



Quick Start Guide

4MP Bullet IP Camera

O4B2M



Welcome

Thank you for purchasing this network camera!

This owner's manual is designed to be a reference tool for your system.

Please read this manual carefully before operating the unit and retain it for future reference.

Should you require any technical assistance, please contact Speco Technologies Technical Support.

Important Safeguards and Warnings

1 . Electrical safety

All installation and operation here should conform to local electrical safety codes.

Use a certified/listed 12VDC Class 2 power supply only.

Please note: Do not connect two power supplying sources to the device at the same time; it may result in device damage! The product must be grounded to reduce the risk of electric shock.

Improper handling and/or installation could run the risk of fire or electrical shock.

2 . Environment

Heavy stress, violent vibration or exposure to water is not allowed during transportation, storage and installation.

This product should be installed in a cool, dry place away from direct sunlight and heat sources.

Do not install the product in extreme temperature conditions.

Do not expose the camera to electromagnetic radiation. Otherwise it may result in CMOS sensor failure.

Do not block any ventilation openings.

Do not allow water and liquid intrusion into the camera.

3. Operation and Daily Maintenance

Please shut down the device and then unplug the power cable before you begin any maintenance work.

Do not touch the CMOS sensor optic component. You can use a blower to clean the dust on the lens surface.

Always use the dry soft cloth to clean the device. If there is too much dust, use a cloth dampened with a small quantity of neutral detergent. Finally use the dry cloth to clean the device.

Please use a professional optical cleaning method to clean the enclosure. Improper enclosure cleaning (such as using cloth) may result in poor IR functionality and/or IR reflection.

The grounding holes of the product are recommended to be grounded to further enhance the reliability of the camera.

Dome cover is an optical device, please don't touch or wipe cover surface directly during installation and use, please refer to the following methods if dirt is found:

Stained with dirt

Use oil-free soft brush or hair dryer to remove it gently.

Stained with grease or fingerprint

Use oil-free cotton cloth or paper soaked with alcohol or detergent to wipe from the lens center outward. Change the cloth and wipe several times if it is not clean enough.

Warning

This camera should be installed by qualified personnel only.

All the examination and repair work should be done by qualified personnel.

Any unauthorized changes or modifications could void the warranty.

Statement

This guide is for reference only.

Product, manuals and specifications may be modified without prior notice. Speco Technologies reserves the right to modify these without notice and without incurring any obligation.

Speco Technologies is not liable for any loss caused by improper operation.

Note:

Before installation, check the package and make sure that all components are included.

Contact your rep or Speco customer service department immediately if something is broken or missing in the package.

| Accessory Name | Amount |
|------------------------------|--------|
| Network Camera Unit | 1 |
| Quick Start Guide | 1 |
| Installation Accessories Bag | 1 |
| CD | 1 |

Table of Contents

| | | |
|-----|--------------------------------|---|
| 1 | Structure | 1 |
| 1.1 | External Cable | 1 |
| 1.2 | Dimensions | 2 |
| 1.3 | Alarm Setup | 2 |
| 2 | Device Installation | 4 |
| 3 | IP Scanner | 6 |
| 3.1 | Operation | 6 |
| 4 | Web Operation..... | 7 |
| 4.1 | Login and Main Interface | 7 |

1 Structure

1.1 External Cable

Note:

You can refer to the following figure for cable information. See Figure 1-1.

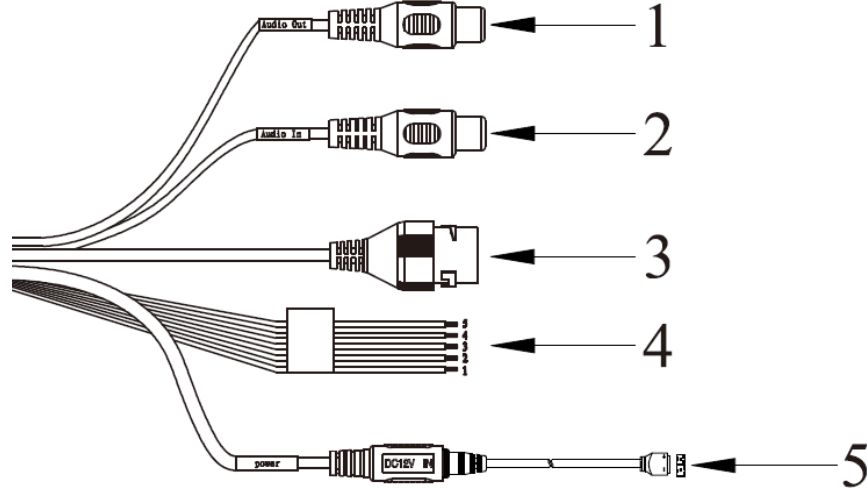


Figure 1-1

Please refer to the following sheet for detailed information.

| No. | Port Name | Function | Connector | Note |
|-----|-----------|-------------------|---------------|---|
| 1 | AUDIO OUT | Audio output port | RCA | Output audio signal to speaker |
| 2 | AUDIO IN | Audio input port | RCA | Input audio signal |
| 3 | LAN | Network port | Ethernet port | Connect to standard Ethernet cable. Supports PoE. |
| 4 | I/O | I/O port | - | Alarm signal input/output. |
| 5 | Power | Power input port | - | Power port. Input DC 12V |

Please refer to the follow sheet for detailed pin information.

| Port Name | SN | Name | Note |
|-----------|----|-----------|---|
| I/O Port | 1 | ALARM_NO | Alarm output port. NO: normally open alarm output port. It must be used with ALARM_COM. |
| | 2 | ALARM_COM | Alarm output public port. |
| | 3 | ALARM_IN1 | Alarm input port 1. It is to receive the on-off signal from the external alarm source. |
| | 4 | ALARM_IN2 | Alarm input port 2. It is to receive the on-off signal from the external alarm source. |
| | 5 | GND | Ground port |

1.2 Dimensions

Note:

Please refer to the following figure for dimension information. The unit is mm. See Figure 1- 2.

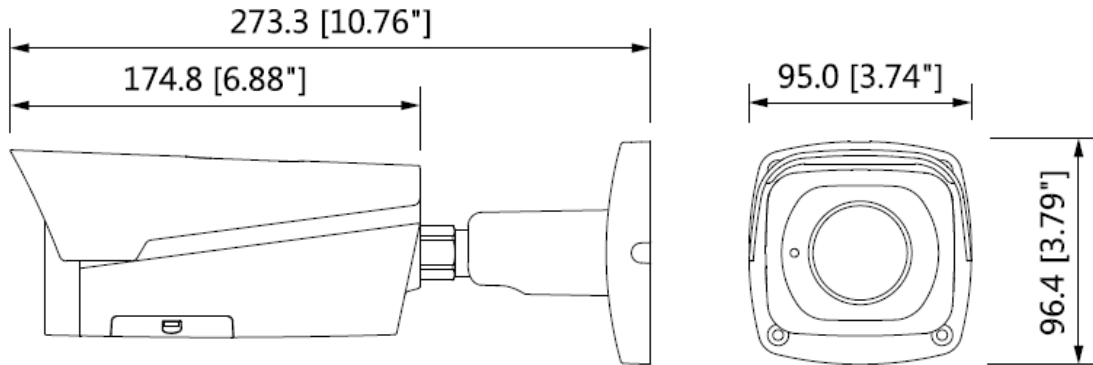


Figure 1-2

1.3 Alarm Setup

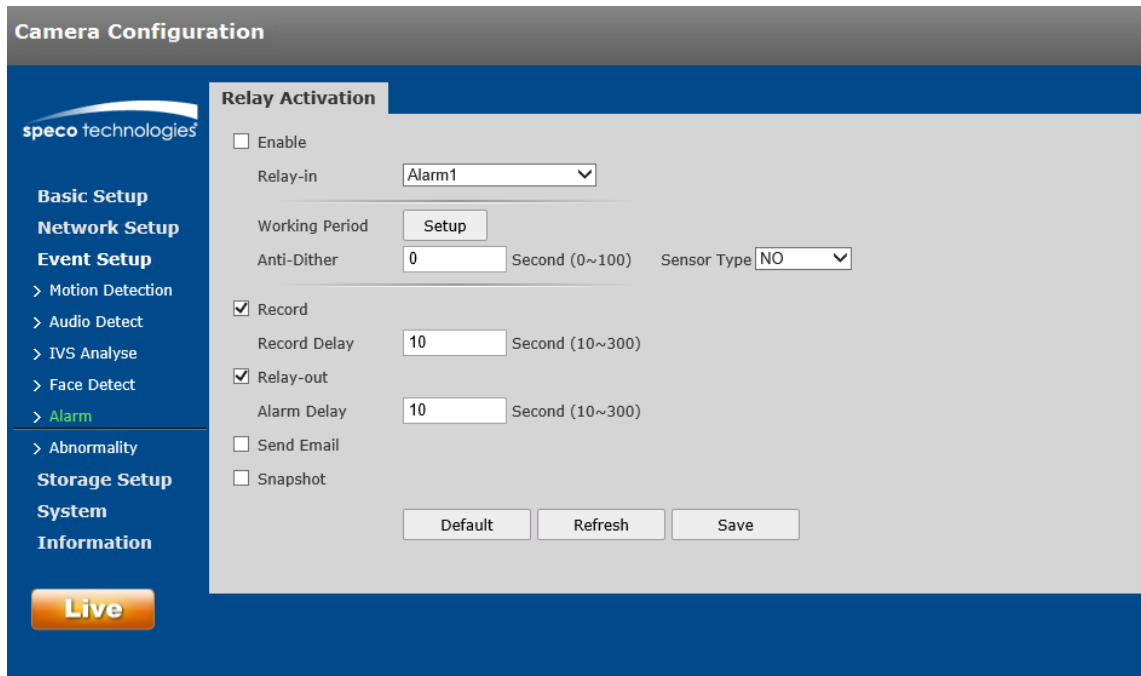


Figure1-3

Alarm input, output description:

- Step 1 Connect alarm input device to the alarm input of the I/O cable.
- Step 2 Connect alarm output device to the alarm output of the I/O cable. Alarm output is an open collector circuit which connects 10K resistor to 3.3V externally.
- Step 3 Open the web viewer and set the alarm input and output correspondingly. When there is an alarm signal, the alarm input device will generate high and low level signals. Set the corresponding type to NO or NC .
- Step 4 Set the alarm output. The alarm output is for the alarm output port of the device.

Please refer to the following figure for alarm input information. See Figure 1-4.

Alarm input: When the input signal is idle or grounded, the device can collect the different status of the alarm input port. When the input signal is connected to 3.3V or it is idle, the device collects logic "1".

When the input signal is grounded, the device collects logic "0".

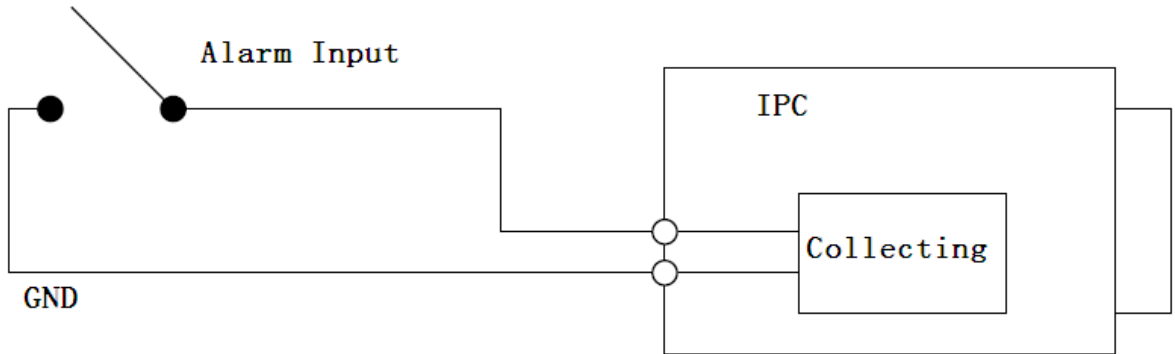


Figure 1-4

Please refer to the following figure for alarm output information. See Figure 1-5

When alarm output is OC, it needs to increase pull-up resistance externally to work normally; output signal is high and low level. After external pull-up resistance is increased, the default of output signal is high level, and it switches to low level when there is alarm output.

The working current of alarm output port is recommended as $\leq 10\text{mA}$. The max current which is used to drive the external circuit is 80mA and it is advised to add a relay if it is beyond the value.

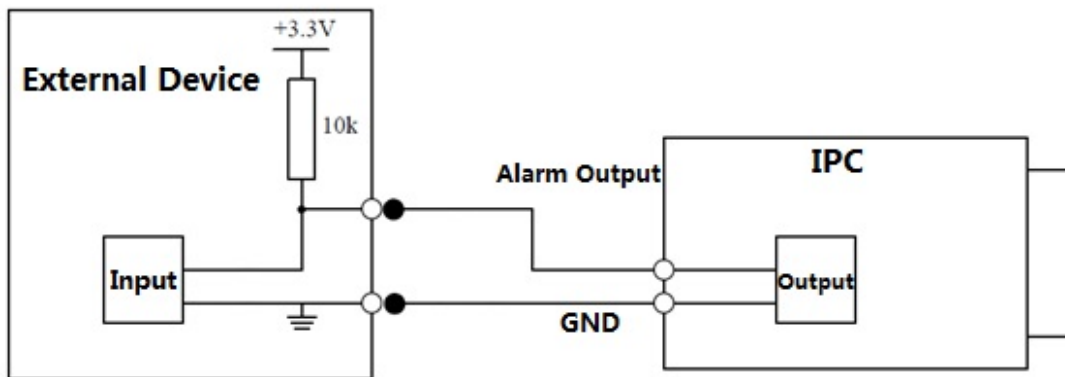


Figure 1-5

2 Device Installation

Note:

- Before installation, please make sure the installation surface can support a minimum of 3 times the weight of the camera

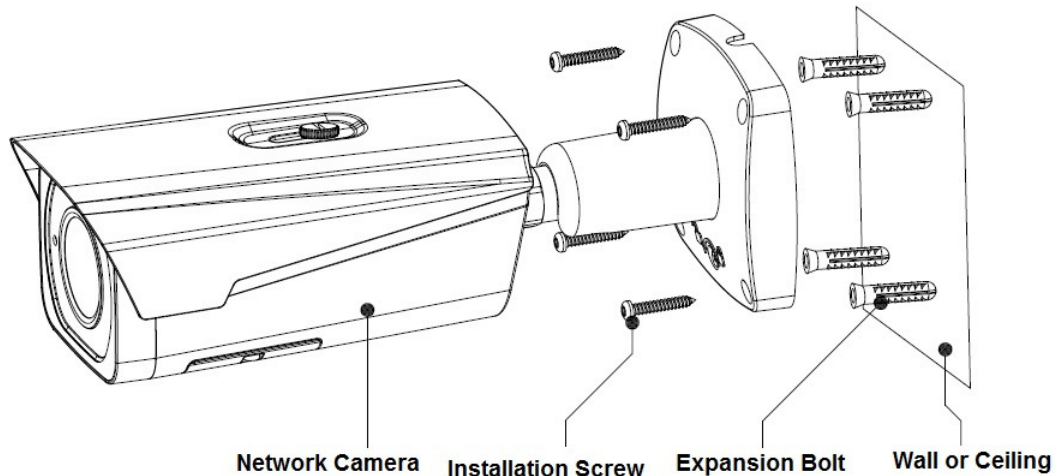


Figure 2-1

Please see Figure 2-1.

Step 1

Stick installation position template to designated surface where you will install the device (wall or ceiling).

Step 2

Drill holes according to the position of the holes marked on the installation template.

Step 3

Insert the expansion bolts into the holes you just drilled.

Step 4

Take out and tighten the screws to fix the device on the installation surface (wall or ceiling). You can move the sunshade back and forth. When you have fixed the device, you must tighten the sunshade.

Step 5

Plug external wiring of the device properly.

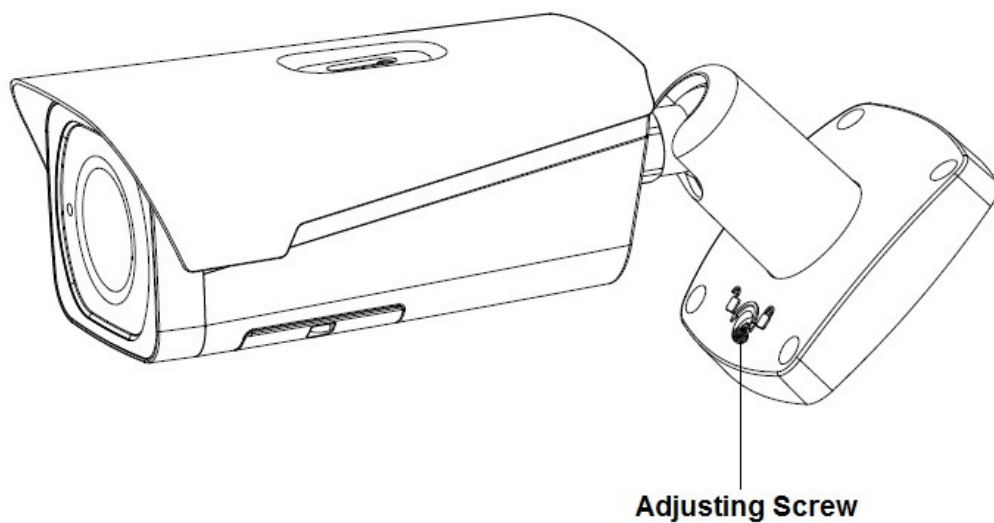


Figure 2-2

Please be sure to loosen the adjusting screw when adjusting the device position and angle, tighten the adjusting screw after adjustment.

Continuous rotation towards the same direction for the camera body has to be within 3 circles.

Step 6

Use screwdriver (in accessories bag) to loosen adjusting screw.

Step 7

Adjust the device in all possible directions, and set its monitoring direction.

Step 8

Use screwdriver to tighten the screws.

3 IP Scanner

IP Scanner can search for the device on the local network.

Please note that only devices that are on the same subnet can be discovered.

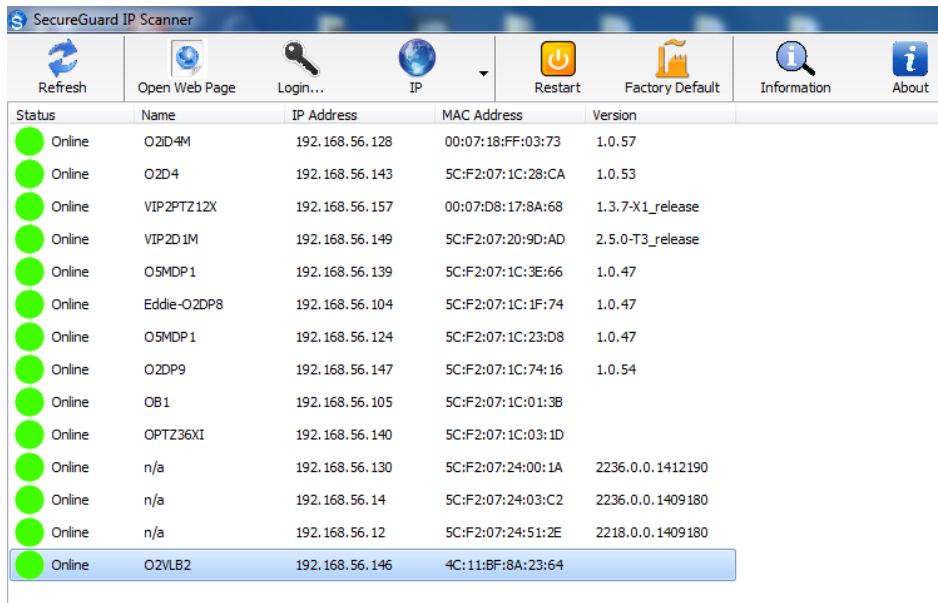
The device is set to DHCP mode by default.

3.1 Operation

Open up IP Scanner.

Error! Reference source not found.

In the device list, you can view the IP address, model number, and MAC address of each device. Select the applicable device and double click to open up the web viewer.



The screenshot shows the 'SecureGuard IP Scanner' application window. At the top, there is a toolbar with icons for Refresh, Open Web Page, Login..., IP (with a dropdown arrow), Restart, Factory Default, Information, and About. Below the toolbar is a table with the following columns: Status, Name, IP Address, MAC Address, and Version. The table lists 15 devices, all with a status of 'Online'. The last row, representing device O2VLB2, is highlighted in blue.

| Status | Name | IP Address | MAC Address | Version |
|--------|-------------|----------------|-------------------|------------------|
| Online | O2D4M | 192.168.56.128 | 00:07:18:FF:03:73 | 1.0.57 |
| Online | O2D4 | 192.168.56.143 | 5C:F2:07:1C:28:CA | 1.0.53 |
| Online | VIP2PTZ12X | 192.168.56.157 | 00:07:D8:17:8A:68 | 1.3.7-X1_release |
| Online | VIP2D1M | 192.168.56.149 | 5C:F2:07:20:9D:AD | 2.5.0-T3_release |
| Online | OSMDP1 | 192.168.56.139 | 5C:F2:07:1C:3E:66 | 1.0.47 |
| Online | Eddie-O2DP8 | 192.168.56.104 | 5C:F2:07:1C:1F:74 | 1.0.47 |
| Online | OSMDP1 | 192.168.56.124 | 5C:F2:07:1C:23:D8 | 1.0.47 |
| Online | O2DP9 | 192.168.56.147 | 5C:F2:07:1C:74:16 | 1.0.54 |
| Online | OB1 | 192.168.56.105 | 5C:F2:07:1C:01:3B | |
| Online | OPTZ36XI | 192.168.56.140 | 5C:F2:07:1C:03:1D | |
| Online | n/a | 192.168.56.130 | 5C:F2:07:24:00:1A | 2236.0.0.1412190 |
| Online | n/a | 192.168.56.14 | 5C:F2:07:24:03:C2 | 2236.0.0.1409180 |
| Online | n/a | 192.168.56.12 | 5C:F2:07:24:51:2E | 2218.0.0.1409180 |
| Online | O2VLB2 | 192.168.56.146 | 4C:11:BF:8A:23:64 | |

Figure 3-1

4 Web Operation

This device supports viewing and management via a web browser on a PC.

4.1 Login and Main Interface

Open the browser and input network camera address in the address bar or double click the device in IP Scanner. See Figure 4- 1.

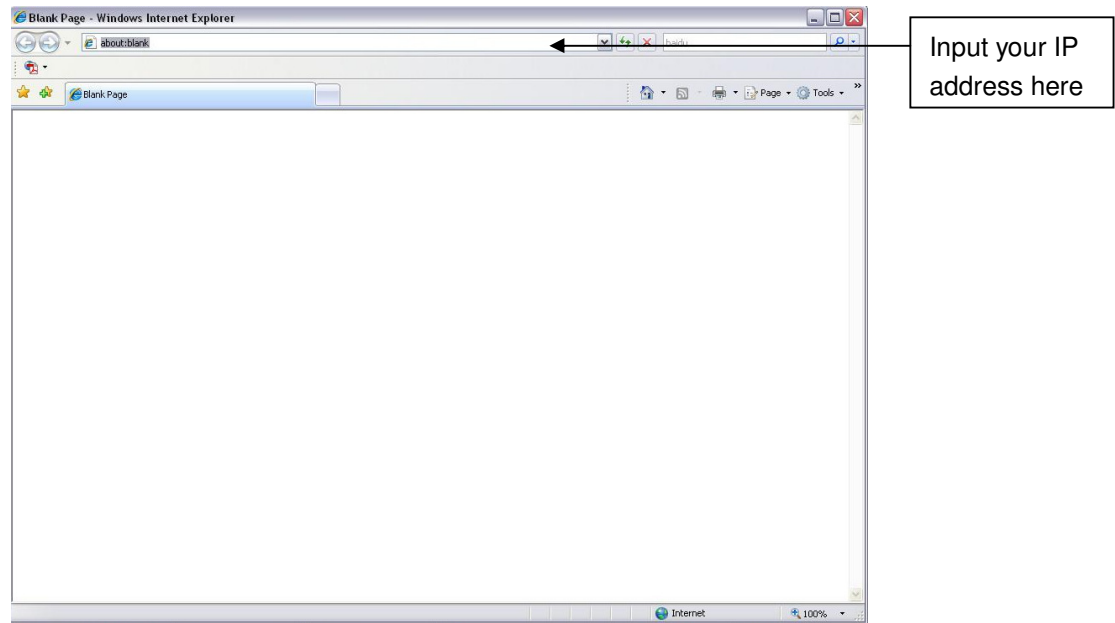


Figure 4- 1 IP address

The login interface is shown as below. See Figure 4- 2.

Please input your user name and password.

Default user name is **admin** and password is **1234**.

Note: For security purposes, please change the password after initial login.

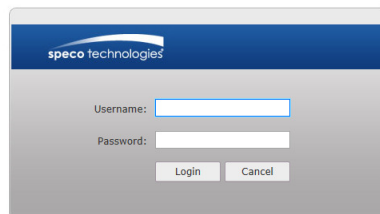
A screenshot of a web login interface. At the top is a blue header with the "speco technologies" logo. Below the header, there are two input fields: "Username:" and "Password:". Below the "Password:" field, there are two buttons: "Login" and "Cancel". The interface has a light gray background.

Figure 4- 2 Web login

After logging in, follow directions to install applicable plugins.