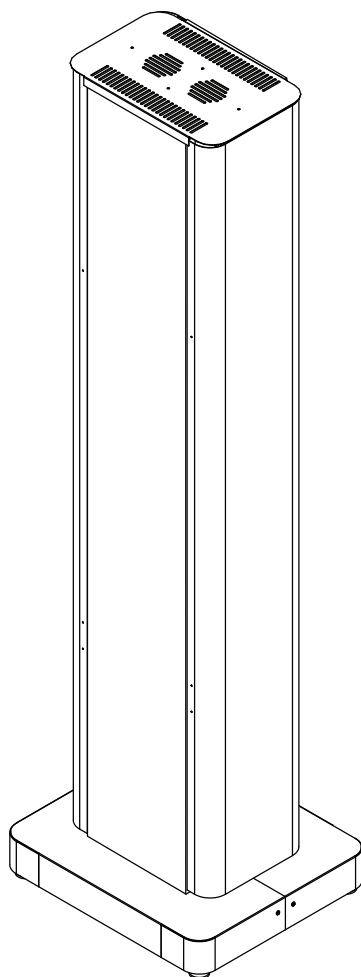
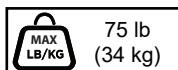
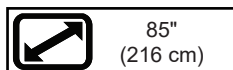


# peerless-AV<sup>®</sup>

## KIP586-1LG, KIP586-1LG-S KIP588-1LG, KIP588-1LG-S



**ENG** This page was intentionally left blank

## ⚠ WARNING

ENG - Do not begin to install product until you have read and understood the instructions and warnings contained in this user guide. Before installing make sure the supporting surface will support the combined load of the equipment and hardware. Screws must be tightly secured. Do not overtighten screws or damage can occur and product may fail. Never exceed the Maximum Load Capacity. Always use an assistant or mechanical lifting equipment to safely lift and position equipment. This product is intended for indoor use only. Use of this product outdoors could lead to product failure or personal injury. To reduce the risk of electric shock or fire, do not expose product to water or moisture. Be sure power cord is routed so that it will not be tripped on, stepped on, or pinched by heavy items. Avoid overloading electrical outlets or extension cords. Always disconnect the power cord from the power outlet when installing, servicing, or not using the product for an extended period of time. Do not block ventilation slots or fan exhaust on product. Blocking airflow could damage product. Arrange product to allow air to flow freely around product. Keep product away from direct sunlight or any source of heat. For support please call 1-800-865-2112.

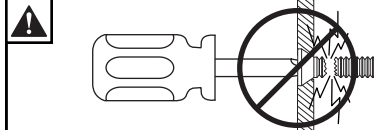
ENG Symbols



ENG WARNING



ENG Screws must get at least three full turns and fit snug.



ENG Do not overtighten screws.

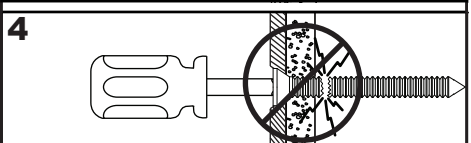
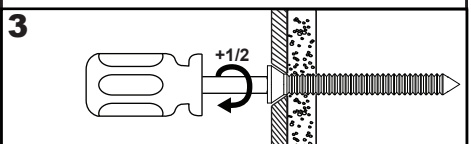
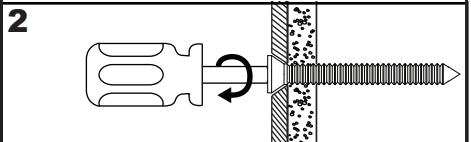
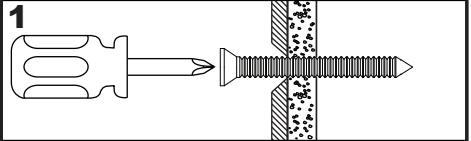
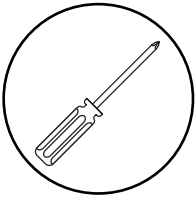


ENG Front of mount.



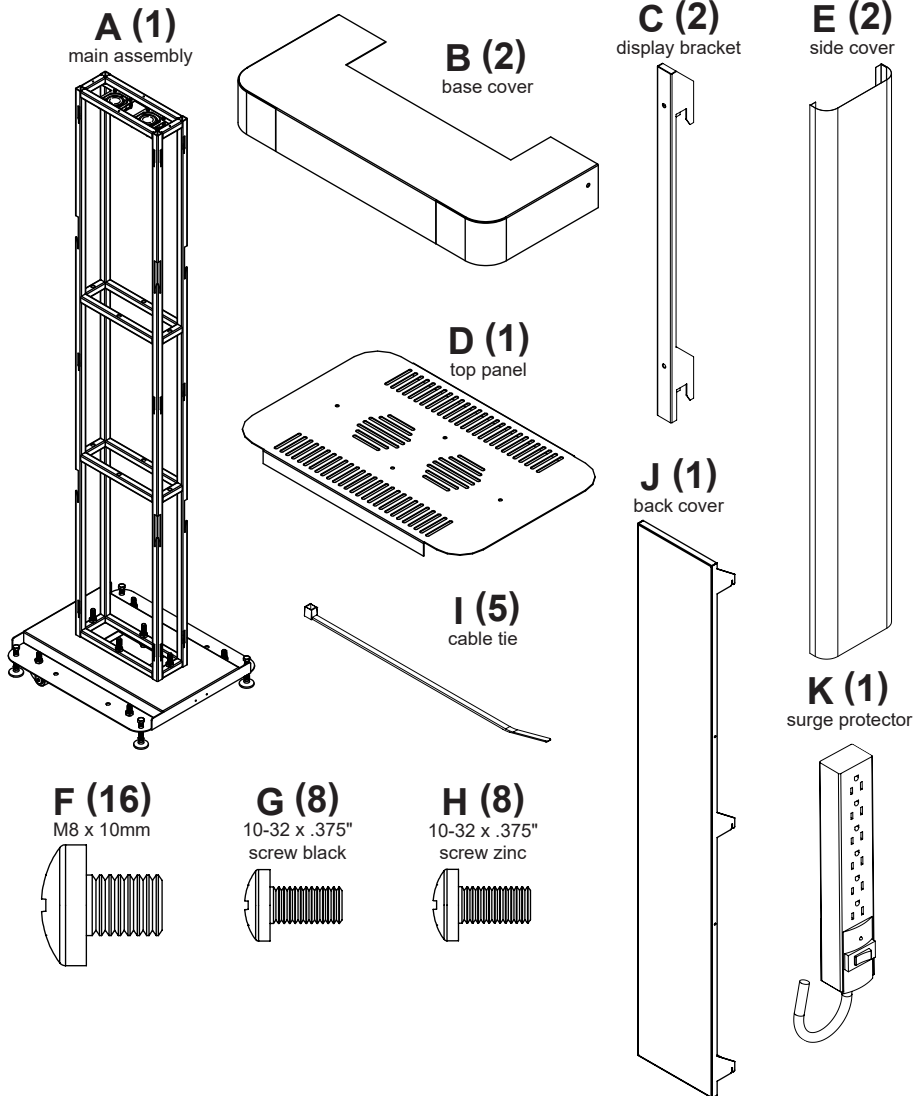
ENG To properly tighten screws: Tighten until screw head makes contact, then tighten another 1/2 turn. Do not overtighten screws.

ENG Tools Needed for Assembly.

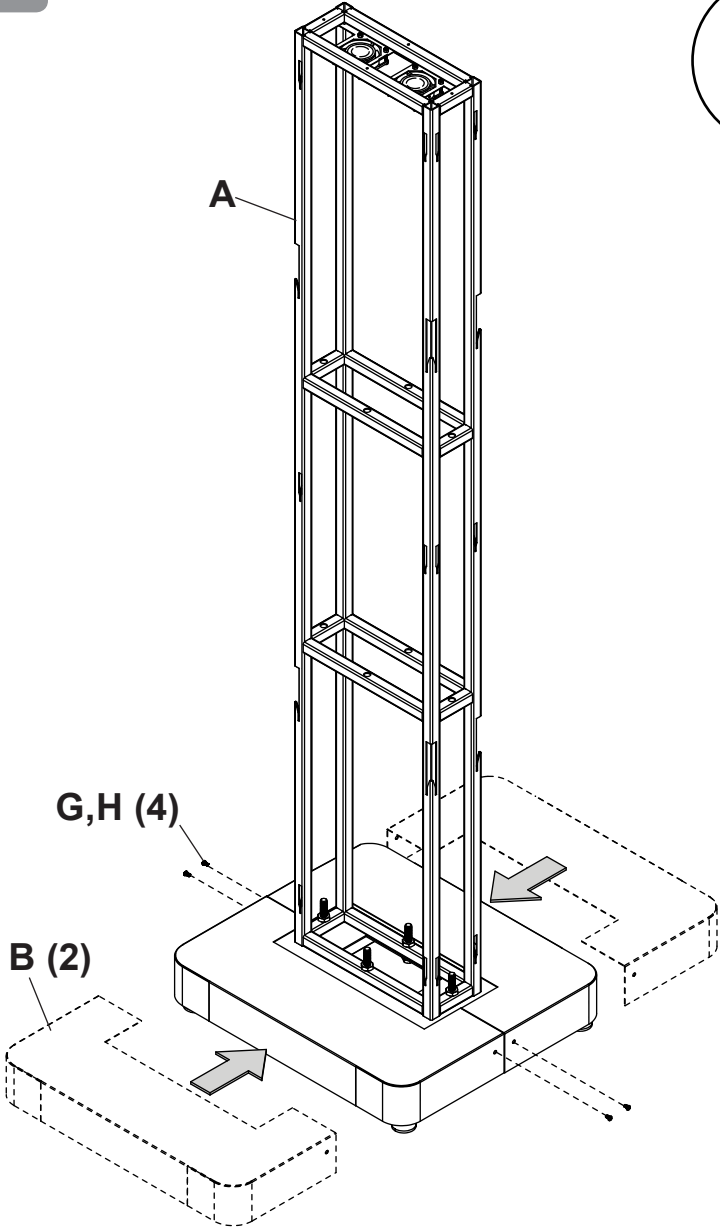
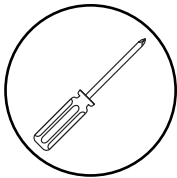


**ENG** Parts (Before beginning, make sure you have all parts shown below).

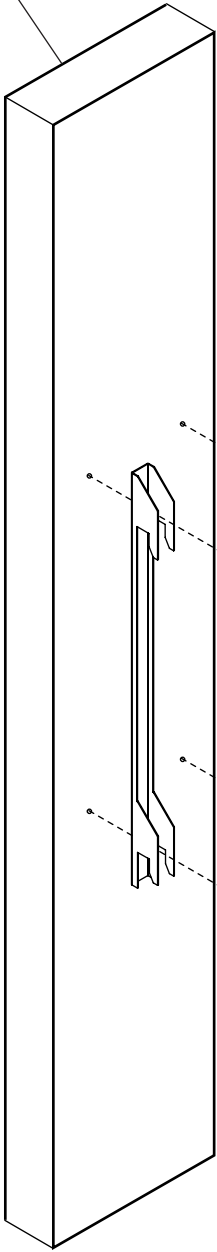
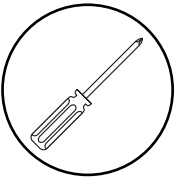
<b>Parts List</b>		<b>KIP586-1LG</b>	<b>KIP586-1LG-S</b>	<b>KIP588-1LG</b>	<b>KIP588-1LG-S</b>
<b>Description</b>	<b>Qty</b>	<b>Part #</b>	<b>Part #</b>	<b>Part #</b>	<b>Part #</b>
<b>A</b> main assembly	1	151-T1279	151-T1279	152-T1441	152-T1441
<b>B</b> base cover	2	151-P1268	151-4268	152-P1437	152-4437
<b>C</b> display bracket	2	151-T1213	151-T1213	151-T1213	151-T1213
<b>D</b> top panel	1	151-P1274	151-4274	152-P1433	152-4433
<b>E</b> side cover	2	151-P1275	151-4275	152-P1432	152-4432
<b>F</b> M8 x 10mm phillips screw	16	520-1605	520-1605	520-1605	520-1605
<b>G</b> #10-32 x .375" phillips screw black	8	520-1130	520-1130	520-1130	520-1130
<b>H</b> #10-32 x .375" phillips screw zinc	8	520-2130	520-2130	520-2130	520-2130
<b>I</b> cable tie	5	590-1168	590-1168	590-1168	590-1168
<b>J</b> back cover	1	151-P1280P	151-4280P	152-P1429	152-4429
<b>K</b> surge protector	1	600-0370	600-0370	600-0370	600-0370



1

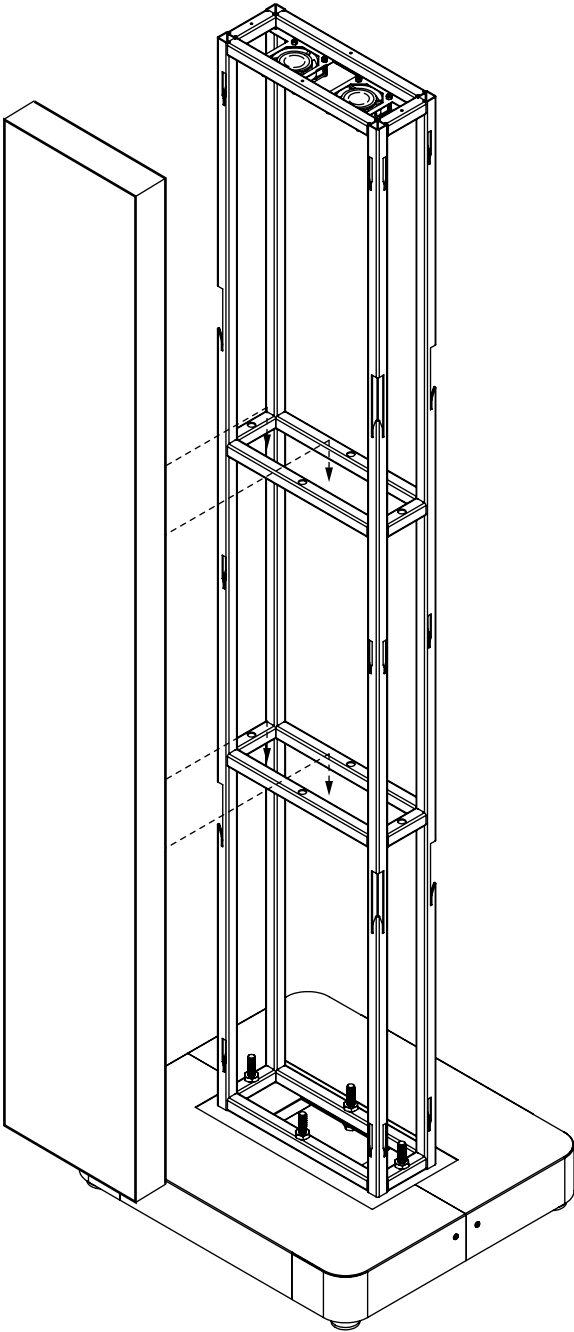


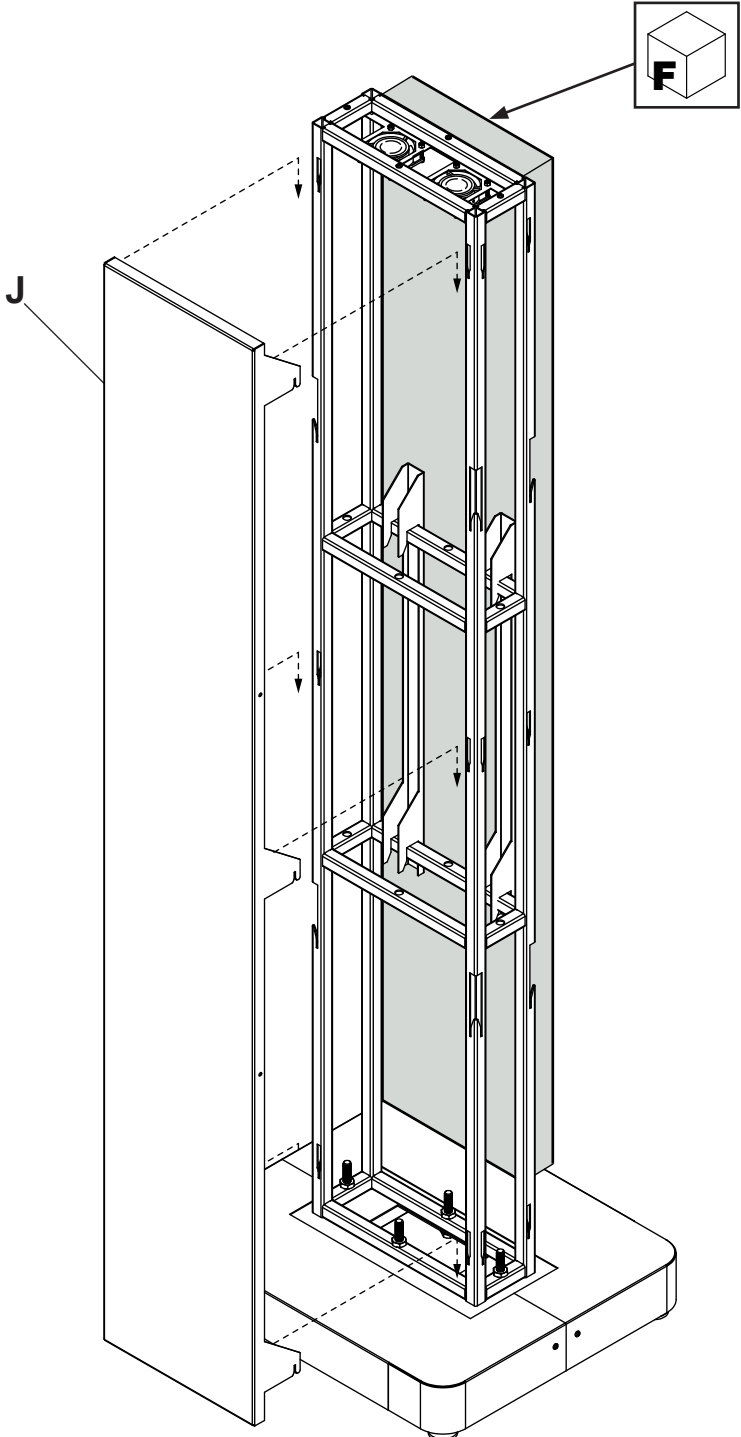
ENG Display



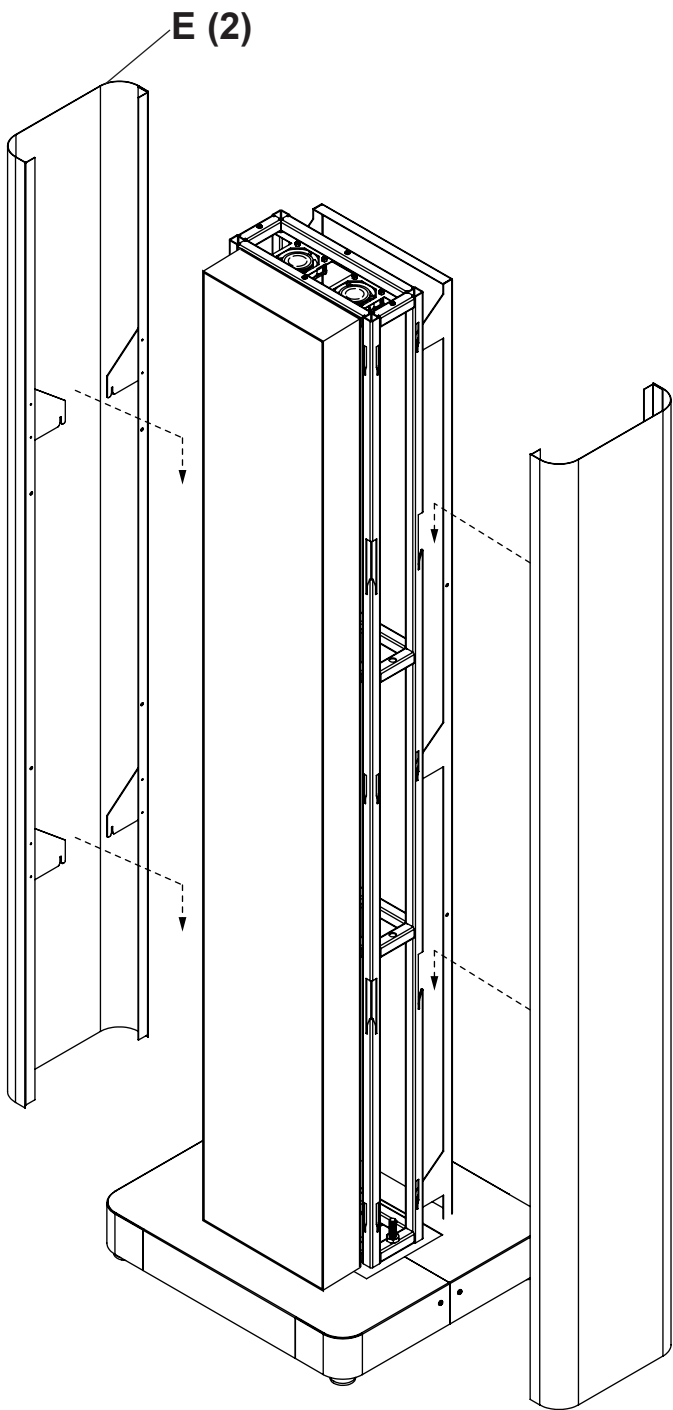
F (4)

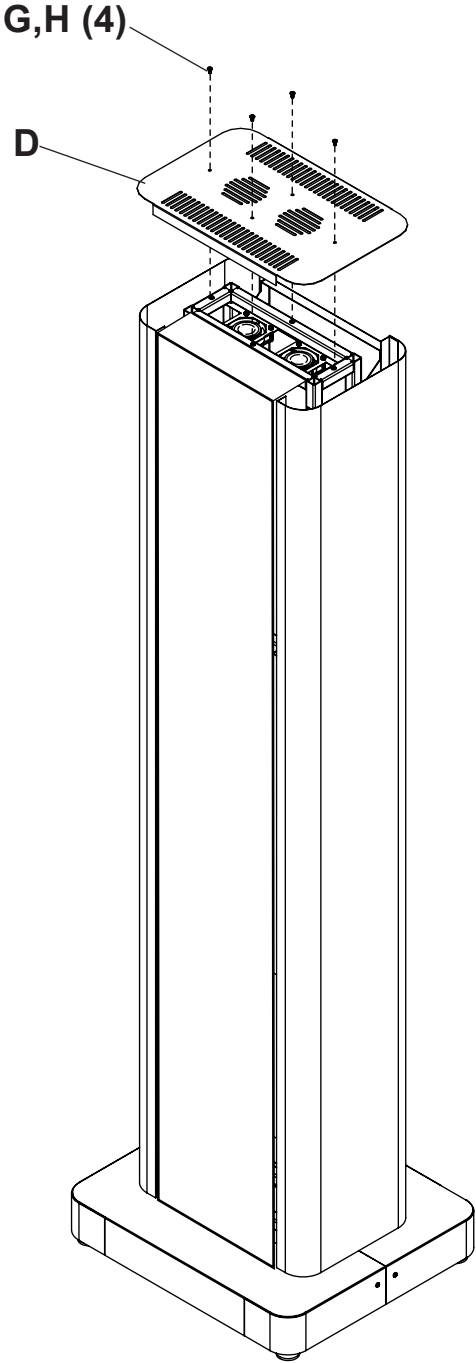
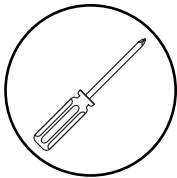
C (2)











## LIMITED FIVE-YEAR WARRANTY

Peerless Industries, Inc. ("Peerless-AV") warrants to original end-users that each Peerless-AV® mounting product will be free from defects in material and workmanship, under normal use, for the applicable warranty period (from date of the original installation of the product). At its option, Peerless-AV will repair or replace, or refund the purchase price of, any product which fails to conform with this warranty.

**Any implied warranty of merchantability or fitness for a particular purpose shall be limited to the period of the express warranty set forth below.**

**In no event shall Peerless-AV be liable for incidental or consequential damages, whether or not secured by a security device which may be included with the product.**

Some states do not allow limitations on how long an implied warranty lasts, or the exclusion of incidental or consequential damages, so the above limitation and/or the above exclusion may not apply to you.

This warranty does not cover damage caused by incorrect selection, installation or the failure to follow Peerless-AV instructions or warnings when installing, using or storing the product.

This warranty gives specific legal rights, and you may also have other rights which vary from state to state. To make a warranty claim in North America, contact Peerless-AV customer care at 1-800-865-2112. See complete global warranty information for regions outside North America at [www.peerless-av.com/en-uk/customer-care/warranties-returns](http://www.peerless-av.com/en-uk/customer-care/warranties-returns).



**Peerless-AV**  
2300 White Oak Circle  
Aurora, IL 60502  
Email: [tech@peerlessmounts.com](mailto:tech@peerlessmounts.com)  
Ph: (800) 865-2112  
Fax: (800) 359-6500  
[www.peerless-av.com](http://www.peerless-av.com)

© 2019, Peerless Industries, Inc.

**Peerless-AV Europe**  
Unit 3 Watford Interchange,  
Colonial Way, Watford, Herts,  
WD24 4WP, United Kingdom  
Customer Care  
44 (0) 1923 200 100  
[www.peerless-av.com](http://www.peerless-av.com)

© 2019, Peerless Industries, Inc.

**Peerless-AV de Mexico**  
Ave de las Industrias 413  
Parque Industrial Escobedo  
Escobedo N.L. Mexico 66062  
Servicio al Cliente  
01-800-849-65-77  
[www.peerless-av.com](http://www.peerless-av.com)

© 2019, Peerless Industries, Inc.