

MOUNTING KEYBOARD MOUNT:

1. TO INSTALL HAVIS KEYBOARD MOUNT, YOU WILL NEED TO ESTABLISH A PROPER LOCATION FIRST. MAKE SURE TO NOT OBSTRUCT ANY FUNCTIONAL/SAFETY DEVICES SUCH AS AIRBAG OR SEATBELT PATHWAYS.

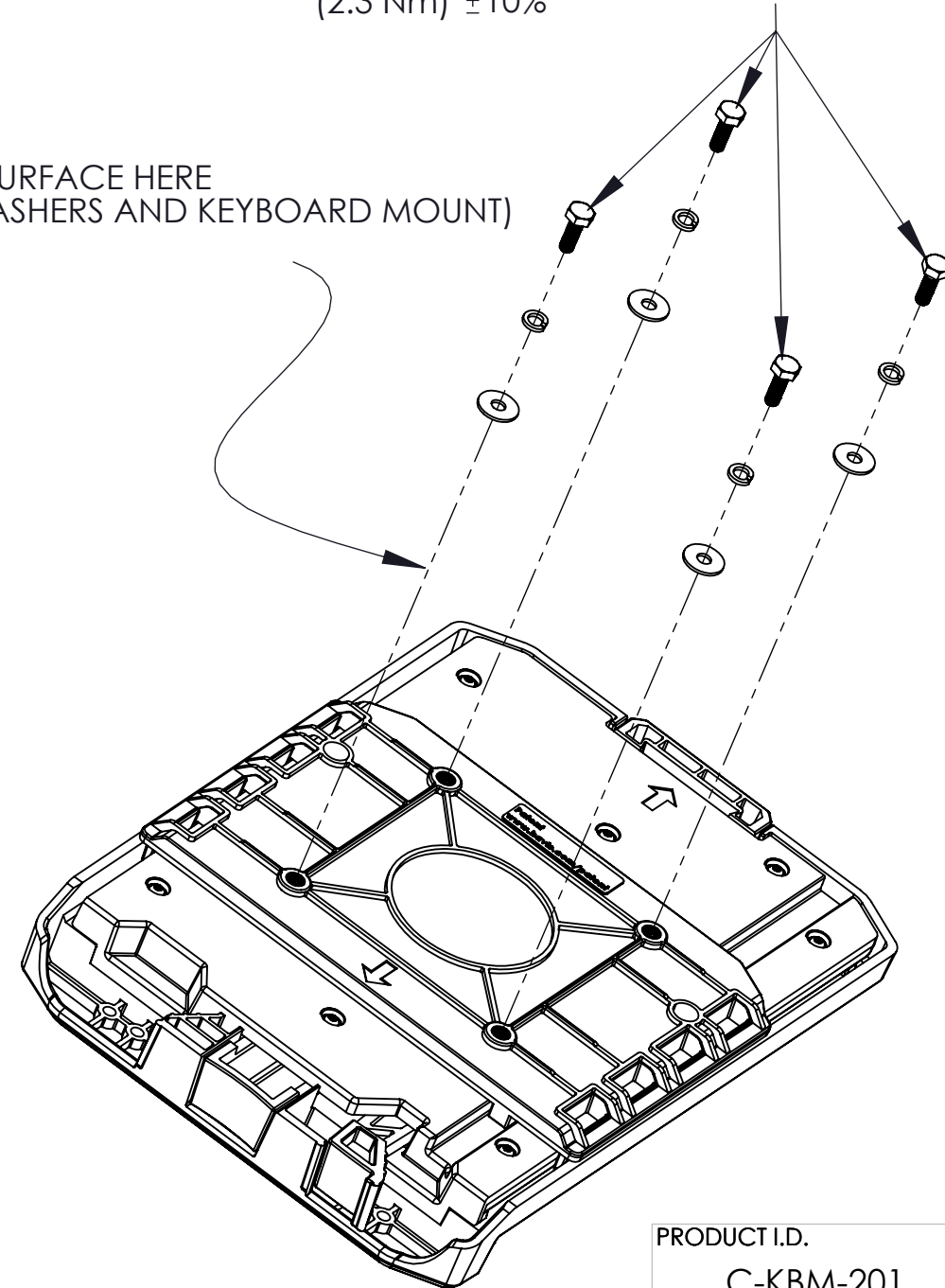
2. POSITION YOUR MOUNTING PLATFORM IN DESIRED KEYBOARD USE AREA. MOUNTING PLATFORM SHOULD HAVE A VESA 75 MOUNTING PATTERN (75mm SQUARE HOLE PATTERN WITH HOLE DIAMETERS OF 5 TO 7 mm).

NOTE: IF INCLUDED HARDWARE KIT IS USED FOR MOUNTING PURPOSES, THEN MOUNTING PLATFORM THICKNESS SHOULD RANGE BETWEEN 0.090" & 0.250" (2.29mm & 6.35mm). OTHERWISE, SUBSTITUTE SUPPLIED SCREWS WITH SIMILAR SCREWS OF APPROPRIATE LENGTH. **BE VERY CAREFUL TO NOT REPLACE SCREWS WITH TOO LONG OF FASTENER. TOO LONG OF FASTENER MAY DAMAGE HAVIS KEYBOARD MOUNT.**

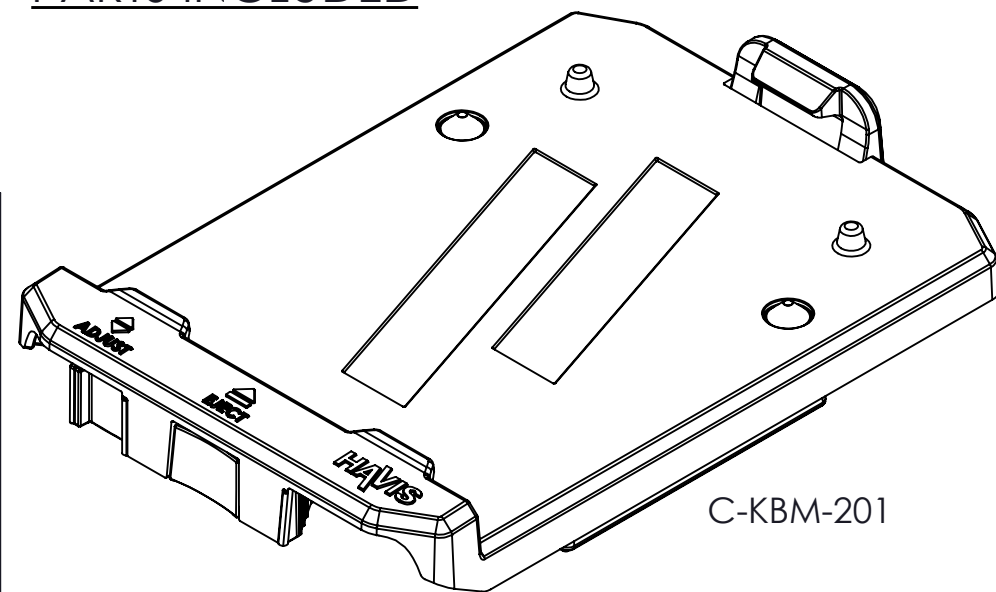
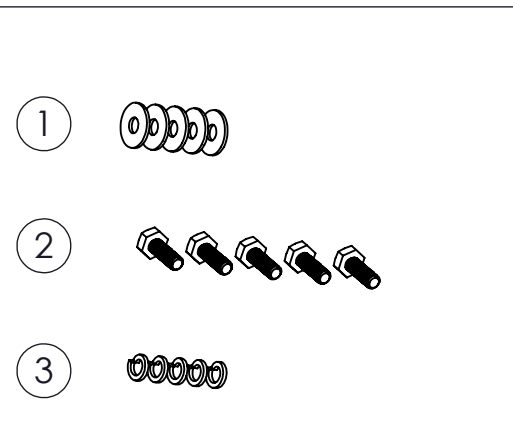
3. FASTEN KEYBOARD MOUNT TO MOUNTING SURFACE WITH PROVIDED HARDWARE (OR APPROPRIATELY SIZED SUBSTITUTE) IN THE ORDER ILLUSTRATED BY PICTURE AT RIGHT.

TORQUE SCREWS TO 20 in-lbs
(2.3 Nm) ±10%

MOUNTING SURFACE HERE
(BETWEEN WASHERS AND KEYBOARD MOUNT)



PARTS INCLUDED



HARDWARE KIT CONTENTS

DESCRIPTION	ITEM #	QTY.	FINISH	DRIVE STYLE/SIZE
WASHER, M4	1	5	NONE	
HEX BOLT, M4-0.7mm X 12mm LENGTH	2	5	NONE	EXTERNAL HEX
LOCK WASHER, M4	3	5	NONE	

DRAWING NUMBER:
C-KBM-201_INST_3-17

WARNING: ALL HAVIS INC. PRODUCTS ARE DESIGNED WITH SAFETY OF USE AND INSTALLATION IN MIND. HOWEVER, IT IS THE SOLE RESPONSIBILITY OF THE OWNER/OPERATOR OF A VEHICLE USING HAVIS INC. MOUNTING AND DOCKING EQUIPMENT, TO INSURE THAT THE EQUIPMENT IS INSTALLED SO THAT IT WILL NOT INTERFERE WITH VEHICLE OPERATION, INTERFERE WITH SAFETY DEVICES, OBSTRUCT VIEW OF DRIVING CONDITIONS, OR IN ANY WAY DEGRADE OCCUPANT SAFETY. IMPROPER INSTALLATION CAN CAUSE SERIOUS INJURY IN THE EVENT OF AN ACCIDENT. INSTALLATION SHOULD ONLY BE PERFORMED BY QUALIFIED PROFESSIONALS. COMPUTERS AND MOTION DEVICES MUST BE MOVED TO AND STOWED/SECURED IN THEIR SAFE DRIVING POSITIONS BEFORE OPERATING VEHICLE.

PRODUCT DESCRIPTION

THIS PRODUCT SUPPLIES A RUGGED-QUICK RELEASE MOUNTING SOLUTION FOR HAVIS KEYBOARD(S) AND ADAPTER(S)

PRODUCT I.D. DATE
C-KBM-201 06-02-16

PRODUCT NAME
HAVIS RUGGED KEYBOARD MOUNT



WEIGHT: (LBS)
0.98
REV. DATE
03-03-17

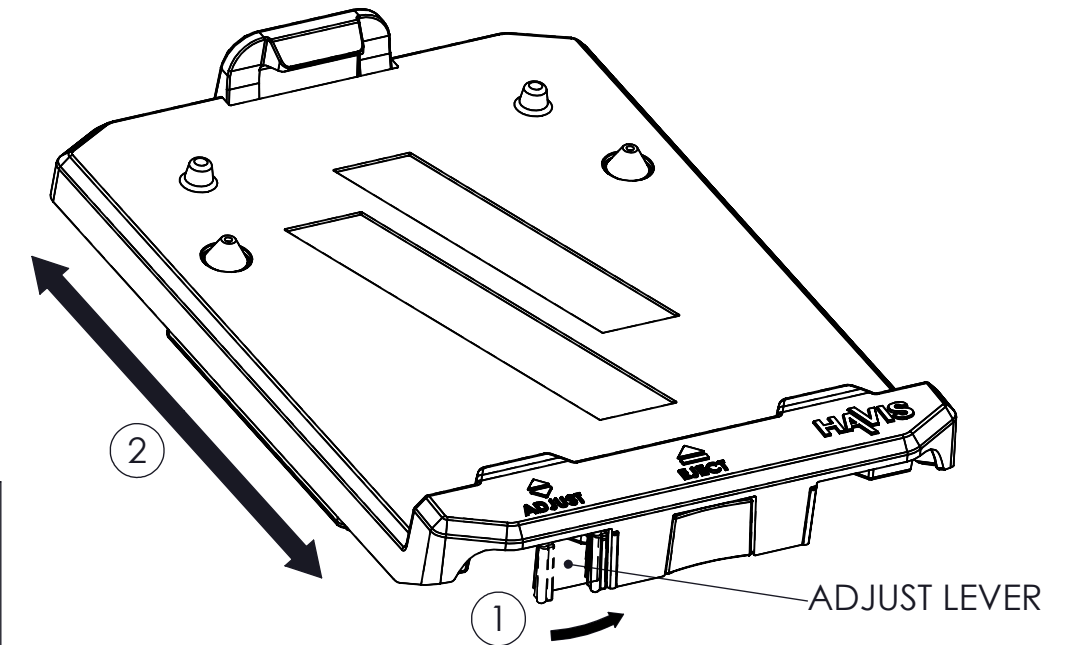
ADJUSTMENT INSTRUCTIONS:

STEP 1. TO ADJUST THE FORE & AFT POSITION OF THE KEYBOARD MOUNT, FIRST, DEPRESS THE ADJUST LEVER.

STEP 2. WHILE ADJUSTMENT LEVER IS BEING DEPRESSED, SLIDE THE MOUNT INTO DESIRED POSITION AS ILLUSTRATED TO THE RIGHT.

STEP 3. RELEASE THE ADJUSTMENT LEVER TO LOCK THE MOUNT INTO DESIRED POSITION.

NOTE: SLIGHT MOVEMENT (BACK AND FORTH) OF MOUNT AFTER RELEASING ADJUSTMENT LEVER MAY BE NECESSARY FOR THE POSITION LOCK TO TAKE PLACE.



DOCKING HAVIS KEYBOARD:

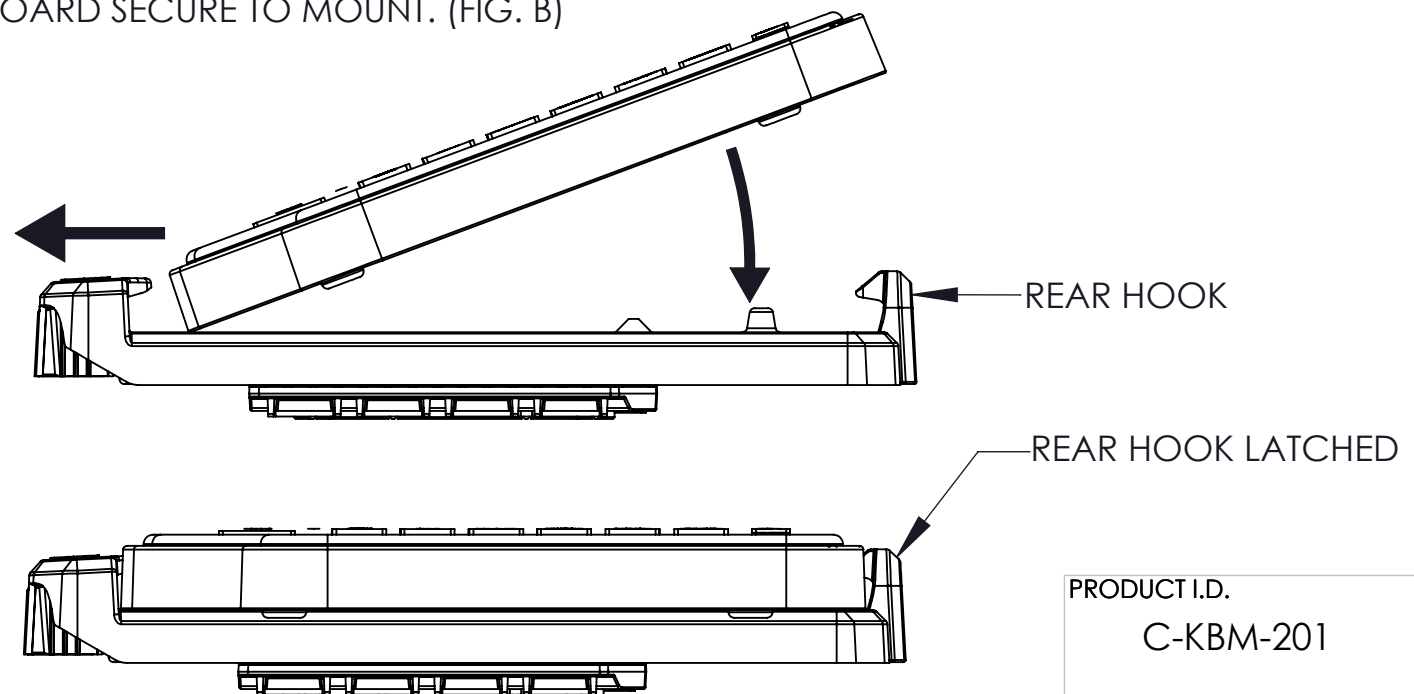
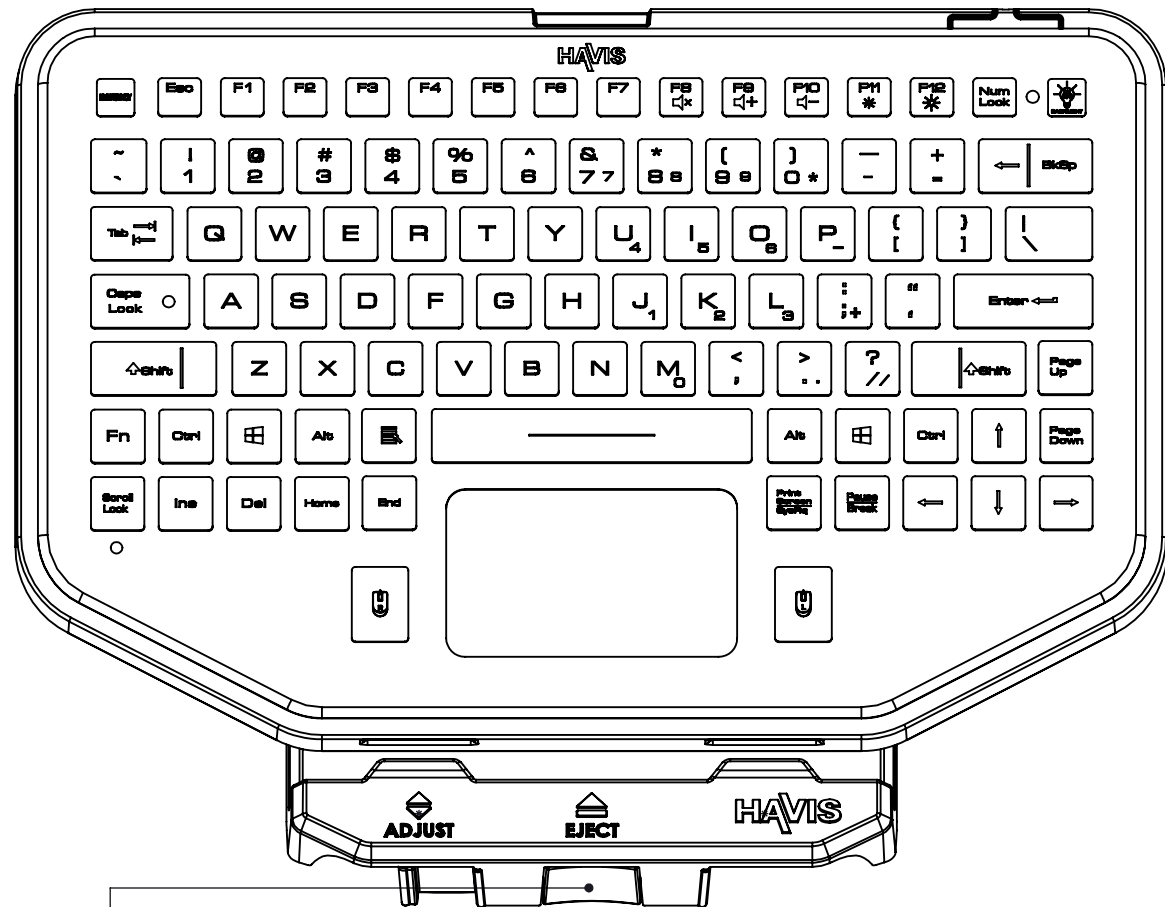
STEP 1. DOCKING KEYBOARD:

ALIGN KEYBOARD'S FRONT SLOTS WITH MOUNT'S LOCATING TABS WHILE ANGLING KEYBOARD INTO MOUNT.

STEP 2. DOCKING KEYBOARD:

ONCE ALIGNED, SLIDE KEYBOARD FORWARD WHILE INTERLOCKING TABS INSIDE OF SLOTS. THEN ROTATE KEYBOARD DOWN SO THAT KEYBOARD IS PARALLEL WITH MOUNT. (FIG. A)

NOTE: REAR HOOK OF MOUNT WILL SNAP INTO A LOCKED POSITION, HOLDING KEYBOARD SECURE TO MOUNT. (FIG. B)



WHEN UNDOCKING KEYBOARD, PUSH & HOLD "EJECT" BUTTON, THEN LIFT KEYBOARD FROM MOUNT.

DRAWING NUMBER:
C-KBM-201_INST_3-17

WARNING: ALL HAVIS INC. PRODUCTS ARE DESIGNED WITH SAFETY OF USE AND INSTALLATION IN MIND. HOWEVER, IT IS THE SOLE RESPONSIBILITY OF THE OWNER/OPERATOR OF A VEHICLE USING HAVIS INC. MOUNTING AND DOCKING EQUIPMENT, TO INSURE THAT THE EQUIPMENT IS INSTALLED SO THAT IT WILL NOT INTERFERE WITH VEHICLE OPERATION, INTERFERE WITH SAFETY DEVICES, OBSTRUCT VIEW OF DRIVING CONDITIONS, OR IN ANY WAY DEGRADE OCCUPANT SAFETY. IMPROPER INSTALLATION CAN CAUSE SERIOUS INJURY IN THE EVENT OF AN ACCIDENT. INSTALLATION SHOULD ONLY BE PERFORMED BY QUALIFIED PROFESSIONALS. COMPUTERS AND MOTION DEVICES MUST BE MOVED TO AND STOWED/SECURED IN THEIR SAFE DRIVING POSITIONS BEFORE OPERATING VEHICLE.

PRODUCT DESCRIPTION

THIS PRODUCT SUPPLIES A RUGGED-QUICK RELEASE MOUNTING SOLUTION FOR HAVIS KEYBOARD(S) AND ADAPTER(S)

PRODUCT I.D. C-KBM-201	DATE 06-02-16
---------------------------	------------------

PRODUCT NAME HAVIS RUGGED KEYBOARD MOUNT	
---	--

HAVIS

1-800-524-9900
WWW.HAVIS.COM

WEIGHT: (LBS) 2.54
REV. DATE 03-03-17