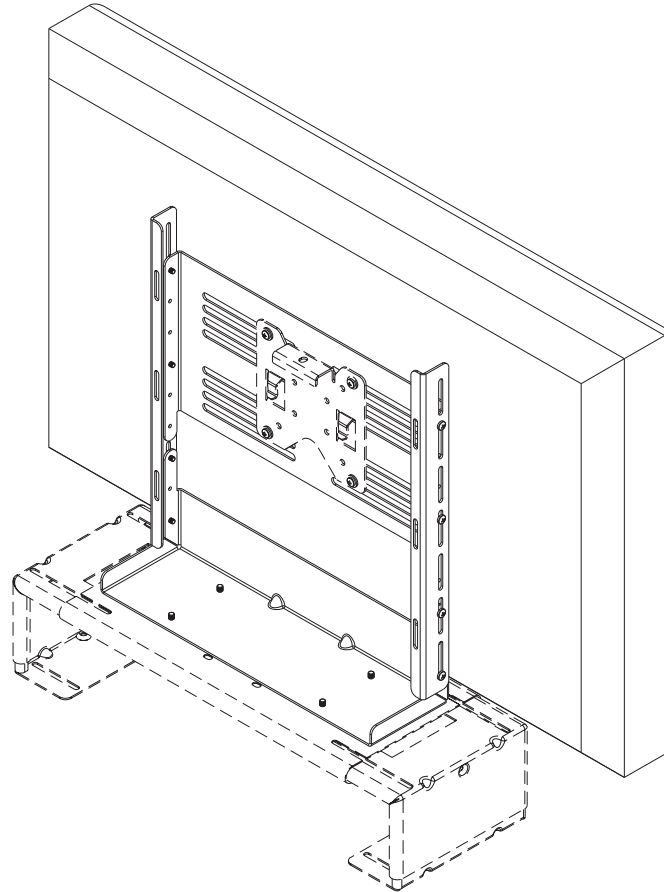




Installation and Assembly: DVD/VCR Mount Connector

Model: ACC517



NOTE: Read entire instruction sheet before you start installation and assembly.

⚠ WARNING

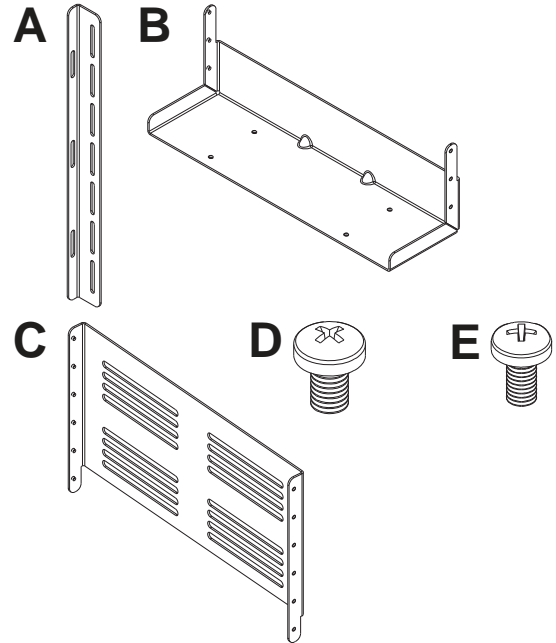
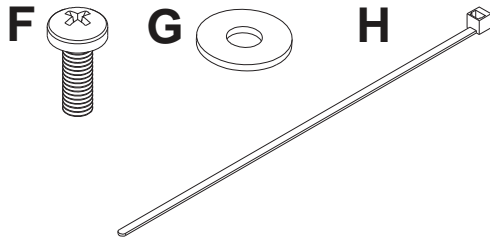
- Do not begin to install your Peerless product until you have read and understood the instructions and warnings contained in this Installation Sheet. If you have any questions regarding any of the instructions or warnings, please call Peerless customer care at 1-800-729-0307.
- This product should only be installed by a qualified professional.
- Make sure that the wall will safely support the combined load of the equipment and all attached hardware and components.
- Always use an assistant or mechanical lifting equipment to safely lift and position equipment.
- Tighten screws firmly, but do not overtighten. Overtightening can damage the items, greatly reducing their holding power.

Before you begin, make sure all parts shown are included with your product.

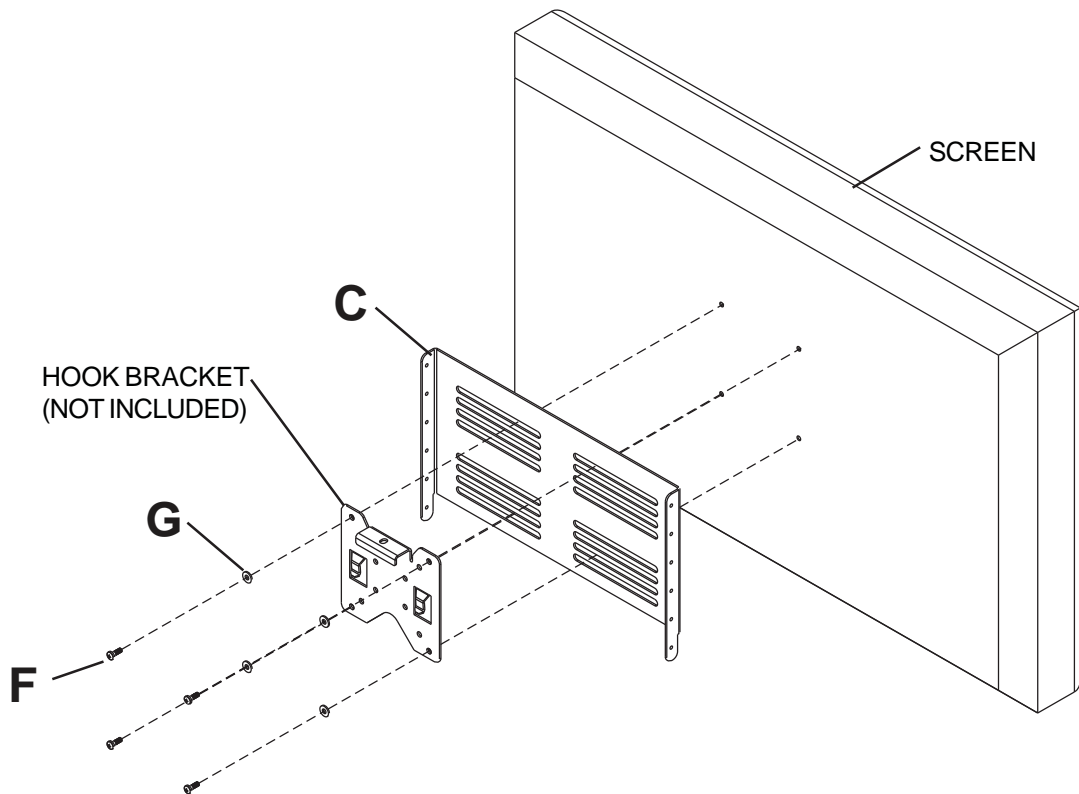
Parts List

Description	Qty.	Part #
A vertical bracket	2	201-1552
B bracket mount tray	1	201-1551
C hanging bracket	1	201-1554
D M5 x 8 mm phillips screw	4	570-0005
E M4 x 8 mm phillips screw	8	520-1237
F M4 x 12 mm phillips screw	4	504-9013
G #8 SAE flat washer	4	540-1001
H cable tie	6	560-9711

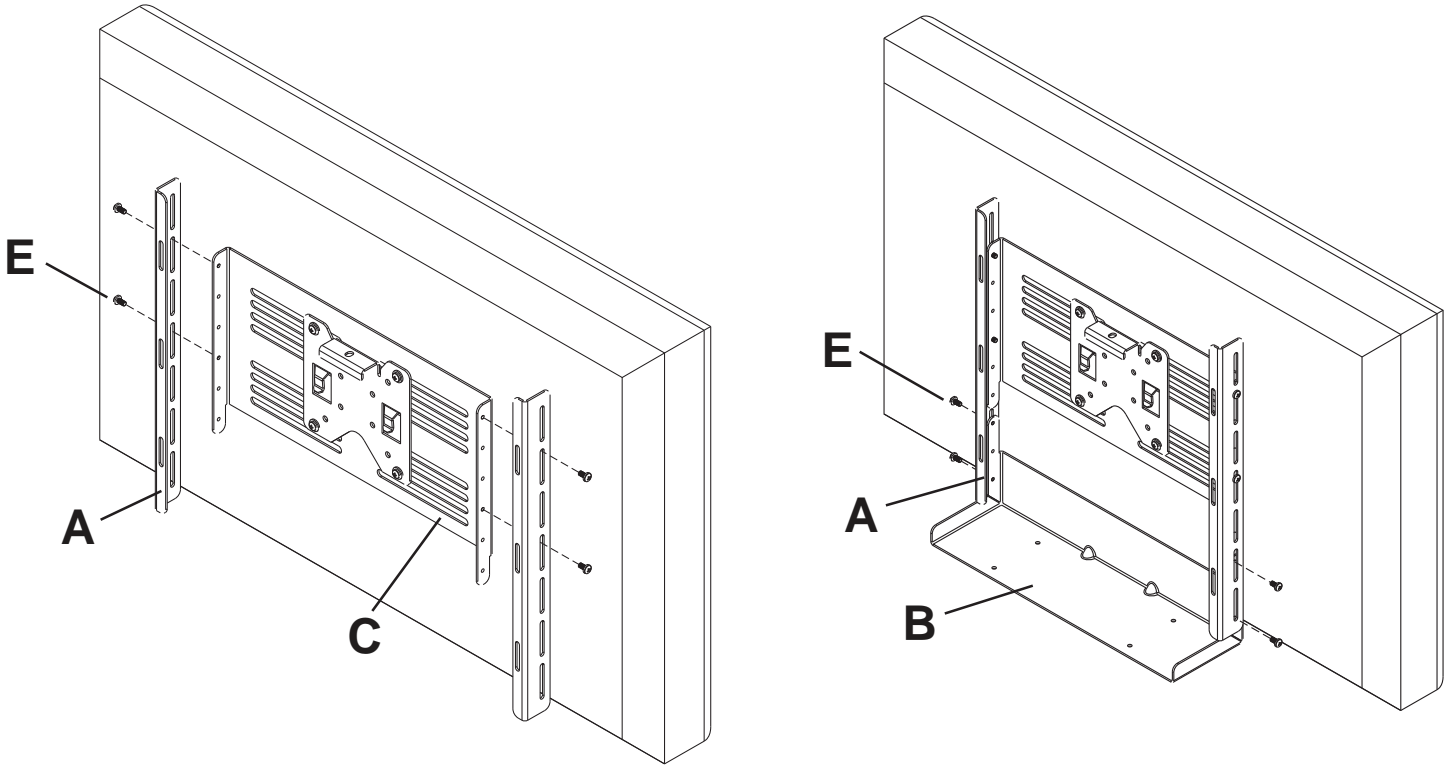
Parts may appear slightly different than illustrated.



1 Attach hook bracket (not included) and hanging bracket (C) to screen with four M4 x 12 mm phillips screws (F) and #8 SAE flat washers (G).



- 2** Attach two vertical brackets (A) to hanging bracket (C) with four M4 x 8 mm phillips screws (E).
- 3** Attach bracket mount tray (B) to vertical brackets (A) with four M4 x 8 mm phillips screws (E).



- 4** Attach VCR mount (not included) to bracket mount tray (B) with four M5 x 8 mm phillips screws (D). Use cable ties (H) for cord management once screen is attached to mount.
NOTE: Follow main instruction sheet to attach screen to mount.

