



Full Motion Easy-Adjust Universal Tablet Mount Installation Guide

Introduction

The *Full Motion Easy-Adjust Universal Tablet Mount* enables you to mount smartphones or tablets onto desktops or other smooth surfaces easily and quickly.

Specifications

- Product weight: 1.10 lbs
- Device holder adjustment: 4.7" to 8.2"
- Loading weight capacity: ≤ 2.20 lbs
- C-clamp adjustment: 0.27" to 1.49"
- Height (from base to center of holder): 18"

LOT Number Sticker

For future product return or exchange, this LOT number is required. Please keep it for your reference.

--	--

LOT Number

Part Number

Key Features and Benefits

- Full motion articulating tablet/smartphone desktop mount frees you from holding the device to maximize your comfort while reading articles or watching videos
- Retractable holding bracket expands up to 8.2" with side openings allows easy device installing/removing and cable connection
- Fits most 7" to 12" tablets, including iPad, iPad Mini, iPad Air and Samsung Tab series
- Supports multi-direction 360° rotate, swivel, and tilt for the best ergonomic viewing position
- Articulating aluminum arm allows up to 13" height adjustment
- Includes both C-clamp and heavy-duty suction cup for easy and secure installation onto most surfaces without drilling
Conveniently located C-clamp knob accessible from the top for easy setup
- Protective pads fully integrated into device holder and clamp protects device from scratching, falling or slipping

Package Contents

- *Full Motion Easy-Adjust Universal Tablet Mount - Black/White*
- C-clamp
- Suction cup
- Wire clip (x4)
- 3-in-1 allen key
- Installation Guide

Layout

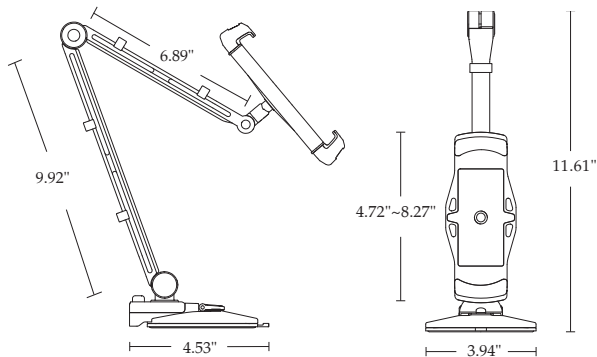


Figure 1: Full Motion Easy-Adjust Universal Tablet Mount

Installation Instructions

C-clamp Mount

1. Position the C-clamp to the desktop and adjust it according to the thickness of the desktop by turning the clamp screw.
2. Tighten the C-clamp to the desktop by turning the clamp screw clockwise.

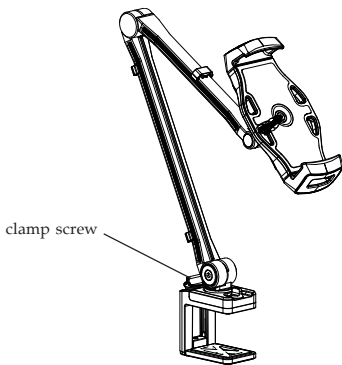


Figure 2

Suction Cup Mount

1. Disconnect the *wall stand* from the C-clamp by releasing the bolt.
2. Connect the *wall stand* into the hole of suction cup.
3. Use the included bolt and fasten it.
4. Place the *wall stand* on a smooth flat surface and press the semi-circle locker to secure the mount.

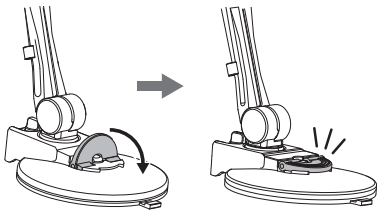


Figure 3

Adjustment & Cable Management

Rotation

Adjust to the desired position using the included 3-in-1 allen key.

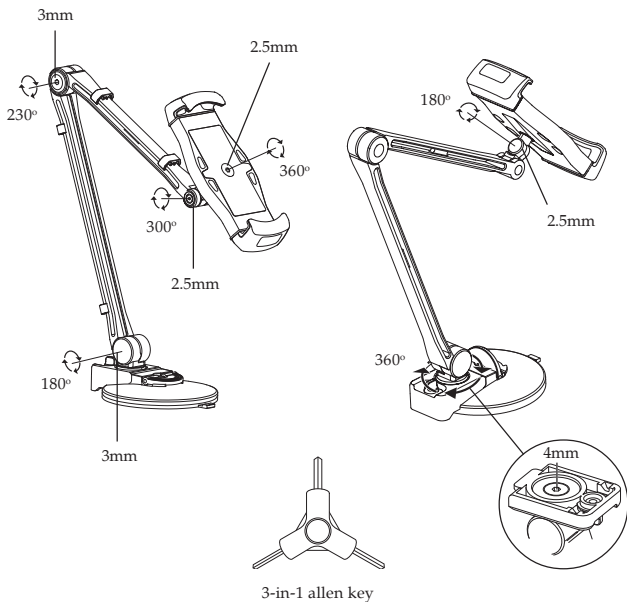


Figure 4

Device Holder

Adjust the width to fit your tablet or smartphone.

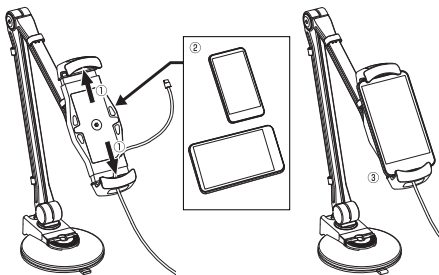


Figure 5

Cable Management

Arrange the cables into the cable covers and down the tube using the included wire clips.

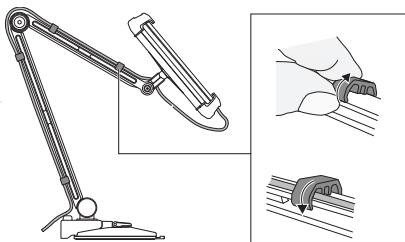


Figure 6

Maintenance

After a period of time, the suction cup will lose holding strength due to the accumulation of dirt and dust. It is recommended to remove and clean the suction cup with cold water every 2 months to maintain proper holding strength.

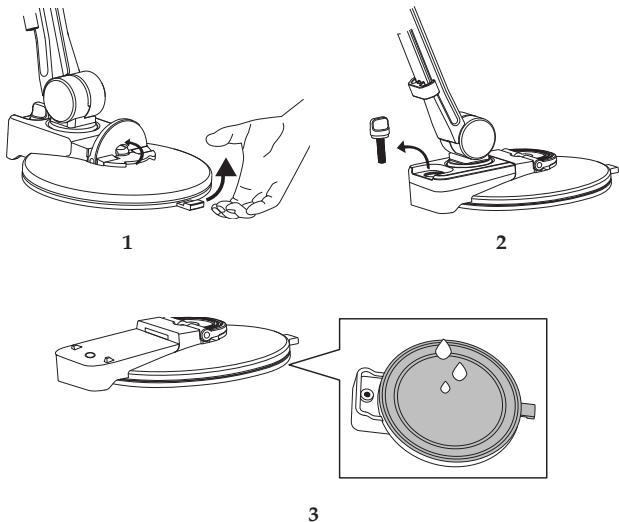


Figure 7

Notice

- DO NOT assemble/disassemble the *Tablet Mount* by yourself
- DO NOT wash with hot water
- DO NOT place the suction cup on a rough surface or one prone to vibration or movement, as these conditions may cause the mount to fall unexpectedly
- Keep out of reach of children

Blank Page

Technical Support and Warranty

QUESTIONS? SIIG's **Online Support** has answers! Simply visit our web site at www.siig.com and click **Support**. Our online support database is updated daily with new drivers and solutions. Answers to your questions could be just a few clicks away. You can also submit questions online and a technical support analyst will promptly respond.

SIIG offers a 2-year manufacturer warranty with this product. This warranty covers the original purchaser and guarantees the product to be free of any defects in materials or workmanship for two (2) years from the date of purchase of the product.

SIIG will, at our discretion, repair or replace (with an identical product or product having similar features and functionality) the product if defective in materials or workmanship. This warranty gives you specific legal rights, and you may also have other rights which vary from state to state. Please see our web site for more warranty details.

If you encounter any problems with this product, please follow the procedures below.

A) If it is within the store's return policy period, please return the product to the store where you purchased from.

B) If your purchase has passed the store's return policy period, please follow the steps below to have the product repaired or replaced.

Step 1: Submit your RMA request.

Go to www.siig.com, click **Support**, then **RMA** to submit a request to [SIIG RMA](#) or fax a request to 510-657-5962. Your RMA request will be processed, if the product is determined to be defective, an RMA number will be issued.

Step 2: After obtaining an RMA number, ship the product.

- Properly pack the product for shipping. All accessories that came with the original package must be included.
- Clearly write your RMA number on the top of the returned package. SIIG will refuse to accept any shipping package, and will not be responsible for a product returned without an RMA number posted on the outside of the shipping carton.
- You are responsible for the cost of shipping to SIIG. Ship the product to the following address:

SIIG, Inc.
6078 Stewart Avenue
Fremont, CA 94538-3152, USA
RMA #: _____

- SIIG will ship the repaired or replaced product via Ground in the U.S. and International Economy outside of the U.S. at no cost to the customer.

About SIIG, Inc.

Founded in 1985, SIIG, Inc. is a leading manufacturer of IT connectivity solutions (including Serial ATA and Ultra ATA Controllers, FireWire, USB, and legacy I/O adapters) that bridge the connection between Desktop/Notebook systems and external peripherals. SIIG continues to grow by adding A/V and Digital Signage connectivity solutions to our extensive portfolio.

SIIG products offer comprehensive user manuals, many user-friendly features, and are backed by an extensive manufacturer warranty. High quality control standards are evident by the overall ease of installation and compatibility of our products, as well as one of the lowest defective return rates in the industry. SIIG products can be found in computer retail stores, mail order catalogs, through major distributors, system integrators, and VARs in the Americas and the UK, and through e-commerce sites.

PRODUCT NAME

Full Motion Easy-Adjust Universal Tablet Mount - Black/White

FCC RULES: TESTED TO COMPLY WITH FCC PART 15, CLASS B
OPERATING ENVIRONMENT: FOR HOME OR OFFICE USE

FCC COMPLIANCE STATEMENT:

This device complies with part 15 of the FCC Rules. Operation is subject to the following two conditions: (1) This device may not cause harmful interference, and (2) this device must accept any interference received, including interference that may cause undesired operation.

THE PARTY RESPONSIBLE FOR PRODUCT COMPLIANCE

SIIG, Inc.

6078 Stewart Avenue

Fremont, CA 94538-3152, USA

Phone: 510-657-8688

Full Motion Easy-Adjust Universal Tablet Mount - Black/White is a trademark of SIIG, Inc. SIIG and the SIIG logo are registered trademarks of SIIG, Inc. All other names used in this publication are for identification only and may be trademarks of their respective owners.