

## Lockable Floor Stand for iPad

STNDTBLT1FS



\*actual product may vary from photos

FR: Guide de l'utilisateur - [fr.startech.com](http://fr.startech.com)  
DE: Bedienungsanleitung - [de.startech.com](http://de.startech.com)  
ES: Guía del usuario - [es.startech.com](http://es.startech.com)  
NL: Gebruiksaanwijzing - [nl.startech.com](http://nl.startech.com)  
PT: Guia do usuário - [pt.startech.com](http://pt.startech.com)  
IT: Guida per l'uso - [it.startech.com](http://it.startech.com)

For the latest information, technical specifications, and support for this product, please visit [www.startech.com/STNDTBLT1FS](http://www.startech.com/STNDTBLT1FS).

# Table of Contents

<b>Introduction</b> .....	<b>1</b>
Product diagram.....	1
Tablet holder dimensions.....	1
Tablet stand dimensions .....	2
Tablet base dimensions .....	2
Package contents.....	3
Installation requirements.....	4
<b>Assembly</b> .....	<b>4</b>
Assemble the base.....	4
Attach the tablet holder to the pole .....	6
Assemble the tablet holder .....	8
Place the tablet in the tablet holder.....	12
Attach the tablet stand to the floor.....	13
<b>Technical support</b> .....	<b>15</b>
<b>Warranty information</b> .....	<b>15</b>

# Introduction

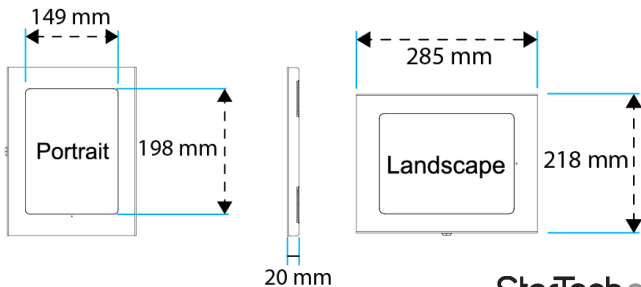
The STNDTBLT1FS is a rugged and durable fixed-height tablet stand that you can use as a stand-alone kiosk or as an informational display. The tablet stand features a lockable tablet holder for increased security, and a base that you can screw into the floor to create a stationary holder. The tablet stand is designed to display tablets in either a portrait or landscape position.

The STNDTBLT1FS can support up to two pounds of weight.

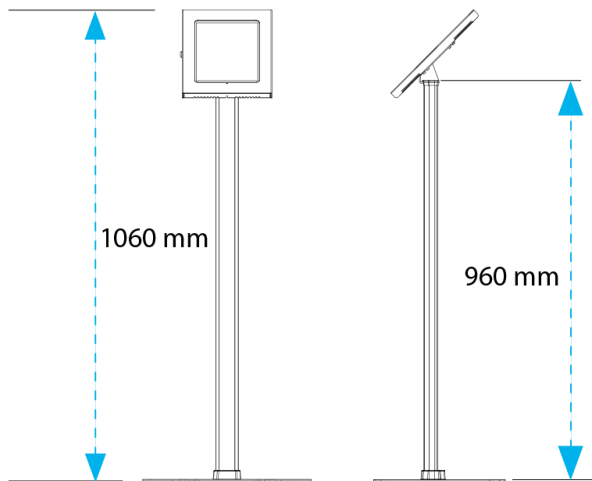
## Product diagram



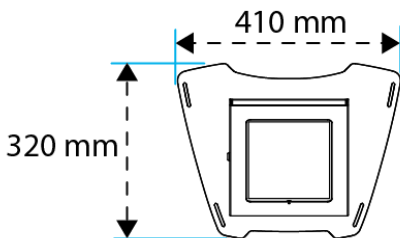
## Tablet holder dimensions



## Tablet stand dimensions

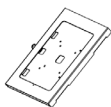


## Tablet base dimensions



# Package contents

1



Tablet holder  
Qty: One

2



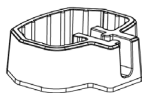
Keys  
Qty: Two

3



Base  
Qty: One

4



Base connector  
Qty: One

5



Connecting block  
Qty: One

6



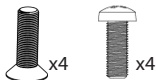
Pole  
Qty: One

7



Rubber feet  
Qty: Four

8



M6 screws  
Qty: Eight

9



M4 screws  
Qty: Four

10



Allen key  
Qty: One

11



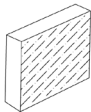
Anchor screws  
Qty: Four

12



Anchors  
Qty: Four

13



Foam pads  
Qty: Six

14



Foam blocks  
Qty: Six

15



Instruction manual  
Qty: One

## Installation requirements

- The STNDTBLT1FS is designed for 9.7 in. iPad, iPad Air, and iPad Pro tablets.
- A USB charging cable at least 6 feet in length.
- A Phillips screwdriver.
- A drill with a 1/4 in. drill bit (if you attach the tablet stand to the floor).
- A hammer (if you attach the tablet stand to the floor).

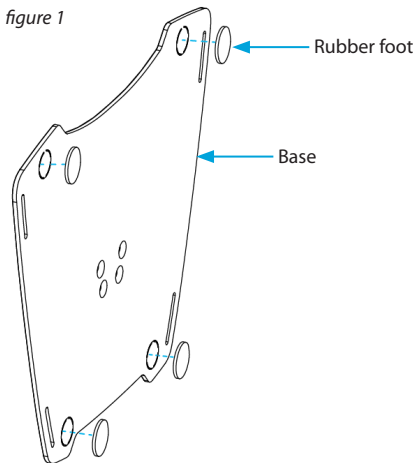
For the latest requirements, please visit [www.startech.com/STNDTBLT1FS](http://www.startech.com/STNDTBLT1FS).

## Assembly

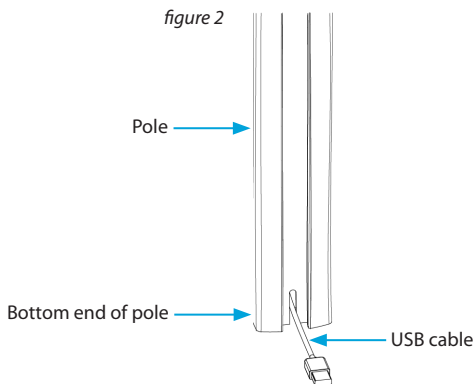
Make sure that all of the hardware is assembled securely and checked for stability before you load the tablet into the tablet holder.

### Assemble the base

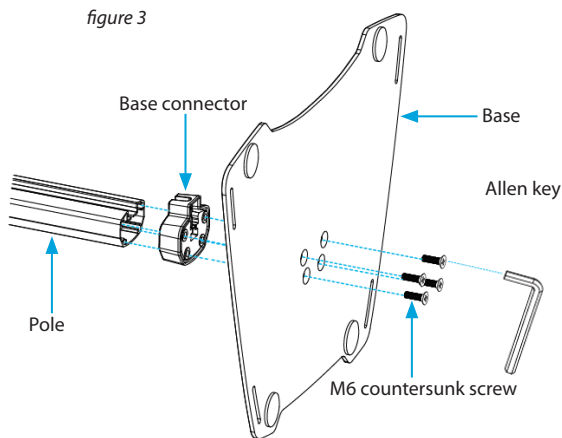
1. Remove the plastic backing from the four rubber feet (7) and attach them to the base (3) in the areas indicated (*figure 1*).



2. Run the USB cable that you intend to use to supply power to the tablet through the pole (6) (figure 2).



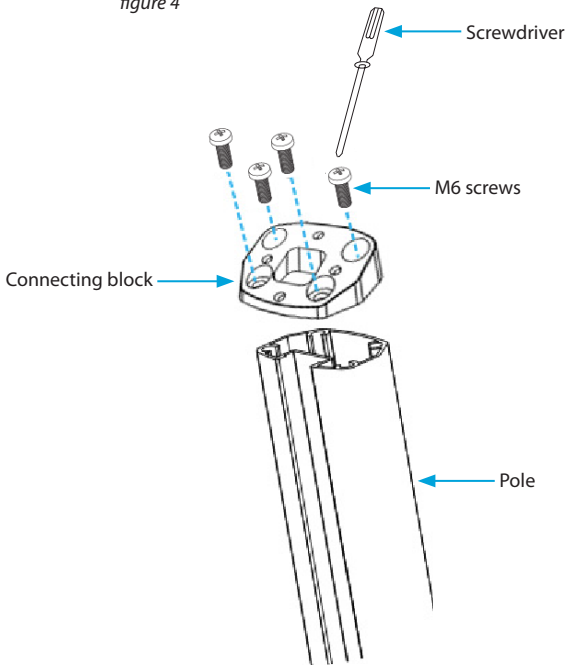
3. Insert the four countersunk M6 screws (8) through the holes on the bottom of the base, into the base connector (4), and into the pole (figure 3).
4. To tighten the screws, use the Allen key (10) to turn the screws clockwise.



## Attach the tablet holder to the pole

1. Place the connecting block (5) on top of the pole (6) so that the four holes on the connecting block line up with the four holes in the pole.
2. Insert the remaining four M6 screws (8) through the connecting block and into the pole (*figure 4*).
3. To tighten the screws, use a Phillips screwdriver to turn the screws clockwise.

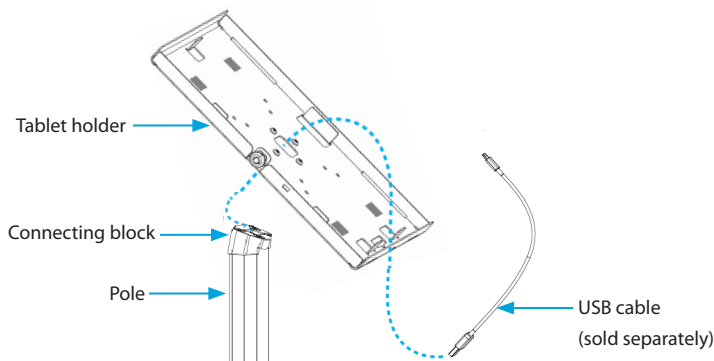
*figure 4*



4. Before you attach the tablet holder, make sure that you thread the USB cable through the end of the pole and the middle hole in the tablet holder (*figure 5*).



figure 5



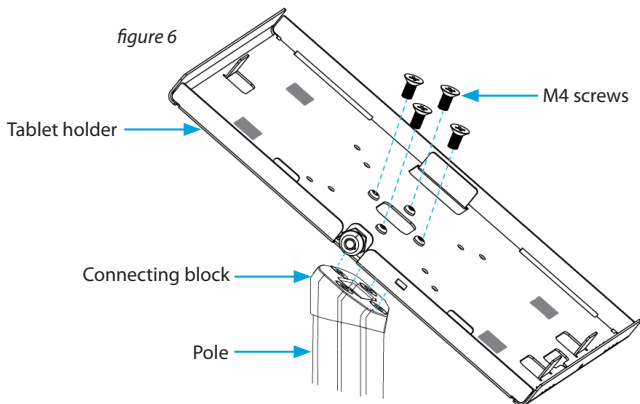
5. Place the tablet holder (1) on top of the connecting block so that the four holes on the tablet holder line up with the four holes on the collecting block.

**Note:** You can attach the tablet holder in a portrait or a landscape position.

6. Insert the four M4 screws (9) through the tablet holder and into the connecting block (figure 6).

7. To tighten the screws, use a screwdriver to turn the screws clockwise.

figure 6



## Assemble the tablet holder

The tablet holder is designed for iPad, iPad Air, and iPad Pro tablets, however, you can use the foam pads and blocks in order to fit other types of tablets.

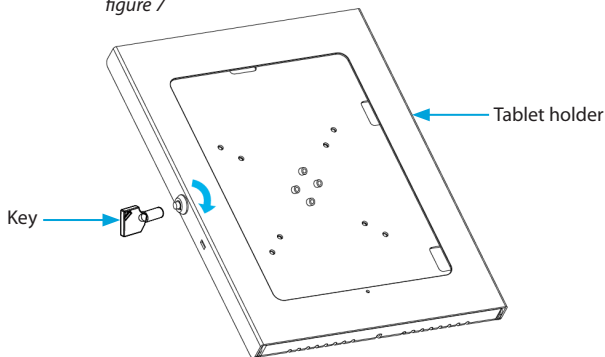
The opening in the tablet holder measures 198 mm by 149 mm.

### iPad

If you intend to use an iPad in the tablet holder, place the foam pads and blocks in the formation described below.

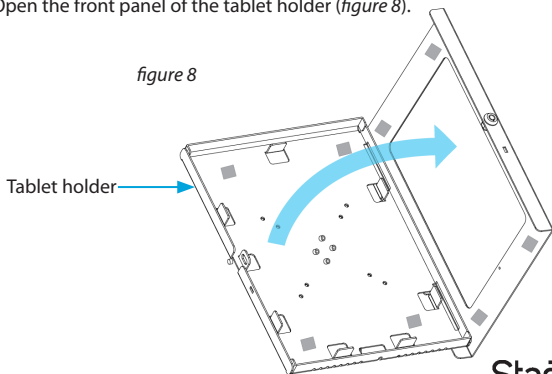
1. Use one of the keys (2) to unlock the tablet holder (1) (*figure 7*).

*figure 7*

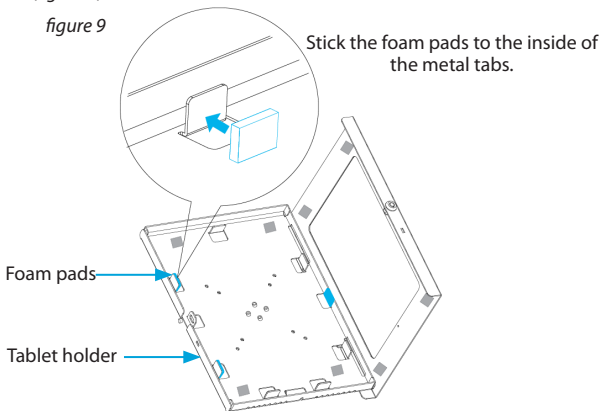


2. Open the front panel of the tablet holder (*figure 8*).

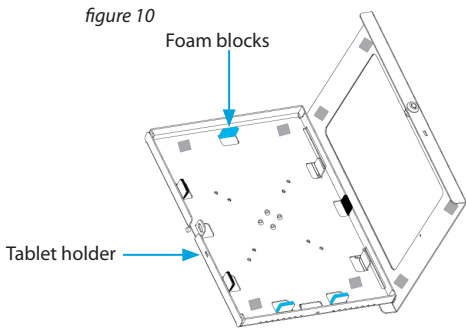
*figure 8*



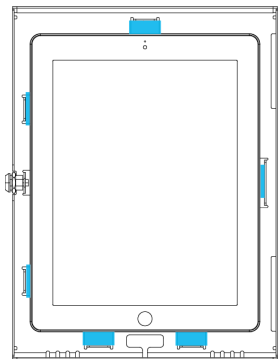
3. Remove the backing from three of the foam pads (13).
4. On the left side of the tablet holder, stick two of the foam pads to the inside of the metal tabs.
5. On the right side of the tablet holder, stick one of the foam pads to the inside of the metal tab (*figure 9*).



6. Remove the backing from three of the foam blocks (14).
7. At the top of the tablet holder, stick one of the foam blocks to the inside of the metal tab.
8. At the bottom of the tablet holder, stick two of the foam blocks to the inside of the metal tabs (*figure 10*).



When you're done affixing the pads and blocks, the tablet holder should look like this:

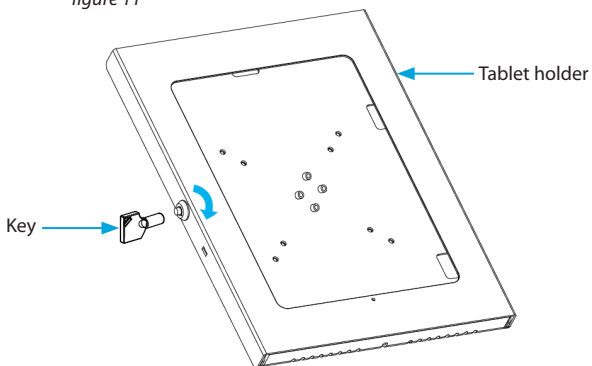


### iPad Air and iPad Pro

If you intend on using an iPad Air or an iPad Pro in the tablet holder, place the foam blocks in the formation described below.

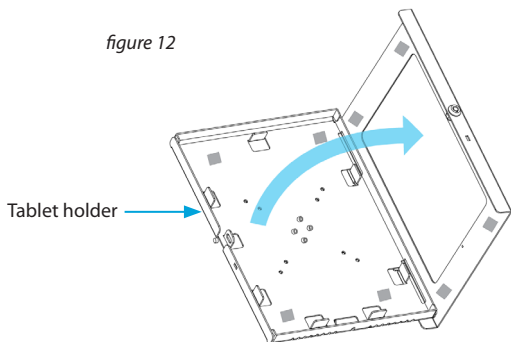
1. Use one of the keys (2) to unlock the tablet holder (1) (*figure 11*).

*figure 11*



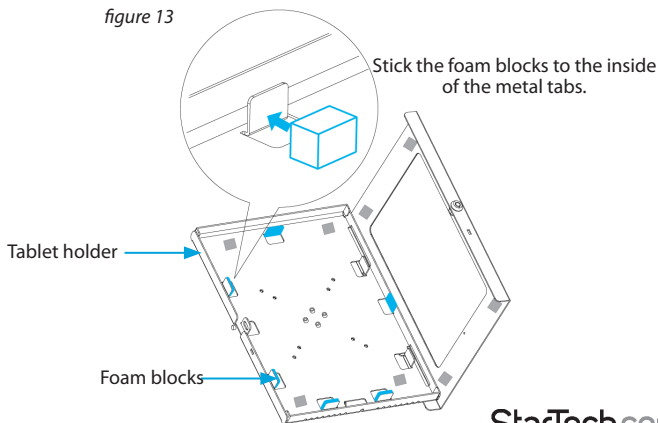
2. Open the front panel of the tablet holder (*figure 12*).

figure 12

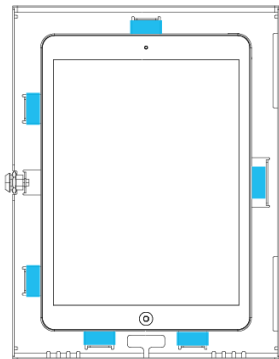


3. Remove the backing from the six foam blocks (14).
4. On the left side of the tablet holder, stick two of the foam blocks to the inside of the metal tabs.
5. On the right side of the tablet holder, stick one of the foam blocks to the inside of the metal tab.
6. On the top of the tablet holder, stick one of the foam blocks to the inside of the metal tab.
7. On the bottom of the tablet holder, stick two of the foam blocks to the inside of the metal tabs (figure 13).

figure 13



When you're done affixing the pads and blocks, the tablet holder should look like this:



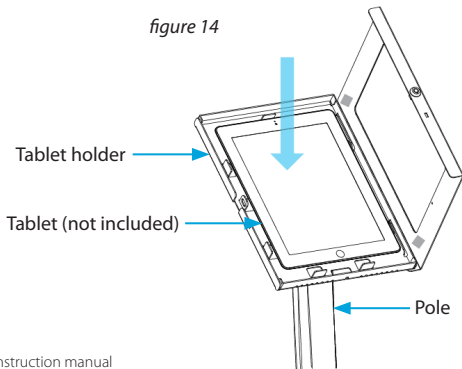
## Place the tablet in the tablet holder

To avoid scratching the surface of the tablet, handle the tablet carefully when you insert it into the tablet holder.

The weight capacity of the STNDTBLT1FS is up to two pounds.

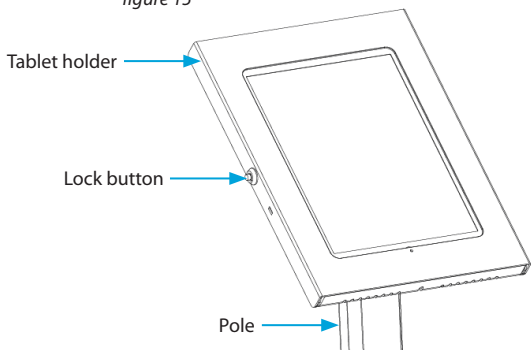
1. If the tablet holder (1) is locked, use one of the keys (2) to unlock the tablet holder and open the front panel.
2. Carefully place the tablet into the tablet holder (*figure 14*).

*figure 14*



3. Attach the USB cable to the charging port on the tablet.
4. Close the front panel of the tablet holder.
5. To lock the tablet holder, press the lock button on the side of the tablet holder (figure 15).

figure 15

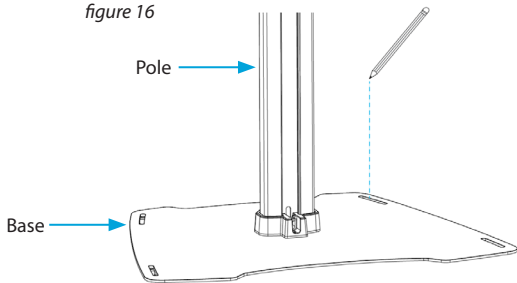


## Attach the tablet stand to the floor

You can secure the STNDTBLT1FS to the floor or leave it as a free-standing tablet stand. To attach the tablet stand to the floor, complete the following:

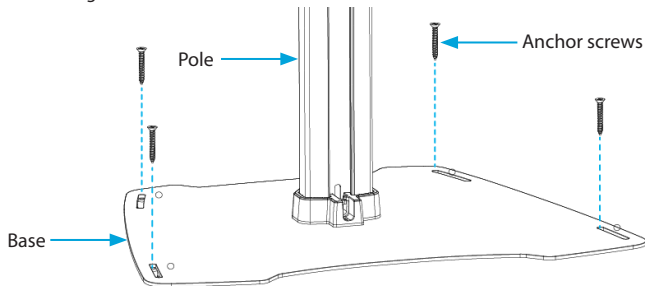
1. Place the tablet stand where you want it to go.
2. Use the base of the tablet stand as a template and use a pencil to trace the four holes on the base onto the floor (figure 16).

figure 16



3. Use a drill to drill 1/4 inch holes in the areas that you marked with the pencil.
4. Hammer the four anchors (12) into the holes that you drilled.
5. Place the tablet stand so that the four holes on the base are on top of the anchors.
6. Insert the four anchor screws (11) through the holes in the base and into the anchors (*figure 17*).
7. Turn the screws clockwise to tighten them.

*figure 17*





# Technical support

StarTech.com's lifetime technical support is an integral part of our commitment to provide industry-leading solutions. If you ever need help with your product, visit [www.startech.com/support](http://www.startech.com/support) and access our comprehensive selection of online tools, documentation, and downloads.

For the latest drivers/software, please visit [www.startech.com/downloads](http://www.startech.com/downloads)

## Warranty information

This product is backed by a three-year warranty.

StarTech.com warrants its products against defects in materials and workmanship for the periods noted, following the initial date of purchase. During this period, the products may be returned for repair, or replacement with equivalent products at our discretion. The warranty covers parts and labor costs only. StarTech.com does not warrant its products from defects or damages arising from misuse, abuse, alteration, or normal wear and tear.

### Limitation of Liability

In no event shall the liability of StarTech.com Ltd. and StarTech.com USA LLP (or their officers, directors, employees or agents) for any damages (whether direct or indirect, special, punitive, incidental, consequential, or otherwise), loss of profits, loss of business, or any pecuniary loss, arising out of or related to the use of the product exceed the actual price paid for the product. Some states do not allow the exclusion or limitation of incidental or consequential damages. If such laws apply, the limitations or exclusions contained in this statement may not apply to you.

### Use of Trademarks, Registered Trademarks, and other Protected Names and Symbols

This manual may make reference to trademarks, registered trademarks, and other protected names and/or symbols of third-party companies not related in any way to StarTech.com. Where they occur these references are for illustrative purposes only and do not represent an endorsement of a product or service by StarTech.com, or an endorsement of the product(s) to which this manual applies by the third-party company in question. Regardless of any direct acknowledgement elsewhere in the body of this document, StarTech.com hereby acknowledges that all trademarks, registered trademarks, service marks, and other protected names and/or symbols contained in this manual and related documents are the property of their respective holders.

Hard-to-find made easy. At StarTech.com, that isn't a slogan. It's a promise.

StarTech.com is your one-stop source for every connectivity part you need. From the latest technology to legacy products — and all the parts that bridge the old and new — we can help you find the parts that connect your solutions.

We make it easy to locate the parts, and we quickly deliver them wherever they need to go. Just talk to one of our tech advisors or visit our website. You'll be connected to the products you need in no time.

Visit [www.startech.com](http://www.startech.com) for complete information on all StarTech.com products and to access exclusive resources and time-saving tools.

*StarTech.com is an ISO 9001 Registered manufacturer of connectivity and technology parts. StarTech.com was founded in 1985 and has operations in the United States, Canada, the United Kingdom and Taiwan servicing a worldwide market.*