



# Wall, Under Cabinet & Desk Mount

with 2 Mounting Bases for Tablets

## INSTRUCTION MANUAL

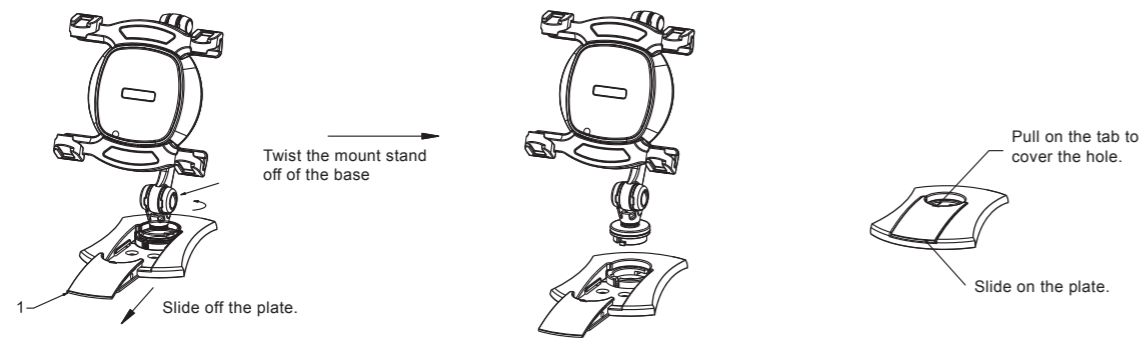
Thank you for choosing CTA Digital's product. We hope that you will enjoy using it. Please follow the guidelines and instructions as laid out in this instruction manual.

# PAD-WDM

## Installation guide



### 4 Removing the Mount Stand from the Mounting Base

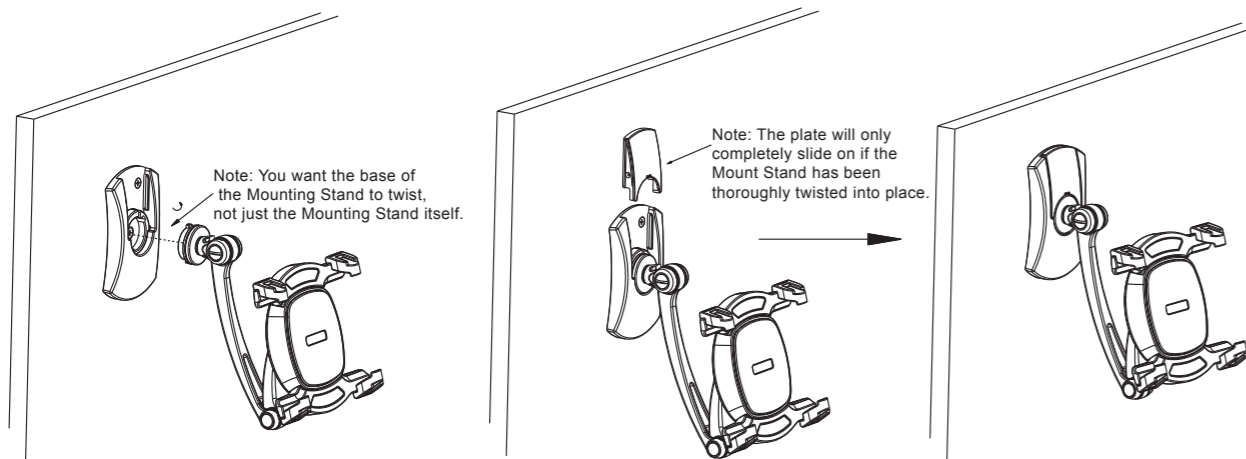


1. Remove the plate off of the Mounting Base and twist the Mount Stand clockwise.

Once the wedges of the Mount Stand align with the grooves of the Mounting Base, lift to remove the Mount Stand from the Mounting Base.

3. Once the Mount Stand is removed, slide the plate back on and pull the tab to extend a circular cover for the hole.

### 5 Installing the Mount Stand to the Mounting Base

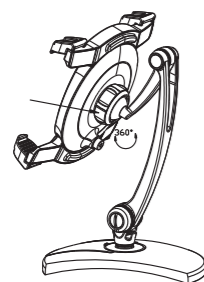


1. Align the wedges of the Mount Stand with the grooves of the Mounting Base and set the Mount Stand into the Mounting Base. Then, twist the Mount Stand to your left until you feel resistance and hold it.

2. Slide the plate onto the Mounting Base.

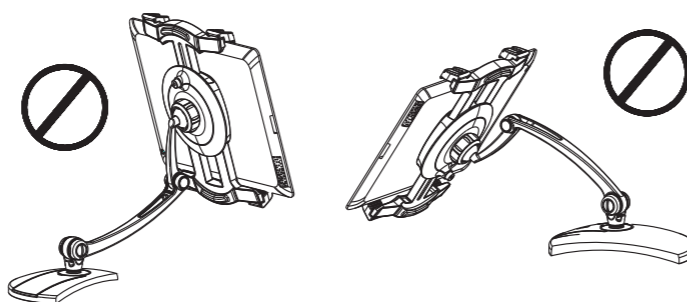
3. Once the Mounting Stand is installed (as shown above), you may load your tablet.

### 6 Adjusting the Mount



1. By twisting the nut that attaches the mount to the stand, you can adjust how loose or tight the rotation mechanic is for the mount.

### 7 Notes



If you plan on using the Mounting Stand without installing the Mounting Base to a surface, please be careful adjusting the arm extension. Overextension of the arm or weight imbalances with heavier tablets will cause the product and your device to fall over, resulting in possible damage.

Model NO.:

PAD-WDM

Products included:

(1) Mount Stand (2) Mounting Bases (6) Screws (6) Anchors

Product size:

Maximum Height: 16.38"

Product weight:

Net weight:1.17kg Gross weight:1.47kg

Suitable tablets:

Suitable for 7"-12" tablets

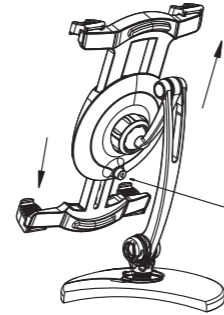
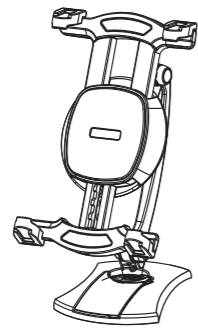
Country of origin:

China

Features:

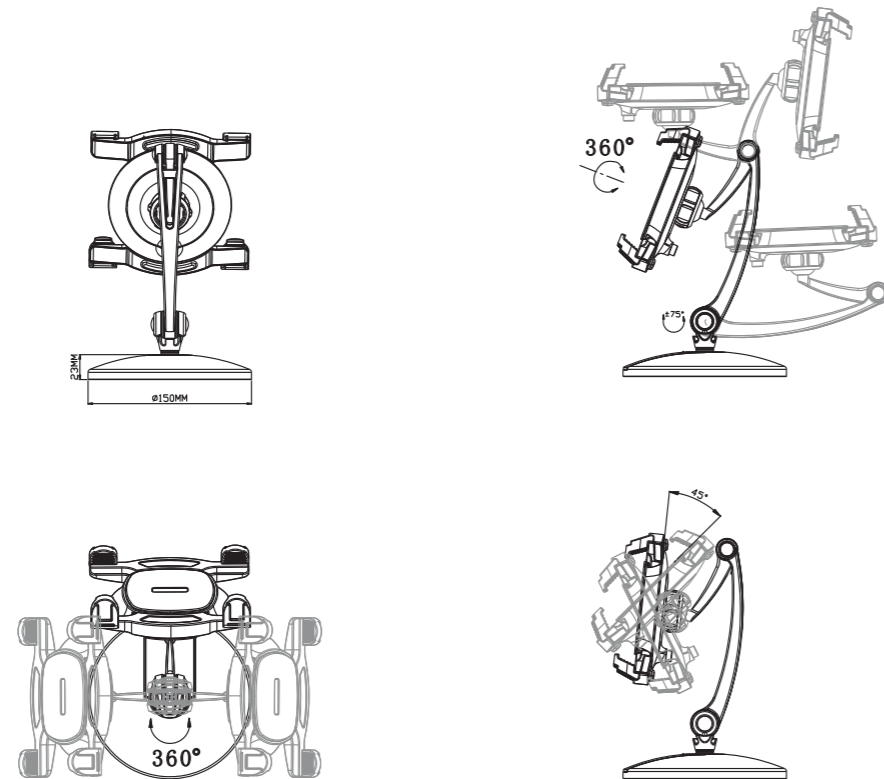
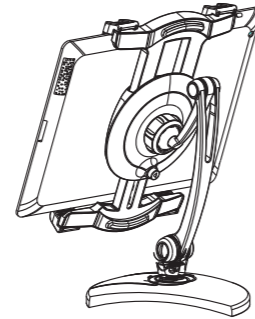
1. Compatible with tablets ranging 4 – 9 inches in width, such as the Samsung Galaxy Tab S, iPad Mini 4 or Google Nexus 9
2. Can be used on wall, tabletop or cabinet.
3. 360° rotating head.
4. Quick release design, easy for installation and disassembly.
5. Elegant looking meets every home decoration and interior design style.

## Installing the Tablet

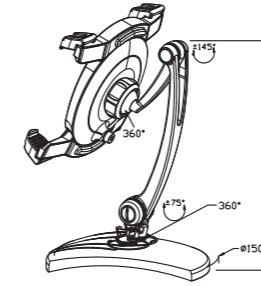


For larger tablets, you may need to pull up on the top Grip to expand the spring-loaded feature for the tablet to properly fit into the mount.

Press the button on the back to open the bottom Grip. Put the tablet into the Tablet Mount and adjust the grips to lock and secure the tablet into place.



(Tablet stand instruction manual)  
for 7"-12" tablet

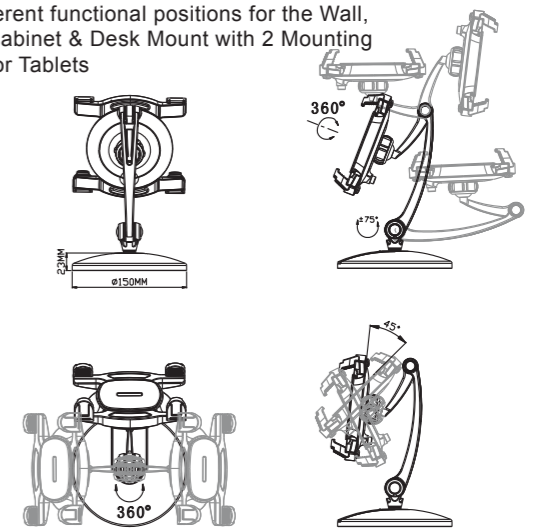


## 1 (Component)

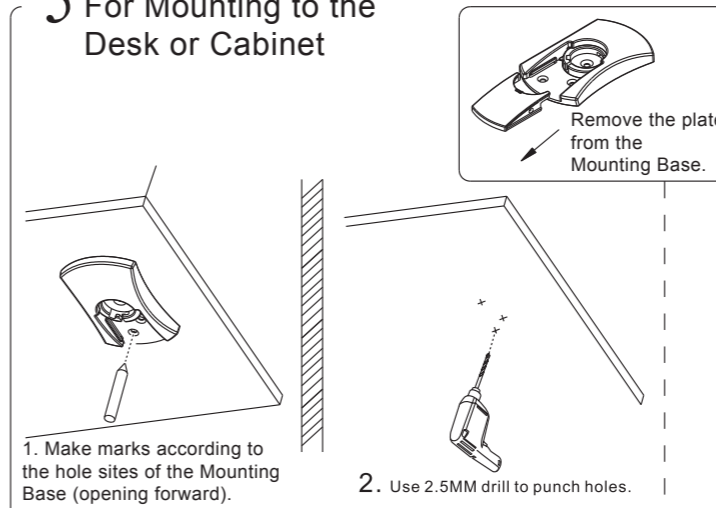
	1 Tablet stand	2 Wall plate	3 Screw	4 Wall anchor
Display				
Quantity	1	2	6	6

## 2 (Use specification)

The different functional positions for the Wall, Under Cabinet & Desk Mount with 2 Mounting Bases for Tablets



## 3 For Mounting to the Desk or Cabinet



Drive the three screws into the Mounting Base starting from front to center and tighten them to the hole site.

## For Mounting to the Wall

