

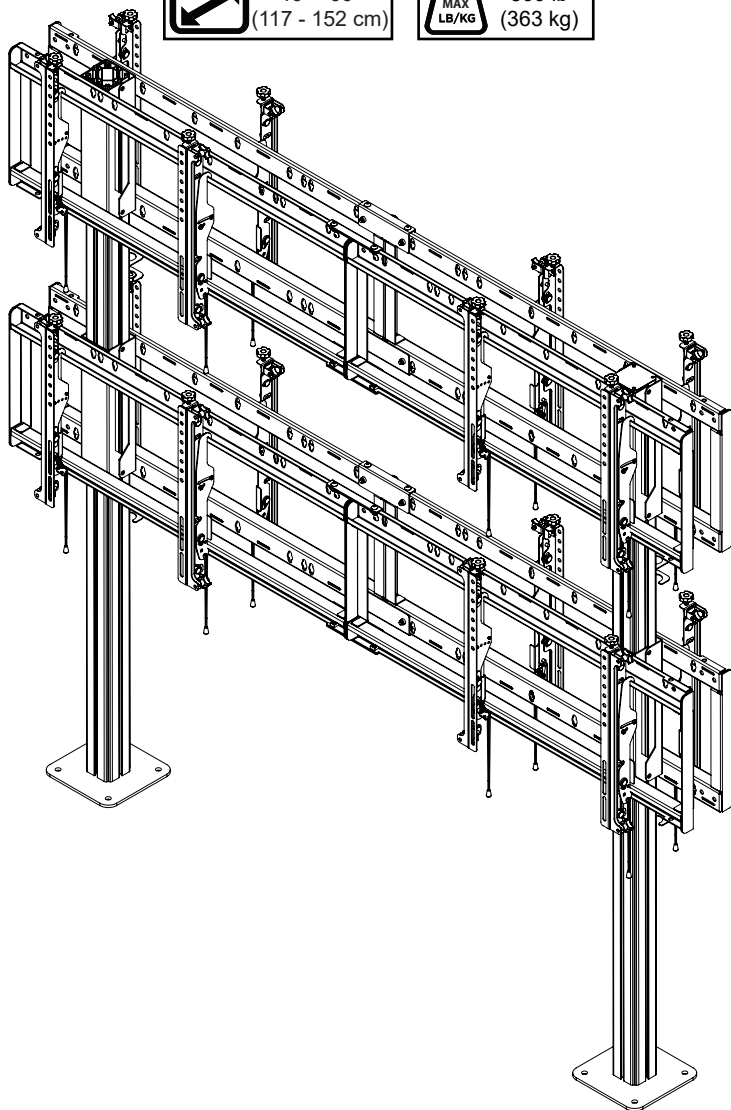


peerless-AV[®]

DS-S560-B2X2

 46" - 60"
(117 - 152 cm)

 MAX
LB/KG 800 lb
(363 kg)



⚠ WARNING

ENG - This product is designed to be installed on solid concrete. Hardware is included for solid concrete installation. Before installing make sure the supporting surface will support the combined load of the equipment and hardware. Screws must be tightly secured. Do not overtighten screws or damage can occur and product may fail. Never exceed the Maximum Load Capacity. Always use an assistant or mechanical lifting equipment to safely lift and position equipment. This product is intended for indoor use only. Use of this product outdoors could lead to product failure or personal injury. Be careful not to pinch fingers when operating the mount. For support please call customer care at 1-800-865-2112.

ENG Symbols



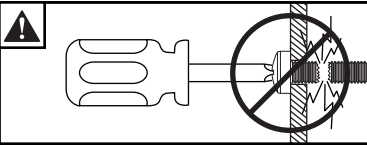
ENG WARNING



ENG Display center.



ENG Screws must get at least three full turns and fit snug.

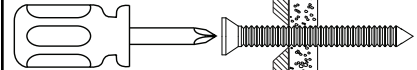


ENG Do not overtighten screws.

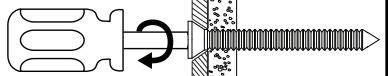


ENG To properly tighten screws: Tighten until screw head makes contact, then tighten another 1/2 turn. Do not overtighten screws.

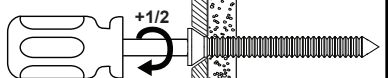
1



2



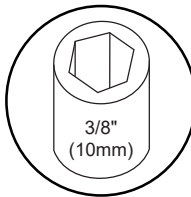
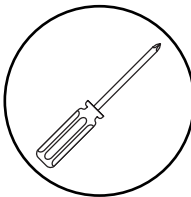
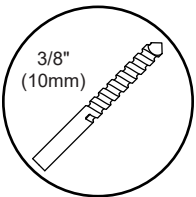
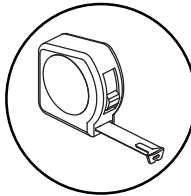
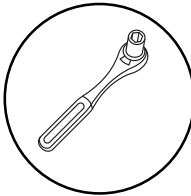
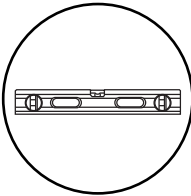
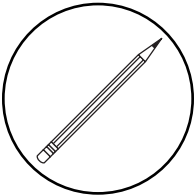
3



4



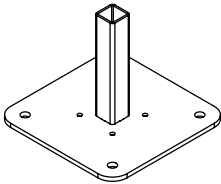
ENG Tools Needed for Assembly.



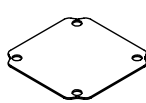
ENG Parts (Before beginning, make sure you have all parts shown below).

Parts List			
Description	Qty	Part #	
A pedestal	2	147-T1426	
B column	2	146-T1131	
C cover	2	145-T1809	
D vertical support bracket	4	145-T1806	
E left adaptor bracket	8	146-1609	
F right adaptor bracket	8	146-1608	
G outer support bracket	4	146-T1290	
H dual cross support	4	146-T1905	
I cord bracket	4	146-T1321	
J M8 x 16mm socket button screw	64	520-9527	
K M8 square nut	16	530-1066	
L cover clip	8	590-0317	
M M5 x 10mm type-f, socket pin screw	16	520-1164	
N knob	4	560-1160	
O 1/4" power bit	1	560-0263	
P 5mm allen wrench	1	560-9640	
Q nylon shoulder washer	32	590-2233	
R M6 x 12mm socket pin screw	32	520-1050	
S 4mm allen wrench	1	560-9646	
T M6 x 35mm screw	8	520-0717	
U rawl bolt #6913	8	5M9-381-H03	

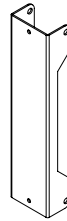
A (2)
pedestal



C (2)
cover



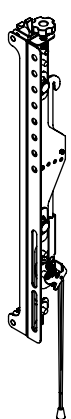
D (4)
vertical support bracket



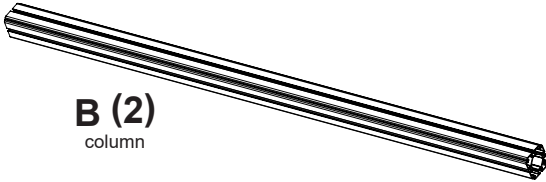
E (8)
left adaptor bracket



F (8)
right adaptor bracket

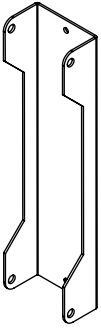


B (2)
column



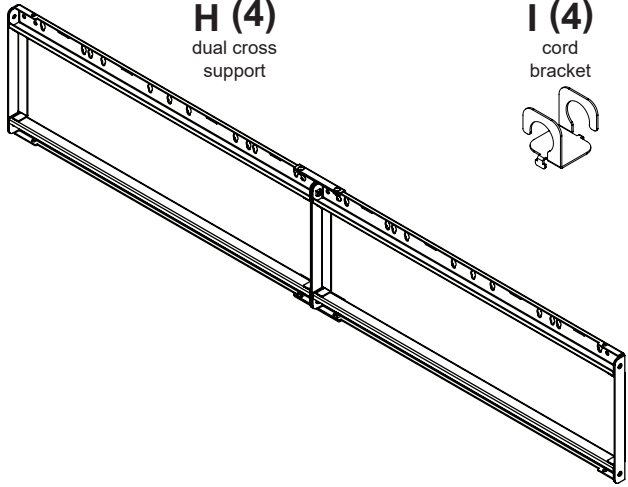
G (4)

outer support bracket



H (4)

dual cross support



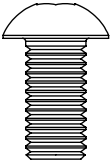
I (4)

cord bracket



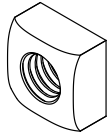
J (64)

M8 x 16mm



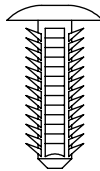
K (16)

M8 square nut



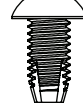
L (8)

cover clip



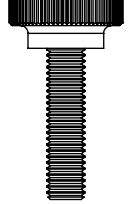
M (16)

M5 x 10mm



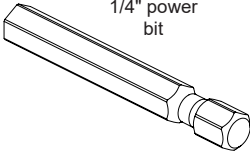
N (4)

knob



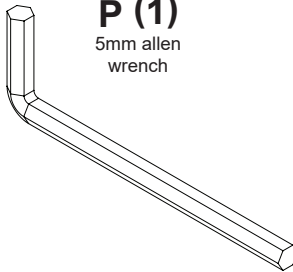
O (1)

1/4" power bit



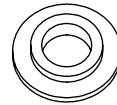
P (1)

5mm allen wrench



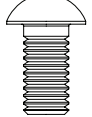
Q (32)

nylon shoulder washer



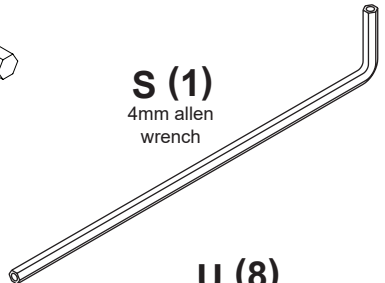
R (32)

M6 x 12mm



S (1)

4mm allen wrench



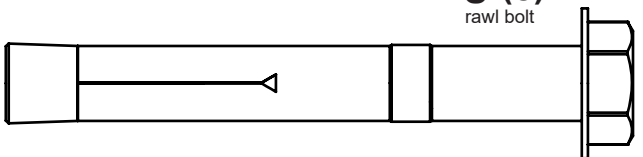
T (8)

M6 x 35mm



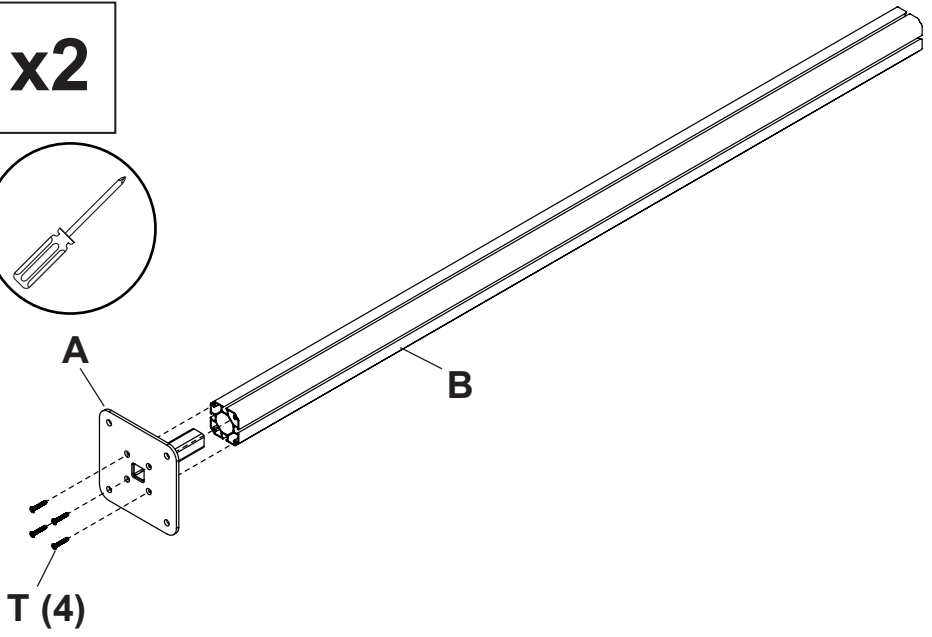
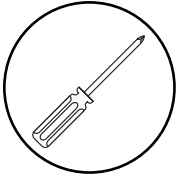
U (8)

rawl bolt



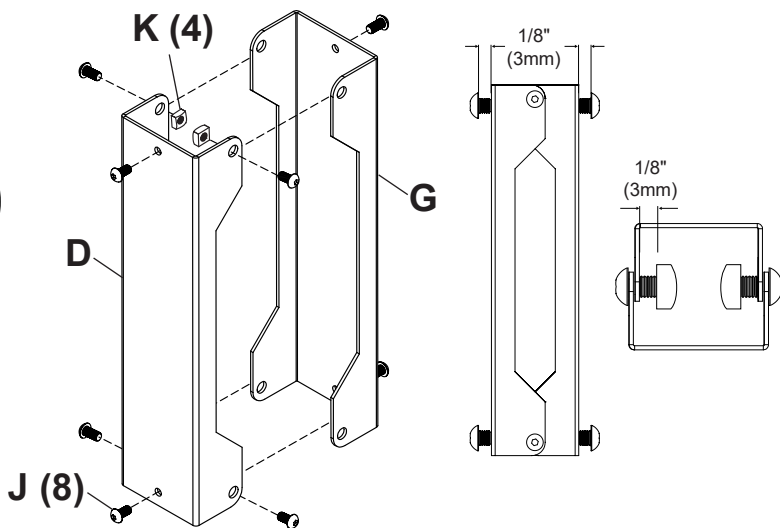
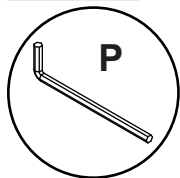
1

x2

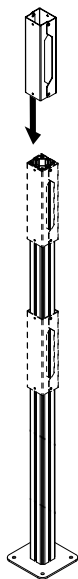
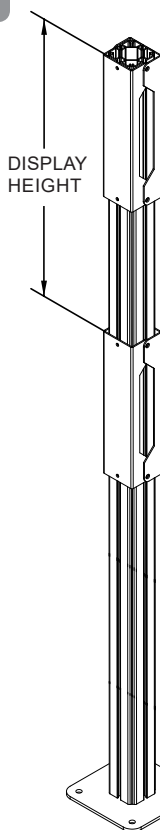


2-1

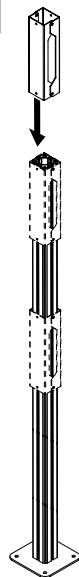
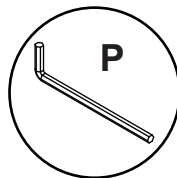
x4



2-2

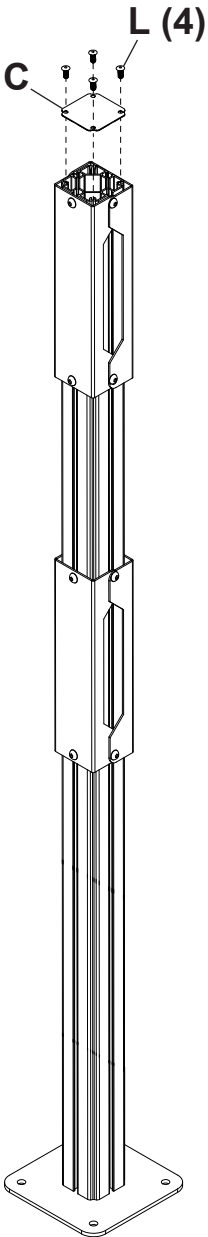


 TIGHTEN CONNECTING HARDWARE



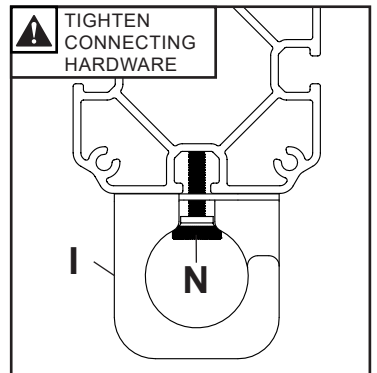
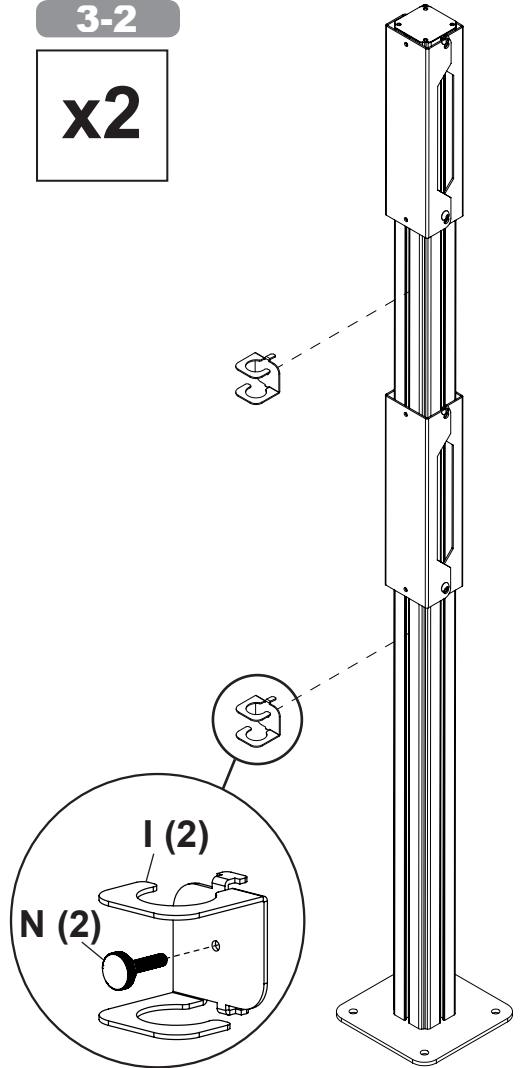
3-1

x2



3-2

x2

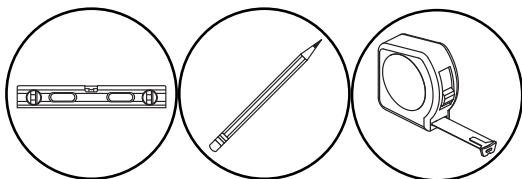


TOP VIEW

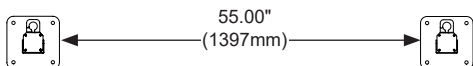
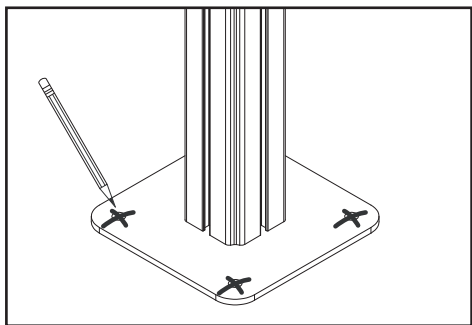
▲ WARNING

ENG - When installing Peerless mounts on a concrete floor, the floor must be at least 8" thick with a minimum compressive strength of 2000 psi. Never attach concrete expansion anchors to concrete covered with plaster, drywall, or other finishing material.

4-1

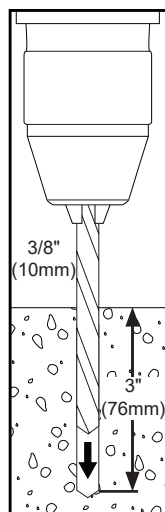
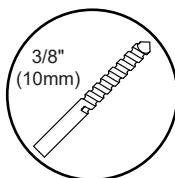


ENG Align base. Mark mounting holes.

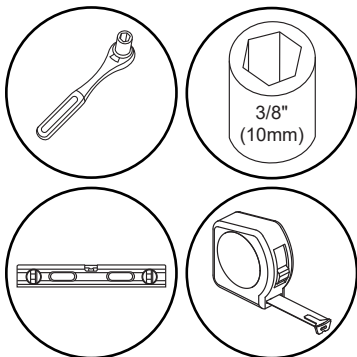


4-2

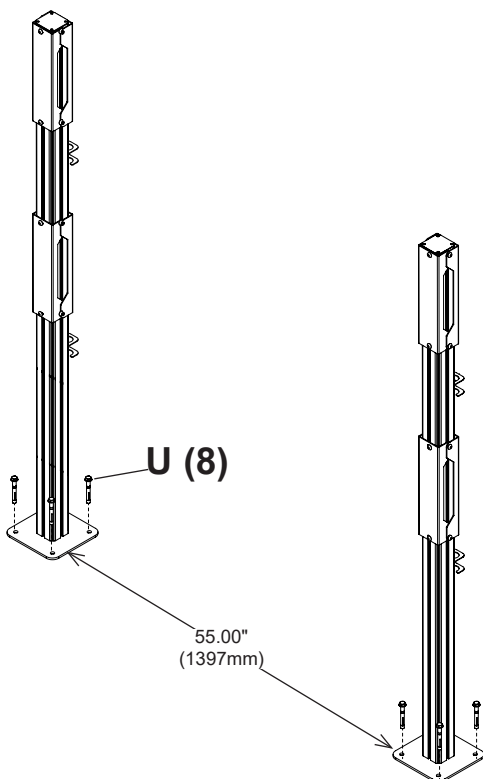
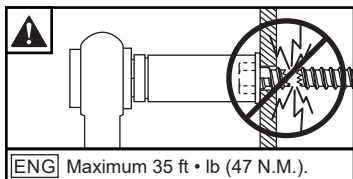
ENG Drill mounting holes into supporting surface (3" (76mm) minimum depth required).



4-3

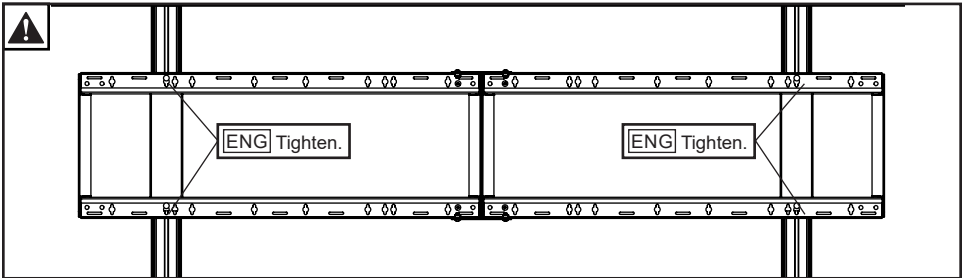
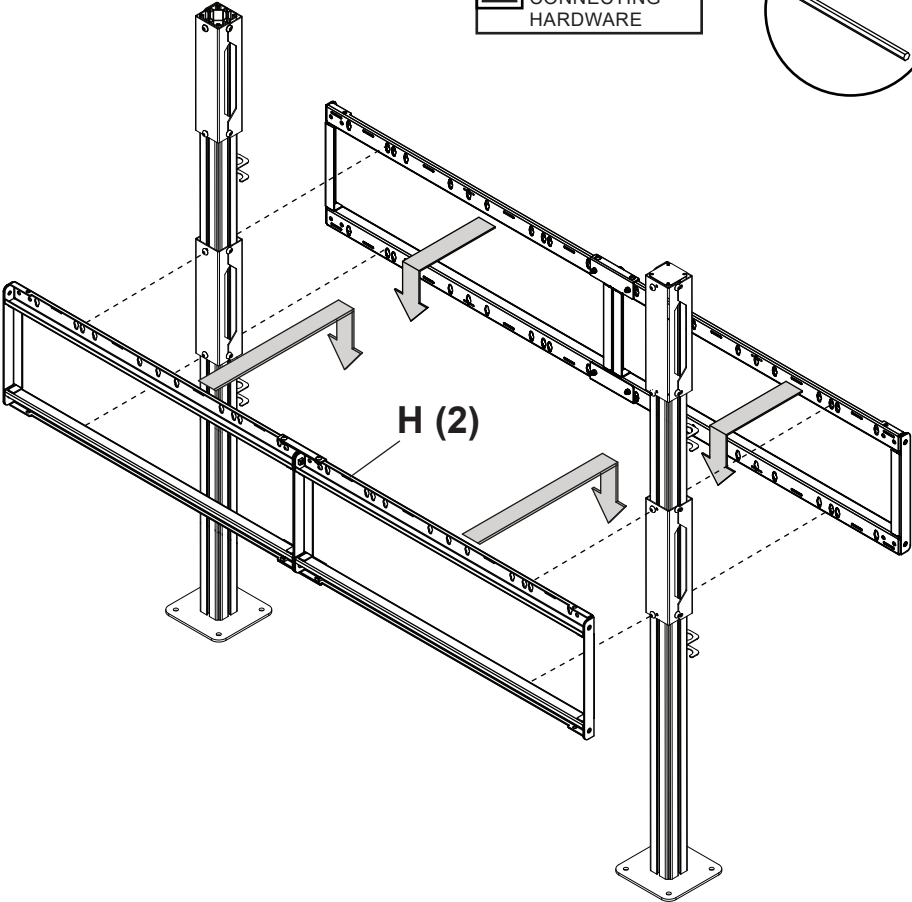
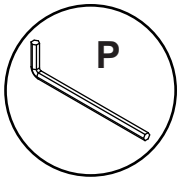


ENG Align base. Install using concrete anchors provided.



5-1

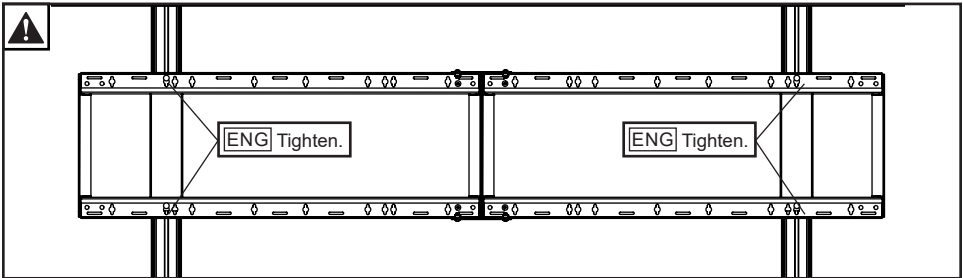
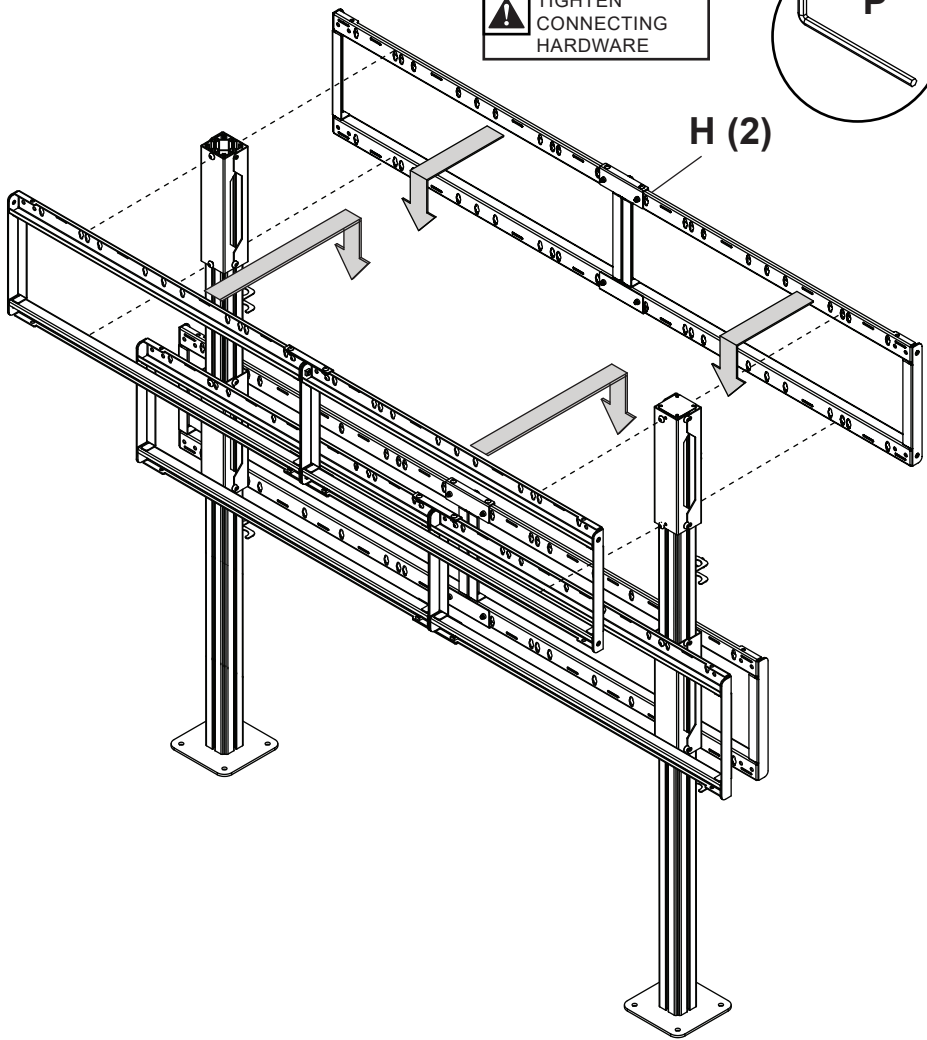
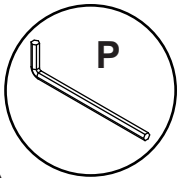
 TIGHTEN
CONNECTING
HARDWARE



ENG Cross supports must center on columns.

5-2

 TIGHTEN
CONNECTING
HARDWARE

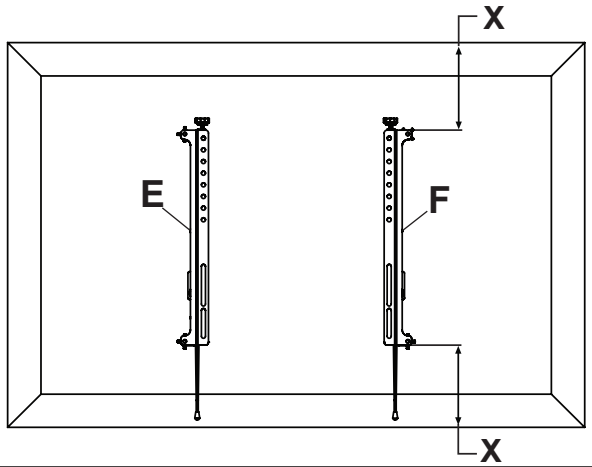


ENG Cross supports must center on columns.

6-1

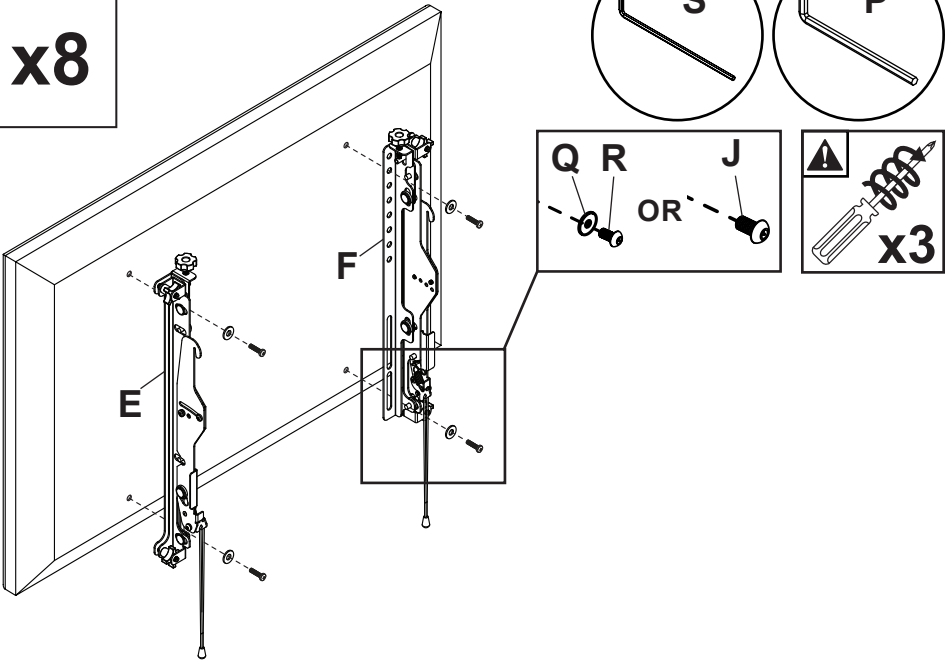
x8

ENG Center adaptor brackets vertically on back of screen.



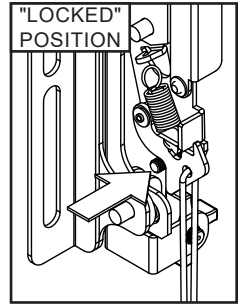
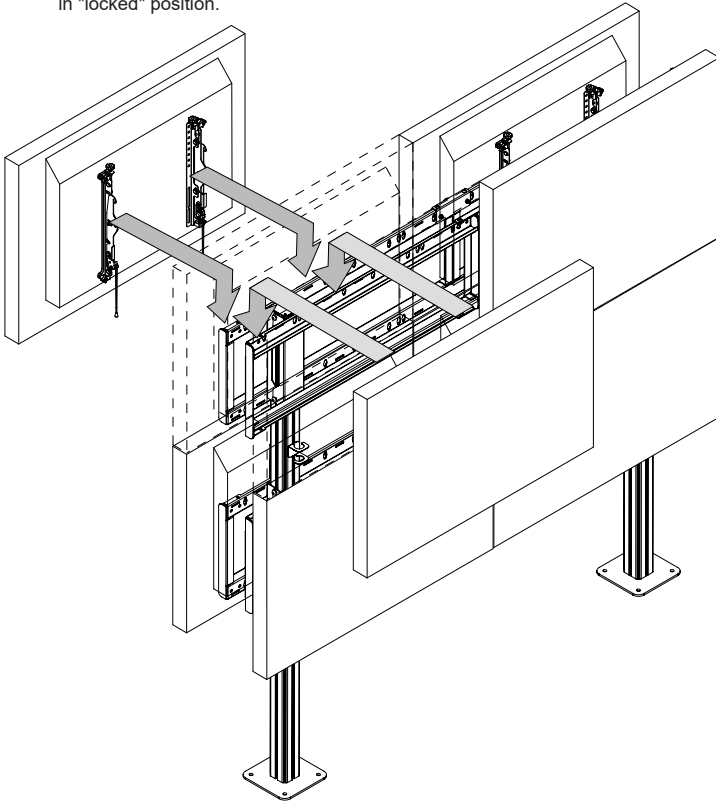
6-2

x8



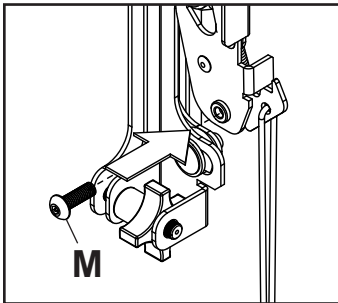
7-1

ENG Must hang displays on top row second; Secure pin in "locked" position.

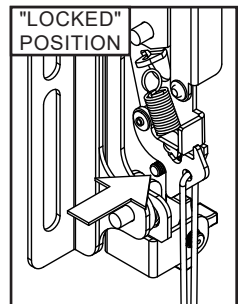
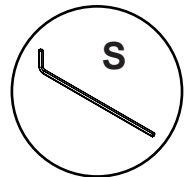


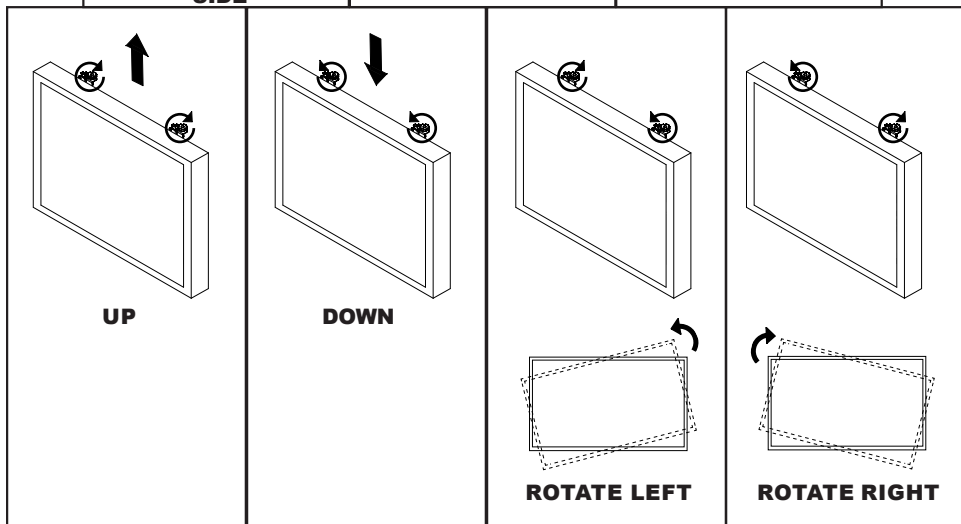
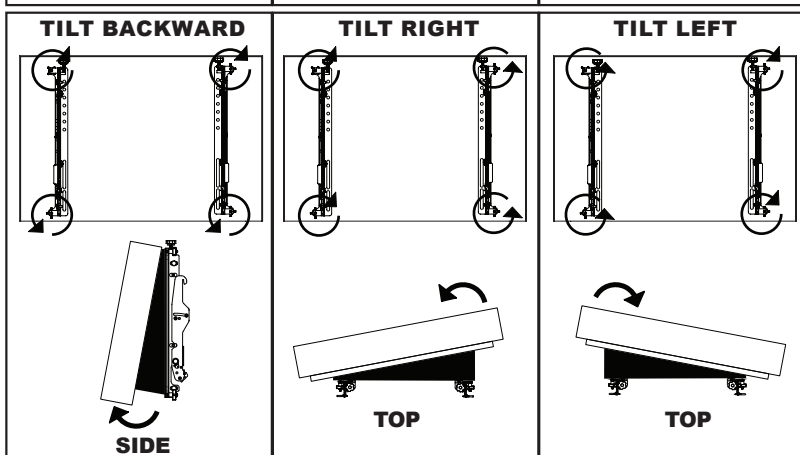
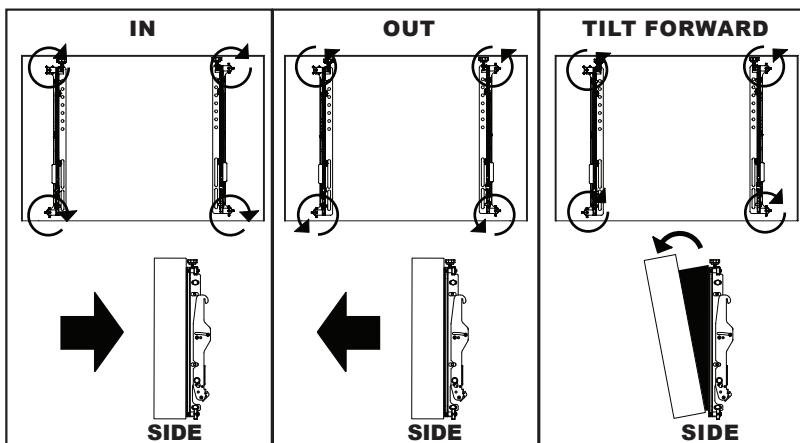
7-2

ENG Optional: Insert M5 x 10mm type-F socket pin screws (M) to lock latches.

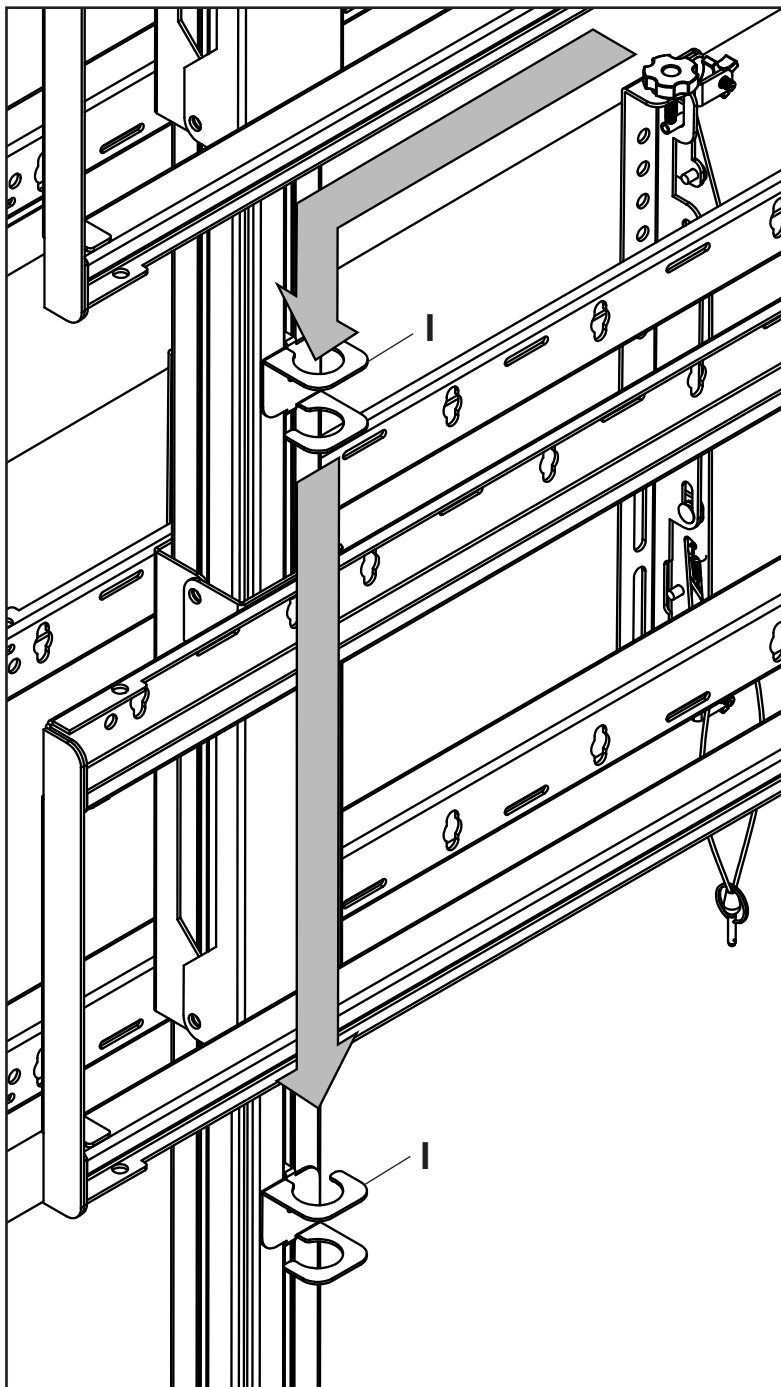


x16





ENG Route cables through cord brackets.



LIMITED FIVE-YEAR WARRANTY

Peerless Industries, Inc. ("Peerless-AV") warrants to original end-users that each Peerless-AV® mounting product will be free from defects in material and workmanship, under normal use, for the applicable warranty period (from date of the original installation of the product). At its option, Peerless-AV will repair or replace, or refund the purchase price of, any product which fails to conform with this warranty.

Any implied warranty of merchantability or fitness for a particular purpose shall be limited to the period of the express warranty set forth below.

In no event shall Peerless-AV be liable for incidental or consequential damages, whether or not secured by a security device which may be included with the product.

Some states do not allow limitations on how long an implied warranty lasts, or the exclusion of incidental or consequential damages, so the above limitation and/or the above exclusion may not apply to you.

This warranty does not cover damage caused by incorrect selection, installation or the failure to follow Peerless-AV instructions or warnings when installing, using or storing the product.

This warranty gives specific legal rights, and you may also have other rights which vary from state to state. To make a warranty claim in North America, contact Peerless-AV customer care at 1-800-865-2112. See complete global warranty information for regions outside North America at www.peerless-av.com/en-uk/customer-care/warranties-returns.

The logo for Peerless-AV features the word "peerless" in a bold, lowercase, red sans-serif font. To its right, the letters "AV" are rendered in a red outline font, with a registered trademark symbol (®) to the upper right of the "V".

Peerless-AV

2300 White Oak Circle
Aurora, IL 60502
Email: tech@peerlessmounts.com
Ph: (800) 865-2112
Fax: (800) 359-6500
www.peerless-av.com

© 2020, Peerless Industries, Inc.

Peerless-AV Europe

Unit 3 Watford Interchange,
Colonial Way, Watford, Herts,
WD24 4WP, United Kingdom
Customer Care
44 (0) 1923 200 100
www.peerless-av.com

© 2020, Peerless Industries, Inc.

Peerless-AV América Latina

Av. de las Industrias 413
Parque Industrial Escobedo
General Escobedo N.L., México 66062
Servicio al Cliente
01-800-849-65-77
www.peerless-av.com

© 2020, Peerless Industries, Inc.