

2-post server rack - 42U

2POSTRACK42

DE: Bedienungsanleitung - de.startech.com

FR: Guide de l'utilisateur - fr.startech.com

ES: Guía del usuario - es.startech.com

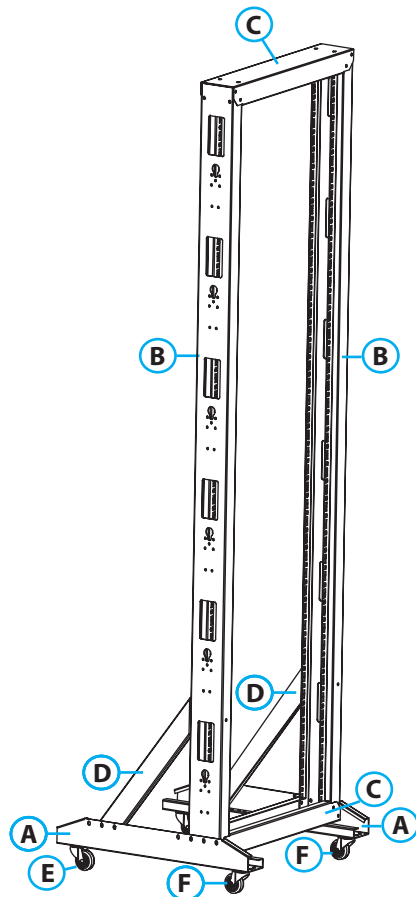
IT: Guida per l'uso - it.startech.com

NL: Gebruiksaanwijzing - nl.startech.com

PT: Guia do usuário - pt.startech.com

Packaging contents

- 2 x bottom support beams (A)
- 2 x vertical rails (B)
- 2 x horizontal rails (C)
- 2 x angled support beams (D)
- 2 x 2 in. heavy-duty casters (E)
- 2 x 2 in. heavy-duty locking casters (F)
- 30 x M6 screws
- 26 x M6 nuts
- 16 x M6 caster screws
- 32 x M6 cage nuts
- 32 x M6 rack screws
- 32 x plastic washers
- 1 x Allen key 4 mm
- 1 x instruction manual



*actual product may vary from photos

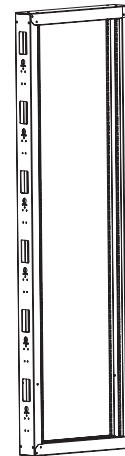
Assemble the rack

Make sure that you have all of the packaging contents before you begin to assemble the server rack.

Warning! To prevent bodily injury, make sure that the rack is installed in a structurally sound environment with a level floor, and that all of the hardware is assembled securely and checked for stability before you load the equipment.

Assemble the frame

1. Lay the two vertical rails (B) lengthwise on the ground.
2. Place one of the horizontal rails (C) over the two ends of the vertical rails (B).
3. Place the second horizontal rail (C) over the other two ends of the vertical rail (B), forming a rectangle.



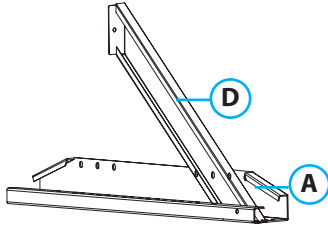
4. When the pieces are aligned, the holes should match up with each other. Use the Allen key to fasten each corner with the provided M6 screws and nuts.

Tip: Wait until all of the screws and nuts are inserted into the frame before you tighten them.

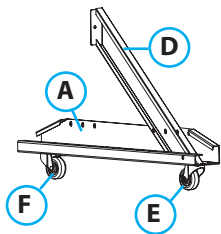
5. After one side of the frame is fastened together, flip the frame over and complete the instructions in step 4.
6. Tighten up all of the screws and nuts on both sides of the frame.

Assemble the bottom support beams

1. Place one of the angled support beams (D) on the inside of one of the bottom support beams (A), making sure to line up the holes on both beams.
2. Use the Allen key and two of the M6 screws and nuts to fasten the angled support beam (D) to the bottom support beam (A). Make sure to tighten the screws and nuts.



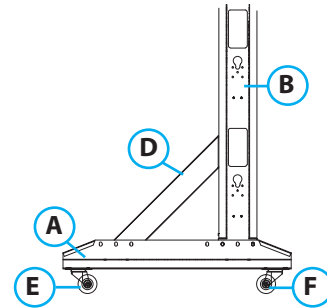
3. Place one of the heavy-duty casters (E) underneath the bottom support beam (A) at the end closest to where the angled support (D) beam is attached to the bottom support beam.
4. Line up the holes on the bottom support beam (A) with the holes on the caster (E).
5. Use a Phillips screwdriver (not included) and four of the M6 screws to fasten the caster (E) to the bottom support beam (A).
6. Place one of the heavy-duty locking casters (F) underneath the bottom support beam (A) at the end farthest away from where the angled support beam is attached to the bottom support beam.
7. Line up the holes on the bottom support beam (A) with the holes on the locking caster (F).



8. Use the Allen key and four of the M6 screws to fasten the locking caster (F) to the bottom support beam (A).
9. Repeat steps 1 to 8 to assemble the second bottom support beam.

Attach the bottom support beams to the frame

1. Lay the assembled frame onto its side, perpendicular to the floor.
2. Place one of the assembled bottom support beams (A) over the corner of one edge of the frame, making sure that the frame is sitting in the end closest to the locking caster (F).



3. Line up the holes on the assembled frame (B) with the holes on the bottom support beam (A).
4. Use the Allen key and two of the M6 screws to attach the assembled frame (B) to the bottom support beam (A).
5. Use the Allen key and two of the M6 screws to attach the angled support beam (D) to the frame.
6. Repeat steps 1 to 5 to attach the second bottom support beam (A) to the frame.
7. Stand the assembled rack up. If necessary, tighten any loose screws or nuts.

Install equipment into the frame rack

- Using the M6 screws, install your equipment into the frame rack.

Warning! When installing equipment into the rack, start from the bottom of the rack first and move upwards, keeping the heaviest equipment at the bottom to avoid a situation where the rack becomes top heavy.

Industry Canada Statement

This Class B digital apparatus complies with Canadian ICES-003.
Cet appareil numérique de la classe [B] est conforme à la norme NMB-003 du Canada.
CAN ICES-3 (B)/NMB-3(B)

Use of Trademarks, Registered Trademarks, and other Protected Names and Symbols

This manual may make reference to trademarks, registered trademarks, and other protected names and/or symbols of third-party companies not related in any way to StarTech.com. Where they occur these references are for illustrative purposes only and do not represent an endorsement of a product or service by StarTech.com, or an endorsement of the product(s) to which this manual applies by the third-party company in question. Regardless of any direct acknowledgement elsewhere in the body of this document, StarTech.com hereby acknowledges that all trademarks, registered trademarks, service marks, and other protected names and/or symbols contained in this manual and related documents are the property of their respective holders.

Technical Support

StarTech.com's lifetime technical support is an integral part of our commitment to provide industry-leading solutions. If you ever need help with your product, visit www.startech.com/support and access our comprehensive selection of online tools, documentation, and downloads. For the latest drivers/software, please visit www.startech.com/downloads

Warranty Information

This product is backed by a two-year warranty. StarTech.com warrants its products against defects in materials and workmanship for the periods noted, following the initial date of purchase. During this period, the products may be returned for repair, or replacement with equivalent products at our discretion. The warranty covers parts and labor costs only. StarTech.com does not warrant its products from defects or damages arising from misuse, abuse, alteration, or normal wear and tear.

Limitation of Liability

In no event shall the liability of StarTech.com Ltd. and StarTech.com USA LLP (or their officers, directors, employees or agents) for any damages (whether direct or indirect, special, punitive, incidental, consequential, or otherwise), loss of profits, loss of business, or any pecuniary loss, arising out of or related to the use of the product exceed the actual price paid for the product. Some states do not allow the exclusion or limitation of incidental or consequential damages. If such laws apply, the limitations or exclusions contained in this statement may not apply to you.