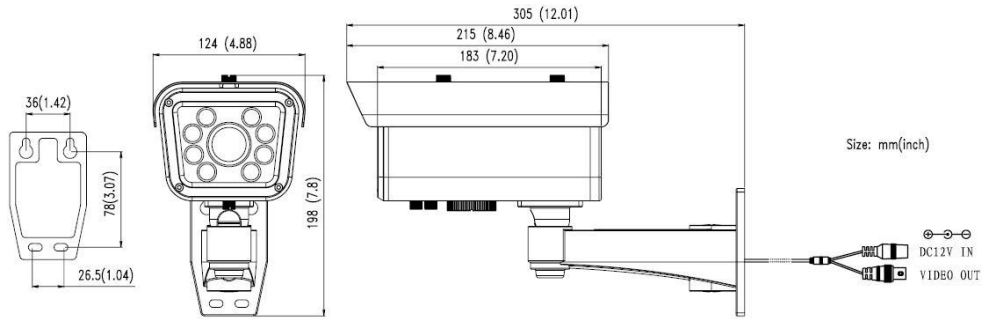


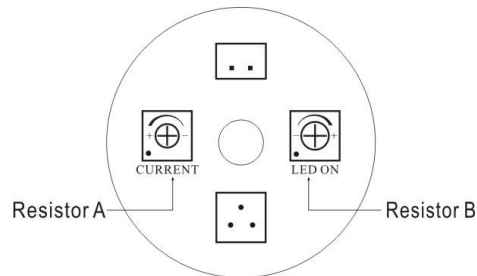
License Plate Capture Camera

● ITEM No: CLPR66H



● Caution for Installation

1. Resistor A: If you want to change the intensity of the IR light, please open the cover at the bottom of the camera(As showed in the following picture), you can adjust the IR light intensity.
2. Resistor B: If you want to change the working time of IR Led, please open the cover at the bottom of the camera(As showed in the following picture), you can adjust the IR LED working time.” – “refers to the IR LED will start working under the darker situation. “+” refers to the IR LED will start working under the brighter situation.



● Packing

- | | |
|---------------------------|----|
| 1. Camera | X1 |
| 2. User Manual | X1 |
| 3. Screw | X4 |
| 4. Plastic-Conical-Anchor | X4 |

- | | |
|---------------------------|----|
| 5. Mounting drawing paper | X1 |
| 6. Hexagonal Wrench | X1 |

● Specification

ITEM	CLPR66H
IP Rating	IP66
Type	Monochrome
Signal System	NTSC/PAL
Pick Up Device	1/3" 960H CCD
Picture Elements	NTSC:1020H×508V PAL:1020H×596V
Resolution	700 TVL
Min Illumination	0Lux (8Pieces super high power IR LED)
Vertical Frequency	NTSC:60Hz; PAL:50Hz
Horizontal Frequency	NTSC:15.734KHz; PAL:15.625KHz
Clock Frequency	NTSC/PAL:36MHz
Scanning System	2:1 Interlace
S/N Ratio	≥52dB
Lens	9-22mm Varifocal Auto iris IR Lens
White Balance	ATW
Back Light	OFF
Auto Gain Control	ON
Video Out-put	1V p-p,75Ω
Power Supply	DC12V ±10%
Current Consumption	380mA
IR Effect Distance	2~15m (6.56~49.18ft) (Outdoor)
Dimension	305×124×198mm (12.01"×4.88"×7.79")
Weight	1750g (61.72oz)
Storage Temperature	-30~+60°C (-22~+140°F)
Operating Temperature	-30~+40°C (-22~+104°F)

Remark: Non-regulative adaptor may cause camera damaged.

- **Caution for Installation**

1. Please do not install the camera where the vibration always happens, or the camera will be damaged.
2. Please keep the glass in front of the camera clean. Do not touch it directly. You can use a soft cloth with alcohol to wipe if necessary.
3. The available IR range of this camera is shown in the specification. Please be sure to place the camera in the working distance when it works.
4. In order to prevent short circuit, please do not loosen any screws in the camera at random.
5. Please do not let the camera work in the conditions which is beyond the most extreme and demanding of operating conditions and climates shown in the specification. When any abnormalities happen, please turn off the camera and contact your local dealer or us right away.

Pay attention to the setting angle. The picture in the right is for your reference.

