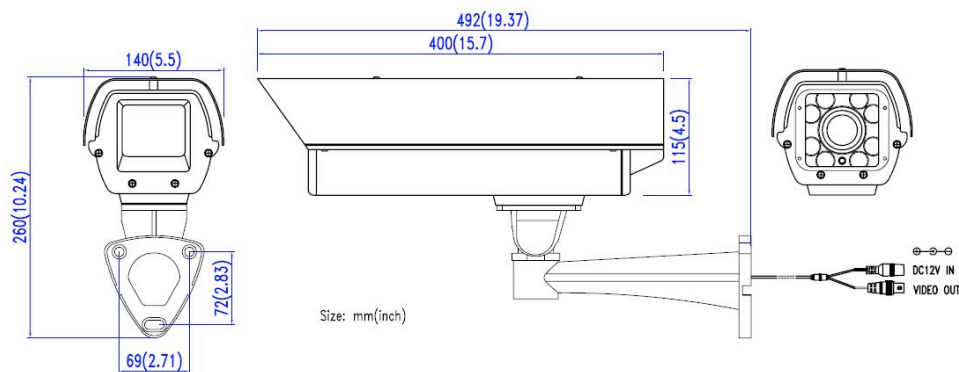


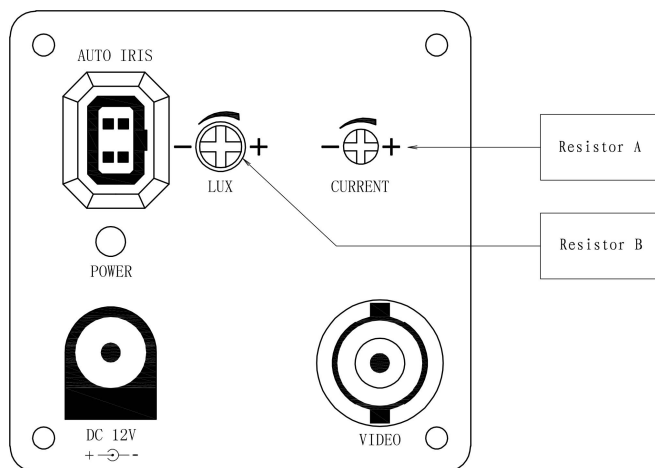
# License Plate Capture Camera

## ● ITEM No: CLPR67H



## ● Adjustable function

1. Resistor A: If you want to change the intensity of the IR light, please open the back cover. And you can adjust it in the tail of the box camera( the following picture is for your reference)
2. Resistor B: If you want to change the working time of IR Led, please open the back cover. And you can adjust the working time in the tail of box camera (the following picture is for your reference).” – “refers to the IR LED will start working under the darker situation. “+” refers to the IR LED will start working under the brighter situation.



## ● Packing

- |    |                        |    |
|----|------------------------|----|
| 1. | Camera                 | X1 |
| 2. | User Manual            | X1 |
| 3. | Screw                  | X3 |
| 4. | Metal-Conical-Anchor   | X3 |
| 5. | Adaptor                | X1 |
| 6. | Hexagonal Wrench       | X3 |
| 7. | Mounting drawing paper | X1 |

## ● Specification

ITEM	CLPR67H
<b>IP Rating</b>	IP66
<b>Type</b>	Monochrome
<b>Signal System</b>	NTSC/PAL
<b>Pick Up Device</b>	1/3" 960H CCD
<b>Picture Elements</b>	NTSC:1020H×508V PAL:1020H×596V
<b>Resolution</b>	700 TVL
<b>LED</b>	8Pieces Super High Power LED
<b>Vertical Frequency</b>	NTSC:60Hz;PAL:50Hz
<b>Horizontal Frequency</b>	NTSC:15.734KHz PAL:15.625KHz
<b>Clock Frequency</b>	NTSC/PAL:36MHz
<b>Scanning System</b>	2:1 Interlace
<b>S/N Ratio</b>	≥52dB
<b>Lens</b>	5-50mm Varifocal Auto Iris IR Lens
<b>Video Out-put</b>	1V p-p,75Ω
<b>Power Supply</b>	DC12V±10%
<b>Current Consumption</b>	1500mA (with heater and fan)
<b>Recommend Working Distance</b>	5-30M (16.3-98.3ft)
<b>Dimension</b>	492×140×260mm (19.37"×5.5"×10.24")
<b>Weight</b>	2520g (88.8oz)
<b>Storage Temperature</b>	-30~+60□ (-22~+140□)
<b>Operating Temperature</b>	-30~+40□ (-22~+104□)

**Remark: Non-regulative adaptor may cause camera damaged.**

- **Caution for Installation**

1. Please do not install the camera where the vibration always happens, or the camera will be damaged.
2. Please keep the glass in front of the camera clean. Do not touch it directly. You can use a soft cloth with alcohol to wipe if necessary.
3. The available IR range of this camera is shown in the specification. Please be sure to place the camera in the working distance when it works.
4. In order to prevent short circuit, please do not loosen any screws in the camera at random.
5. Please do not let the camera work in the conditions which is beyond the most extreme and demanding of operating conditions and climates shown in the specification. When any abnormalities happen, please turn off the camera and contact your local dealer or us right away.

**Pay attention to the setting angle. The picture in the right is for your reference.**

