

Owner's Manual

Tablet Charge and Sync Station

16-Port Models: CS16USB, CS16USBW

32-Port Models: CS32USB, CS32USBW

48-Port Models: CS48USB, CS48USBW

Table of Contents

1. Important Safety Instructions	2	7. 16-Port USB Charger/Hub	7
2. Overview	2	7.1 USB Charger/Hub Features	7
3. Feature Identification	3	7.2 Connecting Devices to the USB Charger/Hub	7
4. Enclosure Installation	4	7.3 Connecting a Computer to the USB Charger/Hub	7
4.1 Preparation	4	8. Adjusting Storage Shelf Dividers	8
4.2 Unpacking	4	8.1 Adjusting the 16-Port Models' Shelf Dividers	8
4.3 Ground Connection	4	8.2 Adjusting the 32-Port and 48-Port Models' Shelf Dividers	8
5. Wall-Mounting the Enclosure	5	9. Specifications	8
5.1 Mounting the 16-Port Models	5	10. Optional Casters and Handle	9
5.2 Mounting the 32-Port and 48-Port Models	5	11. Storage and Service	9
6. Enclosure Configuration	6	12. Warranty and Product Registration	9
6.1 Door Locks	6	Español	10
6.2 Cable Access and Management	6	Français	19

PROTECT YOUR INVESTMENT!

Register your product for quicker service and ultimate peace of mind.

You could also win an ISOBAR6ULTRA surge protector—a \$50 value!

www.tripplite.com/warranty



1111 W. 35th Street, Chicago, IL 60609 USA • www.tripplite.com/support

Copyright © 2015 Tripp Lite. All trademarks are the sole property of their respective owners.

1. Important Safety Instructions



SAVE THESE INSTRUCTIONS

This Manual contains instructions and warnings that must be followed during the installation and operation of the product described in this manual. Failure to comply may invalidate the warranty and cause property damage or personal injury.

USB Charger/Hub Unit:

- To remove the USB Charger/Hub from the supply mains, the appliance inlet serves as a disconnect device.
- If any of the following situations arise, schedule an appointment to have your equipment inspected by a service technician:
 - The equipment has been exposed to moisture
 - The equipment has been dropped and damaged
 - The equipment shows obvious signs of breakage
 - The equipment is not functioning properly or is not functioning according to the instructions described in this Owner's Manual
- Use of this equipment in life support applications where failure of this equipment can reasonably be expected to cause the failure of the life support equipment or to significantly affect its safety or effectiveness is not recommended.
- Do not use this equipment in the presence of a flammable anesthetic mixture with air, oxygen or nitrous oxide.

Enclosure Unit:

- Keep the enclosure in a controlled indoor environment away from moisture, temperature extremes, flammable liquids and gasses, conductive contaminants, dust and direct sunlight.
- Leave adequate space at the front and rear of the enclosure for proper ventilation. Do not block, cover or insert objects into the external ventilation openings of the enclosure.
- The enclosure is extremely heavy. Use caution when handling the enclosure. Do not attempt to unpack, move or install it unassisted. Use a mechanical device such as a forklift or pallet jack to move the enclosure in the shipping container.
- Do not place any object on the enclosure, especially containers of liquid, and do not attempt to stack the enclosures.
- Inspect the shipping container and the enclosure for shipping damage. Do not use the enclosure if it is damaged.
- Leave the enclosure in the shipping container until it has been moved as close to the final installation location as possible.
- For wall-mounted installations, first make sure that the wall surface can safely support the combined load of the enclosure, equipment and all attached hardware and components.
- For floor installations, make sure the unit is placed in a structurally sound area capable of bearing the weight of the enclosure, all equipment that will be installed, and any other enclosures and/or equipment that will be installed nearby.
- Enclosure must be installed by a qualified technician.
- Use suitable mounting means when installing to cinder block, concrete, drywall or wood studs.
- Use caution when cutting packing materials. The enclosure could be scratched, causing damage not covered by the warranty.
- Save all packing materials for later use. Repacking and shipping the enclosure without the original packing materials may cause product damage that will void the warranty.

If installing optional CSHANDLEKIT caster and handle kit—see section 10 for caster installation:

- Do not push the enclosure from the side panels to move it. Pushing from the side panels will cause a tipping hazard.
- When rolling the enclosure on its casters, always push it from behind; never pull it toward you.
- A rolling enclosure can cause personal injury and property damage if not properly supervised. If rolling the enclosure down a ramp is required, use extreme caution. Do not attempt to use ramps that have a slope grade greater than 12%.

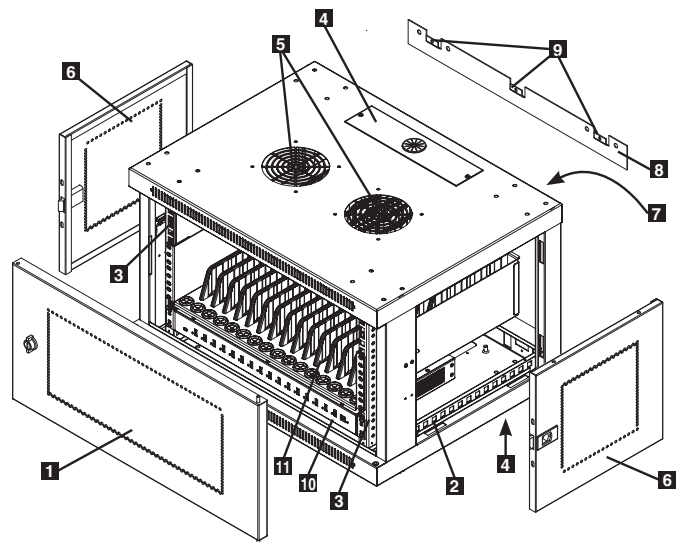
2. Overview

Your tablet charging station is an all-in-one solution for storing, syncing and high-speed USB charging for up to 16, 32 or 48 tablets, including iPad® and Android™ models. Housed in a standard 19-inch rack enclosure, your tablet charging station can be conveniently mounted to walls, as well as configured for desktop or floor placement (with optional rolling casters, sold separately). To prevent theft and device tampering, your tablet charging station enclosure comes equipped with locking steel doors and side panels.

3. Feature Identification

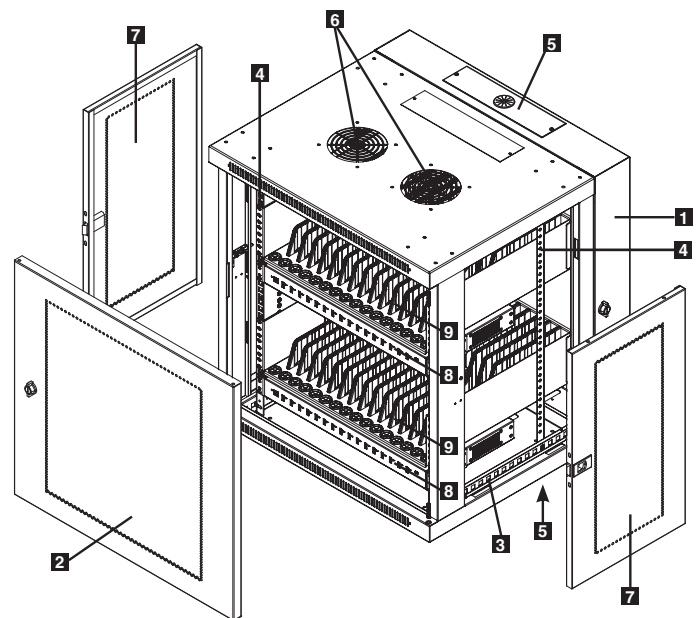
CS16USB(W)

- 1 Locking Front Door
- 2 Horizontal Rails
- 3 Vertical Mounting Rails
- 4 Secure Top and Bottom Cable Access Plates
- 5 Vents
- 6 Locking/Removable Side Panels
- 7 Mounting Notches (found on the enclosure's back panel)
- 8 Mounting Plate (separate piece)
- 9 Mounting Hooks (found on the Mounting Plate)
- 10 1U Rack-Mountable 16-Port USB Charger/Hub
- 11 Adjustable 16-tablet Storage Shelf



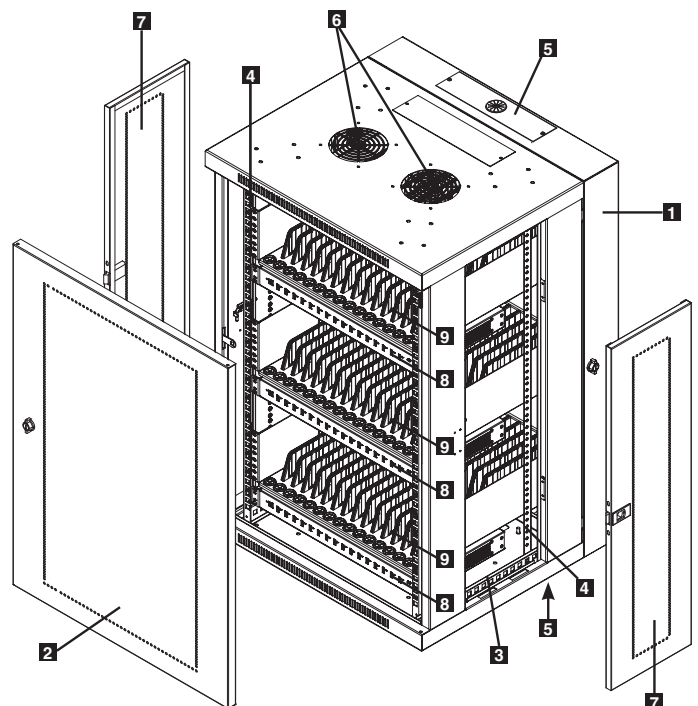
CS32USB(W)

- 1 Locking Rear Door
- 2 Locking/Reversible Front Door
- 3 Horizontal Rails
- 4 Vertical Mounting Rails
- 5 Secure Top and Bottom Cable Access Plates
- 6 Vents
- 7 Locking/Removable Side Panels
- 8 1U Rack-Mountable 16-Port USB Charger/Hub
- 9 Adjustable 16-tablet Storage Shelf



CS48USB(W)

- 1 Locking Rear Door
- 2 Locking/Reversible Front Door
- 3 Horizontal Rails
- 4 Vertical Mounting Rails
- 5 Secure Top and Bottom Cable Access Plates
- 6 Vents
- 7 Locking/Removable Side Panels
- 8 1U Rack-Mountable 16-Port USB Charger/Hub
- 9 Adjustable 16-tablet Storage Shelf



4. Enclosure Installation



Caution! Read All Instructions and Warnings Before Installation!



Warning: Rack enclosures can be extremely heavy. Do not attempt to unpack, move or install the enclosure without assistance. Use extreme caution when handling the enclosure and be sure to follow all handling and installation instructions. Do not attempt to install equipment without first stabilizing the enclosure.

4.1 Preparation

The enclosure must only be mounted to wall surfaces that can safely support the combined weight of the enclosure, equipment and all attached hardware and components, or floor areas capable of handling the full enclosure load and contents as well as any other enclosures and/or equipment that will be installed nearby. Before unpacking the enclosure, you should transport the shipping container close to the final installation location to minimize the distance you will need to move the unit after the protective packaging has been removed. If you plan to store the enclosure for an extended period before installation, follow the instructions in the **Storage and Service** section.

You need several tools:

- Level
- Phillips-head screwdriver
- Appropriate tools for wall mounting

You also need the following hardware:

- Appropriate hardware for wall mounting (not included)

4.2 Unpacking



Use at least two people to unpack the enclosure.



Note: The enclosure should be moved close to its installation location inside its shipping container before it is unpacked. For mobile applications, use the CSHANDLEKIT caster and handle accessory kit.

- 1 Move shipping pallet to a firm, level surface.
- 2 Open box and remove the corner protectors. Upon unpacking, examine the inside of the cabinet for any additional packing material. Make sure to remove all packing materials from the interior and exterior of the unit. Save all packing materials for later use unless you are certain they will not be required. Packing materials are recyclable.
- 3 With one person on each side, carefully lift the enclosure out of the box and place on a firm, level surface.
- 4 Examine the enclosure for any damage or loose parts. Confirm all parts are present. If anything is missing or damaged, contact Tripp Lite for assistance. Do not attempt to use the enclosure if it has been damaged.



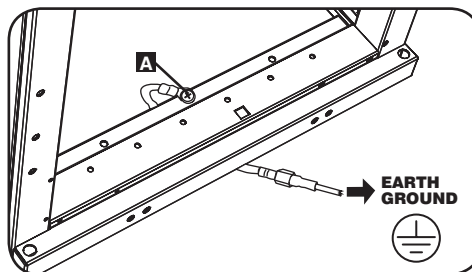
Warning: Never attempt to lift or install without adequate help. Do not try lifting the enclosure alone.



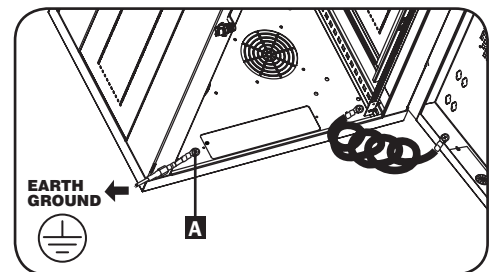
4.3 Ground Connection

All parts of the enclosure are grounded to the frame of the enclosure. Connect your facility's earth ground connection to the provided ground stud **A** using an 8 AWG (3.264 mm) wire.

Warning: Attach each enclosure to earth ground separately. Do not use the enclosure without an earth ground connection.



CS16USB(W)



CS32USB(W)/CS48USB(W)

5. Wall-Mounting the Enclosure

5.1 Mounting the 16-Port Models

Before mounting, use a level and tape measure to position your mounting area precisely. Be sure to use appropriate fasteners (not included) to secure the enclosure to the wall. **Warning: The area you plan to mount the enclosure to must be able to withstand the weight of the enclosure and all mounted equipment.**

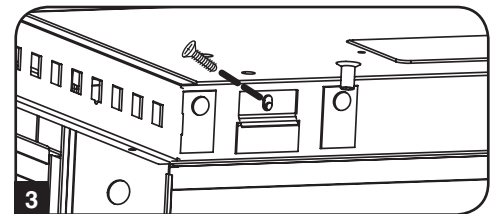
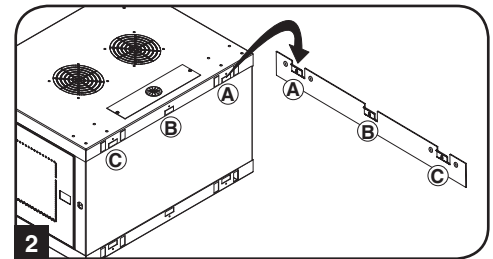
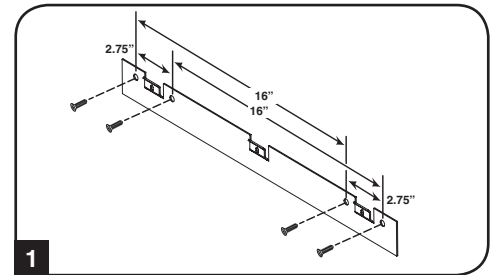
- Using user-supplied hardware, attach the mounting plate to a wall or other suitable mounting surface. Each mounting hole can accommodate an M8 or 5/16" bolt. The holes are spaced 16" apart to accommodate standard stud placement as reflected in the diagram.

Note: When mounting the mounting plate to the wall, be sure the three mounting hooks are facing outwards and away from the wall.

- After the mounting plate has been securely attached to the mounting surface, hang the enclosure's three mounting notches onto the three mounting hooks on the plate attached to the wall. The notches will fit over the hooks. The enclosure should slide down onto the hooks until secure.

Note: Mounting notches exist on both the upper and lower rails of the back panel. This allows for mounting in the standard or reversed positions.

- After the mounting plate has been secured and the enclosure hung properly, secure the enclosure to the mounting plate by installing the three supplied screws in the holes on the mounting hooks as shown.



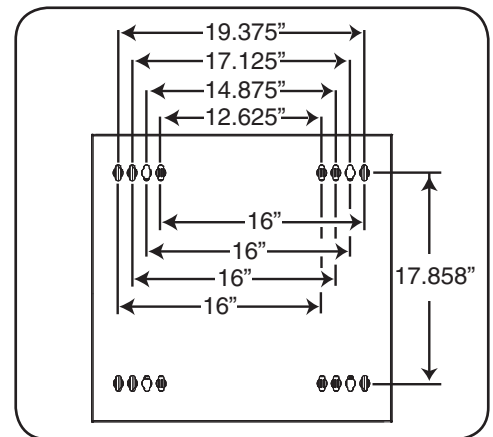
5.2 Mounting the 32-Port and 48-Port Models

Warning: Do not attempt to mount the tablet charge and sync station to the wall with any tablets or other personal electronic devices inside.

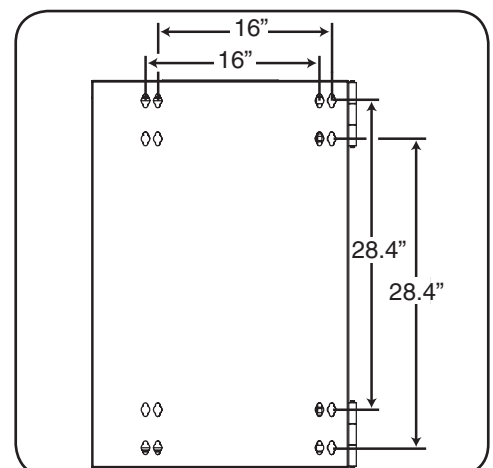
There are 16 keyhole cutouts on the back door of the enclosures. Each keyhole can accommodate an M10 or 3/8" bolt (for the 32-port models) or an M5 or 3/16" bolt (for the 48-port models). Each of the four keyhole sets are centered 16" apart horizontally and are spaced in 2.25" increments toward the outer edges (see corresponding model diagrams for exact keyhole measurements).

Using a level, measure to position your mounting areas precisely. Use appropriate fasteners (not included) to secure the enclosure to the wall. Once the enclosure is safely hanging on the fasteners and secured to the wall, open the unit from the rear door and tighten all mounting hardware.

Note: The tablet charge and sync station enclosure must be installed by a qualified technician. Before mounting, use a level and tape measure to position your mounting area precisely. Use appropriate fasteners (not included) to secure the tablet charge and sync station to the wall. Use suitable mounting means when installing to cinder block, concrete, drywall or wood studs. **Warning: The supporting surface must be able to safely support the combined load of the equipment and all attached hardware and components. Go to the Specifications section on page 8 for more information on your model's weight and dimensions.**



CS32USB(W)



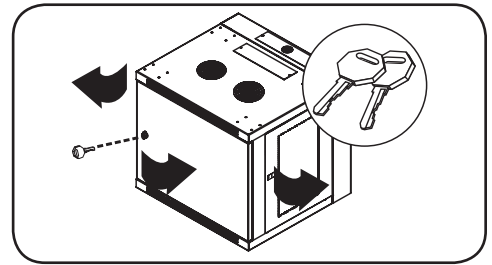
CS48USB(W)

6. Enclosure Configuration

6.1 Door Locks

The front and back doors have locks that are accessible using the included keys.

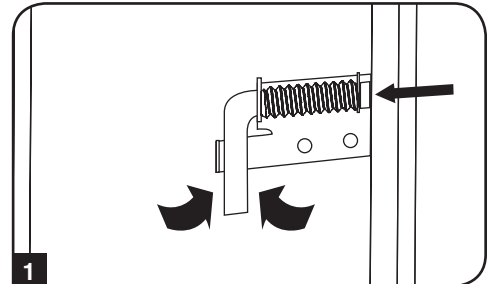
Note: Model CS16USB(W) does not contain a locking back door.



CS32USB(W)

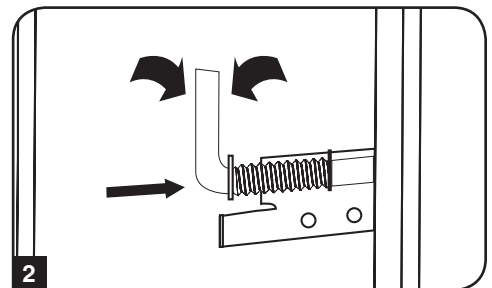
Each side panel locks using an L-shaped lever on the inside of the enclosure.

1 To unlock and remove the side panels, lift the shorter leg of the “L” up and pull it away from the side panel. Pull the tab on the side panel and remove it from the enclosure.



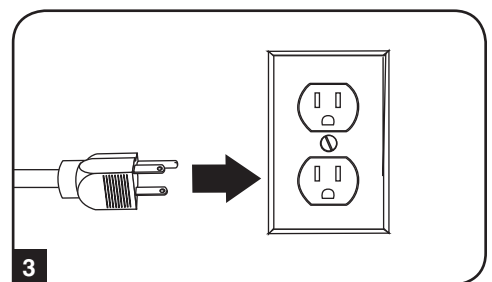
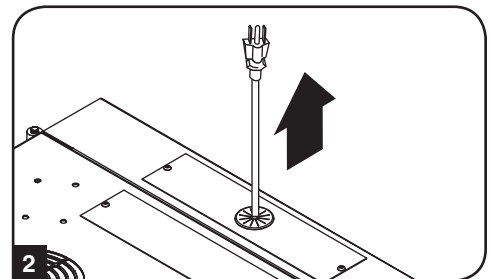
2 To re-lock the side panels, secure it in the proper position, lift the shorter leg of the “L” up and push it toward the side panel, back into the hole that it was in initially. Once it is in place, push the shorter leg of the “L” down to lock it.

Note: To lock and unlock the side panels, you will need to have access to the interior of the enclosure.



6.2 Cable Access and Management

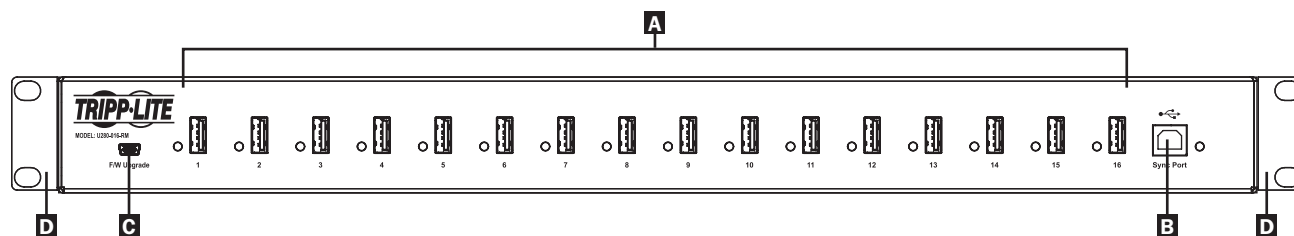
To connect the tablet charge and sync station to a power outlet, run the power cord through the top or bottom cable access plate containing a cord grommet by unlocking the front door and removing one or both of the side panels (as shown in section 6.1) **1**. Then push the input plug through the top or bottom cord grommet **2** and run the cord to your nearest 3-prong, grounded wall outlet **3**.



7. 16-Port USB Charger/Hub

7.1 USB Charger/Hub Features

- Professional-grade USB charger/hub charges and syncs up to 16 USB devices, including iPads®, iPods® and iPhones®, as well as Android™ tablets and smartphones.
- Provides each USB port with an optimum charge level for a particular device (up to 2.4 amps).
- Allows syncing to be performed with any device designed for USB data communications, per compatible file management software.
- Syncs Apple® devices via iTunes® software or Apple Configurator.
- Mini-USB Firmware Upgrade Port enables future software upgrades to support newer devices.
- 1U rack-mountable housing can be configured for professional, educational or personal installations.
- IEC C14 inlet makes power connections easy, regardless of region or voltage requirement.



A 2.4A USB Device Ports with LED Indicator Lights (16 total)

B Computer Sync Port

C Firmware Upgrade Port

D Mounting Ears (Detachable)

7.2 Connecting Devices to the USB Charger/Hub

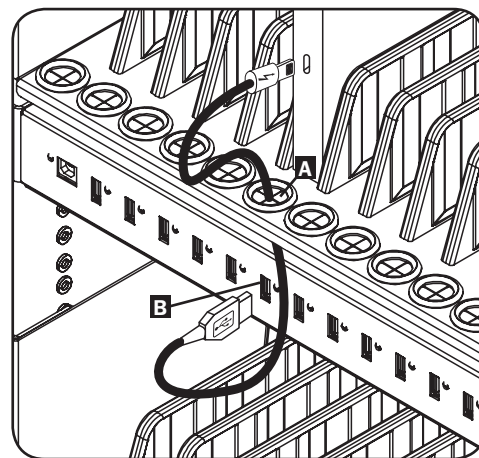
Each storage shelf features 16 strain relief bushings that prevent the USB cable's device connectors from slipping through the bushing **A**. Using a user-supplied or device manufacturer's shielded USB cable, connect the USB cable to the device to be charged. Then pass the cable end through the strain relief bushing on the storage shelf and connect the USB connector to a USB charging port **B**. Repeat for all devices.

Tripp Lite offers individual and 10-pack cables for Apple® devices using USB to 30-Pin or USB to Lightning™ cables, as well as individual and 10-pack cables for USB 3.0 or 2.0 devices using USB A (male) to 5-Pin Micro B (male) cables.

Cable Type	Individual Cable Model Number	10-Pack Cable Model Number
Apple USB to 30-Pin Connector, 10"	M110-10N-BK	M110-10N-BK-10
Apple USB to 8-Pin Lightning Connector, 10"	M100-10N-BK	M100-10N-BK-10
USB 3.0 SuperSpeed A (Male) to 5-Pin Micro-B (Male), 1'	U326-001-BK	U326-001-BK-10
USB 2.0 Reversible A (Male) to 5-Pin Micro-B (Male), 1'	UR050-001*	UR050-001-10*

* Features a reversible USB A (male) connector for simplified installations.

Visit www.tripplite.com for more information on our selection of premium USB cables.



7.3 Connecting a Computer to the USB Charger/Hub

In addition to device charging, the USB Charger/Hub is equipped with a hub function that syncs devices and their respective software applications via a connected computer. To enable the hub function, use the included USB cable to connect the USB B connector into the unit's Computer Sync Port and the USB A connector into a computer's USB port.

Note: When a computer connection is established and multiple devices are connected to the USB Charger/Hub (Model: U280-016-RM), the charge rate will reduce during syncing and resume to the normal charge rate upon completion.

Note: The Firmware Upgrade Port requires a mini-USB connection (cable not included).

8. Adjusting Storage Shelf Dividers

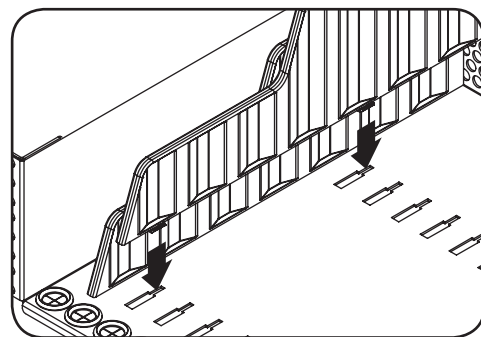
Your tablet charging station comes with one, two or three storage shelves with adjustable dividers that can each accommodate up to 16 personal electronic devices per shelf.

8.1 Adjusting the 16-Port Models' Shelf Dividers

Remove any personal electronic devices stored on the shelf tray. Then remove the shelf tray from the cabinet by unscrewing the four fasteners attached to the two front rack rails. Once the shelf is removed, rearrange the dividers by pulling them out or snapping them into the shelf tray.

8.2 Adjusting the 32-Port and 48-Port Models' Shelf Dividers

Remove any personal electronic devices stored on the shelf tray. Then unlock and open the rear door to the cabinet. From the front or rear of the cabinet, rearrange the dividers by pulling them out or snapping them into the shelf tray. Repeat as necessary for additional shelf trays.



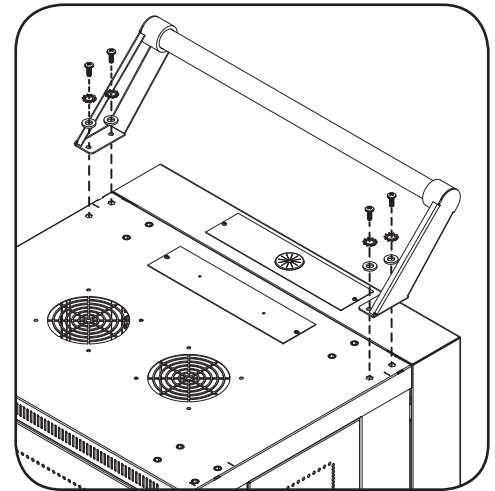
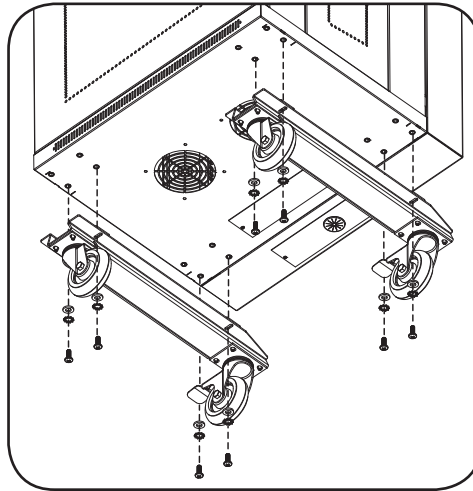
9. Specifications

Model	CS16USB/CS16USBW	CS32USB/CS32USBW	CS48USB/CS48USBW
Dimensions (H x W x D)	14.5 x 23.63 x 17.5" (368 x 600 x 445 mm)	21.6 x 23.63 x 21.6" (549 x 600 x 549 mm)	35.6 x 23.6 x 21.6" (905 x 600 x 549 mm)
Unit Weight	29 lb. (13 kg)	55 lb. (25 kg)	96 lb. (43.5 kg)
Load Capacity*	200 lb. (90 kg) Stationary or Rolling	200 lb. (90 kg) Stationary or Rolling	250 lb. (113 kg) Stationary or Rolling
Cabinet Mounting Depth (Adjustable)	3" to 16.5" (76 to 419 mm)	3" to 20.5" (76 to 521 mm)	3" to 20.5" (76 to 521 mm)
Charger/Hub Ports	16 x USB 2.0 A (Female) 1 x USB 2.0 B (Female) 1 x USB 2.0 mini (Female)	32 x USB 2.0 A (Female) 2 x USB 2.0 B (Female) 2 x USB 2.0 mini (Female)	48 x USB 2.0 A (Female) 3 x USB 2.0 B (Female) 3 x USB 2.0 mini (Female)
Transmission Speed	Up to 480 Mbps	Up to 480 Mbps	Up to 480 Mbps
Power Requirement	Input: 100-240V, 2.5A, 50/60 Hz Output: 5.0V, 2.4A Max (per USB port)	Input: 100-240V, 2.5A, 50/60 Hz Output: 5.0V, 2.4A Max (per USB port)	Input: 100-240V, 2.5A, 50/60 Hz Output: 5.0V, 2.4A Max (per USB port)
Operating Temperature	32° to 104° F 0° to 40° C	32° to 104° F 0° to 40° C	32° to 104° F 0° to 40° C
Operating Humidity	5 to 95% RH, Non-Condensing	5 to 95% RH, Non-Condensing	5 to 95% RH, Non-Condensing
Number of Charger/Hub Units	1	2	3
Charger/Hub Dimensions per Unit (H x W x D)	1.75 x 17.5 x 9.5" (45 x 445 x 240 mm)	1.75 x 17.5 x 9.5" (45 x 445 x 240 mm)	1.75 x 17.5 x 9.5" (45 x 445 x 240 mm)
Enclosure Material	Metal	Metal	Metal
Regulatory Approvals	UL 60950, TUV (US and Canada), NOM (Mexico) and RoHS	UL 60950, TUV (US and Canada), NOM (Mexico) and RoHS	UL 60950, TUV (US and Canada), NOM (Mexico) and RoHS

*Full wall-mount load capacity requires a mounting surface capable of bearing the full load of the tablet charge and sync station and all connected components. Rolling applications require optional CSHANDLEKIT accessory kit. Specifications are subject to change without notice.

10. Optional Caster and Handle Accessory

For applications requiring extra mobility, an optional caster and handle accessory kit (**Model: CSHANDLEKIT**) contains two swivel/locking casters, two swivel-only casters and a handle that attaches to the top of a charging station unit. For further installation instructions, refer to the manual included with the CSHANDLEKIT.



11. Storage and Service

Storage

The enclosure should be stored in a controlled indoor environment away from moisture, temperature extremes, flammable liquids and gasses, conductive contaminants, dust and direct sunlight. Store the enclosure in its original shipping container if possible.

Service

The enclosure is covered by the limited warranty described in this manual. For more information, visit www.tripplite.com/support.

12. Warranty and Product Registration

2-Year Limited Warranty

Seller warrants this product, if used in accordance with all applicable instructions, to be free from original defects in material and workmanship for a period of 2 years from the date of initial purchase. If the product should prove defective in material or workmanship within that period, Seller will repair or replace the product, at its sole discretion.

THIS WARRANTY DOES NOT APPLY TO NORMAL WEAR OR TO DAMAGE RESULTING FROM ACCIDENT, MISUSE, ABUSE OR NEGLIGENCE. SELLER MAKES NO EXPRESS WARRANTIES OTHER THAN THE WARRANTY EXPRESSLY SET FORTH HEREIN. EXCEPT TO THE EXTENT PROHIBITED BY APPLICABLE LAW, ALL IMPLIED WARRANTIES, INCLUDING ALL WARRANTIES OF MERCHANTABILITY OR FITNESS, ARE LIMITED IN DURATION TO THE WARRANTY PERIOD SET FORTH ABOVE; AND THIS WARRANTY EXPRESSLY EXCLUDES ALL INCIDENTAL AND CONSEQUENTIAL DAMAGES. (Some states do not allow limitations on how long an implied warranty lasts, and some states do not allow the exclusion or limitation of incidental or consequential damages, so the above limitations or exclusions may not apply to you. This warranty gives you specific legal rights, and you may have other rights which vary from jurisdiction to jurisdiction).

WARNING: The individual user should take care to determine prior to use whether this device is suitable, adequate or safe for the use intended. Since individual applications are subject to great variation, the manufacturer makes no representation or warranty as to the suitability or fitness of these devices for any specific application.

Product Registration

Visit www.tripplite.com/warranty today to register your new Tripp Lite product. You'll be automatically entered into a drawing for a chance to win a FREE Tripp Lite product!*

* No purchase necessary. Void where prohibited. Some restrictions apply. See website for details.

Regulatory Compliance Identification Numbers

For the purpose of regulatory compliance certifications and identification, your Tripp Lite product has been assigned a unique series number. The series number can be found on the product nameplate label, along with all required approval markings and information. When requesting compliance information for this product, always refer to the series number. The series number should not be confused with the marketing name or model number of the product.

FCC Notice, Class B


This device complies with part 15 of the FCC Rules. Operation is subject to the following two conditions: (1) This device may not cause harmful interference, and (2) this device must accept any interference received, including interference that may cause undesired operation.

Note: This equipment has been tested and found to comply with the limits for a Class B digital device, pursuant to part 15 of the FCC Rules. These limits are designed to provide reasonable protection against harmful interference in a residential installation. This equipment generates, uses and can radiate radio frequency energy and, if not installed and used in accordance with the instructions, may cause harmful interference to radio communications. However, there is no guarantee that interference will not occur in a particular installation. If this equipment does cause harmful interference to radio or television reception, which can be determined by turning the equipment off and on, the user is encouraged to try to correct the interference by one or more of the following measures:

- Reorient or relocate the receiving antenna.
- Increase the separation between the equipment and receiver.
- Connect the equipment into an outlet on a circuit different from that to which the receiver is connected.
- Consult the dealer or an experienced radio/TV technician for help.

Any changes or modifications to this equipment not expressly approved by Tripp Lite could void the user's authority to operate this equipment.

WEEE Compliance Information for Tripp Lite Customers and Recyclers (European Union)

- 
- Under the Waste Electrical and Electronic Equipment (WEEE) Directive and implementing regulations, when customers buy new electrical and electronic equipment from Tripp Lite they are entitled to:
 - Send old equipment for recycling on a one-for-one, like-for-like basis (this varies depending on the country)
 - Send the new equipment back for recycling when this ultimately becomes waste

Tripp Lite has a policy of continuous improvement. Specifications are subject to change without notice.



Manual del propietario

Estación para Carga de Tabletas y Sincronización

Modelos de 16 Puertos: CS16USB, CS16USBW

Modelos de 32 Puertos: CS32USB, CS32USBW

Modelos de 48 Puertos: CS48USB, CS48USBW

Índice

1. Instrucciones de seguridad importantes	11	7. Cargador/Hub USB de 16 Puertos	16
2. Generalidades	11	7.1 Características del Cargador/Hub USB	16
3. Identificación de las características	12	7.2 Conexión de Dispositivos al Cargador/Hub USB	16
4. Instalación del rack	13	7.3 Conexión de una Computadora al Cargador/Hub USB	16
4.1 Preparación	13	8. Ajuste de los Divisores de Estante de Almacenamiento	17
4.2 Desembalaje	13	8.1 Ajuste de los Entrepaños en los Modelos de 16 Puertos	17
4.3 Conexión a tierra	13	8.2 Ajuste de los Entrepaños en los Modelos de 32 Puertos y 48 Puertos	17
5. Montaje del rack a la pared	14	9. Especificaciones	17
5.1 Instalación de los Modelos de 16 Puertos	14	10. Ruedas y Manija Opcionales	18
5.2 Instalación de los Modelos de 32 Puertos y de 48 Puertos	14	11. Almacenamiento y servicio	18
6. Configuración del rack	15	12. Garantía	18
6.1 Cerraduras de las puertas	15	English	1
6.2 Administración y acceso a los cables	15	Français	19



1111 W. 35th Street, Chicago, IL 60609 USA • www.tripplite.com/support

Copyright © 2015 Tripp Lite. Todos los derechos reservados. Todas las marcas registradas son de propiedad de sus respectivos propietarios.

1. Instrucciones de seguridad importantes



GUARDE ESTAS INSTRUCCIONES

Este manual contiene instrucciones y advertencias que deben seguirse durante la instalación y operación del producto descrito en este manual. El incumplimiento invalidará la garantía, pudiendo causar serios daños a la propiedad o lesiones personales.

Unidad de Cargador/Hub USB:

- Para remover el Cargador/Hub USB de la alimentación del servicio público, la entrada de alimentación del aparato sirve como dispositivo de desconexión.
- Si surge cualquiera de las siguientes situaciones, programe una cita para que un técnico de servicio inspeccione su equipo:
 - El equipo ha estado expuesto a humedad
 - El equipo se ha caído o dañado
 - El equipo muestra obvios signos de fractura
 - El equipo no funciona correctamente o no funciona de acuerdo con las Instrucciones del Manual del Propietario
- El uso de este equipo en aplicaciones de soporte de vida en donde la falla de este equipo pueda razonablemente hacer suponer que causará fallas en el equipo de soporte de vida o afecte significativamente su seguridad o efectividad, no está recomendado.
- No use este equipo en la presencia de una mezcla anestésica inflamable con aire, oxígeno u óxido nítrico.

Unidad en rack:

- Mantenga el rack en un ambiente interior controlado, lejos de la humedad, temperaturas extremas, líquidos y gases inflamables, contaminantes conductores, el polvo y la luz directa del sol.
- Deje espacio suficiente en el frente y la parte trasera del rack para una ventilación adecuada. No bloquee, cubra ni inserte objetos en las aberturas de ventilación externa del rack.
- El rack es extremadamente pesado. Manipúlelo con precaución. No intente desembalarlo, moverlo ni instalarlo sin ayuda. Use un dispositivo mecánico, como una horquilla elevadora o un gato para pálets para moverlo en el contenedor de envío.
- No coloque ningún objeto sobre el rack, especialmente contenedores de líquido, y no intente apilar los racks.
- Inspeccione el contenedor de envío y el rack para detectar daños producidos durante el transporte. No lo use si está dañado.
- Deje el rack en el contenedor de envío hasta que se lo haya movido lo más cerca posible del lugar de instalación.
- Para instalaciones en pared, cerciórese primero que la superficie de la pared pueda soportar con seguridad la carga combinada del gabinete, el equipo y todos los accesorios y componentes instalados.
- Para instalaciones en piso, cerciórese que la unidad esté colocada en un área estructuralmente firme, capaz de soportar el peso del gabinete, todo el equipo que se instale y otros gabinetes y equipo que se instalen cerca.
- El gabinete debe ser instalado por un técnico calificado.
- Use los medios adecuados de soporte al instalar a bloques de concreto, concreto, tablarroca o travesaños de madera.
- Corte el material de embalaje con precaución. El rack podría rayarse causando daños que no están cubiertos por la garantía.
- Guarde los materiales de embalaje para utilizarlos en el futuro. Si el rack se vuelve a embalar y a enviar sin los materiales de embalaje originales, se pueden causar daños que anularán la garantía.

Si instala el juego de accesorios de ruedas y manija CSHANDLEKIT—ver la sección 10 para la instalación de las ruedas:

- No empuje el rack por los paneles laterales para moverlo. De esta manera existe peligro de que se vuelque.
- Cuando lo haga rodar sobre sus ruedas, empújelo siempre desde atrás, nunca hacia usted.
- Un rack rodante puede causar lesiones personales y daño a la propiedad si no se supervisa correctamente. Si es necesario hacerlo rodar por una rampa, hágalo con precaución. No intente usar rampas que tengan una pendiente superior al 12%.

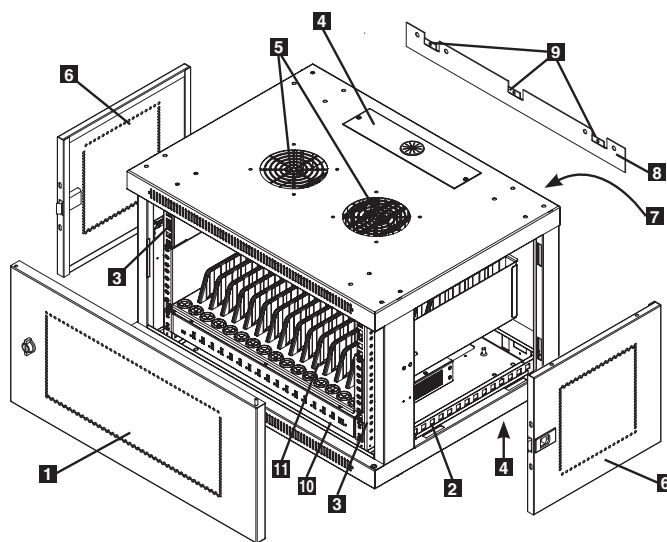
2. Generalidades

Su estación de carga para tabletas es una solución todo en uno para almacenar, sincronizar y cargar a alta velocidad por USB hasta 16, 32 o 48 tabletas, incluyendo los modelos iPad® y Android™. Alojada en un gabinete estándar de 19 pulgadas, su estación de carga para tableta puede instalarse cómodamente en paredes o configurarse también para escritorio o en piso (con ruedas opcionales, se venden por separado). Para evitar robo y sabotaje del dispositivo, su gabinete de estación de carga viene equipado con puertas y paneles laterales de acero con cerradura.

3. Identificación de las características

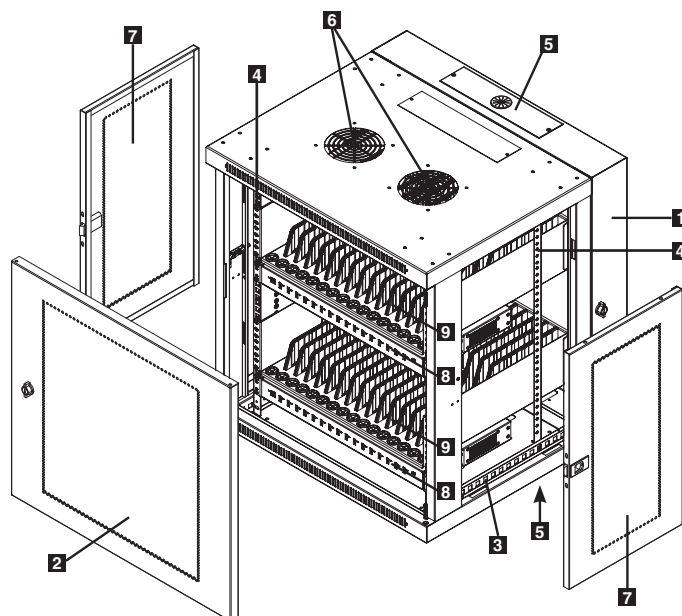
CS16USB(W)

- 1 Puerta frontal con cerradura
- 2 Rieles horizontales
- 3 Rieles de montaje verticales
- 4 Asegurado de Pacas de Acceso de Cableado Superior e Inferior
- 5 Ventilación
- 6 Paneles laterales con cerradura/desmontables
- 7 Muecas de montaje (se encuentran en el panel trasero del rack)
- 8 Placa de montaje (pieza separada)
- 9 Sujetadores de montaje (se encuentran en la placa de montaje)
- 10 Cargador/Hub USB de 16 Puertos Para Instalación en 1U en Rack
- 11 Entrepaño Ajustable para Almacenamiento de 16 tabletas



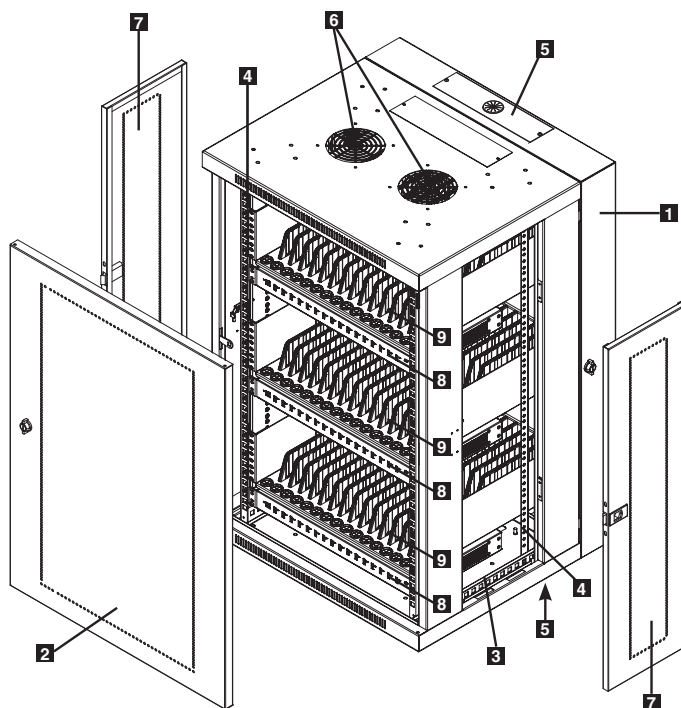
CS32USB(W)

- 1 Puerta trasera con cerradura
- 2 Puerta frontal con cerradura/reversible
- 3 Rieles horizontales
- 4 Rieles de montaje verticales
- 5 Asegurado de Pacas de Acceso de Cableado Superior e Inferior
- 6 Ventilación
- 7 Paneles laterales con cerradura/desmontables
- 8 Cargador/Hub USB de 16 Puertos Para Instalación en 1U en Rack
- 9 Entrepaño Ajustable para Almacenamiento de 16 tabletas



CS48USB(W)

- 1 Puerta trasera con cerradura
- 2 Puerta frontal con cerradura/reversible
- 3 Rieles horizontales
- 4 Rieles de montaje verticales
- 5 Asegurado de Pacas de Acceso de Cableado Superior e Inferior
- 6 Ventilación
- 7 Paneles laterales con cerradura/desmontables
- 8 Cargador/Hub USB de 16 Puertos Para Instalación en 1U en Rack
- 9 Entrepaño Ajustable para Almacenamiento de 16 tabletas



4. Instalación del rack



¡Precaución!



Lea todas las instrucciones y advertencias antes de la instalación.

Advertencia: Los racks pueden ser extremadamente pesados. No intente desembalarlo, moverlo ni instalarlo sin ayuda. Use máxima precaución al manipularlo y asegúrese de seguir todas las instrucciones de manipulación e instalación. No intente instalar equipos sin estabilizar primero el rack.

4.1 Preparación

El rack se debe instalar en una zona estructuralmente sana que pueda soportar su peso, el de todos los equipos que se instalarán en él y cualquier otro rack y/o equipos que se instalarán cerca. Antes de desembalar el rack, debería transportar el contenedor de envío lo más cerca posible de la ubicación de instalación final para minimizar la distancia que necesitará moverlo después de quitarle el embalaje protector. Si planea almacenarlo durante un período prolongado antes de instalarlo, siga las instrucciones de la sección **Almacenamiento y servicio**.

Necesitará algunas herramientas:

- Nivel
- Destornillador Philips
- Herramientas adecuadas para el montaje en la pared

También necesita las siguientes herramientas:

- Herramientas adecuadas para el montaje en la pared (no incluidas)

4.2 Desembalaje



Utilice al menos dos personas para desembalar el rack.



Nota: El gabinete debe moverse cerca de su ubicación de instalación dentro de su contenedor de embarque antes de desempacarlo. Para aplicaciones móviles, use el juego de accesorios de ruedas y manija CSHANDLEKIT.

- 1 Mueva el pálet de envío hacia una superficie firme y nivelada.
- 2 Abra la caja y extraiga los cuatro protectores de goma espuma (gomapluma). Una vez desempacado, examine el interior del gabinete para detectar algún material de empaque adicional. Asegúrese de retirar todos los materiales de empaque del interior y exterior de la unidad. Guarde todos los materiales de embalaje para uso futuro, a menos que esté seguro de que no serán necesarios. Los materiales de embalaje son reciclables.
- 3 Con una persona de cada lado, eleve el rack con cuidado hacia afuera del pálet y colóquelo en una superficie firme y nivelada.
- 4 Examine el rack para detectar daños o partes sueltas. Confirme que estén todas las partes. Si algo falta o está dañado, comuníquese con Tripp Lite para obtener ayuda. No intente usar el rack si está dañado.

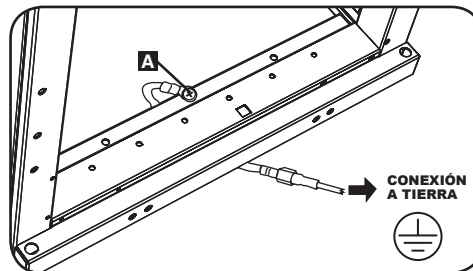


Advertencia: Nunca intente elevar o instalar el rack sin la ayuda adecuada. No intente elevar el rack usted solo.

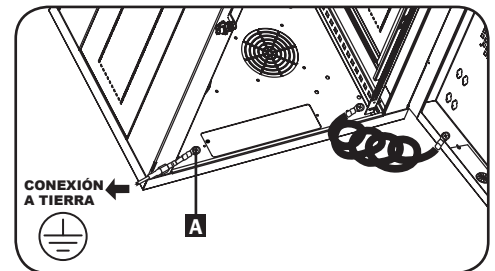


4.3 Conexión a tierra

Todas las partes del rack se deben conectar a tierra al marco del rack. Conecte la conexión a tierra de la instalación en la ranura de conexión a tierra provista utilizando un cable 8 AWG (3.26 mm). **Advertencia: Conecte cada rack a tierra por separado. No use el rack sin una conexión a tierra.**



CS16USB(W)



CS32USB/CS48USB(W)

5. Montaje del rack a la pared

5.1 Instalación de los Modelos de 16 Puertos

Antes del montaje, utilice un nivel y cinta de medir para posicionar el área de montaje en forma precisa. Asegúrese de utilizar pasadores adecuados (no incluidos) para asegurar el rack a la pared.

Advertencia: El área en donde planea montar el rack debe poder soportar el peso del rack y de todos los equipos montados.

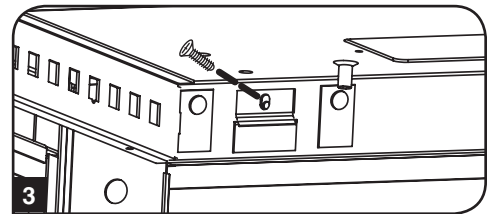
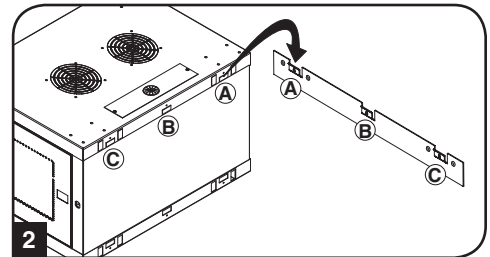
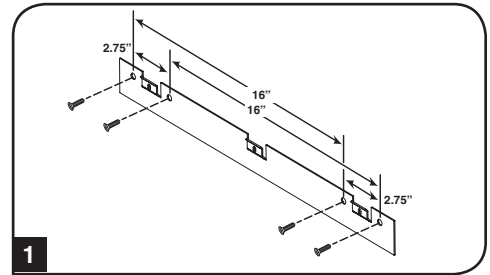
- 1 Utilizando las herramientas suministradas, una la placa de montaje a la pared o a otra superficie de montaje adecuada. Cada orificio de montaje puede albergar un perno de M8 o 5/16 pulgadas y los orificios están espaciados 406 mm (16 pulgadas) para organizar la colocación del pasador estándar, como se muestra en la figura.

Nota: Cuando monte la placa de montaje a la pared, asegúrese de que los tres sujetadores de montaje apunten hacia afuera y al lado opuesto de la pared.

- 2 Una vez que la placa de montaje se haya unido en forma segura a la superficie de montaje, cuelgue las tres muescas de montaje del rack en los tres sujetadores de montaje de la placa unida a la pared. Las muescas encajan en los sujetadores y el rack debe deslizarse hacia abajo por los sujetadores hasta que esté fijo.

Nota: Existen muescas de montaje en los rieles superiores e inferiores del panel trasero. Esto permite el montaje en las posiciones estándar o invertida.

- 3 Una vez que la placa de montaje se haya asegurado y que el rack cuelgue de manera segura, asegure el rack a la placa de montaje instalando los tres tornillos suministrados en los orificios de los sujetadores de montaje como se muestra en la figura.



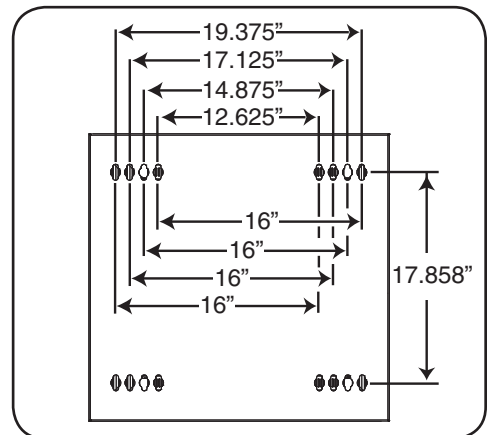
5.2 Instalación de los Modelos de 32 Puertos y de 48 Puertos

Advertencia: No intente instalar la estación de carga y sincronización de tabletas al muro con tabletas u otros dispositivos electrónicos personales adentro.

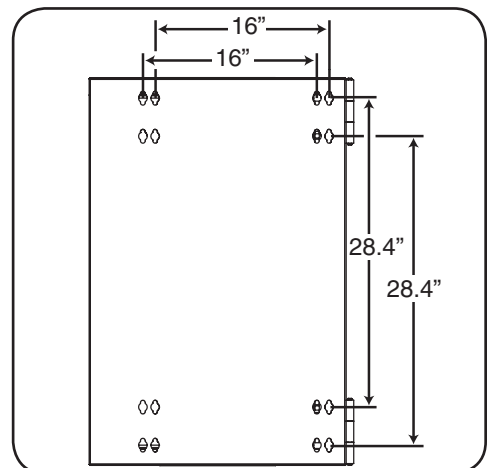
La parte superior de cada gabinete tiene una abertura rectangular para acceso y administración del cableado. En los modelos CS32USB y CS48USB, puede encontrarse una abertura adicional en la parte superior de la puerta posterior del gabinete. Cada abertura puede ser abierta o cerrada atornillando el panel removible de acceso de cables. Cada uno de los cuatro juegos de perforaciones en forma de cerradura está separada horizontalmente a 406.4 mm [16"] entre centros y espaciados en incrementos de 55.9 mm [2.25"] hacia los bordes externos (consulte los diagramas del modelo correspondiente para las dimensiones exactas de las perforaciones).

Utilizando un nivel, mida la posición de las áreas de montaje en forma precisa. Utilice pasadores adecuados (no incluidos) para asegurar el rack a la pared. Una vez que el gabinete cuelga con seguridad en los sujetadores y esté asegurado a la pared, abra la unidad por la puerta posterior y apriete todos los accesorios de instalación.

Nota: El gabinete de carga y sincronización de tabletas debe ser instalado por un técnico calificado. Antes de instalar, use un nivel y cinta métrica para ubicar con precisión su área de instalación. Use sujetadores adecuados (no incluidos) para asegurar la estación de carga y sincronización de tabletas a la pared. Use los medios adecuados de soporte al instalar a bloques de concreto, concreto muros secos o tirantes de madera. **Advertencia: La superficie de apoyo debe ser capaz de soportar con seguridad la carga combinada de todo el hardware y componentes instalados. Para más información sobre pesos y dimensiones de su modelo, vaya a la sección de Especificaciones en la página 17.**



CS32USB(W)



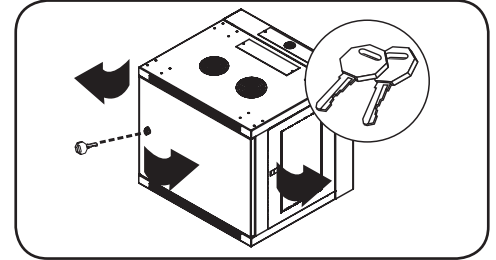
CS48USB(W)

5. Configuración del rack

6.1 Cerraduras de las puertas

Las puertas delanteras y traseras poseen cerraduras con llaves incluidas para acceder a ellas.

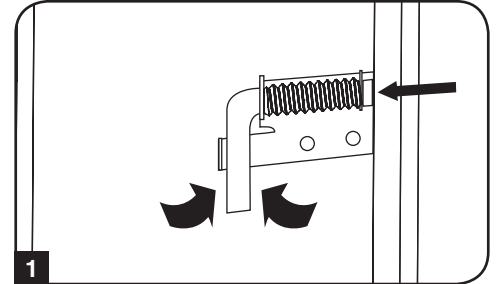
Nota: El modelo CS16USB(W) no contiene una puerta posterior con cerradura.



CS32USB{

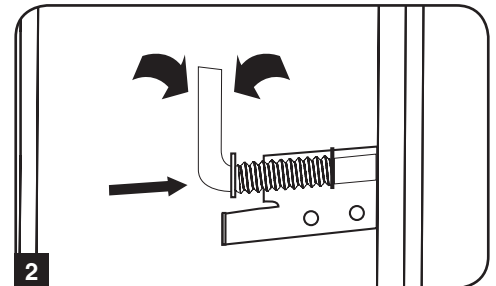
Cada panel lateral se cierra mediante una palanca en forma de L en el interior del rack.

1 Para desbloquear y extraer los paneles laterales, eleve la pata más corta de la "L" y tire de ella hacia fuera del panel lateral. Tire de la pestaña del panel lateral y extráigalo del rack.



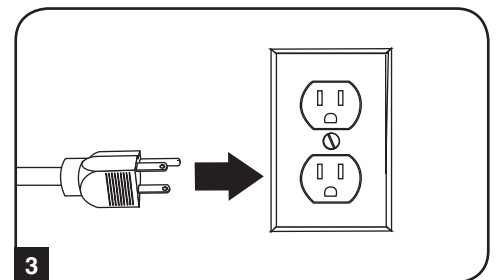
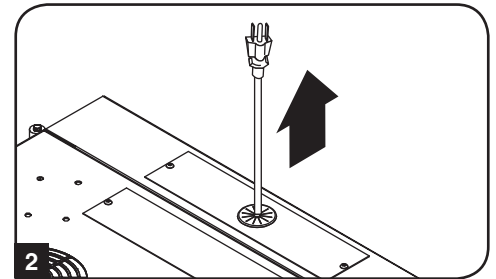
2 Para volver a bloquear los paneles laterales, asegúrelos en la posición correcta, eleve la pata más corta de la "L" y empújela hacia el panel lateral, en el orificio en el que se encontraba originalmente. Una vez que esté ubicado, empuje la pata más corta de la "L" para bloquear.

Nota: Para bloquear y desbloquear los paneles laterales, deberá tener acceso al interior del rack.



6.2 Administración y acceso a los cables

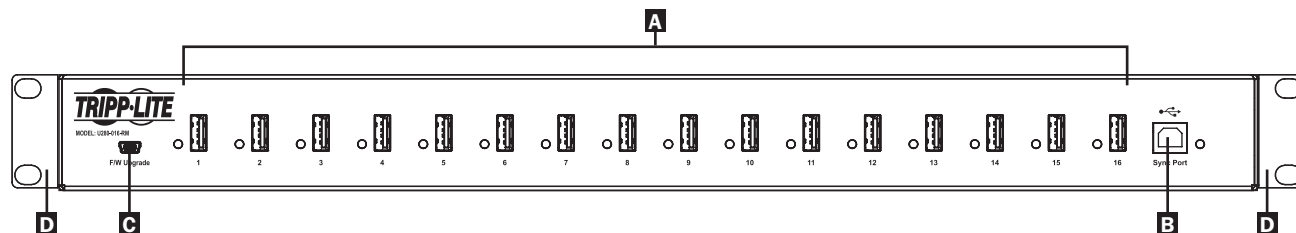
Para conectar la estación de carga y sincronización de tabletas a un tomacorriente, conduzca el cable de alimentación a través de la placa de acceso de cableado superior o inferior que tenga una goma para paso de cables abriendo la puerta delantera y retirando uno o ambos paneles laterales (como se muestra en la sección 6.1) **1**. Empuje después la clavija de alimentación a través de la goma de paso de cables superior o inferior **2** y conduzca el cable a su tomacorriente de pared, de 3 patas, más próximo con conexión a tierra **3**.



7. Cargador/Hub USB de 16 Puertos

7.1 Características del Cargador/Hub USB

- El cargador/hub USB de grado profesional carga y sincroniza hasta 16 dispositivos con USB, incluyendo iPads®, iPods® y iPhones® y tabletas y smartphones Android™.
- Proporciona a cada puerto USB un nivel de carga óptimo para un dispositivo en particular (hasta 2.4 Amperes).
- Permite realizar la sincronización para cualquier dispositivo diseñado para comunicaciones de datos por USB, mediante software compatible para administración de archivos.
- Sincroniza dispositivos Syncs Apple® mediante el software iTunes® o Apple Configurator.
- El Puerto Mini-USB para Actualización de Firmware permite futuras actualizaciones de software a soporte dispositivos nuevos.
- El alojamiento para instalación en rack 1U puede configurarse para instalaciones profesionales, educativas o personales.
- La entrada IEC C14 facilita las conexiones de alimentación, sin importar la región o requerimiento de voltaje.



A Puertos para Dispositivos con USB de 2.4A, con Indicadores LED (16 en total)

B Puerto de Sincronización de Computadora

C Cable para Actualización de Firmware

D Orejas para Instalación (Desprendibles)

7.2 Conexión de Dispositivos al Cargador/Hub USB

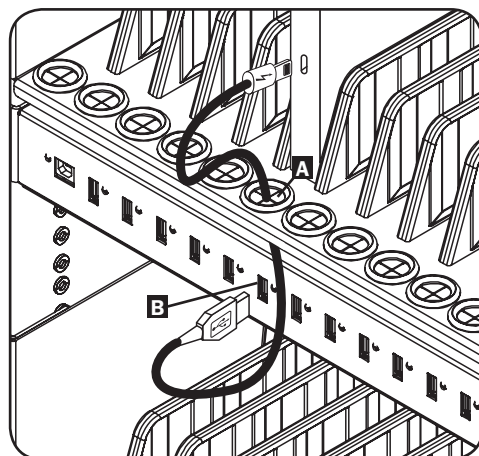
Cada entrepaño de almacenamiento cuenta con 16 bujes relevadores de tensión que evitan que los conectores de dispositivos con cable USB se salgan por el buje. **A**. Usando un cable USB blindado suministrado por el usuario o del fabricante del dispositivo, conecte el cable USB al dispositivo por cargar. Pase entonces el extremo del cable por el buje relevador de tensión en el entrepaño de almacenamiento y conecte el conector USB en un puerto de carga USB **B**. Repita para todos los dispositivos.

Tripp Lite ofrece cables individuales y en paquetes de 10 para dispositivos Apple® que usan cables USB a 30 Pines o USB a Lightning™, así como cables individuales y en paquetes de 10 para dispositivos USB 3.0 o 2.0 usando cables USB A (macho) a Micro B (macho) de 5 Pines.

Tipo de Cable	Cable Individual Número de Modelo	Paquete de 10 Cables Número de Modelo
Conector Apple USB a 30 Pines, 25.4 cm [10"]	M110-10N-BK	M110-10N-BK-10
Conector Apple USB a Lightning de 8 Pines, 25.4 cm [10"]	M100-10N-BK	M100-10N-BK-10
USB 3.0 SuperSpeed A (Macho) a Micro-B (Macho) de 5 Pines, 30.5 cm [1']	U326-001-BK	U326-001-BK-10
USB 2.0 Reversible A (Macho) a Micro-B (Macho) de 5 Pines, 30.5 cm [1']	UR050-001*	UR050-001-10*

* Cuenta con un conector USB A (macho) reversible para instalaciones simplificadas.

Para más información sobre nuestra selección de cables USB premium, visite www.tripplite.com.



7.3 Conexión de una Computadora al Cargador/Hub USB

Además del dispositivo de carga, el Cargador/Hub USB está equipado con una función de hub que sincroniza dispositivos y sus aplicaciones respectivas de software mediante una computadora conectada. Para permitir la función de hub utilice el cable USB incluido para conectar el conector USB B en el puerto de sincronización del Cargador/Hub USB y el conector USB A en el puerto USB de una computadora.

Nota: Cuando se ha establecido una conexión con una computadora y estén conectados múltiples dispositivos al Cargador/Hub USB (Modelo: U280-016-RM), la tasa de carga se reducirá durante la sincronización y se restablecerá la tasa de carga normal una vez terminada ésta.

Nota: El Puerto de Actualización de Firmware requiere una conexión mini-USB (cable no incluido).

8. Ajuste de los Divisores de Estante de Almacenamiento

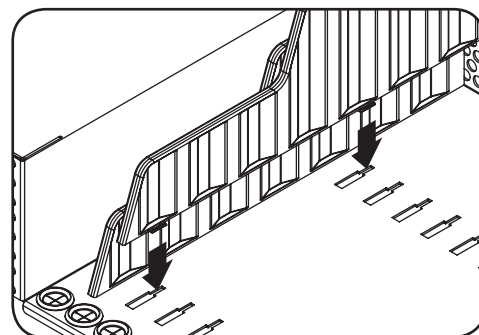
Su estación de carga para tabletas viene con uno (CS16USB), dos (CS32USB) o tres (CS48USB) entrepaños de almacenamiento con divisores ajustables que pueden acomodar cada uno hasta 16 dispositivos electrónicos personales por entrepaño.

8.1 Ajuste de los Entrepaños en los Modelos de 16 Puertos

Retire cualquier dispositivo electrónico que se encuentre en el entrepaño. Remueva entonces el entrepaño del gabinete desatornillando los 4 sujetadores instalados en los dos rieles frontales del rack. Una vez que se ha removido el entrepaño, reacomode los divisores jalándolos hacia afuera o encajándolos dentro del entrepaño.

8.2 Ajuste de los Entrepaños en los Modelos de 32 Puertos y 48 Puertos

Para recolocar un divisor, retire primero cualquier dispositivo electrónico que se encuentre en el entrepaño. Entonces desasegure y abra la puerta posterior del gabinete. Desde la parte frontal o posterior del gabinete, reacomode los divisores jalándolos hacia afuera o encajándolos dentro del entrepaño. Repítalo conforme sea necesario para los entrepaños adicionales.



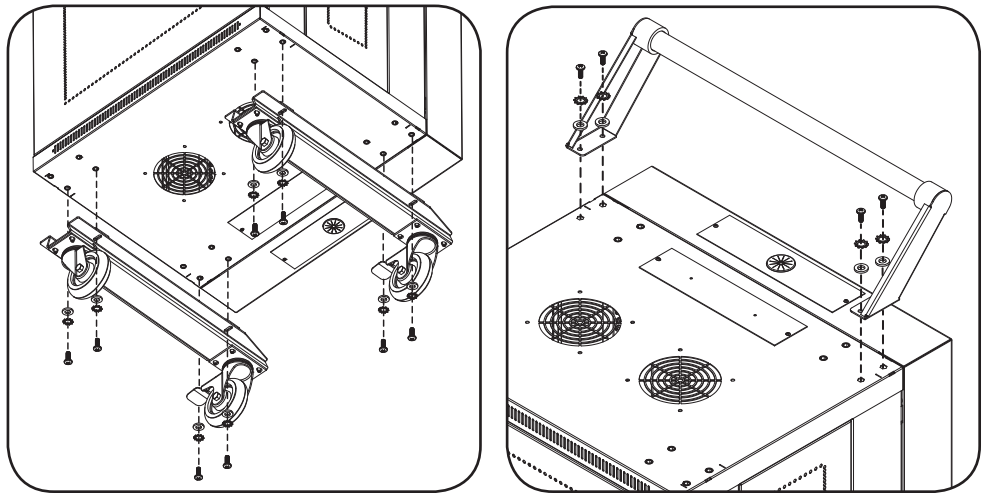
9. Especificaciones

Modelo	CS16USB	CS32USB	CS48USB
Dimensiones (Al x An x P)	368 x 600 x 445 mm (14.5 x 23.63 x 17.5 pulg.)	548 x 600 x 549 mm (21.6 x 23.63 x 21.6 pulg.)	905 x 600 x 549 mm (35.6 x 23.6 x 21.6 pulg.)
Peso de la unidad	13 kg (29 lb.)	25 kg (55 lb.)	43.5 kg (96 lb.)
Capacidad de carga*	90 kg (200 lb.) Estacionario o rondante	90 kg (200 lb.) Estacionario o rondante	113 kg (250 lb.) Estacionario o rondante
Profundidad de Instalación del Gabinete (Ajustable)	76 a 419 mm (3 a 16.5 pulg.)	76 a 521 mm (3 a 20.5 pulg.)	76 a 521 mm (3 a 20.5 pulg.)
Puertos de Cargador/Hub	16 x USB 2.0 A (Hembra) 1 x USB 2.0 B (Hembra) 1 x USB 2.0 mini (Hembra)	32 x USB 2.0 A (Hembra) 2 x USB 2.0 B (Hembra) 2 x USB 2.0 mini (Hembra)	48 x USB 2.0 A (Hembra) 3 x USB 2.0 B (Hembra) 3 x USB 2.0 mini (Hembra)
Velocidad de Transmisión	Hasta 480 Mbps	Hasta 480 Mbps	Hasta 480 Mbps
Requerimiento de Energía	Entrada: 110-240V, 2.5A, 50/60 Hz Salida: 5.0V, 2.4A Max (por puerto USB)	Entrada: 110-240V, 2.5A, 50/60 Hz Salida: 5.0V, 2.4A Max (por puerto USB)	Entrada: 110-240V, 2.5A, 50/60 Hz Salida: 5.0V, 2.4A Max (por puerto USB)
Temperatura de Operación	0° a 40° C (32° a 104° F)	32° to 104° F 0° to 40° C	32° to 104° F 0° to 40° C
Humedad de Funcionamiento	5 a 95% de HR, Sin Condensación	5 a 95% de HR, Sin Condensación	5 a 95% de HR, Sin Condensación
Número de Unidades de Cargador/Hub	1	2	3
Dimensiones de Cargador/Hub por Unidad (Al x An x Pr)	45 x 445 x 240 mm (1.75 x 17.5 x 9.5 pulg.)	45 x 445 x 240 mm (1.75 x 17.5 x 9.5 pulg.)	45 x 445 x 240 mm (1.75 x 17.5 x 9.5 pulg.)
Material del Gabinete	Metal	Metal	Metal
Aprobaciones Regulatorias	UL 60950, TUV (EE. UU. y Canadá), NOM (México) y RoHS	UL 60950, TUV (EE. UU. y Canadá), NOM (México) y RoHS	UL 60950, TUV (EE. UU. y Canadá), NOM (México) y RoHS

*La capacidad de carga total para montar en pared requiere una superficie de montaje capaz de soportar toda la carga. Las aplicaciones rodantes requieren el juego de accesorios CSHANDLEKIT opcional. Las especificaciones están sujetas a cambio sin previo aviso.

10. Ruedas y Manija Opcionales

Para aplicaciones que requieran movilidad extra, un juego opcional de ruedas y manija (**Modelo: CSHANDLEKIT**) contiene dos ruedas giratorias/asegurables, dos ruedas solamente giratorias y una manija que se instala en la parte superior de una unidad de estación de carga. Para instrucciones de instalación adicionales, refiérase al manual incluido con el CSHANDLEKIT.



11. Almacenamiento y servicio

Almacenamiento

El rack debe almacenarse en un ambiente interior controlado, lejos de la humedad, temperaturas extremas, líquidos y gases inflamables, contaminantes conductores, el polvo y la luz directa del sol. Si es posible, almacénelo en su contenedor de envío original.

Servicio

El rack está cubierto por la garantía limitada que se describe en este manual. Para obtener más información, visite www.tripplite.com/support.

12. Garantía

GARANTÍA LIMITADA DE 2 AÑOS

El vendedor garantiza que este producto no tiene defectos originales de materiales ni de mano de obra por un período de dos años a partir de la fecha original de compra, si se utiliza de acuerdo con todas las instrucciones correspondientes. En caso de demostrarse dentro de ese período que el producto tiene defectos de materiales o de mano de obra, el vendedor lo reparará o reemplazará a su exclusiva discreción. El servicio técnico bajo esta garantía solo puede ser obtenido si usted entrega o envía el producto (con todos los cargos de envío o entrega prepagos) a: Tripp Lite; 1111 W. 35th Street; Chicago IL 60609; EE. UU. El vendedor abonará los cargos de envío de devolución. Visite www.tripplite.com/support antes de enviar cualquier equipo para reparación.

ESTA GARANTÍA NO CUBRE EL DESGASTE NORMAL NI LOS DAÑOS CAUSADOS POR ACCIDENTES, MAL USO, ABUSO O NEGLIGENCIA. EL VENDEDOR NO OFRECE NINGUNA GARANTÍA EXPRESA QUE NO SEA LA ESTABLECIDA EXPRESAMENTE EN EL PRESENTE DOCUMENTO. EXCEPTO EN LA MEDIDA EN QUE LO PROHIBAN LAS LEYES APLICABLES, LA DURACIÓN DE TODAS LAS GARANTÍAS IMPLÍCITAS, INCLUIDAS LAS DE COMERCIABILIDAD O APTITUD, SE LIMITA AL PERÍODO DE GARANTÍA ANTES MENCIONADO Y ESTA GARANTÍA EXCLUYE EXPRESAMENTE TODOS LOS DAÑOS INCIDENTALES E INDIRECTOS. (Algunos Estados no permiten las limitaciones a la duración de una garantía implícita y algunos Estados no permiten la exclusión o limitación de los daños incidentales o indirectos, de modo que las limitaciones o exclusiones antes mencionadas pueden no corresponder en su caso. Esta garantía le otorga derechos legales específicos y usted puede tener otros derechos que varían de una jurisdicción a otra).

ADVERTENCIA: Antes de usar este dispositivo, cada usuario debe ocuparse de determinar si es apto, adecuado o seguro para el uso que pretende darle. Dado que las aplicaciones individuales están sujetas a diversas variaciones, el fabricante no representa ni garantiza la idoneidad o condición de estos dispositivos para cualquier aplicación específica.

Cumplimiento de las normas de los números de identificación

Para fines de identificación y certificación del cumplimiento de las normas, su producto Tripp Lite tiene asignado un número de serie único. Puede encontrar el número de serie en la etiqueta de la placa de identificación del producto, junto con los símbolos de aprobación e información requeridos. Al solicitar información sobre el cumplimiento de las normas para este producto, siempre mencione el número de serie. El número de serie no debe ser confundido con el nombre de identificación ni con el número de modelo del producto.

Información de sobre Cumplimiento de la WEEE para Clientes de Tripp Lite y Recicladores (Unión Europea)



Según la Directiva de Residuos de Aparatos Eléctricos y Electrónicos (Waste Electrical and Electronic Equipment, WEEE) y sus reglamentos, cuando los clientes compran nuevos equipos eléctricos y electrónicos a Tripp Lite, tienen derecho a:

- Enviar equipos antiguos para reciclaje según una base de uno por uno, entre productos similares (esto varía dependiendo del país)
- Enviar el equipo nuevo de vuelta para reciclaje cuando este se convierta finalmente en desecho

Tripp Lite tiene una política de mejoramiento continuo. Las especificaciones están sujetas a cambio sin previo aviso.

TRIPP·LITE



Manuel du propriétaire

Station de charge et de synchronisation de la tablette

Modèles à 16 ports : CS16USB, CS16USBW

Modèles à 32 ports : CS32USB, CS32USBW

Modèles à 48 ports : CS48USB, CS48USBW

Table des matières

1. Consignes de sécurité importantes	20	7. Chargeur/concentrateur USB à 16 ports	25
2. Vue d'ensemble	20	7.1 Caractéristiques du chargeur USB /concentrateur	25
3. Identification des caractéristiques	21	7.2 Connecter les appareils au concentrateur/chargeur USB	25
4. Installation de l'enceinte	22	7.3 Connecter un ordinateur au concentrateur/chargeur USB	25
4.1 Préparation	22	8. Réglage des diviseurs de l'étagère de rangement	26
4.2 Déballage	22	8.1 Réglage des diviseurs d'étagère des modèles à 16 ports	26
4.3 Raccordement au sol	22	8.2 Réglage des diviseurs d'étagère des modèles à 32 ports et 48 ports	26
5. Montage mural de l'enceinte	23	9. Spécifications	26
5.1 Montage des modèles à 16 ports	23	10. Roulettes et poignée en option	27
5.2 Montage des modèles à 32 ports et 48 ports	23	11. Entreposage et entretien	27
6. Configuration de l'enceinte	24	12. Garantie	27
6.1 Serrures des portes	24	English	1
6.2 Accès et gestion des câbles	24	Español	10



1111 W. 35th Street, Chicago, IL 60609 USA • www.tripplite.com/support

Copyright © 2015 Tripp Lite. Tous droits réservés. Toutes les marques de commerce sont la propriété de leurs propriétaires respectifs.

1. Consignes de sécurité importantes



CONSERVEZ CES INSTRUCTIONS

Ce manuel contient des instructions et des avertissements qui doivent être respectés lors de l'installation et du fonctionnement du produit décrit dans ce manuel. Le non-respect de ces instructions et avertissements peut annuler la garantie et causer des dommages matériels ou corporels.

Unité du chargeur USB/concentrateur :

- Pour retirer le chargeur USB/concentrateur de l'alimentation du secteur, l'entrée de l'appareil sert de dispositif de déconnexion.
- Si une des situations suivantes se présente, prendre un rendez-vous pour faire inspecter votre équipement par un technicien en entretien :
 - L'équipement a été exposé à l'humidité.
 - L'équipement a été échappé et endommagé.
 - L'équipement montre des signes évidents de dommages.
 - L'équipement ne fonctionne pas correctement ou ne fonctionne pas conformément aux directives du manuel de l'utilisateur.
- Il est déconseillé d'utiliser cet équipement dans des applications médicales où une panne de cet équipement pourrait normalement provoquer la panne de l'équipement de survie ou altérer notablement sa sécurité ou son efficacité.
- Ne pas utiliser cet équipement en présence d'un mélange anesthésique inflammable avec de l'air, de l'oxygène ou de l'oxyde nitreux.

Enceinte murale :

- Conservez l'enceinte dans un environnement contrôlé à l'intérieur, loin de l'humidité extrême, des liquides inflammables et des gaz, des contaminants conducteurs, de la poussière et des rayons directs du soleil.
- Laissez un espace adéquat à l'avant et l'arrière du l'enceinte pour une bonne ventilation. Ne pas obstruer, couvrir ou insérer d'objets dans les orifices de ventilation externe de l'enceinte.
- L'enceinte est extrêmement lourde. Soyez prudent lorsque vous manipulez l'enceinte. Ne tentez pas de la déballer, de la déplacer ou de l'installer sans aide.. Utilisez un dispositif mécanique tel qu'un chariot élévateur ou un transpalette pour déplacer l'enceinte dans l'emballage de transport.
- Ne placez aucun objet sur l'enceinte, en particulier des récipients de liquide et ne tentez pas d'empiler les enceintes.
- Inspectez l'emballage de transport et l'enceinte pour tout dommage subi pendant le transport. N'utilisez pas l'enceinte si elle est endommagée.
- Laissez l'enceinte dans l'emballage de transport jusqu'à ce qu'elle ait été déplacée le plus près de l'emplacement d'installation possible.
- Pour les installations montées au mur, s'assurer d'abord que la surface du mur va supporter sans risque la charge combinée de l'équipement et de tout le matériel et composants attachés.
- Pour les installations au plancher, s'assurer que l'appareil est placé dans un endroit solidement construit capable de supporter le poids du boîtier, de tout l'équipement qui sera installé et de tout autre boîtiers et/ou équipement qui sera installé à proximité.
- Le boîtier doit être installé par un électricien qualifié.
- Utiliser un moyen de montage approprié pour l'installation sur des blocs de béton, du béton, des cloisons sèches ou des montants de bois.
- Faites preuve de prudence lors de la découpe des matériaux d'emballage. L'enceinte peut être rayée, causant des dommages non couverts par la garantie.
- Conservez tous les matériaux d'emballage pour une utilisation ultérieure. Remballer et expédier l'enceinte sans l'emballage d'origine peut causer des dommages au produit qui annuleront la garantie.

Si vous installez la trousse d'accessoires pour roulettes et poignée CSHANDLEKIT— consulter le section 10 pour l'installation des roulettes :

- Ne poussez pas le support pour déplacer les panneaux latéraux. Ainsi, il existe un risque de basculement.
- Lorsque vous roulez l'enceinte sur ses roulettes, poussez toujours par derrière, jamais vers vous.
- Une enceinte en roulement peut causer des blessures corporelles et des dommages matériels si elle n'est pas correctement supervisée. Si l'enceinte doit rouler sur une rampe, faites preuve d'une extrême prudence. Ne pas tenter d'utiliser des rampes qui ont une pente supérieure à 12 %.

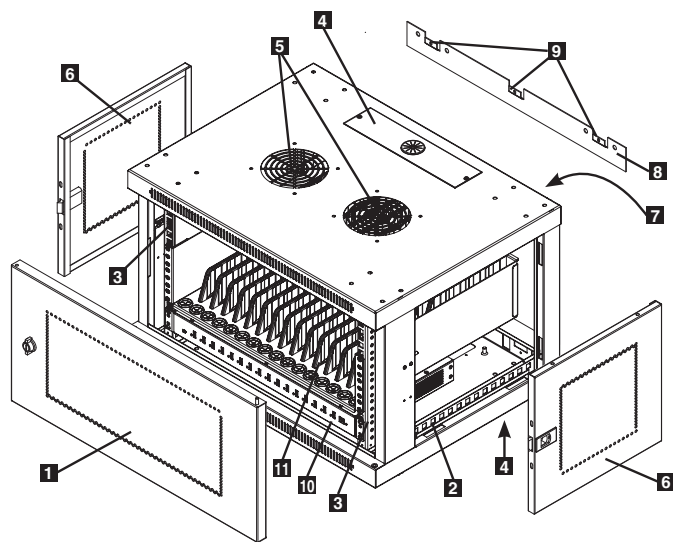
2. Vue d'ensemble

La station de chargement de votre tablette est une solution tout-en-un pour ranger, synchroniser et charger par USB à haute vitesse jusqu'à 16, 32 ou 48 tablettes, y compris les modèles iPads® et Android™. Logée dans un boîtier pour bâti standard de 48,26 cm (19 po), la station de charge de votre tablette peut être commodément montée aux murs de même que configurée pour un ordinateur de bureau ou placée sur le plancher (avec des roulettes en option, vendues séparément). Pour prévenir le vol et l'altération de l'appareil, le boîtier de la station de charge de votre tablette est équipé de portes en acier verrouillables et de panneaux latéraux.

3. Identification des caractéristiques

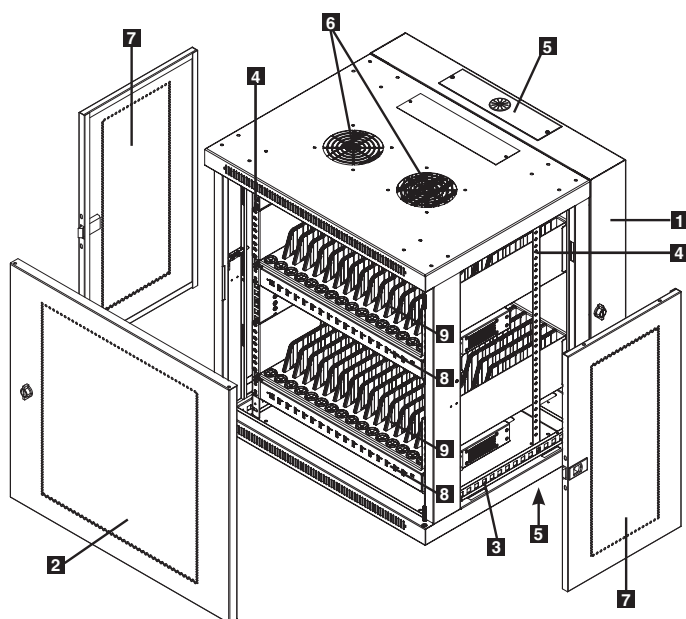
CS16USB(W)

- 1 Porte avant de verrouillage
- 2 Rails horizontaux
- 3 Rails de montage verticaux
- 4 Bien fixer les plaques d'accès aux câbles supérieure et inférieure
- 5 Événements
- 6 Panneaux latéraux réversibles/verrouillables
- 7 Encoches de montage (présente sur le panneau arrière de l'enceinte)
- 8 Plaque de montage (pièce séparée)
- 9 Crochets de montage (présents sur la plaque de montage)
- 10 Chargeur/concentrateur USB à 16 ports pouvant être monté en bâti 1U
- 11 Étagère de rangement réglable pour 16 tablettes



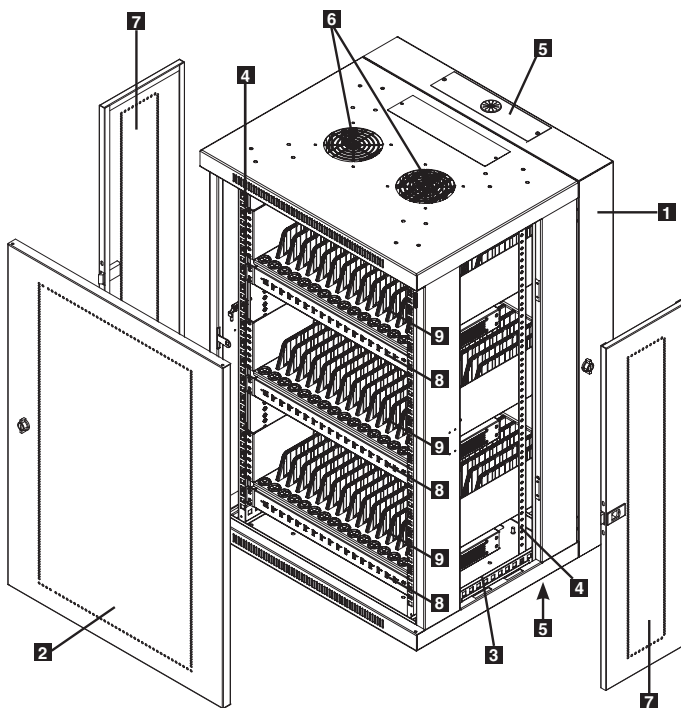
CS32USB(W)

- 1 Porte arrière de verrouillage
- 2 Porte avant réversible de verrouillage
- 3 Rails horizontaux
- 4 Rails de fixation verticaux
- 5 Bien fixer les plaques d'accès aux câbles supérieure et inférieure
- 6 Événements
- 7 Panneaux latéraux amovibles/verrouillables
- 8 Chargeur/concentrateur USB à 16 ports pouvant être monté en bâti 1U
- 9 Étagère de rangement réglable pour 16 tablettes



CS48USB(W)

- 1 Porte arrière de verrouillage
- 2 Porte avant réversible de verrouillage
- 3 Rails horizontaux
- 4 Rails de fixation verticaux
- 5 Bien fixer les plaques d'accès aux câbles supérieure et inférieure
- 6 Événements
- 7 Panneaux latéraux amovibles/verrouillables
- 8 Chargeur/concentrateur USB à 16 ports pouvant être monté en bâti 1U
- 9 Étagère de rangement réglable pour 16 tablettes



4. Installation de l'enceinte



Attention!



Lisez toutes les instructions et les avertissements avant l'installation!

Attention : Les enceintes peuvent être extrêmement lourdes. N'essayez pas de les déballer, de les déplacer ou de les installer sans assistance. Soyez extrêmement prudent lorsque vous manipulez l'enceinte et assurez-vous de suivre toutes les manipulations et les instructions d'installation. N'essayez pas d'installer des équipements sans avoir d'abord stabilisé l'enceinte.

4.1 Préparation

L'enceinte doit être installée dans une zone structurellement capable de supporter le poids de l'enceinte, tout le matériel qui sera installé dans l'enceinte et toute autre enceinte et/ou équipement qui sera installé à proximité. Avant de déballer l'enceinte, vous devriez transporter l'emballage de transport près de l'emplacement d'installation définitive pour minimiser la distance que vous aurez besoin de déplacer l'appareil une fois que l'emballage de protection a été retiré. Si vous prévoyez entreposer l'enceinte pendant une période prolongée avant l'installation, suivez les instructions dans la section **Entreposage et entretien**.

Vous avez besoin de plusieurs outils :

- Niveau
- Tournevis cruciforme
- Outils appropriés au montage mural

Vous avez aussi besoin du matériel suivant :

- Matériel approprié pour un montage mural (non inclus)

4.2 Déballage



Utilisez au moins deux personnes pour déballer l'enceinte.



Remarque : Le boîtier doit être déplacé à proximité de son emplacement d'installation à l'intérieur de son conteneur d'expédition avant qu'il ne soit déballé. Pour les applications mobiles, utiliser la trousse d'accessoires pour roulettes et poignée CSHANDLEKIT.

1 Déplacez la palette d'expédition sur une surface solide et plane.

2 Ouvrez la boîte et enlever les quatre protecteurs de coin en mousse. Lors du déballage, examiner l'intérieur de l'armoire pour du matériel d'emballage supplémentaire. S'assurer d'enlever tout le matériel d'emballage de l'intérieur et de l'extérieur de l'appareil. Conservez tous les matériaux d'emballage pour une utilisation ultérieure, sauf si vous êtes certain(e) qu'ils ne seront pas nécessaires. Les matériaux d'emballage sont recyclables.

3 Avec une personne de chaque côté, soulevez l'enceinte délicatement hors de la palette et placez-la sur une surface ferme et plane.

4 Examinez l'enceinte pour tout dommage ou pièce détachée. Confirmez que toutes les pièces sont présentes. Si quelque chose est manquant ou endommagé, contactez Tripp Lite pour de l'aide. Ne tentez pas d'utiliser l'enceinte si elle a été endommagée.

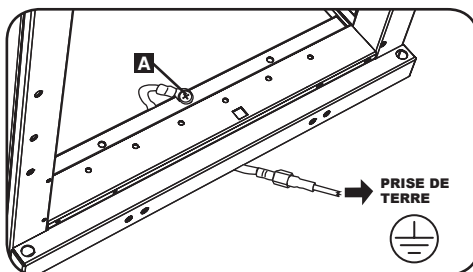


Attention : N'essayez jamais de soulever ou d'installer sans aide. N'essayez pas de soulever l'enceinte seul.

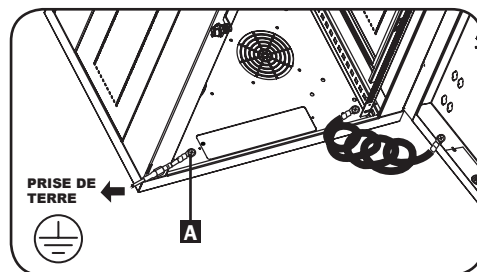


4.3 Mise à la terre

Toutes les pièces du coffret sont mises à la terre au châssis du coffret. Connecter la prise de terre de votre installation au goujon de mise à la terre **A** à l'aide d'un fil de calibre 8 AWG (3,264 mm). **Avertissement : brancher chaque coffret à une mise à la terre séparée. Ne pas utiliser le coffret sans connexion de mise à la terre.**



CS16USB(W)



CS32USB/CS48USB(W)

5. Montage au mur de l'enceinte

5.1 Montage des modèles à 16 ports

Avant l'installation, utilisez un ruban à mesurer et un niveau pour positionner la zone d'installation avec précision. Veillez à utiliser les attaches appropriées (non incluses) pour fixer l'enceinte au mur.

Attention: L'endroit où vous prévoyez installer l'enceinte doit être capable de supporter le poids de l'enceinte et tout l'équipement installé.

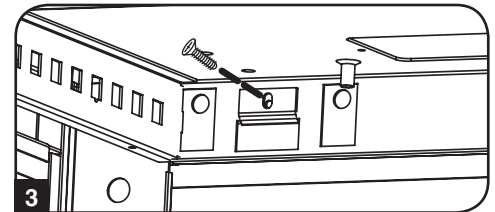
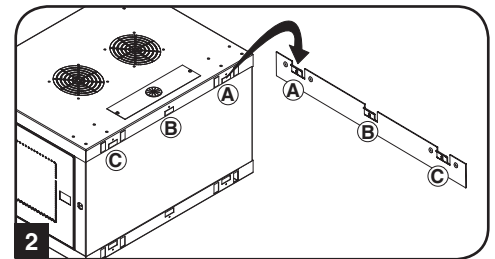
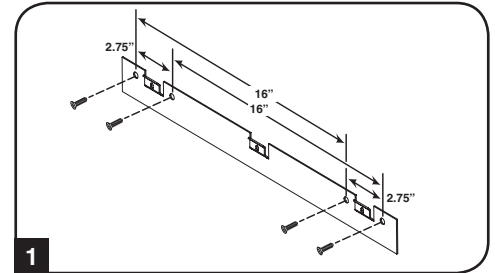
- 1 En utilisant le matériel fourni par l'utilisateur, fixez la plaque de montage au mur ou toute autre surface d'installation appropriée. Chaque trou de montage peut accueillir un boulon M8 ou un boulon de 5/16 po et les trous sont espacés de 406 mm (16 po) pour faciliter son positionnement standard tel qu'indiqué dans le diagramme.

Remarque : Lors de l'installation de la plaque de montage au mur, assurez-vous que les trois crochets de fixation sont tournés vers l'extérieur et loin du mur.

- 2 Une fois que la plaque de montage a été solidement attachée à la surface d'installation, accrochez trois crans de l'enceinte sur les trois crochets de fixation sur la plaque fixée au mur. Les encoches iront parfaitement sur les crochets et l'enceinte devrait glisser sur les crochets jusqu'à la butée.

Remarque : Les encoches de fixation existent sur les deux rails supérieurs et inférieurs du panneau arrière. Cela permet d'effectuer une installation dans les positions standard ou inverse.

- 3 Une fois que la plaque de montage a été mise en place et l'enceinte accrochée correctement, sécurisez l'enceinte à la plaque de montage en installant les trois vis fournies dans les trous sur les crochets de fixation tel qu'indiqué.



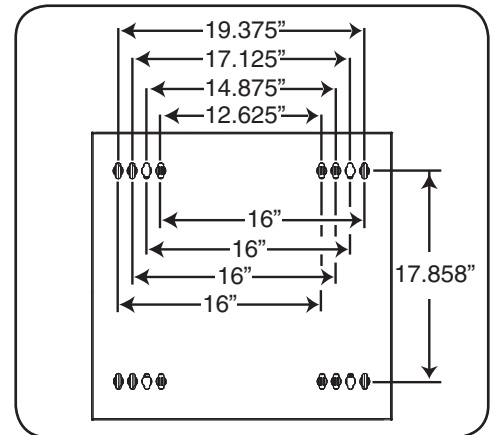
5.2 Montage des modèles à 32 ports et 48 ports

Avertissement : Ne pas tenter de monter la station de charge et de synchronisation pour tablette au mur avec des tablettes ou autres appareils électroniques personnels à l'intérieur.

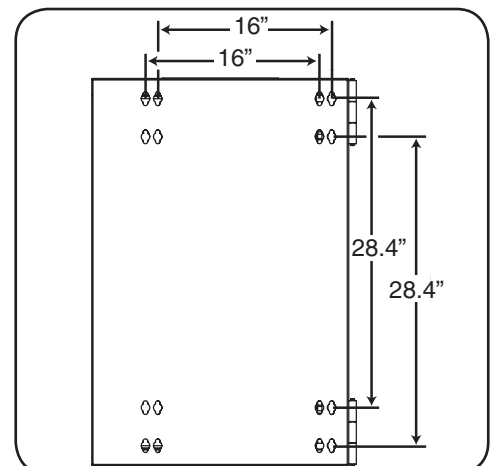
Le dessus de chaque armoire comporte une ouverture rectangulaire pour l'accès et la gestion des câbles. Pour les modèles CS32USB et CS48USB, une ouverture supplémentaire se trouve sur le dessus de la porte arrière du boîtier. Chaque ouverture peut être ouverte ou fermée en vissant le panneau d'accès amovible pour les câbles. Chacun des quatre trous de serrure sont centrés à 40,64 cm (16 po) l'un de l'autre sur le plan horizontal et sont espacés de 5,72 cm (2,25 po) vers les bords extérieurs (voir les diagrammes correspondant à chaque modèle pour les mesures exactes des trous de serrure).

A l'aide d'un niveau à bulle, mesurez pour situer vos zones de montage avec précision. Utilisez les dispositifs de fixation appropriés (non inclus) pour fixer l'enceinte au mur. Une fois le boîtier solidement suspendu sur les pièces de fixation ou solidement fixé au mur, ouvrez la porte arrière de l'appareil et serrez toute la quincaillerie de montage.

Remarque : Le boîtier de la station de charge et de synchronisation pour tablette doit être installé par un électricien qualifié. Avant le montage, utilisez un niveau et un ruban à mesurer afin de positionner votre aire de montage de façon précise. Utilisez des fixations appropriées (non incluses) pour bien fixer la station de charge et de synchronisation pour tablette au mur. Utilisez un moyen de montage approprié pour l'installation sur des blocs de béton, du béton, des cloisons sèches ou des montants de bois. **Avertissement : La surface d'appui doit pouvoir supporter sans danger la charge combinée de l'équipement et toute la quincaillerie et les composants attachés. Consulter la section Spécifications à la page 26 pour plus de détails sur le poids et les dimensions de votre modèle.**



CS32USB(W)



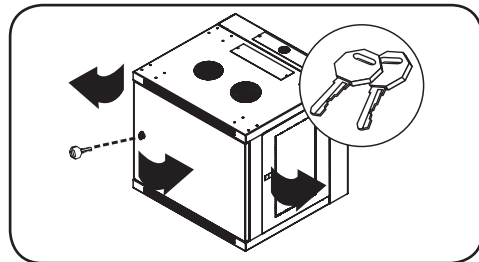
CS48USB(W)

6. Configuration de l'enceinte

6.1 Serrures de portes

Les portes avant et arrière ont des serrures qui sont accessibles avec les clés incluses.

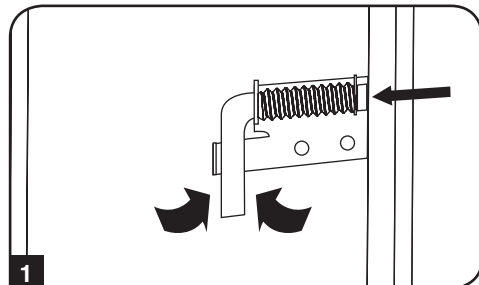
Remarque : Le modèle CS16USB(W) ne contient pas de porte arrière verrouillable.



CS32USB(W)

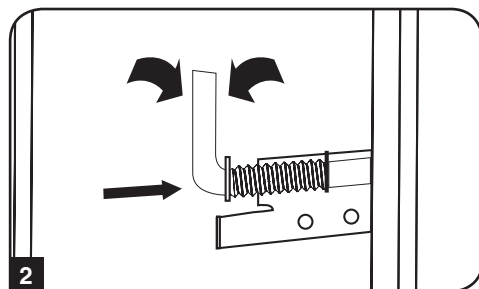
Chaque panneau latéral se verrouille avec un levier en forme de L à l'intérieur de l'enceinte.

1 Pour déverrouiller et retirer les panneaux latéraux, soulevez la jambe la plus courte du « L » et retirez-la de la paroi latérale. Tirez la languette sur le panneau latéral et retirez-la de l'enceinte.



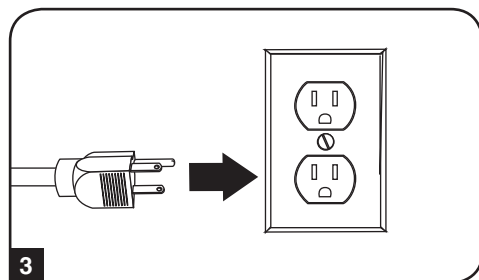
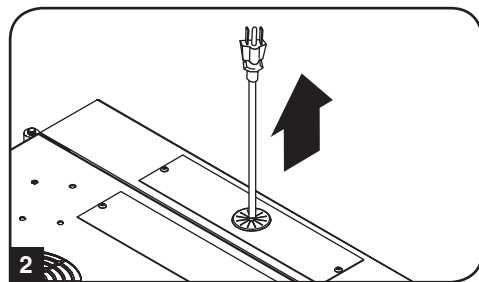
2 Pour verrouiller de nouveau les panneaux latéraux, sécurisez-les dans la bonne position, soulevez la jambe la plus courte du « L » et poussez-la vers le panneau latéral dans le trou initial. Une fois qu'il est en place, poussez la jambe la plus courte du « L » afin de le verrouiller.

Remarque : Pour verrouiller et déverrouiller les panneaux latéraux, vous aurez besoin d'avoir accès à l'intérieur de l'enceinte.



6.2 Accès et gestion des câbles

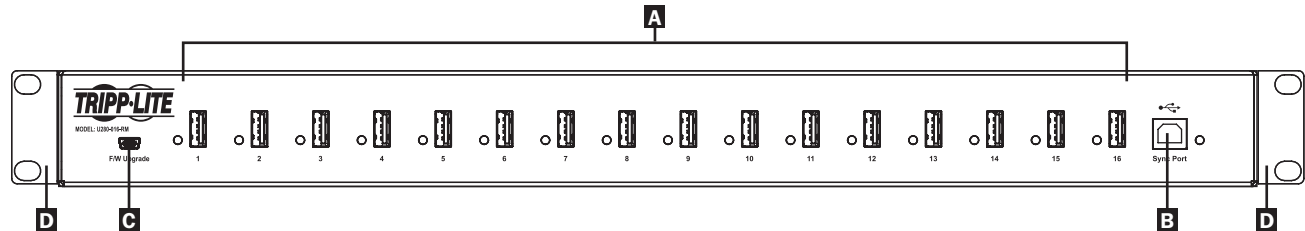
Pour raccorder la station de charge et de synchronisation pour tablette à une prise d'alimentation, acheminer le cordon d'alimentation à travers la plaque d'accès aux câbles supérieure ou inférieure comportant un passe-fil en déverrouillant la porte avant et en retirant un ou les deux panneaux latéraux (tel qu'illustré dans la section 6.1) **1**. Pousser ensuite la fiche d'entrée à travers le passe-fil supérieur ou inférieur **2** et acheminer le cordon vers la prise murale à trois broches mise à la masse la plus proche **3**.



7. Chargeur/concentrateur USB à 16 ports

7.1 Caractéristiques du chargeur USB /concentrateur

- Le chargeur/concentrateur USB de qualité professionnelle charge et synchronise jusqu'à 16 appareils USB, y compris des iPads®, iPods® et iPhones®, et les tablettes et téléphones intelligents Android™.
- Fournit à chaque port USB un niveau de charge optimal pour un appareil particulier (jusqu'à 2,4 ampères).
- Permet que la synchronisation soit effectuée avec tout appareil conçu pour les communications de données USB au moyen d'un logiciel de gestion des fichiers compatible.
- Synchronise les appareils Apple® via le logiciel iTunes® ou Apple Configurator.
- Le port de mise à niveau de micrologiciel mini-USB permet la mise à niveau des logiciels pour soutenir de nouveaux dispositifs.
- Le boîtier de 1U pouvant être monté en bâti peut être configuré pour les installations professionnelles, pédagogiques ou personnelles.
- L'entrée IEC C14 facilite les connexions de l'alimentation, peu importe la région ou les besoins de tensions.

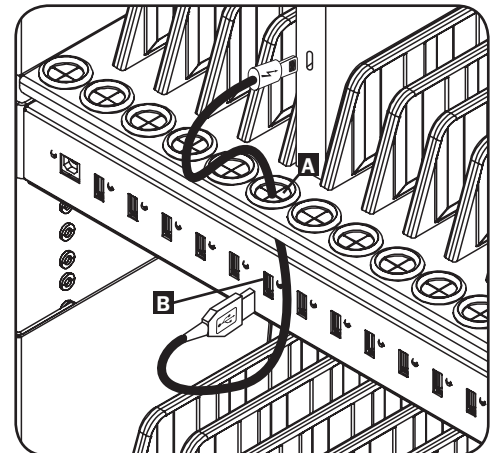


- A** Ports pour appareils USB de 2,4 A avec témoins à DEL (16 au total)
- B** Port de synchronisation pour ordinateur
- C** Port de mise à niveau de micrologiciel
- D** Oreilles de montage (amovibles)

7.2 Connecter les appareils au concentrateur/chargeur USB

Chaque étagère de rangement comporte 16 bagues anti-traction qui empêchent les connecteurs des câbles USB de glisser par les bagues. **A**. En utilisant un câble USB blindé dont vous disposez ou fourni par le fabricant de l'appareil, connectez le câble USB à l'appareil qui doit être chargé. Faites ensuite passer l'extrémité du câble par la bague anti-traction de l'étagère de rangement et connectez le connecteur USB à un port de chargement USB **B**. Faites la même chose pour les autres appareils.

Tripp Lite propose des câbles individuels et des lots de 10 câbles pour les appareils Apple® nécessitant des câbles USB vers 30 broches ou USB vers Lightning™, ainsi que des câbles individuels et des lots de 10 câbles pour les appareils USB 3.0 ou 2.0 nécessitant des câbles USB A (mâle) vers 5 broches Micro B (mâle).



Type de câble	Câble individuel Numéro de modèle	Lot de 10 câbles Numéro de modèle
Connecteur Apple USB vers 30 broches, 25,4 cm (10 po)	M110-10N-BK	M110-10N-BK-10
Connecteur Apple USB vers 8 broches Lightning, 25,4 cm (10 po)	M100-10N-BK	M100-10N-BK-10
USB 3.0 SuperSpeed A (mâle) vers 5 broches Micro-B (mâle), 30,48 cm (12 po)	U326-001-BK	U326-001-BK-10
USB 2.0 réversible A (mâle) vers 5 broches Micro-B (mâle), 30,48 cm (12 po)	UR050-001*	UR050-001-10*

* Dispose d'un connecteur USB A (mâle) réversible pour une installation plus simple.

Visitez www.tripplite.com pour plus d'informations sur notre sélection de câbles USB de haute qualité.

7.3 Connecter un ordinateur au concentrateur/chargeur USB

En plus de charger l'appareil, le U280-016-RM est équipé d'une fonction de concentrateur qui synchronise les appareils et leurs applications logicielles respectives via un ordinateur raccordé. Pour activer la fonction de concentrateur, utiliser le câble USB inclus pour brancher le connecteur B USB au port de synchronisation pour ordinateur du chargeur/concentrateur USB et le connecteur A USB dans le port USB d'un ordinateur.

Remarque : Lorsque la connexion d'un ordinateur est établie et que plusieurs appareils sont branchés au chargeur/concentrateur USB (modèle : U280-016-RM), le taux de charge sera réduit durant la synchronisation et le taux de charge normal reprendra une fois la synchronisation terminée.

Remarque : Le port de mise à niveau de micrologiciel nécessite une connexion mini-USB (câble non inclus).

8. Réglage des diviseurs de l'étagère de rangement

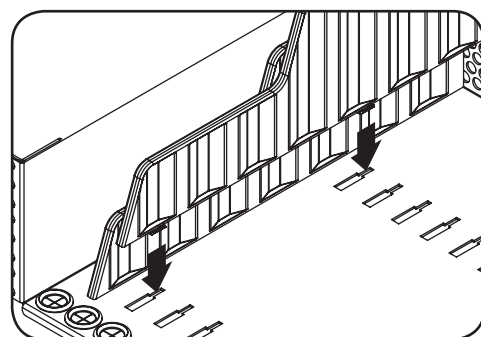
La station de chargement de votre tablette est fournie avec une (CS16USB), deux (CS32USB) ou trois (CS48USB) étagères de rangement avec diviseurs réglables qui peuvent chacune recevoir jusqu'à 16 appareils électroniques personnels par étagère.

8.1 Réglage des diviseurs d'étagère des modèles à 16 ports

Enlever tous les appareils électroniques personnels rangés sur le plateau de l'étagère. Enlever ensuite le plateau de l'étagère de l'armoire en dévissant les quatre pièces de fixations qui retiennent les deux rails de bâti avant. Une fois l'étagère enlevée, les diviseurs peuvent être réarrangés en les tirant ou en les enclenchant dans le plateau de l'étagère.

8.2 Réglage des diviseurs d'étagère des modèles à 32 ports et 48 ports

Enlever tous les appareils électroniques personnels rangés sur le plateau de l'étagère. Ensuite, déverrouiller et ouvrir la porte arrière de l'armoire. À partir de l'avant ou l'arrière de l'armoire, les diviseurs peuvent être réarrangés en les tirant ou en les enclenchant dans le plateau de l'étagère. Répéter au besoin pour tout plateau d'étagère supplémentaire.



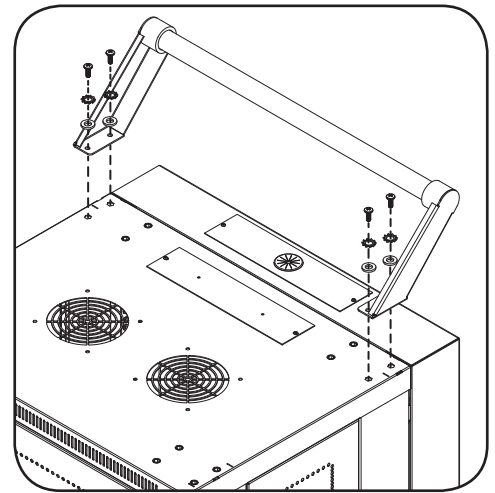
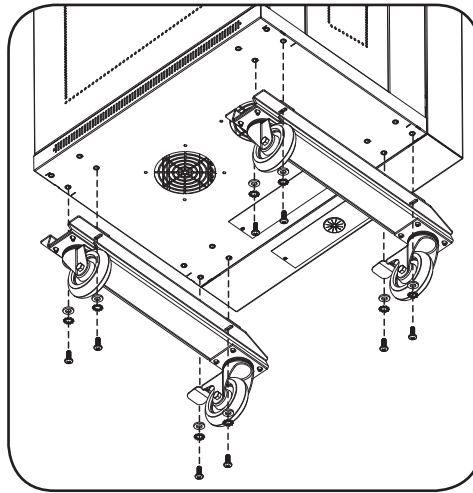
9. Spécifications

Modèle	CS16USB	CS32USB	CS48USB
Dimensions (H x L x P)	368 x 600 x 445 mm (14,5 x 23,63 x 17,5 po.)	549 x 600 x 549 mm (21,6 x 23,63 x 21,6 po.)	905 x 600 x 549 mm (35,6 x 23,6 x 21,6 po.)
Poids unitaire	13 kg (29 livres)	25 kg (55 livres)	43,5 kg (96 livres)
Capacité nominale*	90 kg (200 livres) Immobile ou En mouvement	90 kg (200 livres) Immobile ou En mouvement	113 kg (250 livres) Immobile ou En mouvement
Profondeur de montage du cabinet (réglable)	76 à 419 mm (3 à 16,5 po.)	76 à 521 mm (3 à 20,5 po.)	76 à 521 mm (3 à 20,5 po.)
Ports pour chargeur/mandrin	16 x USB 2.0 A (femelle) 1 x USB 2.0 B (femelle) 1 x USB 2.0 mini (femelle)	32 x USB 2.0 A (femelle) 2 x USB 2.0 B (femelle) 2 x USB 2.0 mini (femelle)	48 x USB 2.0 A (femelle) 3 x USB 2.0 B (femelle) 3 x USB 2.0 mini (femelle)
Vitesse de transmission	Jusqu'à 480 Mbps	Jusqu'à 480 Mbps	Jusqu'à 480 Mbps
Besoins en puissance	Entrée : 110 à 240 V, 2,5 A, 50/60 Hz Sortie : 5,0 V, 2,4 A Max (par port USB)	Entrée : 110 à 240 V, 2,5 A, 50/60 Hz Sortie : 5,0 V, 2,4 A Max (par port USB)	Entrée : 110 à 240 V, 2,5 A, 50/60 Hz Sortie : 5,0 V, 2,4 A Max (par port USB)
Température supportée pour un fonctionnement normal	0° à 40 °C (32° à 104 °F)	0° à 40 °C (32° à 104 °F)	0° à 40 °C (32° à 104 °F)
Humidité supportée pour un fonctionnement normal	5 à 95 % HR, sans condensation	5 à 95 % HR, sans condensation	5 à 95 % HR, sans condensation
Nombre de chargeur/mandrin	1	2	3
Dimensions du chargeur/mandrin par appareil (H x L x P)	45 x 445 x 240 mm (1,75 x 17,5 x 9,5 po.)	45 x 445 x 240 mm (1,75 x 17,5 x 9,5 po.)	45 x 445 x 240 mm (1,75 x 17,5 x 9,5 po.)
Matériau du boîtier	Métal	Métal	Métal
Approbations des autorités réglementaires	UL 60950, VUT (É.-U. et Canada), NOM (Mexique) et RoHS	UL 60950, VUT (É.-U. et Canada), NOM (Mexique) et RoHS	UL 60950, VUT (É.-U. et Canada), NOM (Mexique) et RoHS

* Une installation murale complète nécessite une surface de support capable de soutenir le poids total du dispositif. La trousse accessoire CSHANDLEKIT est disponible en option pour les applications montées sur roues. Les spécifications sont sujettes à changement sans préavis.

10. Roulettes et poignée en option

Pour les applications nécessitant une plus grande mobilité, une trousse d'accessoires pour roulettes et poignée en option (**modèle : CSHANDLEKIT**) contient deux roulettes pivotantes/verrouillables, deux roulettes pivotantes seulement et une poignée qui se fixe sur le dessus d'une station de chargement. Pour des instructions d'installation supplémentaires, se reporter au manuel inclus avec le CSHANDLEKIT.



11. Entreposage et entretien

Entreposage

L'enceinte doit être entreposée dans un environnement contrôlé à l'intérieur, loin de l'humidité extrême, des liquides inflammables et des gaz, des contaminants conducteurs, de la poussière et rayons directs du soleil. Entrez l'enceinte dans son emballage d'origine si possible.

Entretien

L'enceinte est couverte par la garantie limitée décrite dans ce manuel. Pour plus d'informations, visitez www.tripplite.com/support.

12. Garantie

GARANTIE LIMITÉE DE 2 ANS

Le vendeur garantit que ce produit, s'il est utilisé selon toutes les directives applicables, est exempt de défauts d'origine de matériel et de main-d'oeuvre pour une période de 2 ans à partir de la date initiale d'achat. Si le produit s'avère défectueux en matériel ou en main-d'oeuvre durant cette période, le vendeur réparera ou remplacera le produit à sa discrétion. Vous pouvez obtenir un service selon cette garantie seulement en livrant ou en expédiant le produit (avec les frais d'expédition et de livraison prépayés) à : Tripp Lite, 1111 W. 35th Street, Chicago, IL 60609 USA. Le vendeur paiera les frais d'expédition de retour. Visitez www.tripplite.com/support avant de retourner de l'équipement pour réparation.

CETTE GARANTIE NE S'APPLIQUE PAS À L'USURE NORMALE OU AUX DOMMAGES RÉSULTANT D'ACCIDENTS, D'UN MAUVAIS USAGE, D'UN ABUS OU DE NÉGLIGENCE. LE VENDEUR N'OFFRE AUCUNE GARANTIE EXPLICITE AUTRE QUE LA GARANTIE EXPRESSÉMENT SIGNIFIÉE À LA PRÉSENTE. EXCEPTÉ SELON LES LIMITES DE LA LOI APPLICABLE, TOUTES LES GARANTIES IMPLICITES, Y COMPRIS TOUTES LES GARANTIES DE QUALITÉ MARCHANDE OU DE CONFORMITÉ À UN BESOIN PARTICULIER, SONT LIMITÉES EN DURÉE À LA PÉRIODE DE GARANTIE ÉNONCÉE CI DESSUS ET CETTE GARANTIE EXCLUE EXPLICITEMENT TOUS LES DOMMAGES ACCESSOIRES OU CONSÉCUTIFS. Certaines juridictions ne permettent pas la limitation de la durée d'une garantie implicite et certaines juridictions ne permettent pas la limitation ou l'exclusion de dommages accessoires ou consécutifs, en conséquence, les limitations et les exclusions ci dessus pourraient ne pas s'appliquer à vous. Cette garantie vous donne des droits légaux spécifiques et vous pourriez avoir d'autres droits selon les juridictions.

MISE EN GARDE : L'utilisateur devra prendre soin de déterminer avant de l'utiliser si cet appareil convient, est adéquat et sûr pour l'usage prévu. Puisque les applications individuelles sont sujettes à de grandes variations, le fabricant ne fait aucune représentation ni n'offre de garantie quand à l'applicabilité et à la conformité de ces appareils pour une application particulière.

Numéros d'identification de conformité aux règlements

À des fins de certification et d'identification de conformité aux règlements, votre produit Tripp Lite a reçu un numéro de série unique. Ce numéro se retrouve sur la plaque signalétique du produit, avec les inscriptions et informations d'approbation requises. Lors d'une demande d'information de conformité pour ce produit, utilisez toujours le numéro de série. Il ne doit pas être confondu avec le nom de la marque ou le numéro de modèle du produit.

L'information de conformité WEEE pour les clients de Tripp Lite et recycleurs (Union européenne)



Sous les directives et règlements de déchet d'équipements électrique et électronique (Waste Electrical and Electronic Equipment, WEEE), lorsque les clients achètent le matériel électrique et électronique neuf de Tripp Lite ils sont autorisés à :

- Envoyer le vieux matériel pour le recyclage sur une base de un-contre-un et en nature (ceci varie selon le pays)
- Renvoyer le matériel neuf pour recyclage quand ceci devient éventuellement un rebut

La politique de Tripp Lite est celle d'une amélioration continue. Les spécifications peuvent être modifiées sans préavis.



1111 W. 35th Street, Chicago, IL 60609 USA • www.tripplite.com/support