

peerless-AV[®]

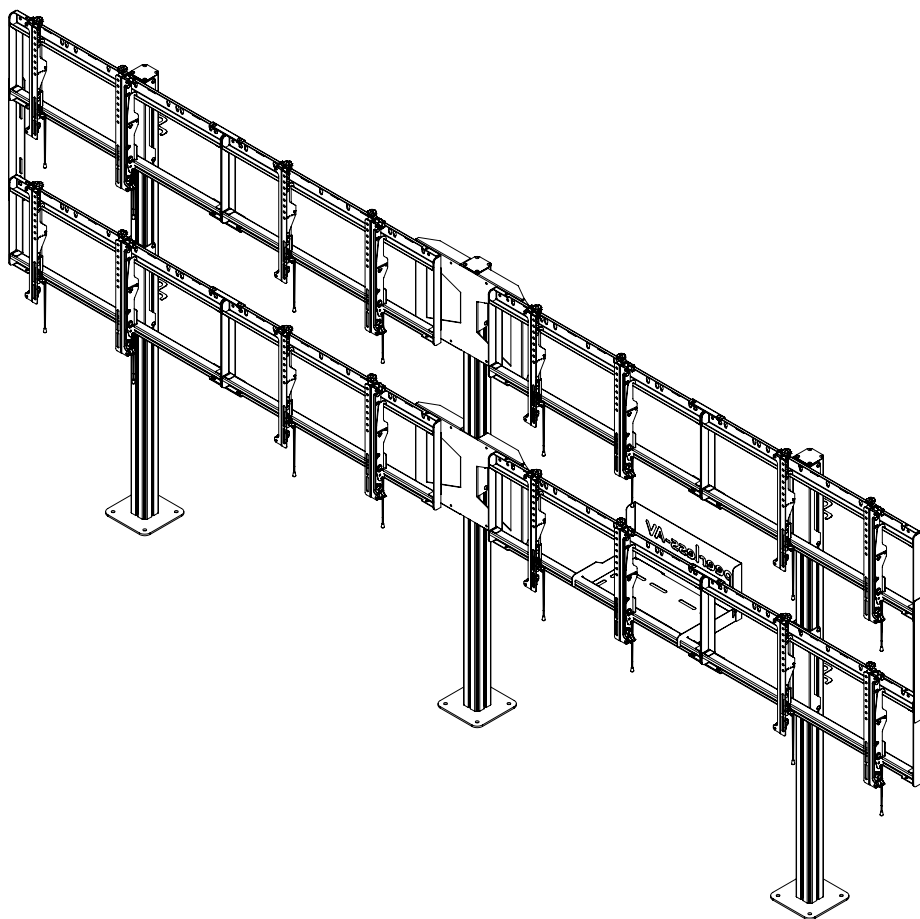
DS-S555-4X2



46" - 55"
(117 - 140 cm)



800 lb
(363 kg)



⚠ WARNING

ENG - This product is designed to be installed on solid concrete. Hardware is included for solid concrete installation. Before installing make sure the supporting surface will support the combined load of the equipment and hardware. Screws must be tightly secured. Do not overtighten screws or damage can occur and product may fail. Never exceed the Maximum Load Capacity. Always use an assistant or mechanical lifting equipment to safely lift and position equipment. This product is intended for indoor use only. Use of this product outdoors could lead to product failure or personal injury. Be careful not to pinch fingers when operating the mount. For support please call customer care at 1-800-865-2112.

ENG Symbols



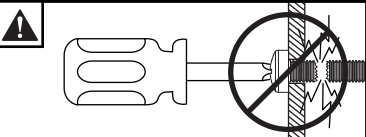
ENG WARNING



ENG Display center.



ENG Screws must get at least three full turns and fit snug.

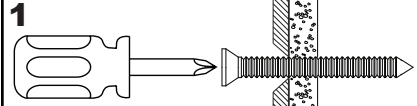


ENG Do not overtighten screws.

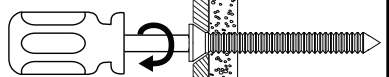


ENG To properly tighten screws: Tighten until screw head makes contact, then tighten another 1/2 turn. Do not overtighten.

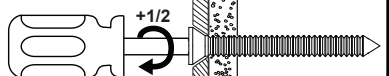
1



2



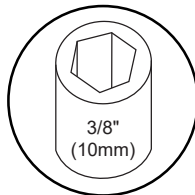
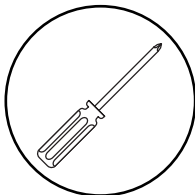
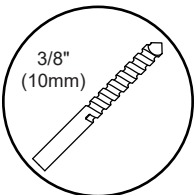
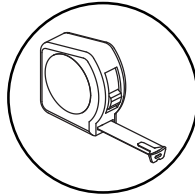
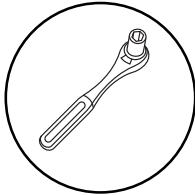
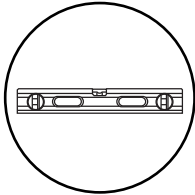
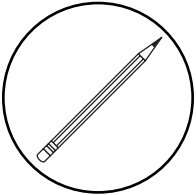
3



4

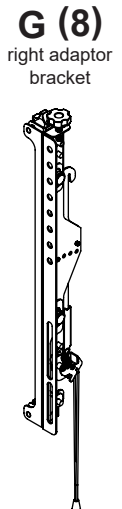
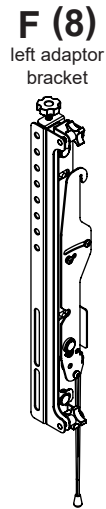
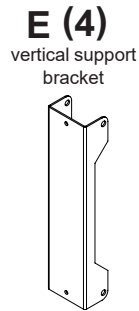
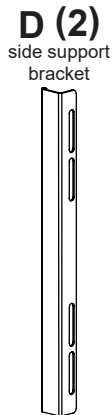
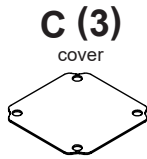
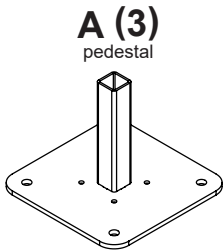


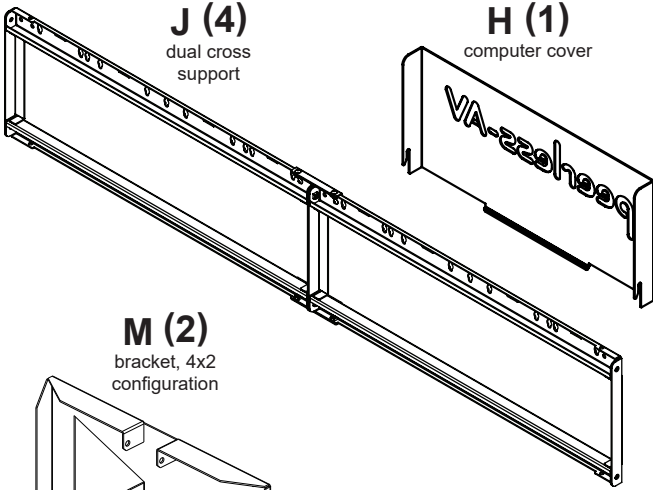
ENG Tools Needed for Assembly.



Parts List

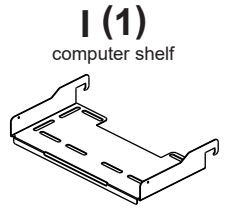
	Description	Qty	Part #
A	pedestal	3	147-T1426
B	column	3	146-T1131
C	cover	3	145-T1809
D	side support bracket	2	145-T1807
E	vertical support bracket	4	145-T1806
F	left adaptor bracket	8	146-1609
G	right adaptor bracket	8	146-1608
H	computer cover	1	145-T1930
I	computer shelf	1	145-T1931
J	dual cross support	4	146-T1905
K	cord bracket	6	146-T1321
L	knob	6	560-1160
M	bracket, 4x2 configuration	2	145-T1858
N	M8 x 16mm socket button screw	84	520-9527
O	M8 square nut	36	530-1066
P	cover clip	12	590-0317
Q	M5 x 10mm type-f, socket pin screw	18	520-1164
R	1/4" power bit	1	560-0263
S	5mm allen wrench	1	560-9640
T	nylon shoulder washer	32	590-2233
U	M6 x 12mm socket pin screw	32	520-1050
V	4mm allen wrench	1	560-9646
W	M6 x 35mm screw	12	520-0717
X	rawl bolt #6913	12	5M9-381-H03



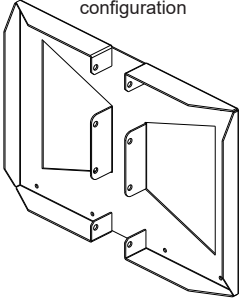


J (4)
dual cross
support

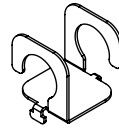
H (1)
computer cover



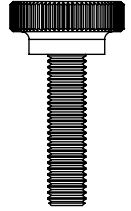
I (1)
computer shelf



M (2)
bracket, 4x2
configuration



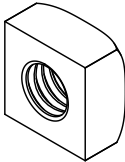
K (6)
cord
bracket



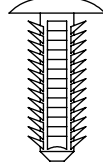
L (6)
knob



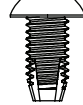
N (84)
M8 x 16mm



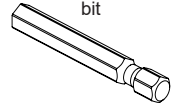
O (36)
M8 square nut



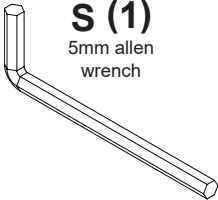
P (12)
cover clip



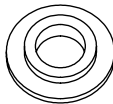
Q (18)
M5 x 10mm



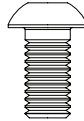
R (1)
1/4" power
bit



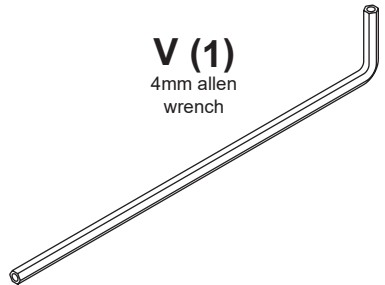
S (1)
5mm allen
wrench



T (32)
nylon shoulder
washer



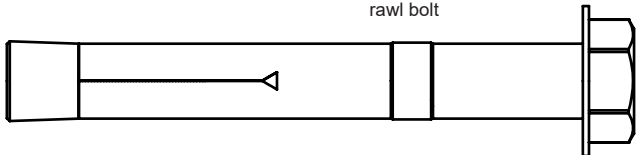
U (32)
M6 x 12mm



V (1)
4mm allen
wrench



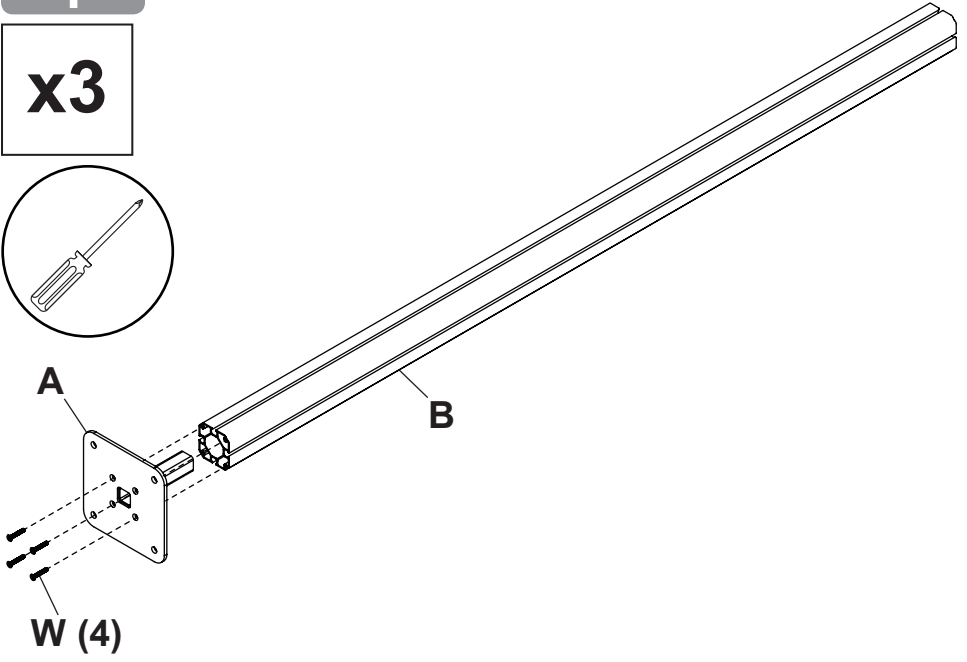
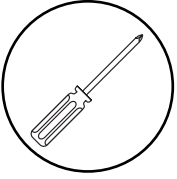
W (12)
M6 x 35mm



X (12)
rawl bolt

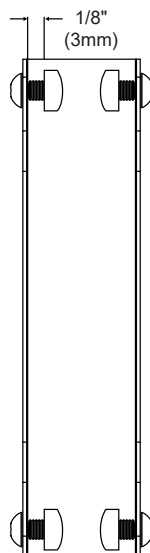
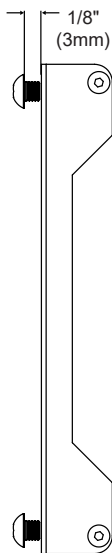
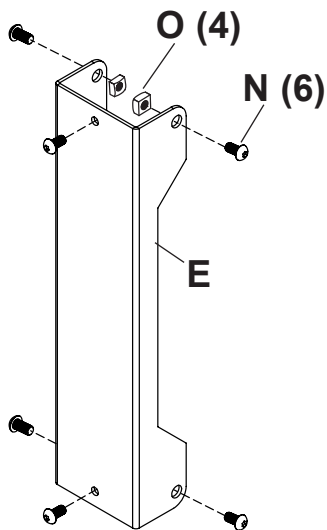
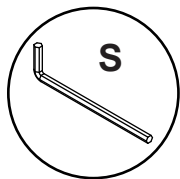
1

x3



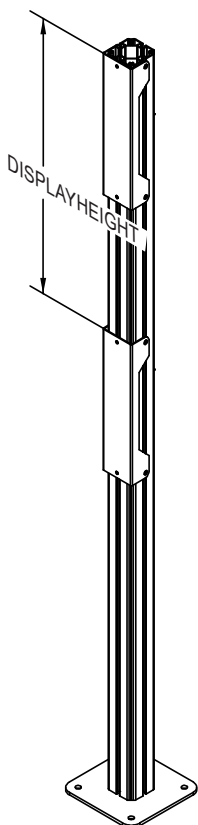
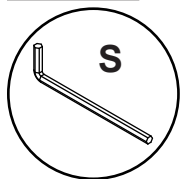
2-1

x4

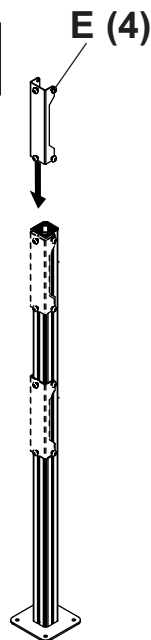


2-2

x2

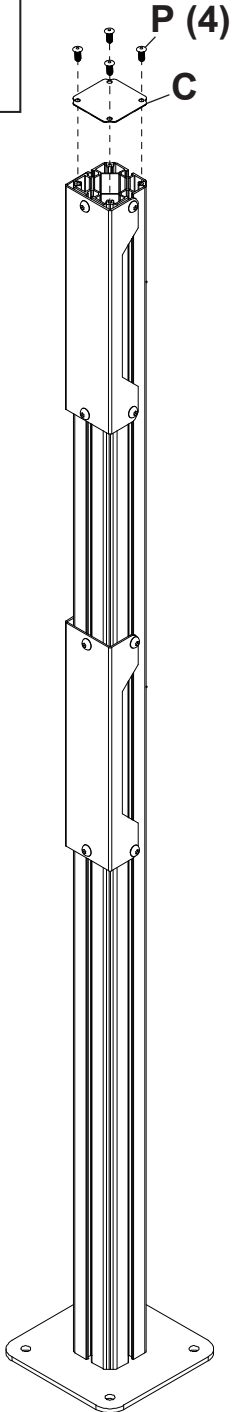


 TIGHTEN
CONNECTING
HARDWARE



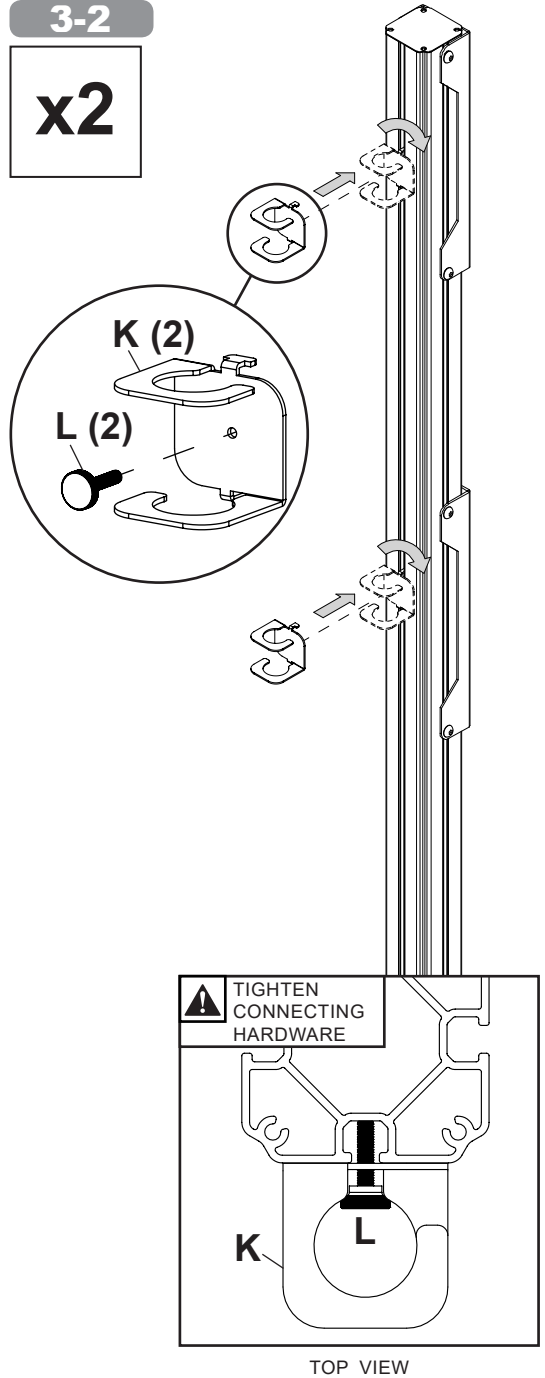
3-1

x2



3-2

x2

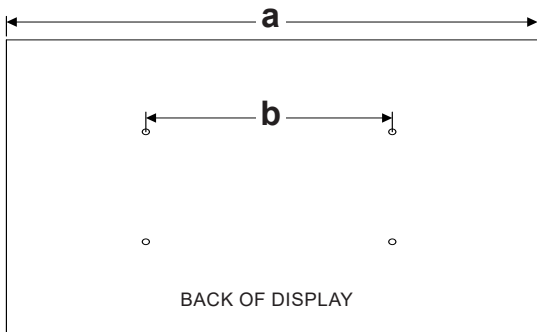
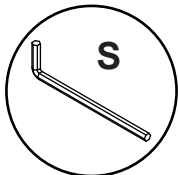


4

ENG Use metric formula below and diagram to right to determine hole pattern required for center vertical support bracket. Repeat (x2).

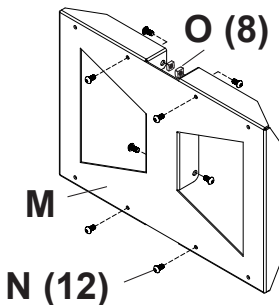
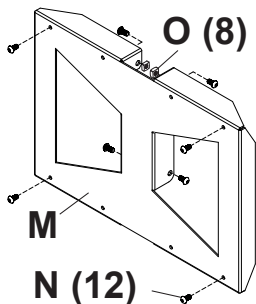
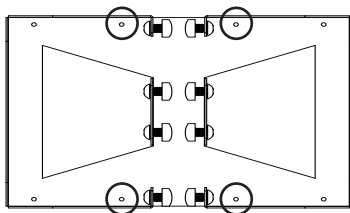
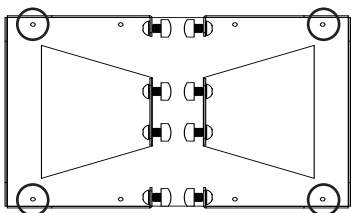
All dimensions are metric.

x2

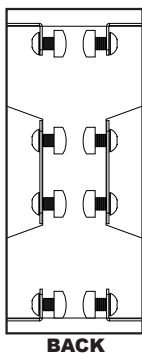
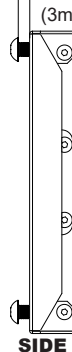


ENG Use the outside mounting holes when...
 $a \times 4 > 4368\text{mm}$ and $a \times 3 + b < 4318\text{mm}$

ENG Use the inside mounting holes when...
 $a \times 4 > 4098\text{mm}$ and $a \times 3 + b < 4064\text{mm}$



1/8"
(3mm)



SIDE

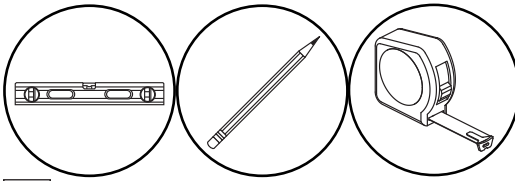
BACK



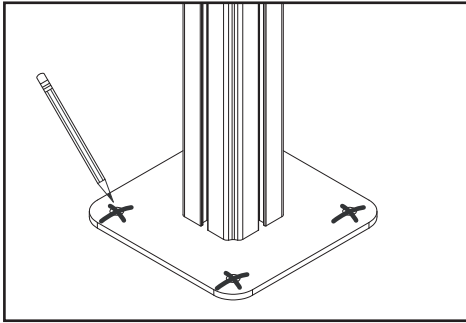
▲ WARNING

ENG - When installing Peerless mounts on a concrete floor, the floor must be at least 8" thick with a minimum compressive strength of 2000 psi. Never attach concrete expansion anchors to concrete covered with plaster, drywall, or other finishing material.

5-1

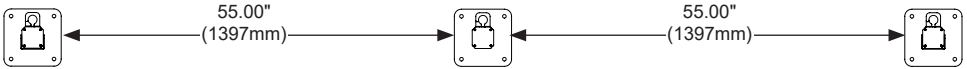
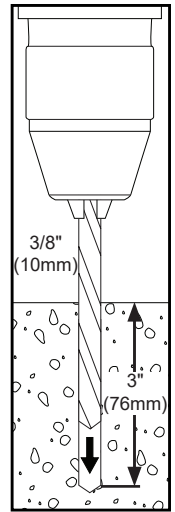
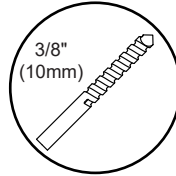


ENG Align base. Mark mounting holes.

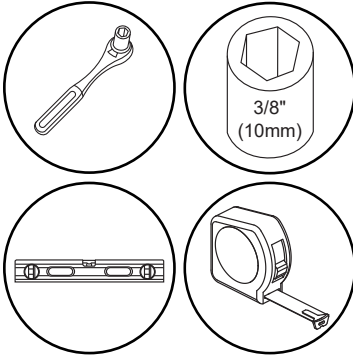


5-2

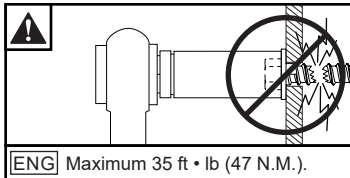
ENG Drill mounting holes into supporting surface (3" (76mm) minimum depth required).



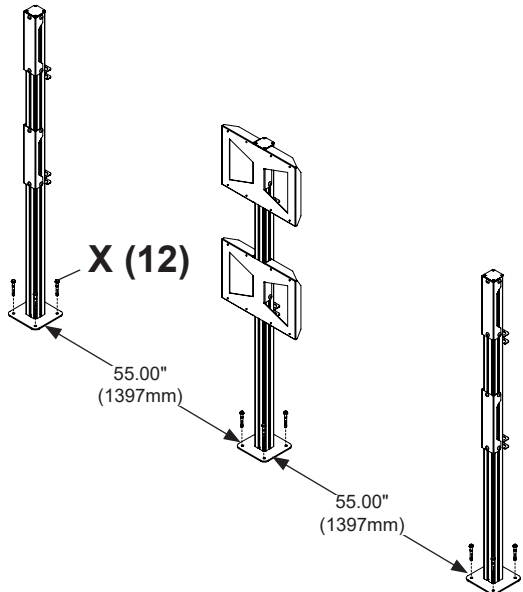
5-3



ENG Align base. Install using concrete anchors provided.

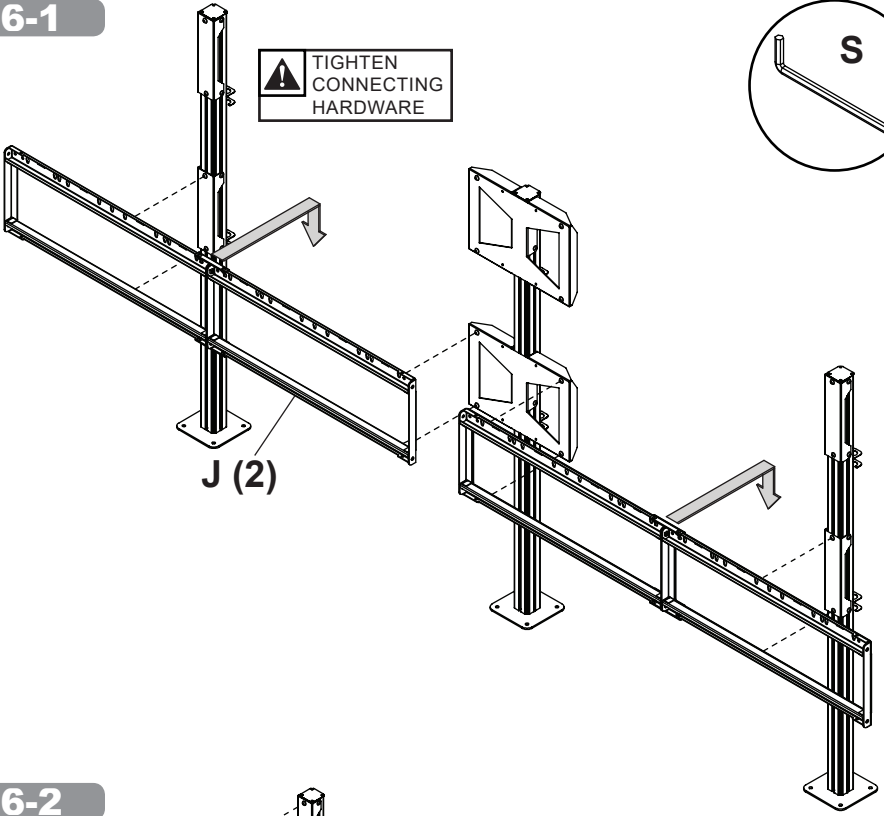
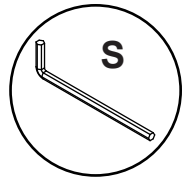


ENG Maximum 35 ft • lb (47 N.M.).



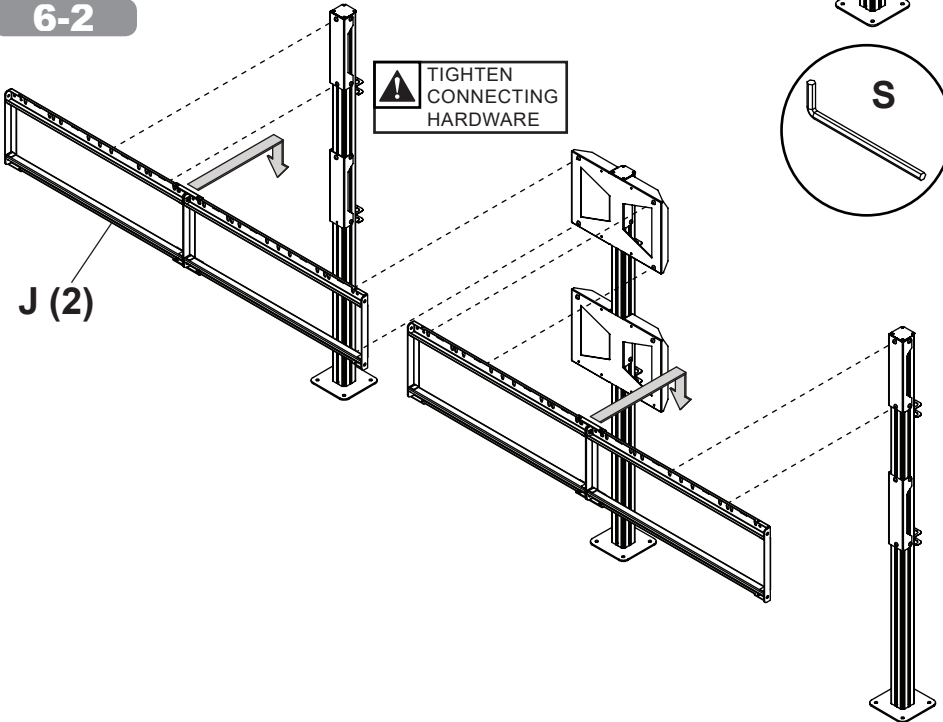
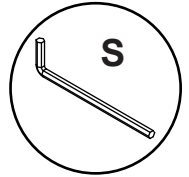
6-1

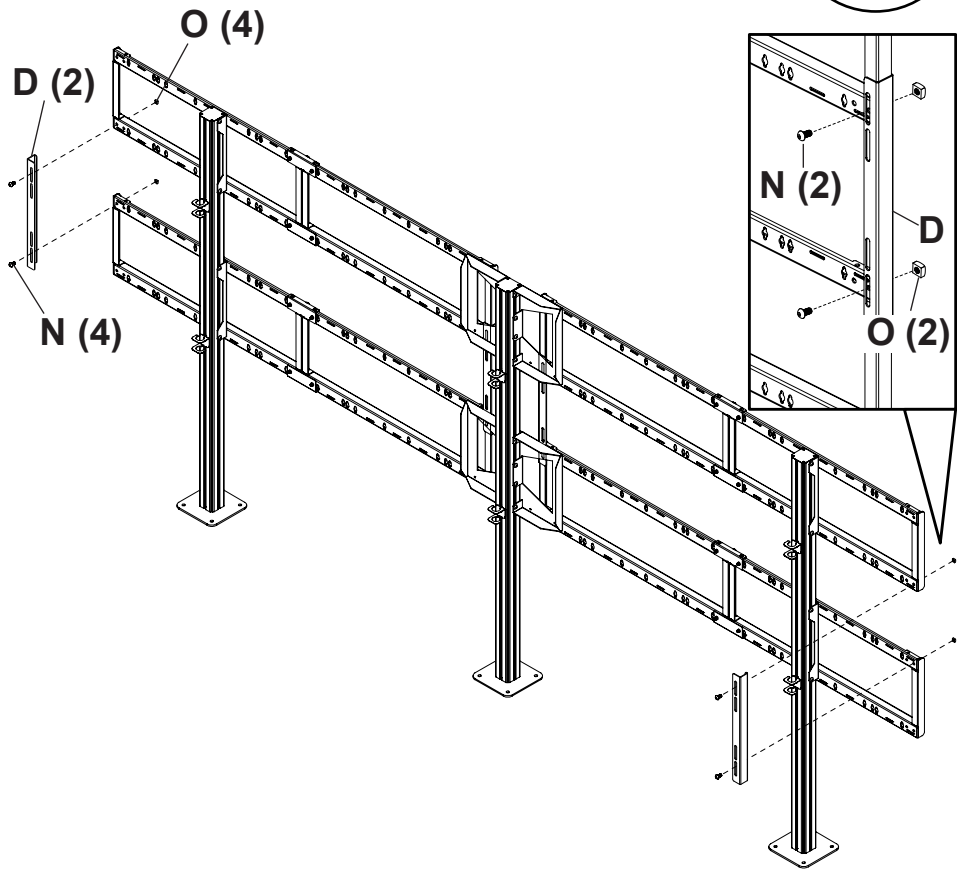
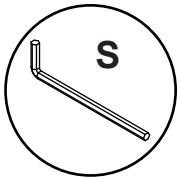
 TIGHTEN
CONNECTING
HARDWARE



6-2

 TIGHTEN
CONNECTING
HARDWARE

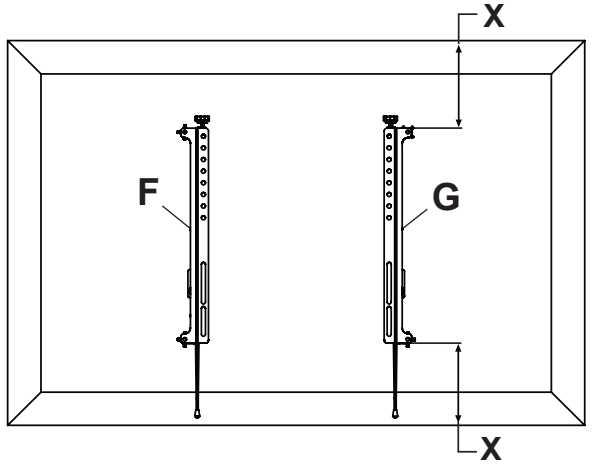




8-1

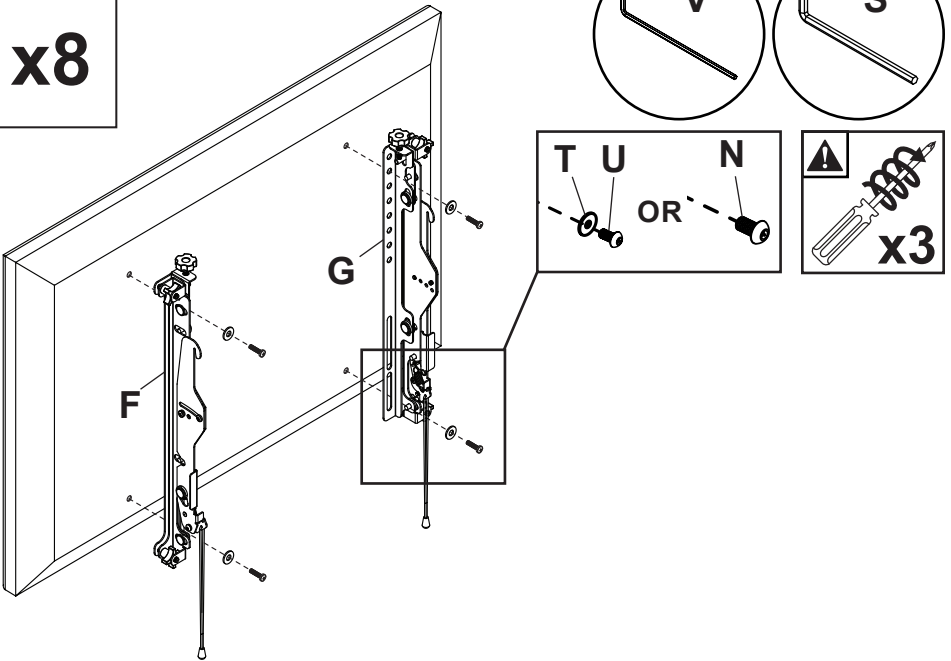
x8

ENG Center adaptor brackets vertically on back of screen.



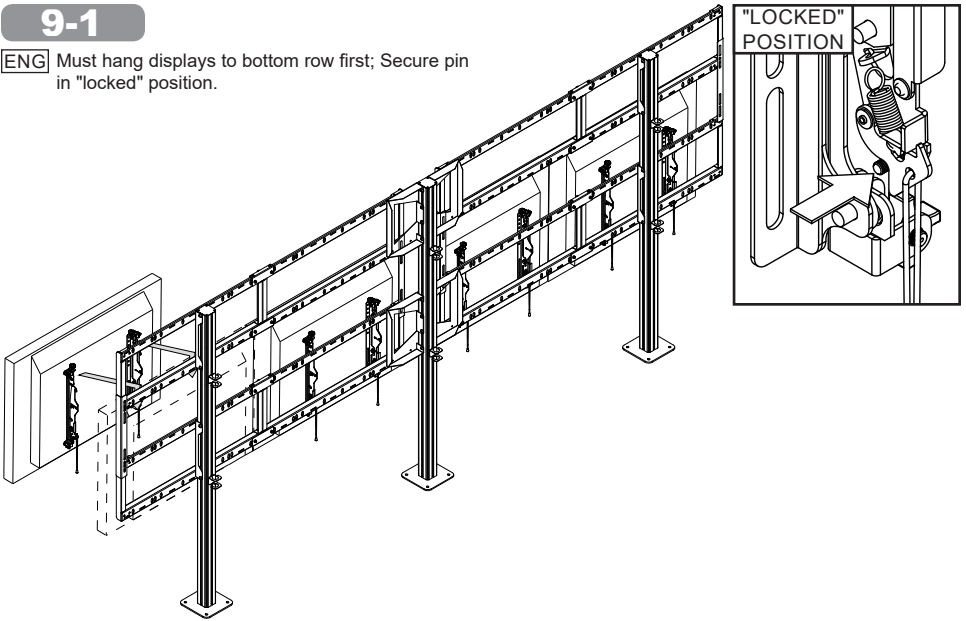
8-2

x8



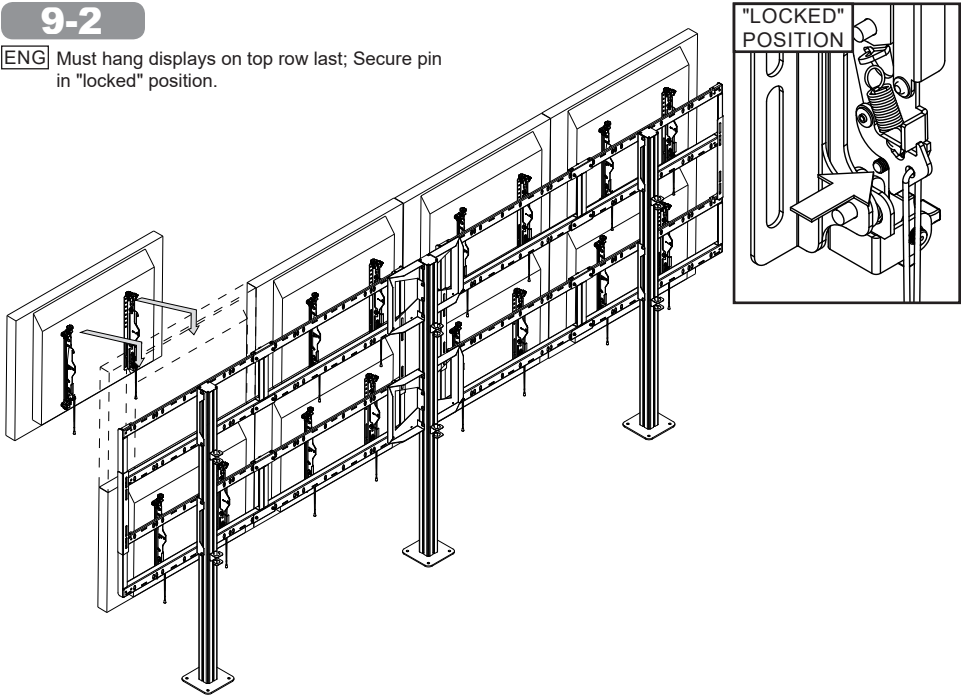
9-1

ENG Must hang displays to bottom row first; Secure pin in "locked" position.



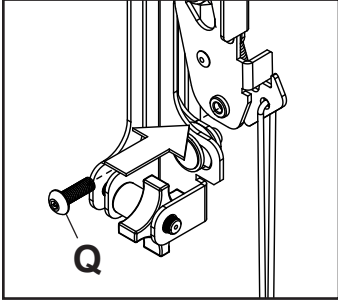
9-2

ENG Must hang displays on top row last; Secure pin in "locked" position.

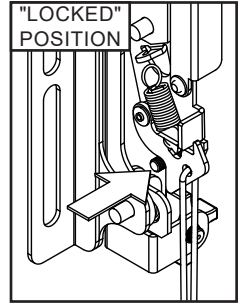
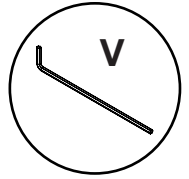


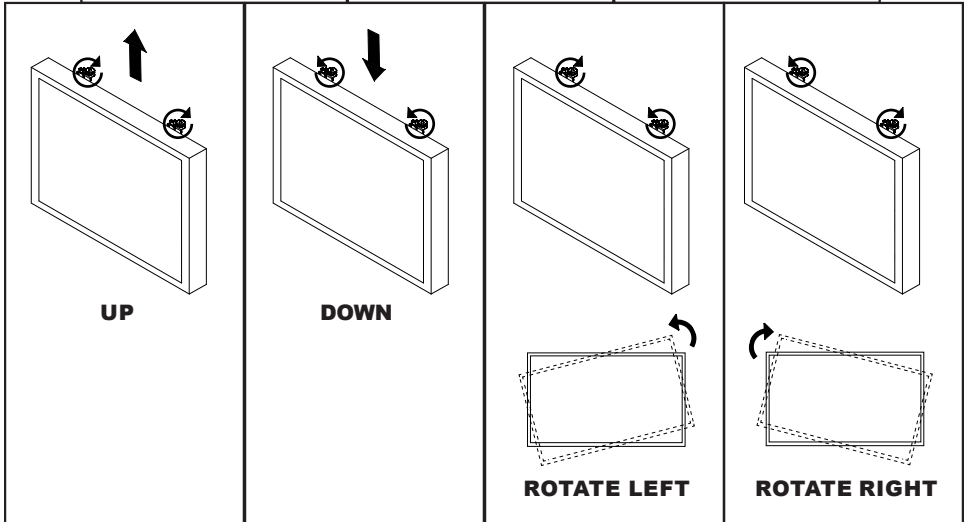
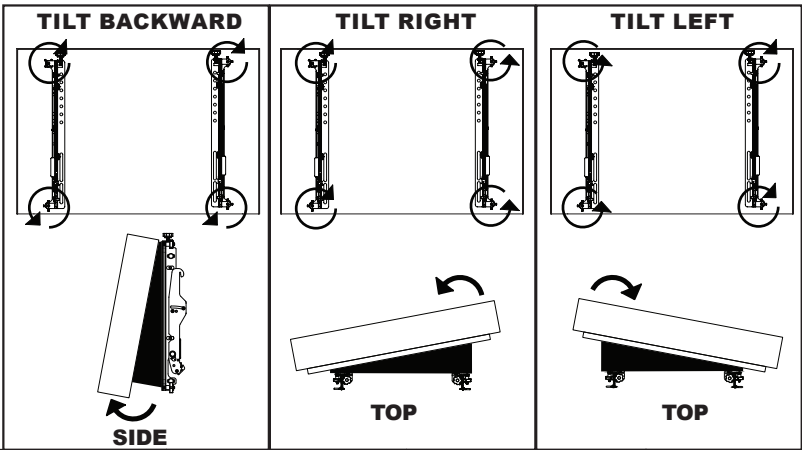
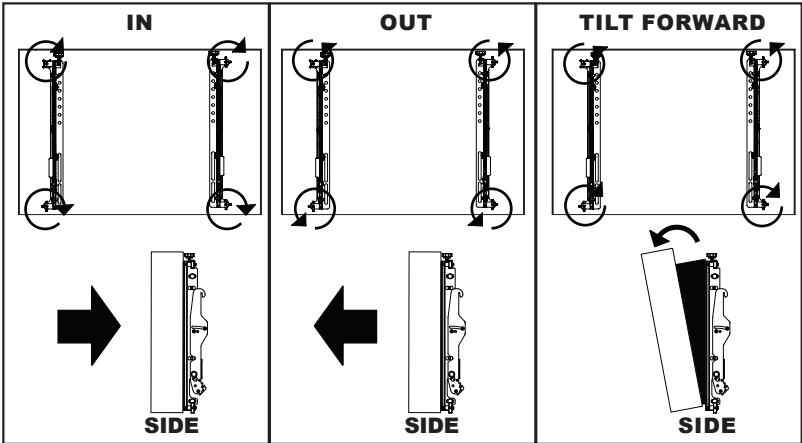
9-3

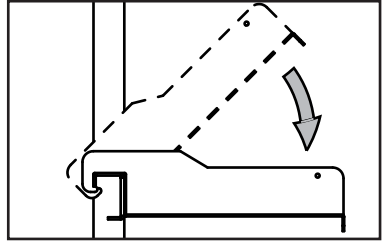
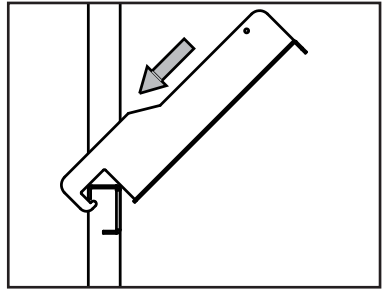
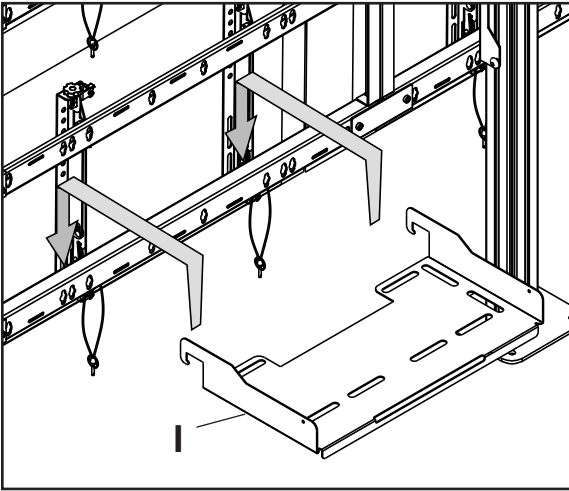
ENG Optional: Insert M5 x 10mm type-F socket pin screws (Q) to lock latches.



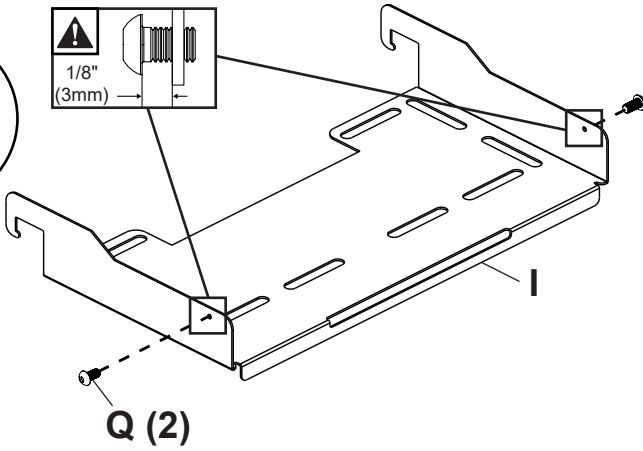
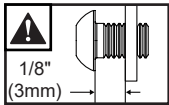
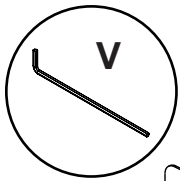
x16



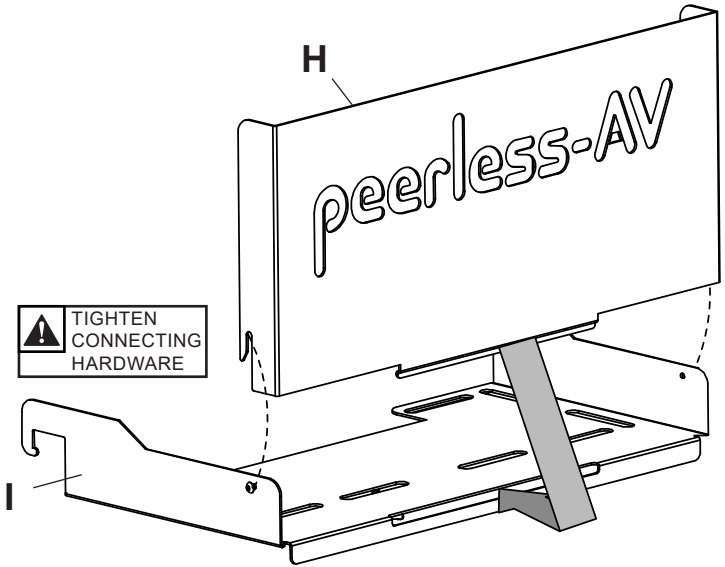
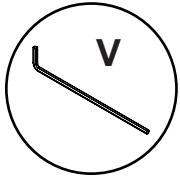




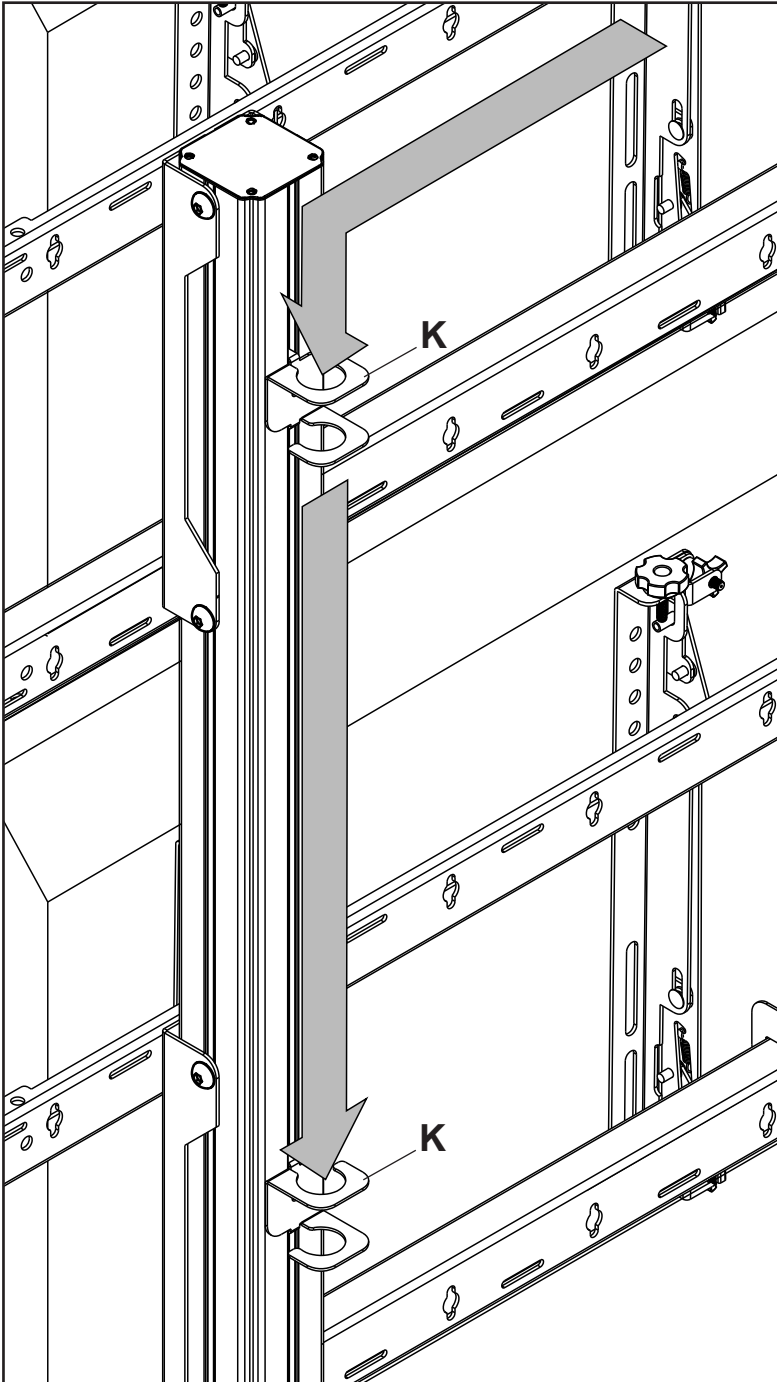
12-1



12-2



ENG Route cables through cord brackets.



LIMITED FIVE-YEAR WARRANTY

Peerless Industries, Inc. ("Peerless-AV") warrants to original end-users that each Peerless-AV® mounting product will be free from defects in material and workmanship, under normal use, for the applicable warranty period (from date of the original installation of the product). At its option, Peerless-AV will repair or replace, or refund the purchase price of, any product which fails to conform with this warranty.

Any implied warranty of merchantability or fitness for a particular purpose shall be limited to the period of the express warranty set forth below.

In no event shall Peerless-AV be liable for incidental or consequential damages, whether or not secured by a security device which may be included with the product.

Some states do not allow limitations on how long an implied warranty lasts, or the exclusion of incidental or consequential damages, so the above limitation and/or the above exclusion may not apply to you.

This warranty does not cover damage caused by incorrect selection, installation or the failure to follow Peerless-AV instructions or warnings when installing, using or storing the product.

This warranty gives specific legal rights, and you may also have other rights which vary from state to state. To make a warranty claim in North America, contact Peerless-AV customer care at 1-800-865-2112. See complete global warranty information for regions outside North America at www.peerless-av.com/en-uk/customer-care/warranties-returns.

The logo for Peerless-AV features the word "peerless" in a bold, lowercase, red sans-serif font. To its right, the letters "AV" are rendered in a white, outlined, sans-serif font. A registered trademark symbol (®) is positioned to the upper right of the "V".

Peerless-AV

2300 White Oak Circle
Aurora, IL 60502
Email: tech@peerlessmounts.com
Ph: (800) 865-2112
Fax: (800) 359-6500
www.peerless-av.com

© 2020, Peerless Industries, Inc.

Peerless-AV Europe

Unit 3 Watford Interchange,
Colonial Way, Watford, Herts,
WD24 4WP, United Kingdom
Customer Care
44 (0) 1923 200 100
www.peerless-av.com

© 2020, Peerless Industries, Inc.

Peerless-AV América Latina

Av. de las Industrias 413
Parque Industrial Escobedo
General Escobedo N.L., México 66062
Servicio al Cliente
01-800-849-65-77
www.peerless-av.com

© 2020, Peerless Industries, Inc.