



INSTRUCTION BOOK FOR
Da-Snap Screen



Included Hardware



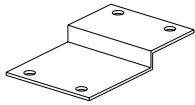
Large Wall Bracket (47" Long)
Installation screws not included

Quantities vary by screen size:
 Screens 80" and smaller viewing width = 1
 Screens over 80" to 96" viewing width = 2
 Screens over 96" viewing width = 3

Quantity Included _____



Snap Stud
Quantity Included _____



High Power® Frame Bracket

Screens with High Power® quantity = 2
 Screens with 2-piece side frame rails quantity = 2

Quantity Included _____



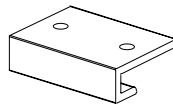
Small Wall Bracket (8" Long)
Installation screws not included

Quantity = 1. Only for screens 80" and smaller viewing width.

Quantity Included _____



#10 Screw
Quantity Included _____



Frame Bracket

Quantities vary by screen size
 Screens 80" and smaller viewing width = 3
 Screens over 80" to 96" viewing width = 4
 Screens over 96" viewing width = 6

Quantity Included _____

Use Installation Method Number _____

Frame Assembly

1. Unpack the frame parts from the carton. DO NOT unroll the screen surface at this time.
2. Slide the frame pieces together at corners. (**NOTE:** Frame assembly holes may not appear to fit properly at the corners until all fasteners have been attached. Once fasteners are attached, the frame corners will be drawn in for a proper fit.) Secure frame pieces with #10 screws provided. Do not tighten screws until all are started, then tighten. See Figure 1.

NOTE: The frame pieces are labeled "top" and "bottom". Be sure the frame pieces are assembled according to the labels. This will ensure the snap pattern on the frame and screen surface will match.

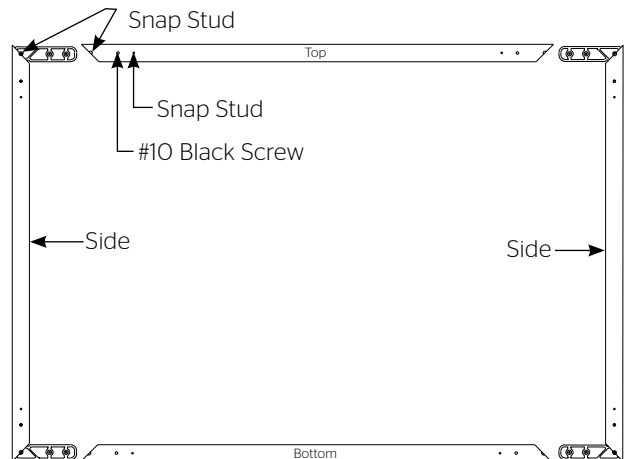


Figure 1. Rear View

Installation

There are four methods of installation based on the size of the screen and type of viewing surface. Measure the width of the viewing area of your screen and refer to the appropriate method of installation below. The wall bracket diagram shows the type and quantity of bracket that is supplied based on the size of the screen.

Method 1: Screens 80" and smaller in viewing width.

Method 2: Screens over 80" up to 96" in viewing width.

Method 3: Screens over 96" in viewing width.

Method 4: Any size screen with High Power® viewing surface.

Method 1 (Screens 80" And Smaller In Viewing Width)

1. Use the supplied #10 screws to attach three frame brackets to the back of the frame as shown in Figure 2.

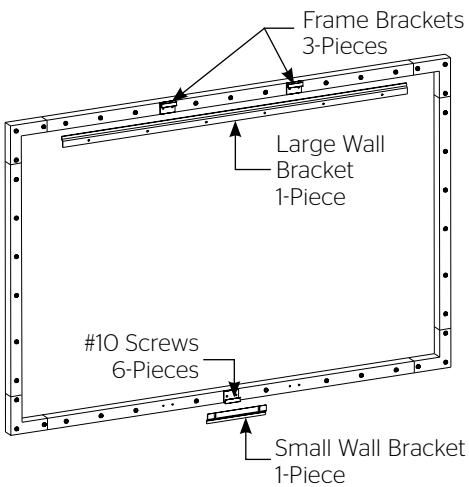


Figure 2

2. Secure the large wall bracket to wall studs at the desired height. Make sure the bracket is level. The top of the frame will be $\frac{1}{8}$ " above the top of the wall bracket when mounted. You will need at least $\frac{5}{8}$ " clearance above the bracket to hang the screen.
3. To install the small wall bracket, you must measure the overall height of the screen frame and subtract $1\frac{3}{8}$ ". Using that dimension, measure down from the top edge of the large wall bracket and mark the wall for two screw holes. The holes should be centered within the frame and 6" apart. Refer to Figure 3.

Method 1 (Screens 80" And Smaller In Viewing Width)

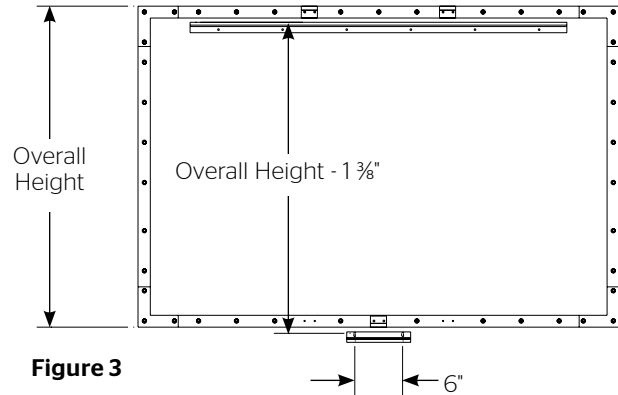


Figure 3

4. Attach the small wall bracket to the wall. Refer to Figure 4 for proper orientation. Do not tighten the screws completely. The bracket should slide up and down easily.

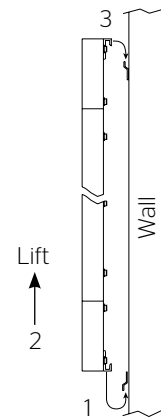


Figure 4

5. Unroll the screen on a clean surface. Do not use newspaper. The viewing side is rolled to the inside of the roll. Place the frame over the screen surface, and while lifting the frame with one hand, snap the screen surface onto the frame with the other hand while maintaining a steady pull on the surface.
6. Hang the screen on the brackets by hooking the bottom of the frame onto the small wall bracket and lift up until you can hook the top of the frame on the top bracket. Push down on the frame to seat it on the brackets. Refer to Figure 4.

Method 2 (Screens Over 80" Up To 96" In Viewing Width)

1. Use the supplied #10 screws to attach four frame brackets to the back of the frame as shown in Figure 5.

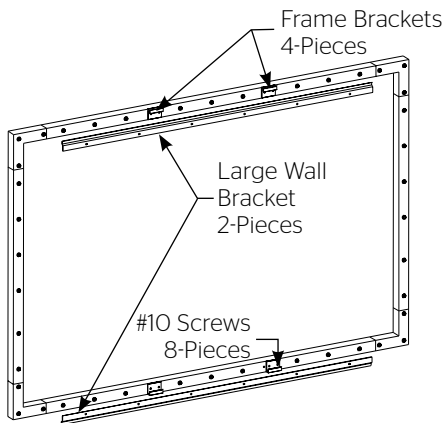


Figure 5

2. Secure the wall bracket to wall studs at the desired height. Make sure the bracket is level. The top of the frame will be $1/8$ " above the top of the wall bracket when mounted. You will need at least $5/8$ " clearance above the bracket to hang the screen.
3. To install the lower wall bracket, you must measure the overall height of the screen frame and subtract $1/4$ ". This is the dimension from the top of the upper wall bracket to the bottom of the lower wall bracket. See Figure 6.

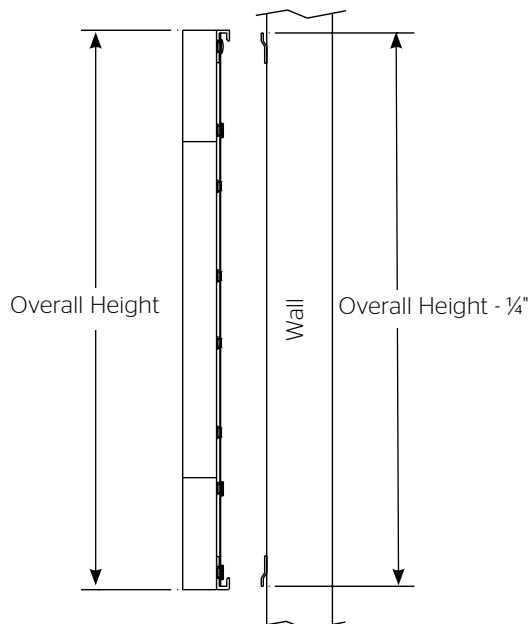


Figure 6

4. Unroll the screen on a clean surface. Do not use newspaper. The viewing side is rolled to the inside of the roll. Place the frame over the screen surface, and while lifting the frame with one hand, snap the screen surface onto the frame with the other hand while maintaining a steady pull on the surface.
5. Position the screen with the attached surface onto the top wall bracket as shown in Figure 7. Push down at the center of the bottom frame rail to hook onto the lower wall bracket.

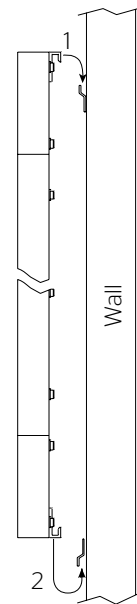


Figure 7

Method 3 (Screens Over 96" In Viewing Width)

1. Use the supplied #10 screws to attach six frame brackets to the back of the frame as shown in Figure 8.
2. Secure the wall brackets to wall studs at the desired height. Make sure the brackets are level. The top of the frame will be 1/8" above the top of the wall bracket when mounted. You will need at least 5/8" clearance above the bracket to hang the screen.
3. To install the lower wall bracket, you must measure the overall height of the screen frame and subtract 1/4". This is the dimension from the top of the upper wall bracket to the bottom of the lower wall bracket. See Figure 6.
4. For 150", 180", 200", 220" and larger screens with 2-piece side frame rails you will need to attach one High Power® bracket to each side frame rail. Use the black #10 screws supplied. See Figure 8.

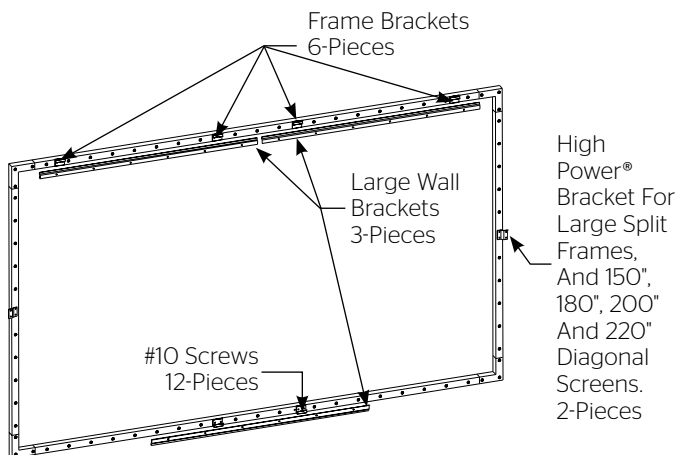


Figure 8

5. Unroll the screen on a clean surface. Do not use newspaper. The viewing side is rolled to the inside of the roll. Place the frame over the screen surface, and while lifting the frame with one hand, snap the screen surface onto the frame with the other hand while maintaining a steady pull on the surface.
6. Position the screen with the attached surface onto the top wall bracket as shown in Figure 7. Push down at the center of the bottom frame rail to hook onto the lower wall bracket.
7. If you attached brackets to the side frame rails in step 4, anchor these to the wall with an appropriate fastener for your type of wall.

Method 4 (High Power® Fabric)

1. Use the supplied #10 screws to attach two frame brackets and two High Power® brackets to the back of the frame as shown in Figure 9.

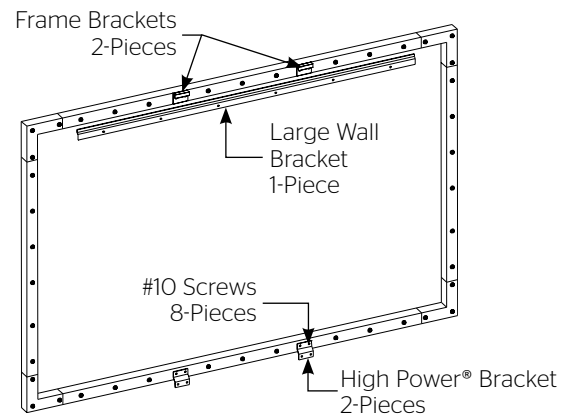


Figure 9

2. Secure the large wall bracket to wall studs at the desired height. Make sure the bracket is level. The top of the frame will be 1/8" above the top of the wall bracket when mounted. You will need at least 5/8" clearance above the bracket to hang the screen.
3. Unroll the screen on a clean surface. Do not use newspaper. The viewing side is rolled to the inside of the roll. Place the frame over the screen surface, and while lifting the frame with one hand, snap the screen surface onto the frame with the other hand while maintaining a steady pull on the surface.
4. Position the screen with the attached surface onto the top wall bracket as shown in Figure 7. Push down at the center of the bottom frame rail to tension the fabric. Mark the screw holes for the bottom brackets. Drill holes in wall and attach the brackets to the wall with screws.

Cleaning

Da-TeX®, Dual Vision, Pearlescent, Cinema Vision, High Power®, Da-Mat®, High Contrast Da-Mat®, Audio Vision, High Contrast Audio Vision, High Contrast Cinema Vision and High Contrast Cinema Perf surfaces can be cleaned as follows:

Using a white clean cloth (100% cotton preferred) that is dampened with clear water, gently wipe the area in one direction. Do not use a circular motion. Using a dry 100% cotton cloth, wipe dry after each cleaning session. To clean a stubborn stain or a sticky surface, use denatured alcohol (methanol or methyl alcohol) following the same procedure as for water.

LIMITED ONE YEAR WARRANTY ON DA-LITE PRESENTATION PRODUCTS

Milestone AV Technologies LLC warrants certain Da-Lite branded products to the original purchaser only, to be free from defects in materials and workmanship for a period of one (1) year from the date of purchase by the original purchaser; provided they are properly operated according to Da-Lite's instructions and are not damaged due to improper handling or treatment after shipment from the factory.

This warranty does not apply to equipment showing evidence of misuse, abuse or accidental damage, or which has been tampered with or repaired by a person other than authorized Da-Lite personnel.

Da-Lite's sole obligation under this warranty shall be to repair or to replace (at Da-Lite's option) the defective part of the merchandise. Returns for service should be made to your Da-Lite dealer. If it is necessary for the dealer to return the screen or part to Da-Lite, transportation expenses to and from Da-Lite are payable by the purchaser and Da-Lite is not responsible for damage in shipment. To protect yourself against damage or loss in transit, insure the product and prepay all transportation expenses.

TO THE MAXIMUM EXTENT PERMITTED BY APPLICABLE LAW, THIS WARRANTY IS IN LIEU OF ALL OTHER WARRANTIES, EXPRESS OR IMPLIED, INCLUDING WARRANTIES AS TO FITNESS FOR USE AND MERCHANTABILITY. Any implied warranties of fitness for use, or merchantability, that may be mandated by statute or rule of law are limited to the one (1) year warranty period. This warranty gives you specific legal rights, and you may also have other rights, which vary from state-to-state. **TO THE MAXIMUM EXTENT PERMITTED BY APPLICABLE LAW, NO LIABILITY IS ASSUMED FOR EXPENSES OR DAMAGES RESULTING FROM INTERRUPTION IN OPERATION OF EQUIPMENT, OR FOR INCIDENTAL, DIRECT, OR CONSEQUENTIAL DAMAGES OF ANY NATURE.**

In the event that there is a defect in materials or workmanship of a Da-Lite product, you may contact our Sales Partners at PO Box 137, Warsaw, IN 46581-0137, (574) 267-8101, (800) 622-3737.

IMPORTANT: THIS WARRANTY SHALL NOT BE VALID AND DA-LITE BRANDED PRODUCTS SHALL NOT BE BOUND BY THIS WARRANTY IF THE PRODUCT IS NOT OPERATED IN ACCORDANCE WITH THE DA-LITE WRITTEN INSTRUCTIONS.

Keep your sales receipt to prove the date of purchase and your original ownership.



A Milestone AV Technologies Brand

3100 North Detroit Street
Warsaw, Indiana 46582
P: 574.267.8101 or 800.622.3737
F: 574.267.7804 or 877.325.4832
E: info@da-lite.com
www.da-lite.com

DL-0262 01.14

© 2013 Milestone AV Technologies LLC. Printed in U.S.A.

75135