

**TLI (NO HOUSING)**



**TLI-VR-SQ**



**TLI-CS**



**TLI-CF/TLI-VR-F**



## DESCRIPTION

The Model TLI Series of speaker/microphones are two-way talk/listen remote stations consisting of an electret condenser microphone with pre-amp for line level output and 8" speaker. As a system, the TLI Series provide both listen and talkback capabilities between the remote zone and the Louroe base station. There are five configurations in which Model TLI can be installed:

Using VRSC Housing for surface mounting to a wall or ceiling (industrial application)  
Model TLI-VR-SQ Surface mount vandal resistant

Using ERD-8 Backbox and BR-8WS/BR-8VP Grill Model TLI-CF (BR-8WS) and TLI-VR-F (BR-8VP Vandal Resistant Grill)

Using MR-8 Mounting Ring and BR-8WS Grill for surface mounting on a ceiling  
Model TLI-CS.

No housing Model TLI (Speaker and Microphone only)

# INSTALLATION AND OPERATING INSTRUCTIONS

---

If Model TLI requires no housing for custom installation, refer to page 4 for connection diagram



**TLI (NO HOUSING)**

If Model TLI is to be installed with Model VRSC Housing for mounting to ceiling or wall, refer to mechanical instructions on page 4.



**TLI-VR-SQ**

If Model TLI is to be flush mounted to ceiling using ERD-8 back box and BR-8WS (or BR-8VP vandal resistant grill), refer to mechanical instructions on page 5.

**TLI-CF with standard grill (BR-8WS)**  
**TLI-VR-F with Vandal resistant grill (BR-8VP)**



**TLI-CF/TLI-VR-F**

If Model TLI is to be surface mounted to ceiling using MR-8 Surface Mounting Ring and BR-8WS Grill, refer to mechanical instructions on page 6.



**TLI-CS**

# INSTALLATION AND OPERATING INSTRUCTIONS

## MICROPHONE CONNECTION (SEE DIAGRAM PAGE 4):

Connection to the microphone is thru the Terminal block of the pboard mounted on the speaker and is labeled A, B, C. Using West Penn 356 or equivalent four conductor cable, connect as follows:

- 1) Connect RED wire (shielded) to terminal block marked "A" (12 Vdc supply)
- 2) Connect BLACK wire (shielded) to terminal block marked "B" (audio)
- 3) Connect DRAIN wire (bare) to terminal block marked "C" (ground)

## SPEAKER CONNECTION (SEE DIAGRAM PAGE 4):

Using wire nuts, connect speaker wires as follows:

- 1) Black wire of TLI connects to the White wire of West Penn356 (common)
- 2) Green wire of TLI connects to Green wire of West Penn 356

## CONNECTING MODEL TLI TO LOUROE AUDIO BASE STATION

The audio inputs differ among the various Louroe base stations. Refer to the installation instructions for the specific model base station.

## NOTE: IF USING CABLE FROM OTHER MANUFACTURERS, COLOR CODE MAY

## SENSITIVITY SWITCH OF TLI MICROPHONE

For special installations that require less microphone sensitivity, a sensitivity switch is located at the top right corner of the PC board and has two positions, N (normal) and L (low). Factory set at "N". Use small screwdriver to move slide switch to L position (low sensitivity).

### SPECIFICATIONS (MICROPHONE)

■ Sensitivity	-45 dBV/Pa 1 Pa = 94 dB SPL
■ Frequency Response	50 Hz to 15 kHz
■ Output	Line Level (0 dBV, 600Ω @ 1kHz)
■ Current Drain	10mA
■ Supply Voltage	12 Vdc

### SPECIFICATIONS (Speaker)

■ Power rating	15W
■ Input	70.7V constant
■ Frequency response	65 Hz to 17 kHz
■ Voice coil impedance	8Ω
■ Speaker size	8"

### SPECIFICATIONS (Mechanical)

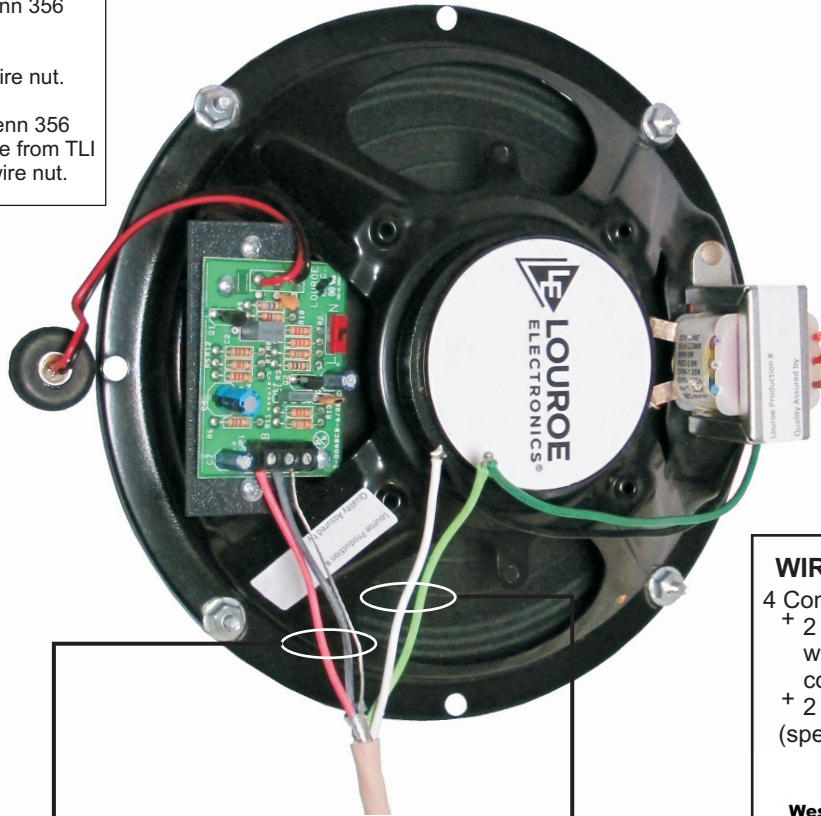
■ TLI (No housing)	8" Dia x 2 5/8" D
■ TLI-CS/TLI-CF/TLI-VR-F Faceplate with Speaker and microphone	12 7/8" Dia x 2 3/4" D
■ ERD-8 (Backbox for TLI-CF)	12 1/4" Dia x 4" D
■ MR-8 (Mounting ring for TLI-CS)	12 3/8" Dia x 3" D
■ TLI-VR-SQ	13" H x 11" W x 4" D
■ TLI (No housing) Weight	1 lb 11 oz
■ Shipping Weight	4 lbs
■ TLI-CS Weight	2 lbs 10 oz
■ TLI-CS Shipping Weight	7 lbs
■ TLI-CF Weight	2 lbs
■ TLI-CF Shipping Weight	6 lbs
■ TLI-VR-F Weight	3 lbs x 10 oz
■ TLI-VR-F Shipping Weight	8 lbs
■ TLI-VR-SQ Weight	5 lbs 14 oz
■ TLI-VR-SQ Shipping Weight	10 lbs

# INSTALLATION AND OPERATING INSTRUCTIONS

## WIRING DIAGRAM FOR MODEL TLI SERIES SPEAKER/MICROPHONE

(THIS CONNECTIONS ARE THE SAME FOR ALL TLI MODELS)

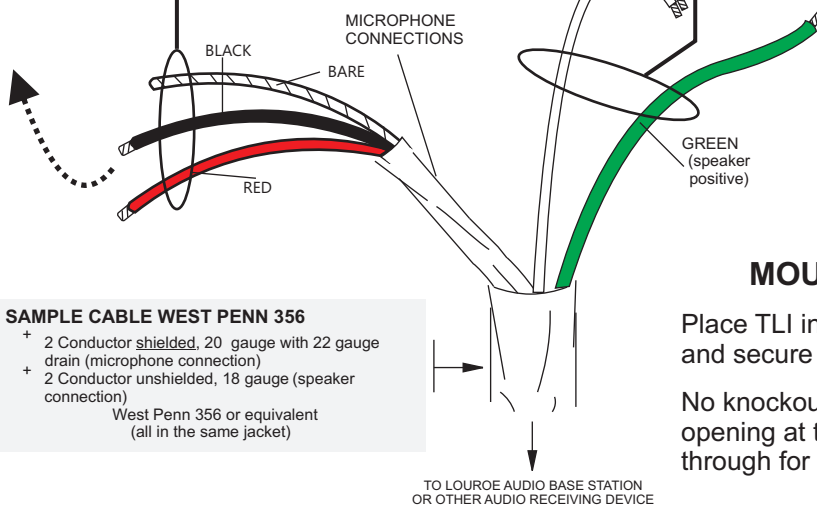
- 1) Speaker Connection  
White wire of West Penn 356 connects to Black wire (COMMON) from TLI Transformer using a wire nut.
- 2) Green wire of West Penn 356 connects to Green wire from TLI Transformer using a wire nut.



### WIRING REQUIREMENTS

- 4 Conductor consisting of:
- + 2 Conductor **shielded**, 20 gauge with 22 gauge drain (microphone connection)
  - + 2 Conductor **unshielded**, 18 gauge (speaker connection)
- All in the same jacket

West Penn 356 or equivalent



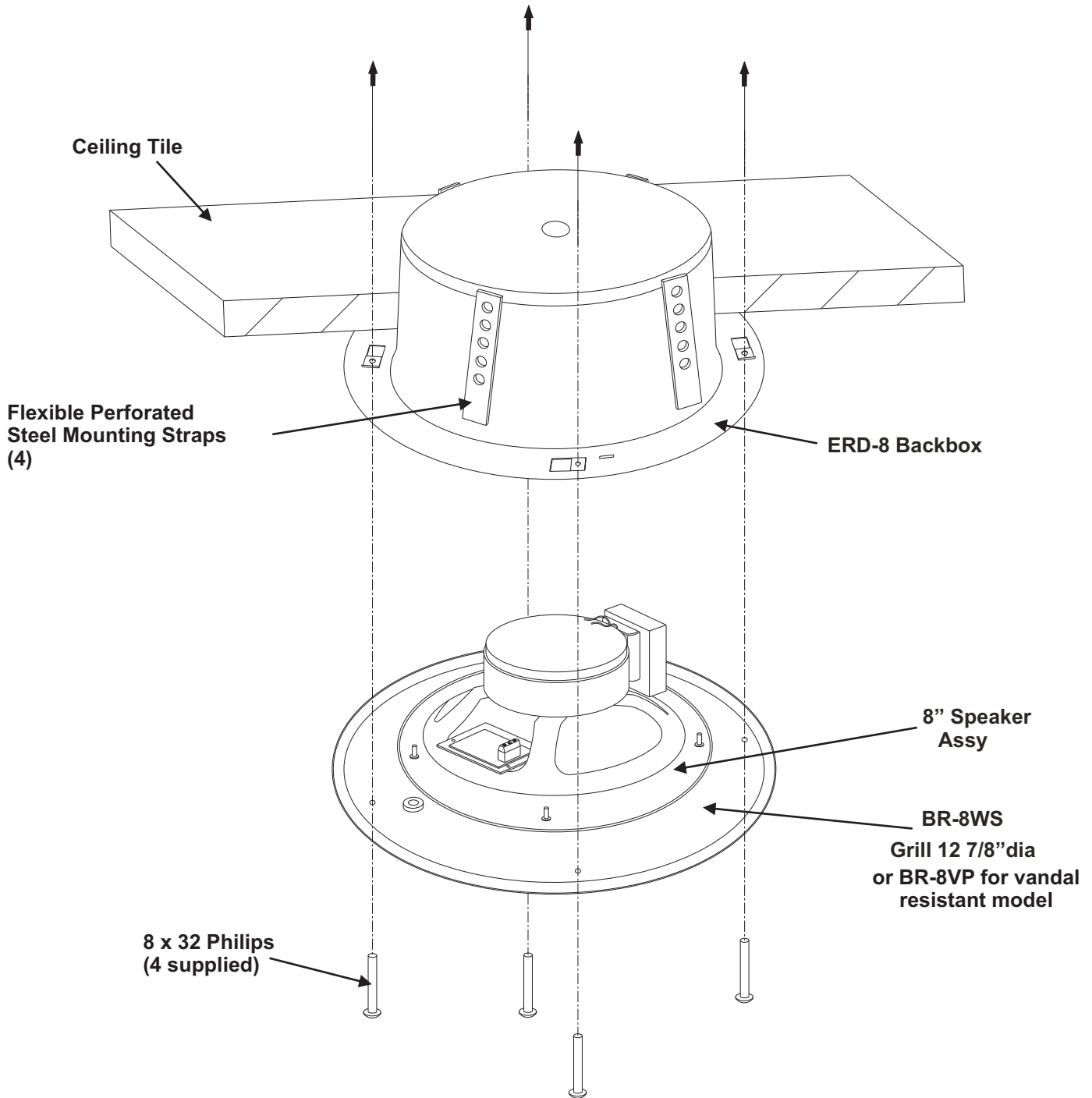
**SAMPLE CABLE WEST PENN 356**  
+ 2 Conductor **shielded**, 20 gauge with 22 gauge drain (microphone connection)  
+ 2 Conductor **unshielded**, 18 gauge (speaker connection)  
West Penn 356 or equivalent  
(all in the same jacket)

### MOUNTING TLI TO VRSC HOUSING

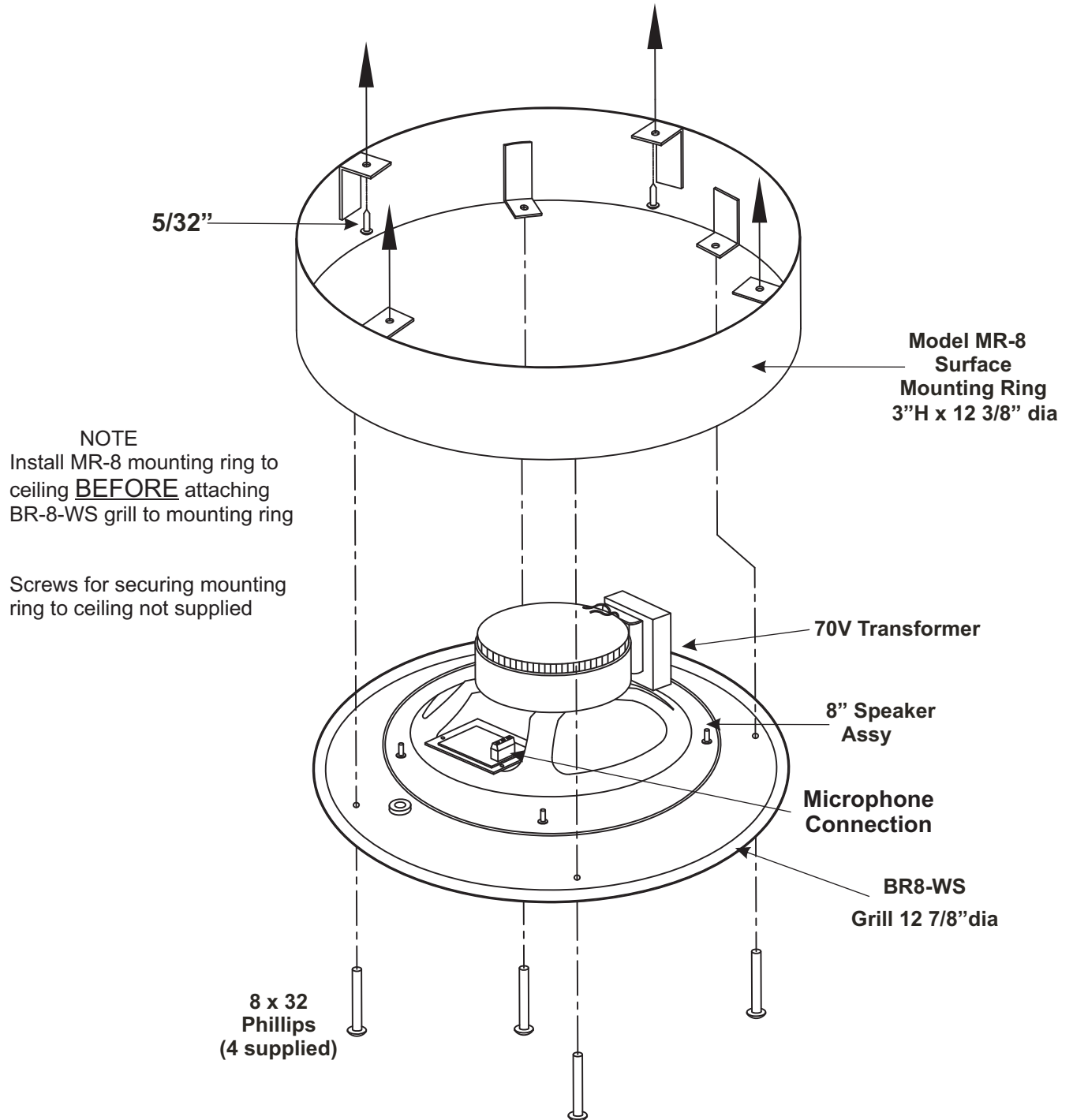
Place TLI inside VRSC matching the 4 mounting screws and secure with furnished nuts and washers.

No knockouts are provided on the VRSC. Bore a 3/4" opening at the desired side of VRSC for passing cable through for connecting to TLI.

MOUNTING ASSEMBLY  
FOR  
LOUROE MODEL TLI-CF AND TLI-VR-F SPEAKER/MICROPHONE  
CEILING MOUNT - FLUSH



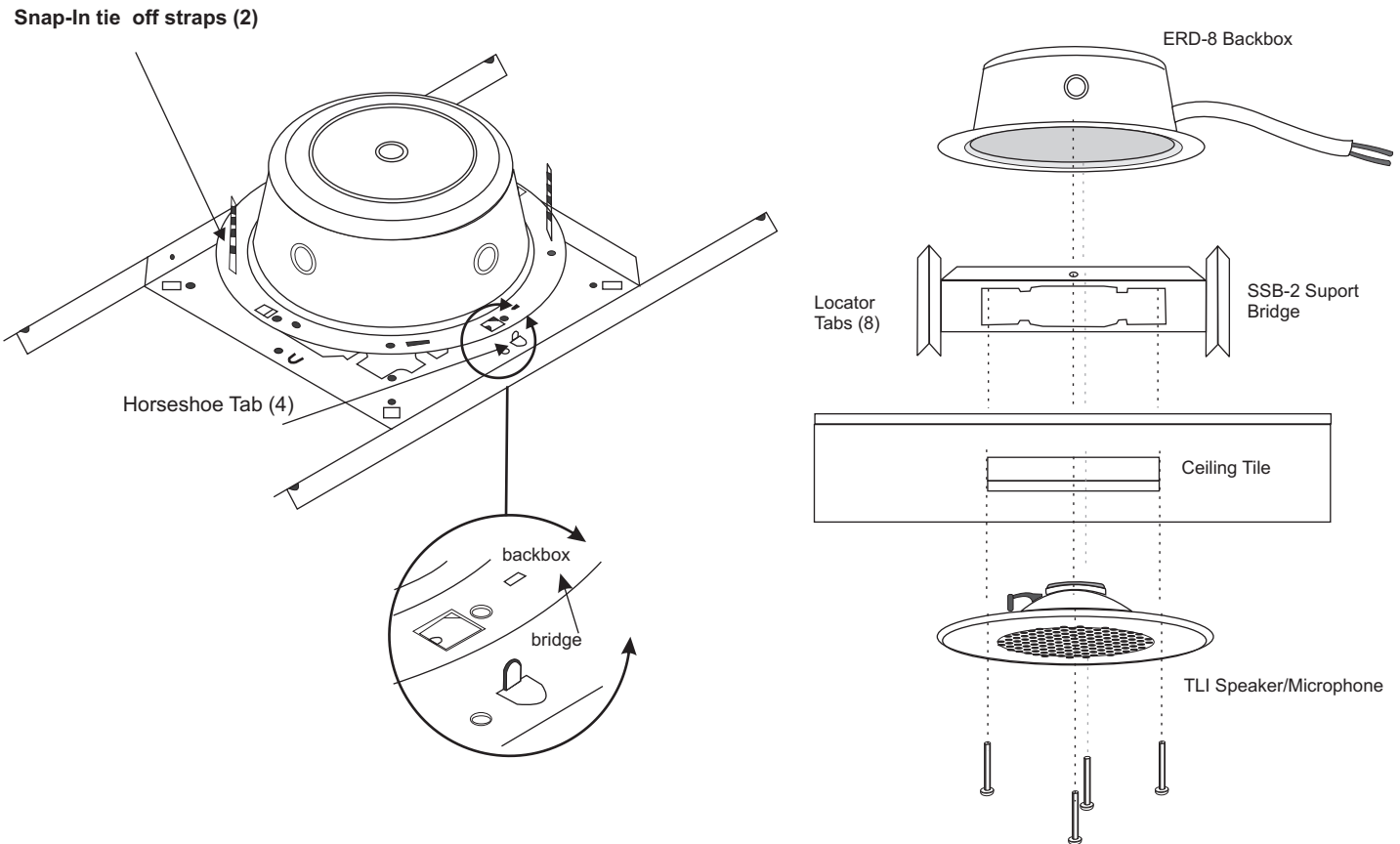
**MOUNTING ASSEMBLY  
FOR  
LOUOE MODEL TLI-CS SPEAKER/MICROPHONE  
CEILING MOUNT - SURFACE**



# MODEL SSB-2 SUPPORT BRIDGE

If Model SSB-2 Support Bridge is being used with Model TLI Speaker/Microphone ceiling Installation, refer to drawing below for positioning SSB-2 Support Bridge.

SSB-2 is optional and used to prevent tile sag caused by the weight of the installation on suspended ceiling.



**MANUFACTURED IN  
THE**



**IMPORTANT NOTICE**

When this equipment is used as part of an audio monitoring system, the law requires that the public be given notice of AUDIO MONITORING ON THE PREMISES. A decal notice is included with each microphone shipped.



Federal Law References:  
Federal Regulations, US Code, Title 18.  
Crime and Criminal Procedure, Sec 2510.

**WARRANTY**

LOUROE ELECTRONICS® warrants that at the time of shipment products manufactured by LOUROE ELECTRONICS® to be free of defects in material and workmanship. Should a defect appear within one year (12 months) from date of shipment, LOUROE ELECTRONICS will, at its sole discretion, repair or replace the defective equipment. This equipment shall not be accepted for repair or return without prior notification by LOUROE ELECTRONICS®.

This warranty does not extend to any Louroe product that has been subjected to improper or incorrect installation, misuse, accident, or in violation of installation instructions provided by LOUROE ELECTRONICS®.

Returned shipments to LOUROE ELECTRONICS® shall be at customer's expense. LOUROE ELECTRONICS® will return the equipment prepaid via best way.