

**APPLICATION**

**Intended Use:**  
**Program Material:**  
**Installation:**

Mass notification and emergency communications  
 Signal tones and voice  
 Fits into a 2' x 2' or 2' x 4' ceiling tile grid

**INSTALLATION INSTRUCTIONS**

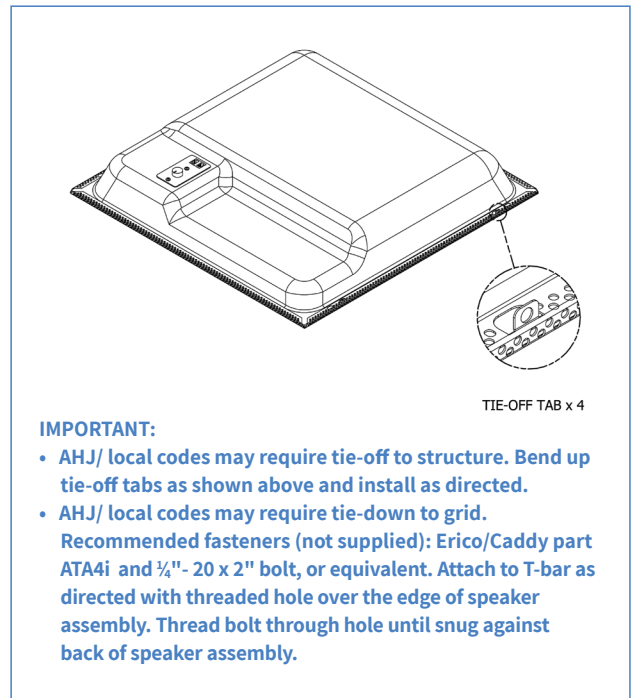
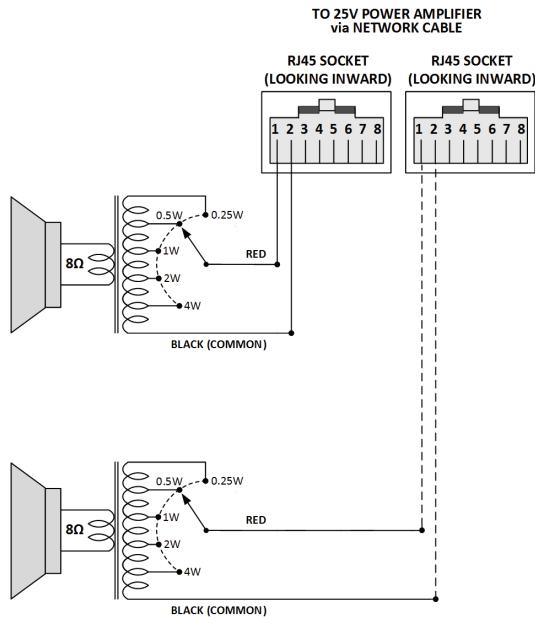
- Cut ceiling tile as required:  
 2' x 2' tile – No cutting required.  
 2' x 4' tile – Cut tile in half on 4' side.
- Insert the field wiring RJ45 connector from a 25V amplifier into the RJ45 socket on the SYSTEM 12/25RSRJ until it locks (clicks) into place.

- Using the rotary selector, select the desired speaker tap power level.

**IMPORTANT:**

- Verify all code requirements with local AHJ before selecting connection method.
- Using code compliant connectors for all field wiring.

- Place assembly onto ceiling grid, install 24" T-bar trim piece where required (not supplied).



**IMPORTANT:**

- AHJ/ local codes may require tie-off to structure. Bend up tie-off tabs as shown above and install as directed.
- AHJ/ local codes may require tie-down to grid. Recommended fasteners (not supplied): Erico/Caddy part ATA4i and ¼" - 20 x 2" bolt, or equivalent. Attach to T-bar as directed with threaded hole over the edge of speaker assembly. Thread bolt through hole until snug against back of speaker assembly.

- Place remaining ceiling tile into grid opening as required.