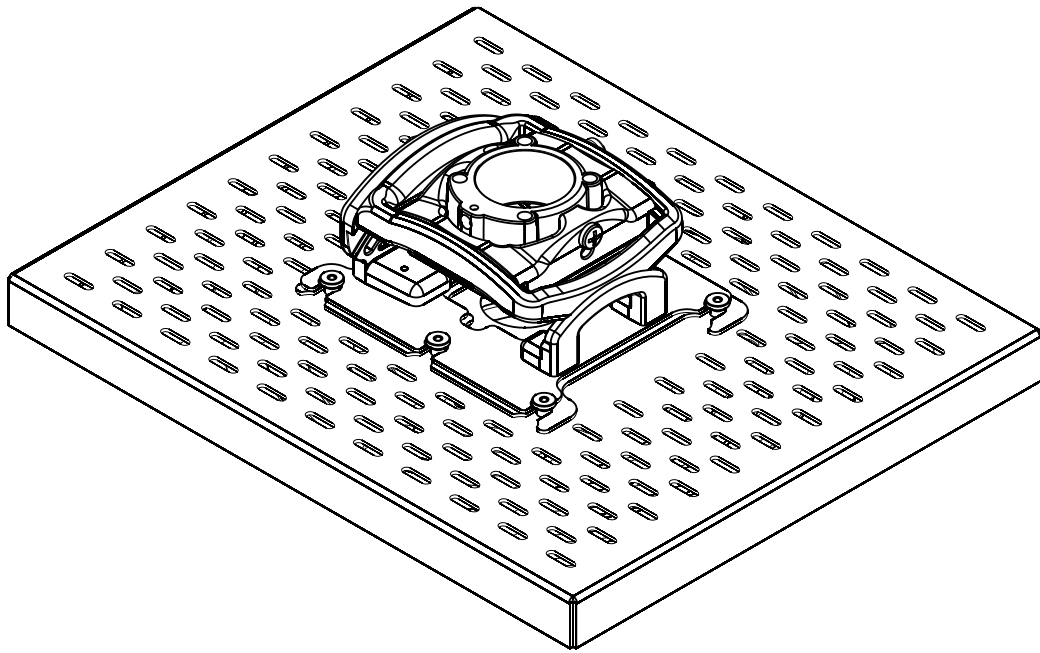


---

# INSTALLATION INSTRUCTIONS

---



---

## Security SLM Series Mount

---

---

 **CHIEF**<sup>®</sup>

**RPMA1, -B1, -C1**

---

**DISCLAIMER**

CSAV, Inc., and its affiliated corporations and subsidiaries (collectively, "CSAV"), intend to make this manual accurate and complete. However, CSAV makes no claim that the information contained herein covers all details, conditions or variations, nor does it provide for every possible contingency in connection with the installation or use of this product. The information contained in this document is subject to change without notice or obligation of any kind. CSAV makes no representation of warranty, expressed or implied, regarding the information contained herein. CSAV assumes no responsibility for accuracy, completeness or sufficiency of the information contained in this document.

**! IMPORTANT WARNINGS AND CAUTIONS!**

**! WARNING:** A WARNING alerts you to the possibility of serious injury or death if you do not follow the instructions.

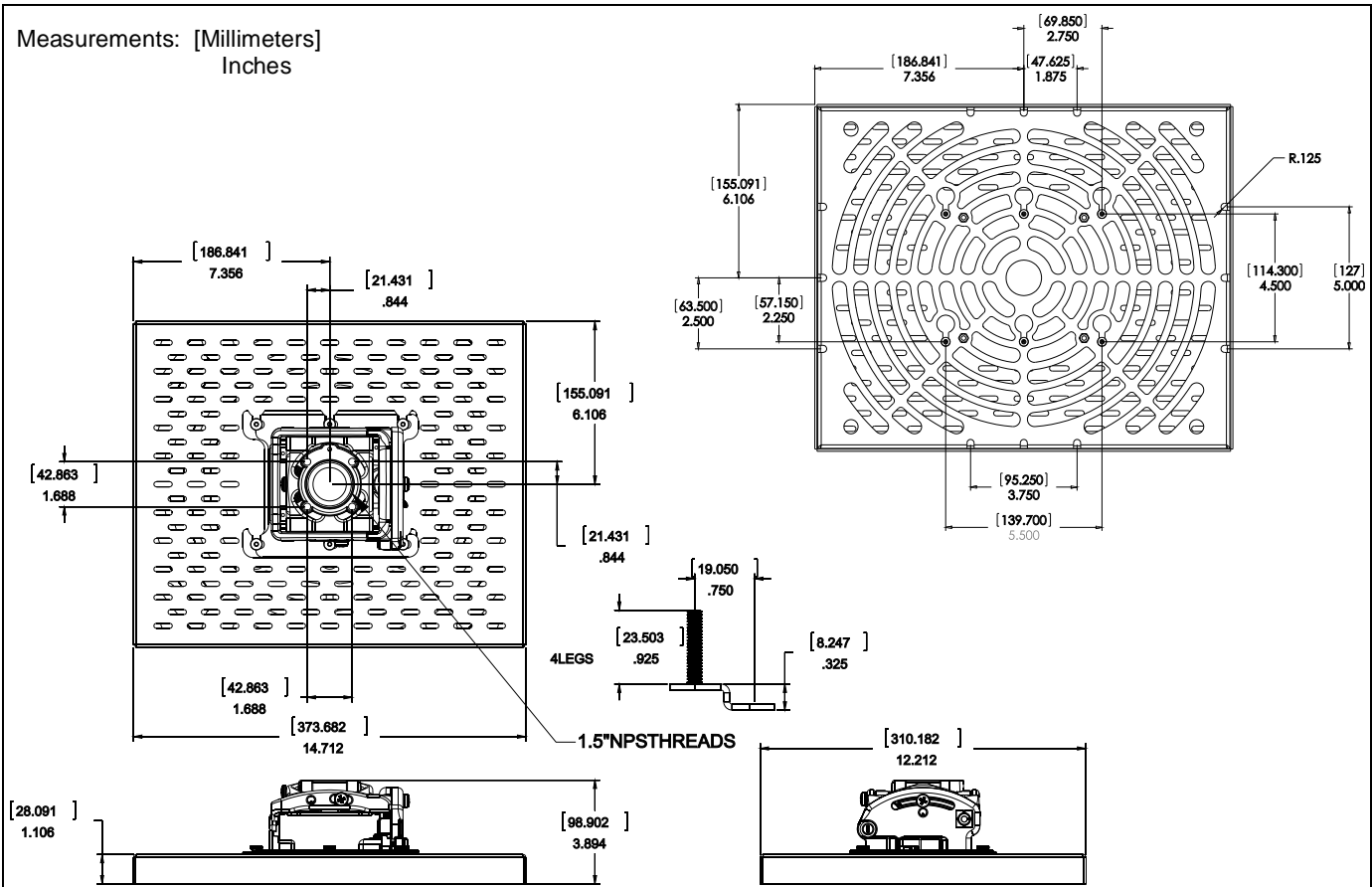
**! CAUTION:** A CAUTION alerts you to the possibility of damage or destruction of equipment if you do not follow the corresponding instructions.

**! WARNING:** Failure to read, thoroughly understand, and follow all instructions can result in serious personal injury, damage to equipment, or voiding of factory warranty! It is the installer's responsibility to make sure all components are properly assembled and installed using the instructions provided.

**! WARNING:** Failure to provide adequate structural strength for this component can result in serious personal injury or damage to equipment! It is the installer's responsibility to make sure the structure to which this component is attached can support five times the combined weight of all equipment. Reinforce the structure as required before installing the component.

**! WARNING:** Exceeding the weight capacity can result in serious personal injury or damage to equipment! It is the installer's responsibility to make sure the combined weight of all components attached to the RPMA1 does not exceed 50 lbs (22.68 kg).

**DIMENSIONS**



**LEGEND**

	<b>Tighten Fastener</b>
	Apretar elemento de fijación
	Befestigungsteil festziehen
	Apertar fixador
	Serrare il fissaggio
	Bevestiging vastdraaien
	Serrez les fixations

	<b>Loosen Fastener</b>
	Aflojar elemento de fijación
	Befestigungsteil lösen
	Desapertar fixador
	Allentare il fissaggio
	Bevestiging losdraaien
	Desserrez les fixations

	<b>Phillips Screwdriver</b>
	Destornillador Phillips
	Kreuzschlitzschraubendreher
	Chave de fendas Phillips
	Cacciavite a stella
	Kruiskopschroevendraaier
	Tournevis à pointe cruciforme

	<b>Open-Ended Wrench</b>
	Llave de boca
	Gabelschlüssel
	Chave de bocas
	Chiave a punte aperte
	Steeksleutel
	Clé à fourche

	<b>By Hand</b>
	A mano
	Von Hand
	Com a mão
	A mano
	Met de hand
	À la main

	<b>Hex-Head Wrench</b>
	Llave de cabeza hexagonal
	Sechskantschlüssel
	Chave de cabeça sextavada
	Chiave esagonale
	Zeskantsleutel
	Clé à tête hexagonale

	<b>Pencil Mark</b>
	Marcar con lápiz
	Stiftmarkierung
	Marcar com lápis
	Segno a matita
	Potloodmerkteken
	Marquage au crayon

	<b>Drill Hole</b>
	Perforar
	Bohrloch
	Fazer furo
	Praticare un foro
	Gat boren
	Percez un trou

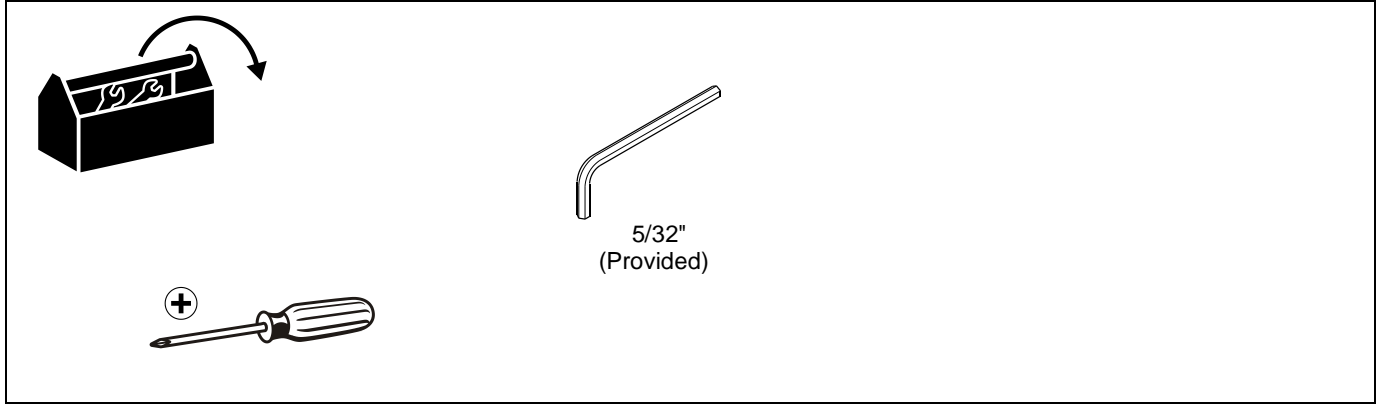
	<b>Adjust</b>
	Ajustar
	Einstellen
	Ajustar
	Regolare
	Afstellen
	Ajuster

	<b>Remove</b>
	Quitar
	Entfernen
	Remover
	Rimuovere
	Verwijderen
	Retirez

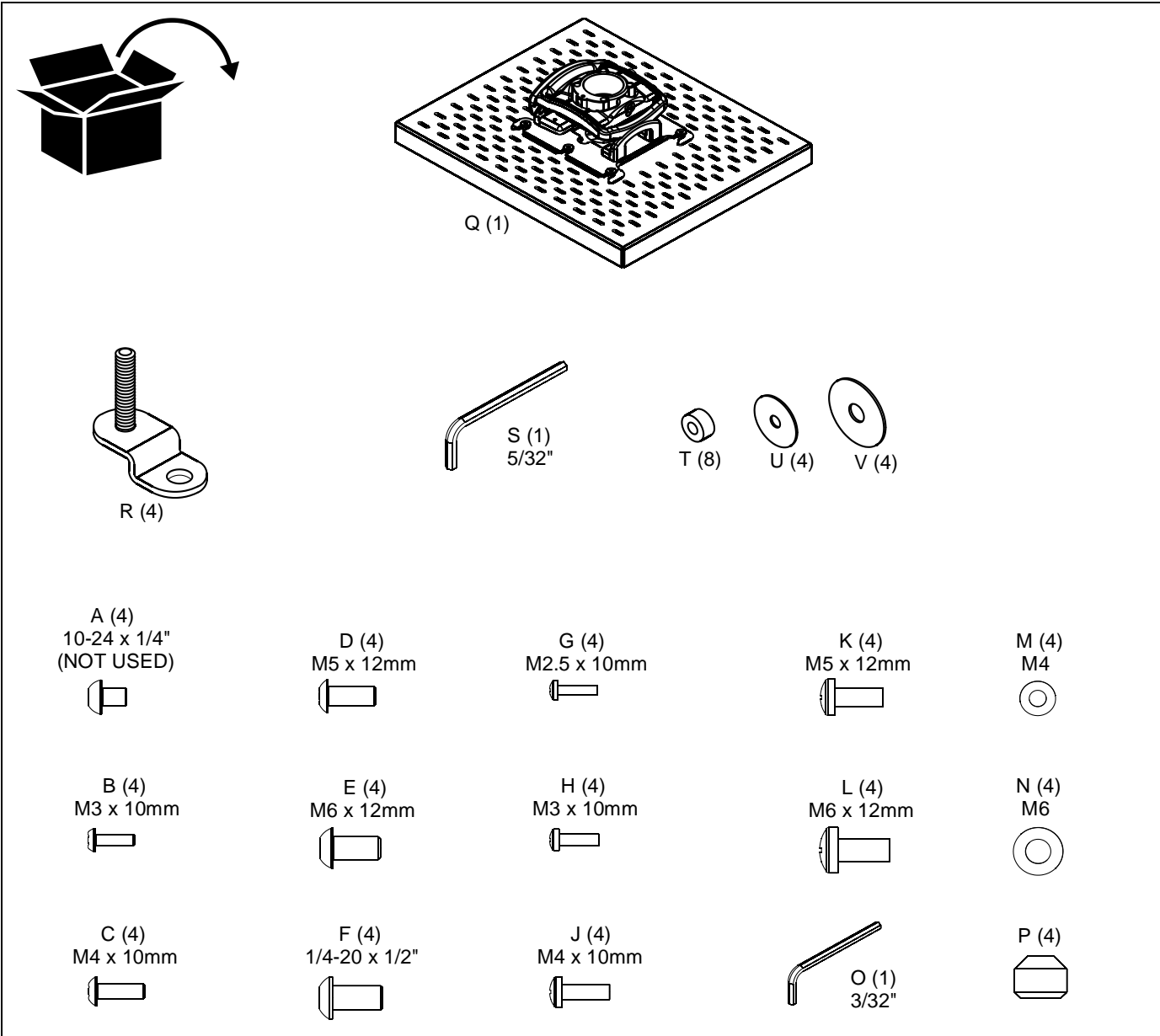
	<b>Optional</b>
	Opcional
	Optional
	Opcional
	Opzionale
	Optie
	En option

	<b>Security Wrench</b>
	Llave de seguridad
	Sicherheitsschlüssel
	Chave de segurança
	Chiave di sicurezza
	Veiligheidssleutel
	Clé de sécurité

**TOOLS REQUIRED FOR INSTALLATION**



**PARTS**



## ASSEMBLY AND INSTALLATION

### Installing Ceiling Plate and Disassembling RPMA1



**WARNING:** IMPROPER INSTALLATION CAN RESULT IN SERIOUS PERSONAL INJURY OR DAMAGE TO EQUIPMENT! Structural members **MUST** be capable of supporting five times the combined weight of all equipment being mounted.

1. Install ceiling plate and extension accessories following installation instruction provided by manufacturer.
2. Insert key into lock and turn to unlock the projector from RPM head. (See Figure 1)
3. Moving locking lever to "Unlocked" position. (See Figure 1)
4. Remove the RPM head from RPMA1 top. (See Figure 1)

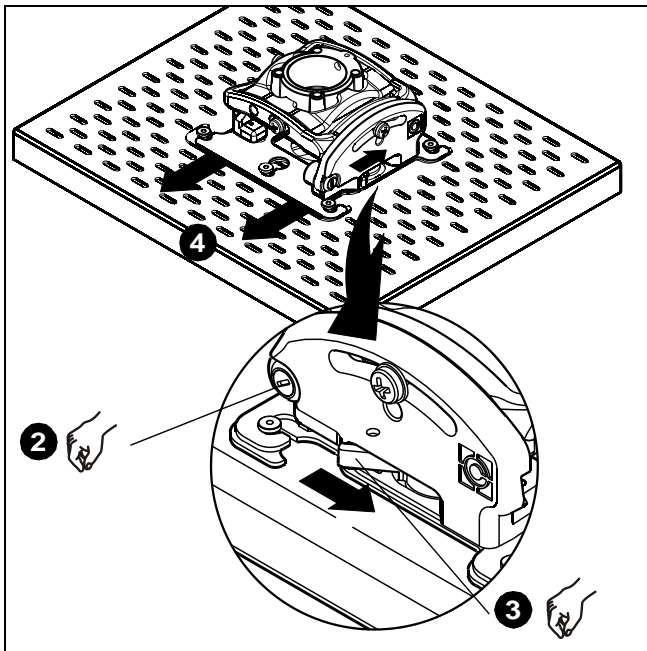


Figure 1

5. Remove and keep four Phillips screws from top of RPMA1. (See Figure 2)

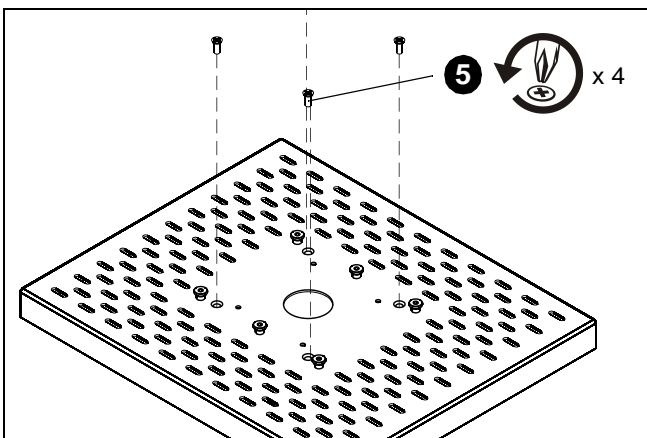


Figure 2

6. Pull RPMA1 bottom away from RPMA1 top.

### Attaching Projector Security Legs

1. Attach the projector security legs (R) to the projector, using the correct size screws and washers for your specific projector. (See Figure 3)

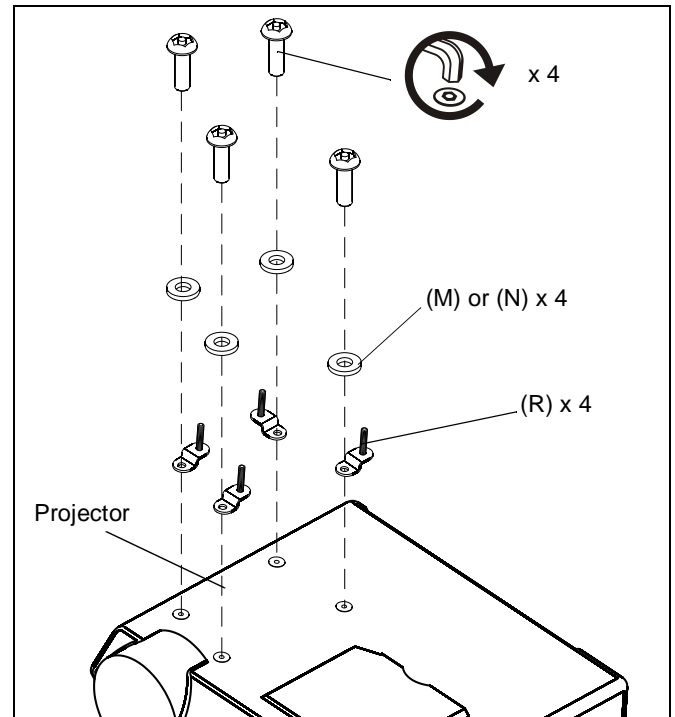


Figure 3

2. Add washers (U) to the projector security legs (R). Add spacers (T) as necessary to level the projector security legs (R). (See Figure 4)

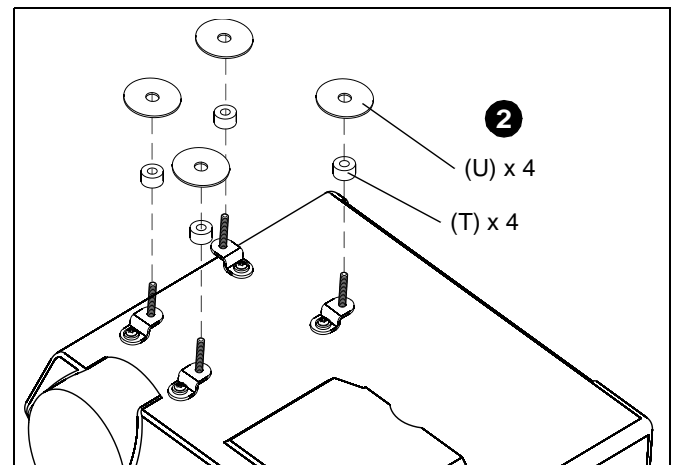


Figure 4

### Attaching Projector to RPMA1 Bottom

1. Align projector and RPMA1 bottom so that the projector is oriented correctly.

- Remove the paper backing from the adhesive washers (V) and attach projector to RPMA1 bottom using adhesive washers (V) and thumbnuts (P) over the security legs (R). (See Figure 5)

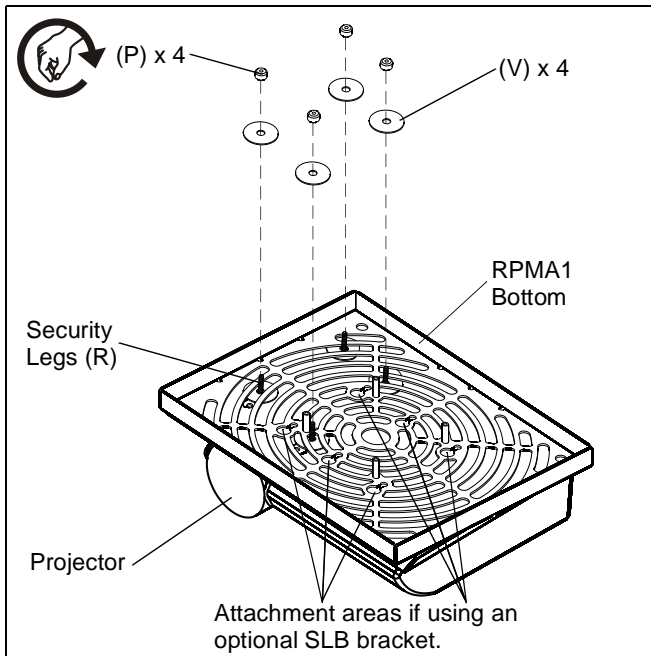


Figure 5

**NOTE:** An optional SLB bracket may be purchased and used to attach projector to RPMA1. (See Figure 5)

- Attach RPMA1 bottom to RPMA1 top using four Phillips screws removed in Step 5 of **Installing Ceiling Plate and Disassembling RPMA1**. (See Figure 6)

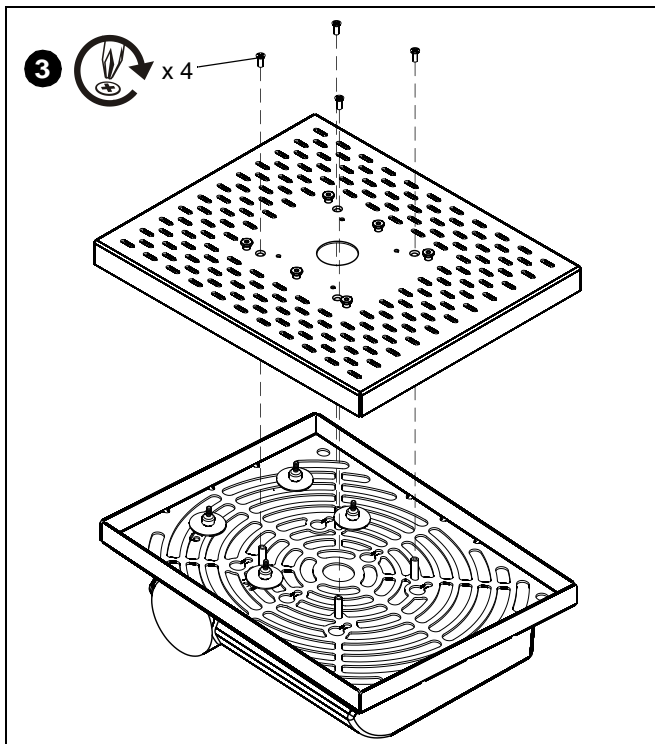


Figure 6

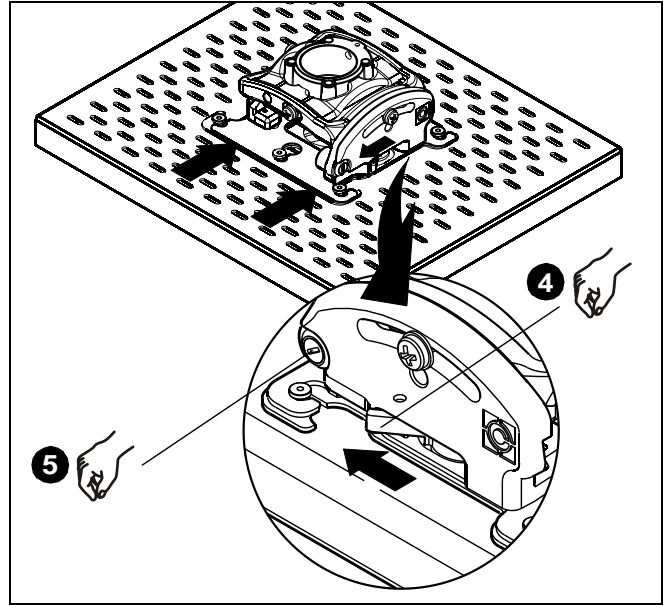


Figure 7

- Move locking lever to "Locked" position. (See Figure 7)
- Insert key into lock and turn to secure projector to mount. (See Figure 7)

### Attaching RPMA1 to Threaded Pipe



**WARNING:** IMPROPER INSTALLATION CAN LEAD TO PROJECTOR FALLING RESULTING IN SERIOUS PERSONAL INJURY OR DAMAGE TO EQUIPMENT. DO NOT substitute hardware. Use only the hardware provided by the manufacturer.

- Align RPMA1 with end of NTP pipe. (See Figure 8)
- Thread RPMA1 up onto pipe by turning counterclockwise until hand tight. (See Figure 8)

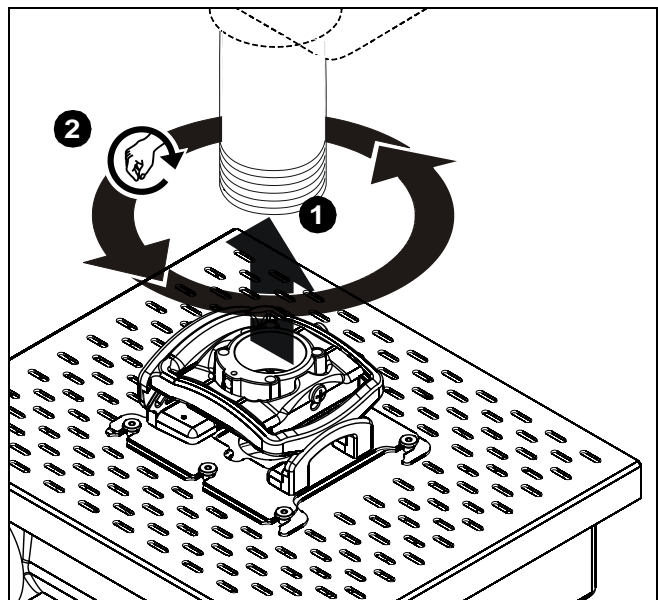


Figure 8

### Rough Alignment of RPMA1

1. Turn RPMA1 clockwise or counterclockwise until the front of the RPMA1 and projector is facing target. (See Figure 9)

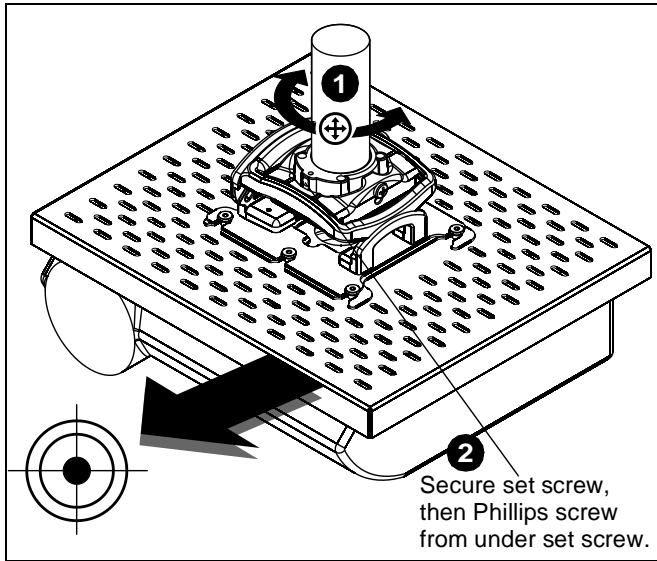


Figure 9

2. Secure set screw and security Phillips screw under set screw. (See Figure 9)

### Adjustments

The RPMA1 can be adjusted for rotation (yaw), vertical elevation (pitch), and horizontal tilt (roll).

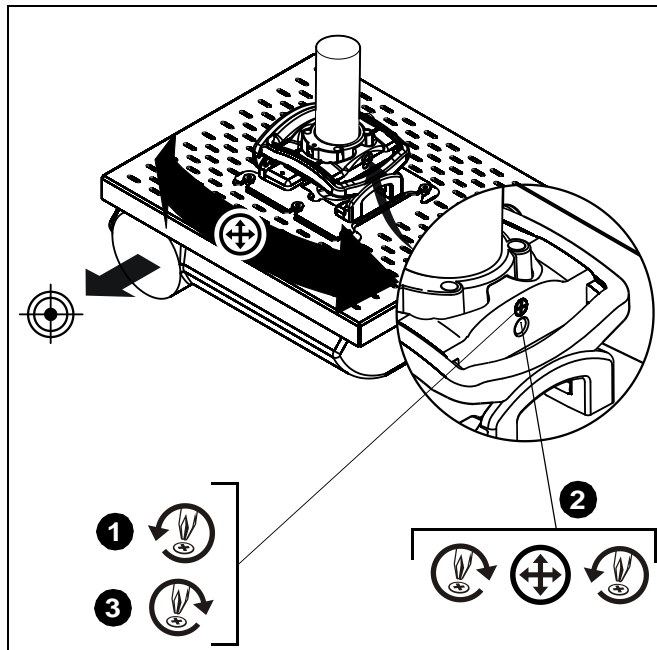


Figure 10

### YAW Adjustment

1. Loosen YAW adjustment locking screw using a #2 Phillips screwdriver. (See Figure 10)
2. Turn YAW micro-adjustment screw right or left using a #2 Phillips screwdriver until image is properly aligned on target.

3. Tighten YAW adjustment locking screw using a #2 Phillips screwdriver.

### PITCH Adjustment

1. Loosen PITCH adjustment locking screw using a #2 Phillips screwdriver. (See Figure 11)
2. Turn PITCH micro-adjustment screw right or left using a #2 Phillips screwdriver until image is properly aligned on target.
3. Tighten PITCH adjustment locking screw using a #2 Phillips screwdriver.

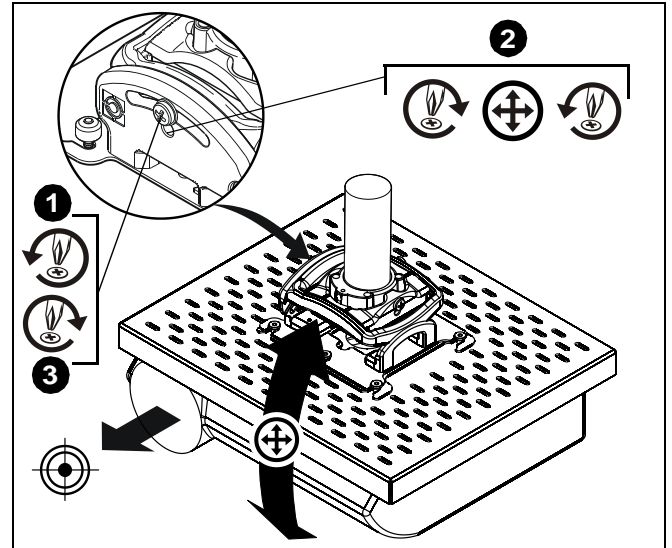


Figure 11

### ROLL Adjustment

1. Loosen ROLL adjustment locking screw using a #2 Phillips screwdriver. (See Figure 12)
2. Turn ROLL micro-adjustment screw right or left using a #2 Phillips screwdriver until image is properly aligned on target.
3. Tighten ROLL adjustment locking screw using a #2 Phillips screwdriver.

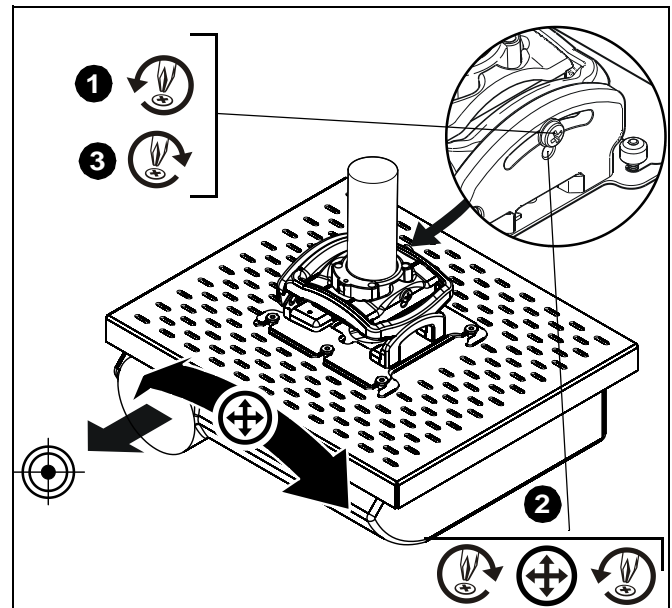


Figure 12



8802-000254  
©2007 Chief Manufacturing  
[www.chiefmfg.com](http://www.chiefmfg.com)  
04/07

<b>USA/International</b>	<b>A</b> 8401 Eagle Creek Parkway, Savage, MN 55378 <b>P</b> 800.582.6480 / 952.894.6280 <b>F</b> 877.894.6918 / 952.894.6918
<b>Europe</b>	<b>A</b> Fellenoord 130 5611 ZB EINDHOVEN, The Netherlands <b>P</b> +31 (0)40 2668620 <b>F</b> +31 (0)40 2668615
<b>Asia Pacific</b>	<b>A</b> Room 30I, Block D, Lily YinDu International Building LuoGang, BuJi Town, Shenzhen, CHINA. Post Code: 518112 深圳市布吉罗岗百合银都国际大厦D栋30I <b>P</b> +86-755-8996 9226 ; 8996 9236 ; 8996 9220 <b>F</b> +86-755-8996 9217