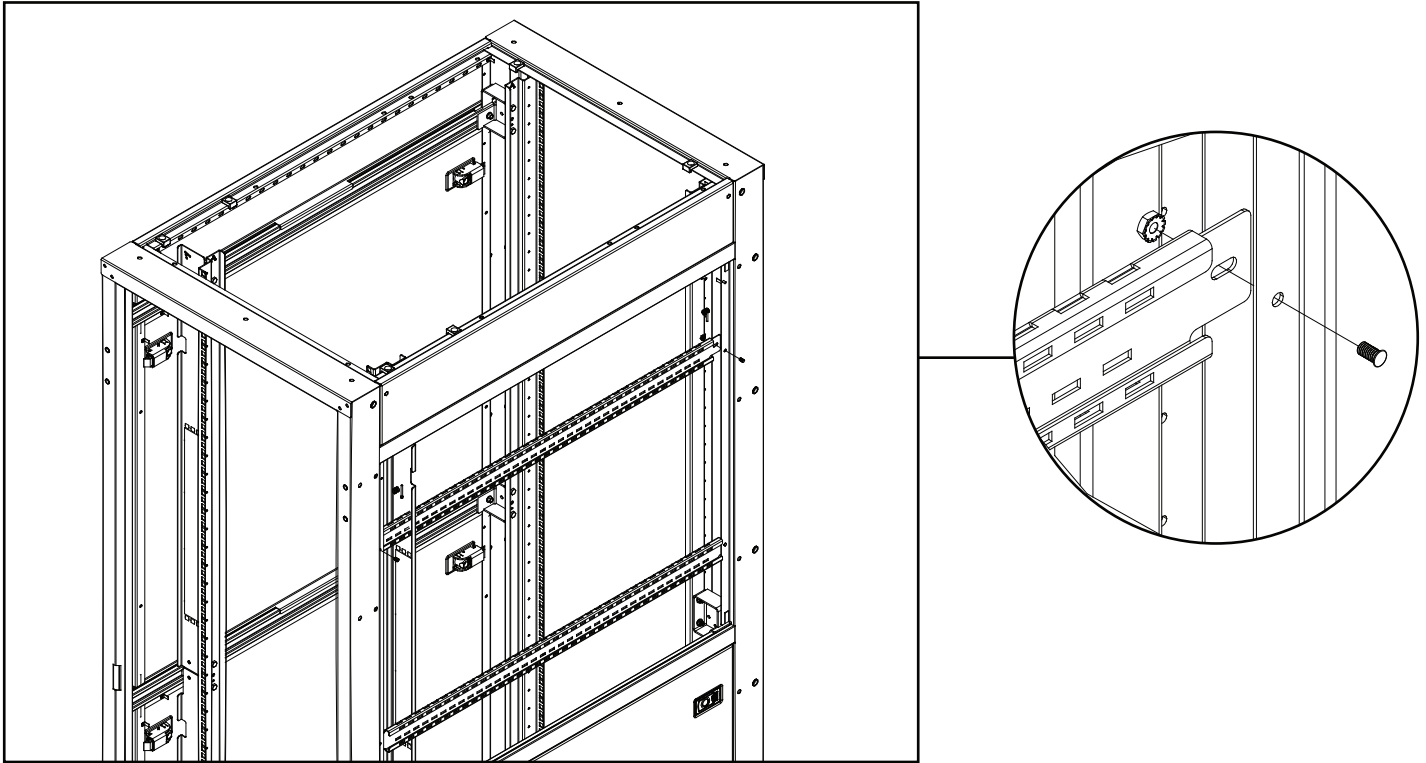


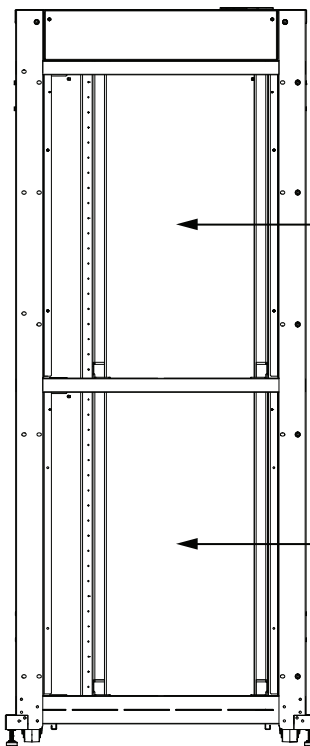
INSTALLATION INSTRUCTIONS  
**SNE SERIES**  
**LEVER LOCK™ BRACKET**

1) Install the Lever Lock™ brackets into the two holes on the side of the enclosure. Brackets can be installed in the top or bottom of the enclosure. Face the flanges to the outside. A 3/8" wrench is required. **(FIGURE A)**

**NOTE:** All Lever Lock™ vertical 21 space options can be used in this application.



**NOTE:** Lever Lock™ can be installed in four locations.



LOCATIONS ONE AND TWO.  
TOP LEFT AND RIGHT SIDES.

LOCATIONS THREE AND FOUR.  
BOTTOM LEFT AND RIGHT SIDES.