

lenovo

ThinkStation P300
Hardware Maintenance Manual



ThinkThink**ThinkStation**Think

Machine Types: 30AG, 30AH, 30AJ, and 30AK

Note: Before using this information and the product it supports, be sure to read the general information under Appendix B “Notices” on page 231.

First Edition (June 2014)

© Copyright Lenovo 2014.

LIMITED AND RESTRICTED RIGHTS NOTICE: If data or software are delivered pursuant a General Services Administration “GSA” contract, use, reproduction, or disclosure is subject to restrictions set forth in Contract No. GS-35F-05925.

Contents

About this manual iii

Chapter 1. Safety information 1

General safety 1

Electrical safety 1

Safety inspection guide 3

Handling electrostatic discharge-sensitive devices 3

Grounding requirements 4

Safety notices (multi-lingual translations) 4

Chapter 2. General information 27

Specifications (30AG and 30AH) 27

Specifications (30AJ and 30AK) 28

Lenovo programs 28

 Accessing Lenovo programs on the Windows 7 operating system 28

 Accessing Lenovo programs on the Windows 8.1 operating system 29

Lenovo Support Web site 30

Chapter 3. General checkout 31

Problem determination tips 31

Chapter 4. Troubleshooting and diagnostics 33

Basic troubleshooting 33

Accessing Control Panel on the Windows 8.1 operating system 34

Troubleshooting procedure 34

Troubleshooting 35

 Audio problems 35

 CD problems 37

 DVD problems 38

 Intermittent problems 39

 Hard disk drive problems 39

 Keyboard, mouse, or pointing device problems 40

 Monitor problems 42

 Networking problems 44

 Option problems 46

 Performance and lockup problems 46

 Printer problems 48

 Serial connector problems 49

 Software problems 49

 A wireless LAN problem 50

 Bluetooth problem 50

 USB problems 51

Diagnostics 51

Lenovo Solution Center 51

UEFI diagnostic program 52

Chapter 5. Advanced configuration 53

Using the Setup Utility program 53

 Starting the Setup Utility program 53

 Viewing and changing settings 53

 Using BIOS passwords 54

 Enabling or disabling a device 55

 Selecting a startup device 55

 Enabling ErP LPS compliance mode 56

 ICE performance mode 57

 ICE thermal alert 57

 Changing the BIOS settings before installing a new operating system 58

 Exiting the Setup Utility program 58

Configuring RAID 58

 RAID Level 58

 Configuring the system BIOS to enable SATA RAID functionality 59

 Creating RAID volumes 59

 Deleting RAID volumes 59

 Resetting disks to non-RAID 60

Chapter 6. Symptom-to-FRU index 61

Hard disk drive boot error 61

Power supply problems 61

Beep symptoms 61

POST error codes 62

Miscellaneous error conditions 63

Undetermined problems 64

Chapter 7. Locations 67

Locations (30AG, and 30AH) 67

 Locating connectors, controls, and indicators on the front of your computer 67

 Locating connectors on the rear of your computer 68

 Locating major FRUs and CRUs 69

 Looking up FRU information 72

 Locating parts on the system board 72

 Locating internal drives 73

Locations (30AK and 30AJ) 74

 Locating connectors, controls, and indicators on the front of your computer 74

 Locating connectors on the rear of your computer 75

 Locating major FRUs and CRUs 76

 Looking up FRU information 78

Locating parts on the system board	79
Locating internal drives	80
Chapter 8. Replacing FRUs	83
Installing or replacing hardware (30AG and 30AH)	83
Removing the computer cover.	83
Removing and reinstalling the front bezel	84
Installing or replacing a PCI card	85
Installing or replacing a memory module.	88
Installing or replacing a device in the optical drive bay	90
Replacing the front audio and USB assembly	99
Installing or replacing the card reader	101
Replacing the battery	103
Replacing the power supply assembly	104
Replacing the heat sink and fan assembly	105
Replacing the internal speaker.	107
Replacing the thermal sensor	108
Replacing the microprocessor.	110
Installing the solid-state drive	113
Installing or replacing the mSATA solid-state drive	114
Replacing the primary hard disk drive.	118
Replacing the secondary hard disk drive.	119
Installing the tertiary hard disk drive	121
Replacing the front fan assembly	125
Replacing the rear fan assembly	126
Replacing the power button.	127
Replacing the cover presence switch	129
Replacing the system board	130
Replacing the Wi-Fi units.	133
Installing or removing the rear Wi-Fi antenna	138
Installing or removing the front Wi-Fi antenna	140
Replacing the keyboard or mouse	141
Completing the parts replacement	142
Installing or replacing hardware (30AK and 30AJ)	143
Removing the computer cover.	144
Removing and reinstalling the front bezel	145
Accessing the system board components and drives	146
Installing or replacing a memory module.	146
Installing or replacing a PCI card	148
Installing or replacing the card reader	150
Replacing the battery	155
Installing or replacing the mSATA solid-state drive	156

Installing or replacing a device in the optical drive bay	162
Installing or replacing the solid-state drive	178
Replacing the front audio and USB assembly	182
Replacing the system fan.	183
Replacing the heat sink and fan assembly	185
Replacing the internal speaker.	188
Replacing the power supply assembly	190
Replacing the power button.	195
Replacing the cover presence switch	197
Replacing the microprocessor.	199
Replacing the primary hard disk drive	201
Replacing the secondary hard disk drive.	203
Replacing the system board	207
Replacing the thermal sensor	211
Replacing the Wi-Fi units.	213
Installing or removing the front Wi-Fi antenna	218
Installing or removing the rear Wi-Fi antenna	221
Replacing the keyboard or mouse	222
Completing the parts replacement	223
Obtaining device drivers	224

Chapter 9. Additional service information	225
Security features	225
Hardware controlled passwords	225
Operating system password	225
Vital product data.	225
BIOS levels	225
Flash update procedures	225
Updating (flashing) the BIOS from a disc.	226
Updating (flashing) the BIOS from your operating system	227
Recovering from a POST/BIOS update failure	227
Power management	228
Advanced configuration and power interface (ACPI) BIOS	228
Automatic Power-on features	228

Appendix A. System memory speed	229
--	------------

Appendix B. Notices.	231
Television output notice	232
European conformance CE mark	232
Trademarks	232

Index.	233
-----------------------	------------

About this manual

This manual provides service and reference information for ThinkStation® computers listed on the front cover.

Chapter 6 “Symptom-to-FRU index” on page 61 and Chapter 9 “Additional service information” on page 225 are not specific to any machine type and are applicable to all ThinkStation computers.

For major Field Replaceable Units (FRU) locations and Customer Replaceable Unit (CRU) identification, see Chapter 7 “Locations” on page 67.

For FRU replacement instructions, see Chapter 8 “Replacing FRUs” on page 83.

For FRU part numbers, go to:
<http://www.lenovo.com/serviceparts-lookup>

Important: This manual is intended only for trained service technicians who are familiar with ThinkStation computers. Use this manual along with the advanced diagnostic tests to troubleshoot problems effectively. Before servicing a ThinkStation computer, be sure to read and understand Chapter 1 “Safety information” on page 1.

Chapter 1. Safety information

This chapter contains the safety information that you need to be familiar with before servicing a computer.

General safety

Follow these rules to ensure general safety:

- Observe good housekeeping in the area of the machines during and after maintenance.
- When lifting any heavy object:
 1. Ensure you can stand safely without slipping.
 2. Distribute the weight of the object equally between your feet.
 3. Use a slow lifting force. Never move suddenly or twist when you attempt to lift.
 4. Lift by standing or by pushing up with your leg muscles; this action removes the strain from the muscles in your back.

Attention:

Do not attempt to lift any objects that weigh more than 16 kg (35 lb) or objects that you think are too heavy for you.

- Do not perform any action that causes hazards to the customer, or that makes the equipment unsafe.
- Before you start the machine, ensure that other service representatives and the customer's personnel are not in a hazardous position.
- Place removed covers and other parts in a safe place, away from all personnel, while you are servicing the machine.
- Keep your tool case away from walk areas so that other people will not trip over it.
- Do not wear loose clothing that can be trapped in the moving parts of a machine. Ensure that your sleeves are fastened or rolled up above your elbows. If your hair is long, fasten it.
- Insert the ends of your necktie or scarf inside clothing or fasten it with a nonconductive clip, approximately 8 centimeters (3 inches) from the end.
- Do not wear jewelry, chains, metal-frame eyeglasses, or metal fasteners for your clothing.
Remember: Metal objects are good electrical conductors.
- Wear safety glasses when you are: hammering, drilling, soldering, cutting wire, attaching springs, using solvents, or working in any other conditions that might be hazardous to your eyes.
- After service, reinstall all safety shields, guards, labels, and ground wires. Replace any safety device that is worn or defective.
- Reinstall all covers correctly before returning the machine to the customer.

Electrical safety



CAUTION:

Electrical current from power, telephone, and communication cables can be hazardous. To avoid personal injury or equipment damage, disconnect the attached power cords, telecommunication

systems, networks, and modems before you open the computer covers, unless instructed otherwise in the installation and configuration procedures.

Observe the following rules when working on electrical equipment.

Important: Use only approved tools and test equipment. Some hand tools have handles covered with a soft material that does not insulate you when working with live electrical currents. Many customers have, near their equipment, rubber floor mats that contain small conductive fibers to decrease electrostatic discharges. Do not use this type of mat to protect yourself from electrical shock.

- Find the room emergency power-off (EPO) switch, disconnecting switch, or electrical outlet. If an electrical accident occurs, you can then operate the switch or unplug the power cord quickly.
- Do not work alone under hazardous conditions or near equipment that has hazardous voltages.
- Disconnect all power before:
 - Performing a mechanical inspection
 - Working near power supplies
 - Removing or installing Field Replaceable Units (FRUs)
- Before you start to work on the machine, unplug the power cord. If you cannot unplug it, ask the customer to power-off the wall box that supplies power to the machine and to lock the wall box in the off position.
- If you need to work on a machine that has exposed electrical circuits, observe the following precautions:
 - Ensure that another person, familiar with the power-off controls, is near you.
Remember: Another person must be there to switch off the power, if necessary.
 - Use only one hand when working with powered-on electrical equipment; keep the other hand in your pocket or behind your back.
Remember: There must be a complete circuit to cause electrical shock. By observing the above rule, you may prevent a current from passing through your body.
 - When using a tester, set the controls correctly and use the approved probe leads and accessories for that tester.
 - Stand on suitable rubber mats (obtained locally, if necessary) to insulate you from grounds such as metal floor strips and machine frames.

Observe the special safety precautions when you work with very high voltages; these instructions are in the safety sections of maintenance information. Use extreme care when measuring high voltages.

- Regularly inspect and maintain your electrical hand tools for safe operational condition.
- Do not use worn or broken tools and testers.
- *Never assume* that power has been disconnected from a circuit. First, *check* that it has been powered-off.
- Always look carefully for possible hazards in your work area. Examples of these hazards are moist floors, nongrounded power extension cables, power surges, and missing safety grounds.
- Do not touch live electrical circuits with the reflective surface of a plastic dental mirror. The surface is conductive; such touching can cause personal injury and machine damage.
- Do not service the following parts with the power on when they are removed from their normal operating places in a machine:
 - Power supply units
 - Pumps
 - Blowers and fans
 - Motor generatorsand similar units. (This practice ensures correct grounding of the units.)

- If an electrical accident occurs:

- Use caution; do not become a victim yourself.
- Switch off power.
- Send another person to get medical aid.

Safety inspection guide

The intent of this inspection guide is to assist you in identifying potentially unsafe conditions on these products. Each machine, as it was designed and built, had required safety items installed to protect users and service personnel from injury. This guide addresses only those items. However, good judgment should be used to identify potential safety hazards due to attachment of features or options not covered by this inspection guide.

If any unsafe conditions are present, you must determine how serious the apparent hazard could be and whether you can continue without first correcting the problem.

Consider these conditions and the safety hazards they present:

- Electrical hazards, especially primary power (primary voltage on the frame can cause serious or fatal electrical shock).
- Explosive hazards, such as a damaged CRT face or bulging capacitor
- Mechanical hazards, such as loose or missing hardware

The guide consists of a series of steps presented in a checklist. Begin the checks with the power off, and the power cord disconnected.

Checklist:

1. Check exterior covers for damage (loose, broken, or sharp edges).
2. Power-off the computer. Disconnect the power cord.
3. Check the power cord for:
 - a. A third-wire ground connector in good condition. Use a meter to measure third-wire ground continuity for 0.1 ohm or less between the external ground pin and frame ground.
 - b. The power cord should be the appropriate type as specified in the parts listings.
 - c. Insulation must not be frayed or worn.
4. Remove the cover.
5. Check for any obvious alterations. Use good judgment as to the safety of any alterations.
6. Check inside the unit for any obvious unsafe conditions, such as metal filings, contamination, water or other liquids, or signs of fire or smoke damage.
7. Check for worn, frayed, or pinched cables.
8. Check that the power-supply cover fasteners (screws or rivets) have not been removed or tampered with.

Handling electrostatic discharge-sensitive devices

Any computer part containing transistors or integrated circuits (ICs) should be considered sensitive to electrostatic discharge (ESD). ESD damage can occur when there is a difference in charge between objects. Protect against ESD damage by equalizing the charge so that the machine, the part, the work mat, and the person handling the part are all at the same charge.

Notes:

1. Use product-specific ESD procedures when they exceed the requirements noted here.
2. Make sure that the ESD protective devices you use have been certified (ISO 9000) as fully effective.

When handling ESD-sensitive parts:

- Keep the parts in protective packages until they are inserted into the product.
- Avoid contact with other people while handling the part.
- Wear a grounded wrist strap against your skin to eliminate static on your body.
- Prevent the part from touching your clothing. Most clothing is insulative and retains a charge even when you are wearing a wrist strap.
- Use the black side of a grounded work mat to provide a static-free work surface. The mat is especially useful when handling ESD-sensitive devices.
- Select a grounding system, such as those listed below, to provide protection that meets the specific service requirement.

Note: The use of a grounding system is desirable but not required to protect against ESD damage.

- Attach the ESD ground clip to any frame ground, ground braid, or green-wire ground.
- Use an ESD common ground or reference point when working on a double-insulated or battery-operated system. You can use coax or connector-outside shells on these systems.
- Use the round ground-prong of the ac plug on ac-operated computers.

Grounding requirements

Electrical grounding of the computer is required for operator safety and correct system function. Proper grounding of the electrical outlet can be verified by a certified electrician.

Safety notices (multi-lingual translations)

The caution and danger safety notices in this section are provided in the following languages:

- English
- Arabic
- Brazilian/Portuguese
- Chinese (simplified)
- Chinese (traditional)
- French
- German
- Hebrew
- Italian
- Korean
- Spanish



DANGER

Electrical current from power, telephone and communication cables is hazardous.

To avoid a shock hazard:

- Do not connect or disconnect any cables or perform installation, maintenance, or reconfiguration of this product during an electrical storm.
- Connect all power cords to a properly wired and grounded electrical outlet.
- Connect to properly wired outlets any equipment that will be attached to this product.
- When possible, use one hand only to connect or disconnect signal cables.
- Never turn on any equipment when there is evidence of fire, water, or structural damage.
- Disconnect the attached power cords, telecommunications systems, networks, and modems before you open the device covers, unless instructed otherwise in the installation and configuration procedures.
- Connect and disconnect cables as described in the following tables when installing, moving, or opening covers on this product or attached devices.

To Connect	To Disconnect
<ol style="list-style-type: none"> 1. Turn everything OFF. 2. First, attach all cables to devices. 3. Attach signal cables to connectors. 4. Attach power cords to outlet. 5. Turn device ON. 	<ol style="list-style-type: none"> 1. Turn everything OFF. 2. First, remove power cords from outlet. 3. Remove signal cables from connectors. 4. Remove all cables from devices.



CAUTION:

When replacing the lithium battery, use only Part Number 45C1566 or an equivalent type battery recommended by the manufacturer. If your system has a module containing a lithium battery, replace it only with the same module type made by the same manufacturer. The battery contains lithium and can explode if not properly used, handled, or disposed of. *Do not:*

- Throw or immerse into water
- Heat to more than 100°C (212°F)
- Repair or disassemble

Dispose of the battery as required by local ordinances or regulations.



CAUTION:

When laser products (such as CD-ROMs, DVD-ROM drives, fiber optic devices, or transmitters) are installed, note the following:

- Do not remove the covers. Removing the covers of the laser product could result in exposure to hazardous laser radiation. There are no serviceable parts inside the device.
- Use of controls or adjustments or performance of procedures other than those specified herein might result in hazardous radiation exposure.

 **DANGER**

Some laser products contain an embedded Class 3A or Class 3B laser diode. Note the following:

Laser radiation when open. Do not stare into the beam, do not view directly with optical instruments, and avoid direct exposure to the beam.



≥18 kg (37 lb)



≥32 kg (70.5 lb)



≥55 kg (121.2 lb)

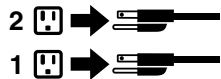
CAUTION:

Use safe practices when lifting.



CAUTION:

The power control button on the device and the power switch on the power supply do not turn off the electrical current supplied to the device. The device also might have more than one power cord. To remove all electrical current from the device, ensure that all power cords are disconnected from the power source.



التيار الكهربائي الموجود بمصدر الطاقة أو أجهزة التليفون أو أسلاك الاتصالات يشكل خطورة.

لتفادي مخاطر الصدمات الكهربائية:

لا تحاول توصيل أو فصل أي أسلاك أو القيام بعمليات تركيب أو صيانة أو إعادة توصيف لهذا المنتج أثناء وجود عاصفة كهربائية.

يجب توصيل كل أسلاك الكهرباء في مخارج كهرباء ذات توصيلات أسلاك وتوصيلات أرضية صحيحة
يجب توصيل أي جهاز سيتم الحاقه بهذا المنتج في مخارج كهرباء ذات توصيلات أسلاك صحيحة.

وإن أمكن يجب استخدام يد واحدة فقط في توصيل أو فصل أسلاك الإشارة.

لا تحاول تشغيل أي جهاز إذا كان هناك أثر لحرق أو مياه أو تلف بالمكونات

يجب فصل أسلاك الكهرباء وأنظمة الاتصالات وشبكات الاتصال وأجهزة المودم الملحقة قبل فتح أغطية الجهاز، مالم يتم طلب خلاف ذلك في التعليمات الخاصة بالتركيب والتوصيف.
قم بتوصيل وفصل الأسلاك كما هو موضح في الجدول التالي وذلك عند القيام بعمليات التركيب أو النقل أو فتح أغطية هذا المنتج أو الأجهزة الملحقة.

للفصل:

- قم بإيقاف كل شيء.
- أولاً، قم بفصل كل أسلاك الكهرباء من المخرج.
- قم بفصل أسلاك الإشارة من الموصلات.
- قم بفصل كل الأسلاك من الأجهزة.

للتوصيل:

- قم بإيقاف كل شيء.
- أولاً، قم بتوصيل كل الأسلاك بالأجهزة.
- قم بتوصيل أسلاك الإشارة في لموصلات.
- قم بتوصيل أسلاك الكهرباء في المخارج.
- قم بتشغيل الجهاز.



تنبيه:

عند استبدال البطارية الليثيوم، استخدم فقط رقم الجزء الخاص **Part Number 45C1566** أو نوع آخر يكون على نفس مستوى الكفاءة يحدده لك المصنع.

إذا كان النظام الخاص يستخدم معه بطارية ليثيوم قم باستبدالها بنفس النوع الذي تم صناعته من خلال نفس المصنع. تحتوي البطارية على مادة الليثيوم ويمكن أن تنفجر في حالة عدم استخدامها أو التعامل معها بطريقة صحيحة أو عند التخلص منها بطريقة خطأ.

لا تقم بـ:

- القاء البطارية أو غمرها في الماء
- تسخينها أعلى من ١٠٠ درجة مئوية و(٢١٢ ° فهرنهايت)
- بتصليحها أو فكها

تخلص من البطارية طبقاً للقانون أو النظام المحلي .



تنبيهه :
أثناء تركيب منتجات ليزر (مثل CD-ROMs أو وحدة تشغيل DVD أو أجهزة Fiber Optic أو وحدات الإرسال) يجب مراعاة الآتي:

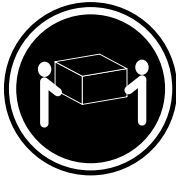
لا تنزع الأغطية. قد ينتج عن نزع أغطية منتج الليزر انفجار أشعة الليزر شديدة الخطورة.
لا يوجد أجزاء يمكن تغييرها داخل الجهاز. قد ينتج عن استخدام تحكيمات أو تعديلات أو عمل أي تصرفات أخرى تخالف ما هو محدد هنا إلى انفجار أشعة شديدة الخطورة.



خطر

تحتوي بعض منتجات الليزر على الفئة دايود ليزر مدمج من الفئة Class 3A أو Class 3B. يجب مراعاة الآتي .

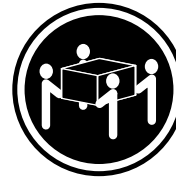
أشعة الليزر عند الفتح. لا تحقق إلى الإشعاع و لا تنظر إليه مباشرة بواسطة أي أجهزة مرئية وتجنب التعرض المباشر للإشعاع .



≥18 kg (37 lb)



≥32 kg (70.5 lb)

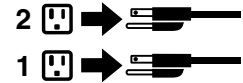


≥55 kg (121.2 lb)

تنبيهه :
يجب استخدام ممارسات أمانة عند الرفع



تنبيهه :
لا يقرم زر التحكم في التشغيل الموجود على الجهاز والمفتاح الكهربائي الموجود على لوحة التحكم بإيقاف التيار الكهربائي المار بالجهاز. قد يكون للجهاز أكثر من سلك كهربائي واحد. لإيقاف التيار الكهربائي المار بالجهاز، تأكد من فصل جميع أسلاك الكهرباء من مصدر الكهرباء .



PERIGO

A corrente elétrica proveniente de cabos de alimentação, de telefone e de comunicações é perigosa.

Para evitar risco de choque elétrico:

- Não conecte nem desconecte nenhum cabo ou execute instalação, manutenção ou reconfiguração deste produto durante uma tempestade com raios.
- Conecte todos os cabos de alimentação a tomadas elétricas corretamente instaladas e aterradas.
- Todo equipamento que for conectado a este produto deve ser conectado a tomadas corretamente instaladas.
- Quando possível, utilize apenas uma das mãos para conectar ou desconectar cabos de sinal.
- Nunca ligue nenhum equipamento quando houver evidência de fogo, água ou danos estruturais.
- Antes de abrir tampas de dispositivos, desconecte cabos de alimentação, sistemas de telecomunicação, redes e modems conectados, a menos que especificado de maneira diferente nos procedimentos de instalação e configuração.
- Conecte e desconecte os cabos conforme descrito na tabela apresentada a seguir ao instalar, mover ou abrir tampas deste produto ou de dispositivos conectados.

Para Conectar:	Para Desconectar:
<ol style="list-style-type: none">1. DESLIGUE Tudo.2. Primeiramente, conecte todos os cabos aos dispositivos.3. Conecte os cabos de sinal aos conectores.4. Conecte os cabos de alimentação às tomadas.5. LIGUE os dispositivos.	<ol style="list-style-type: none">1. DESLIGUE Tudo.2. Primeiramente, remova os cabos de alimentação das tomadas.3. Remova os cabos de sinal dos conectores.4. Remova todos os cabos dos dispositivos.



CUIDADO:

Ao substituir a bateria de lítio, utilize apenas uma bateria com Número de Peça 45C1566 ou um tipo de bateria equivalente recomendado pelo Se o seu sistema possui um módulo com uma bateria de lítio, substitua-o apenas por um módulo do mesmo tipo e do mesmo fabricante. A bateria contém lítio e pode explodir se não for utilizada, manuseada ou descartada de maneira correta.

Não:

- Jogue ou coloque na água
- Aqueça a mais de 100°C (212°F)
- Conserte nem desmonte

Descarte a bateria conforme requerido pelas leis ou regulamentos locais.



PRECAUCIÓN:

Quando produtos a laser (como unidades de CD-ROMs, unidades de DVD-ROM, dispositivos de fibra ótica ou transmissores) estiverem instalados, observe o seguinte:

- Não remova as tampas. A remoção das tampas de um produto a laser pode resultar em exposição prejudicial à radiação de laser. Não existem peças que podem ser consertadas no interior do dispositivo.

- A utilização de controles ou ajustes ou a execução de procedimentos diferentes dos especificados aqui pode resultar em exposição prejudicial à radiação.

PERIGO

Alguns produtos a laser contêm diodo de laser integrado da Classe 3A ou da Classe 3B. Observe o seguinte:

Radiação a laser quando aberto. Não olhe diretamente para o feixe a olho nu ou com instrumentos ópticos e evite exposição direta ao feixe.



≥18 kg (37 lb)



≥32 kg (70.5 lb)



≥55 kg (121.2 lb)

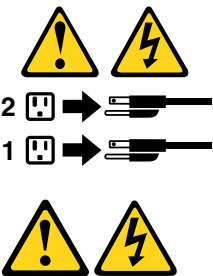
CUIDADO:

Utilize procedimentos de segurança para levantar equipamentos.



CUIDADO:

O botão de controle de alimentação do dispositivo e o botão para ligar/desligar da fonte de alimentação não desligam a corrente elétrica fornecida ao dispositivo. O dispositivo também pode ter mais de um cabo de alimentação. Para remover toda a corrente elétrica do dispositivo, assegure que todos os cabos de alimentação estejam desconectados da fonte de alimentação.



危险

电源、电话和通信电缆中的电流是危险的。

为避免电击危险：

- 请勿在雷电期间连接或断开任何电缆的连接，或者对本产品进行安装、维护或重新配置。
- 将所有电源线连接到正确连线和妥善接地的电源插座。
- 将所有要连接到该产品的设备连接到正确连线的插座。
- 如果可能，请仅使用一只手来连接或断开信号电缆的连接。
- 切勿在有火、水、结构损坏迹象的情况下开启任何设备。
- 在打开设备外盖之前请断开已连接的电源线、远程通信系统、网络和调制解调器，除非在安装和配置过程中另有说明。
- 当安装、移动或打开该产品或连接设备的外盖时，请按照下表所述来连接或断开电缆的连接。

要连接	要断开连接
<ol style="list-style-type: none">1. 切断所有电源。2. 首先将所有电缆连接到设备。3. 将信号电缆连接到接口。4. 将电源线连接到插座。5. 开启设备。	<ol style="list-style-type: none">1. 切断所有电源。2. 首先从插座上拔出电源线。3. 从接口上拔出信号电缆。4. 从设备上拔出所有电缆。



警告：

更换锂电池时，请仅使用部件号为 45C1566 的电池或制造商推荐的同类电池。如果您的系统有包含锂电池的模块，请仅使用同一制造商生产的相同模块类型来替换该模块。该电池中含有锂，如果使用、操作或处理不当，可能会发生爆炸。

切勿：

- 投入或浸入水中
- 加热到 100°C (212°F) 以上
- 维修或拆卸

请按照当地法令或条例的要求处理电池。



警告：

安装激光产品（例如 CD-ROM、DVD-ROM 驱动器、光纤设备或发射设备）时，请注意以下声明：

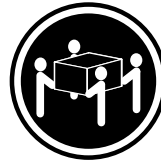
- 请勿卸下外盖。卸下激光产品的外盖可能导致遭受激光辐射的危险。该设备内没有可维修的部件。
- 如果不按照此处指定的过程进行控制、调整或操作，则有可能导致遭受辐射的危险。



危險

某些激光产品包含嵌入式 3A 类或 3B 类激光二极管。请注意以下声明：

打开后有激光辐射。请勿注视光束，请勿直接用光学仪器查看，并请避免直接暴露在光束中。

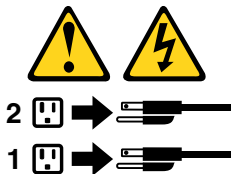


≥18 千克 (37 磅) ≥32 千克 (70.5 磅) ≥55 千克 (121.2 磅)

警告：
抬起时请采取安全措施。



警告：
设备上的电源控制按钮和电源上的电源开关不会切断供给该设备的电流。该设备还可能有多条电源线。要切断该设备的所有电流，请确保所有电源线都与电源断开连接。



危險

電源、電話及通訊纜線上的電流都具有危險性。

若要避免觸電危險：

- 請勿在雷雨期間，連接或拔除纜線、執行安裝、維護或重新配置本產品。
- 將所有電源線連接到正確配線及接地的電源插座。
- 任何與本產品連接的設備都必須連接到配線妥當的電源插座。
- 請盡可能用單手連接或拔除信號線。
- 發生火災、水災或結構損害時，絕對不要開啟任何設備。
- 除非在安裝及配置程序中另有指示，否則在開啟裝置機蓋之前，請拔掉連接的電源線、電信系統、網路及數據機。
- 安裝、移動或開啟本產品或附屬裝置的機蓋時，請遵循下列說明連接及拔掉纜線。

連線	切斷連線
<ol style="list-style-type: none"> 1. 關閉所有開關。 2. 首先，連接所有接線到裝置。 3. 連接信號線到接頭。 4. 連接電源線到插座。 5. 開啟裝置。 	<ol style="list-style-type: none"> 1. 關閉所有開關。 2. 首先，拔掉插座上的電源線。 3. 拔掉接頭上的信號線。 4. 拔掉裝置上所有接線。



警告：

更換鋰電池時，請僅使用產品編號 **45C1566** 或製造商所建議的同類型電池。
如果您的系統中含有鋰電池模組，請僅使用同一家製造商所生產的相同模組進行更換。
如果未以正確方式使用、處理或棄置含鋰的電池，會有爆炸的危險。
請勿：

- 沾溼或浸入水中
 - 置於 **100°C (212°F)** 以上的高溫環境
 - 修理或拆開
- 請按照各地區有關廢棄電池的法令和規定處理舊電池。



警告：

- 請勿移除機蓋。移除雷射產品的機蓋，可能會導致暴露在危險的雷射輻射中。裝置內部並無可自行維修的零件。
- 利用或執行非本文中指定的控制、調整及執行程序，可能會導致危險的輻射外洩。



危險

部分雷射產品含有內嵌式 **Class 3A** 或 **Class 3B** 雷射二極體。請注意下列事項：
在開啟光碟機時，會發生雷射輻射。請勿直視光束或用光學儀器直接檢視，並避免直接暴露在光束中。



≥ 18 公斤 (37 磅)



≥ 32 公斤 (70.5 磅)



≥ 55 公斤 (121.2 磅)

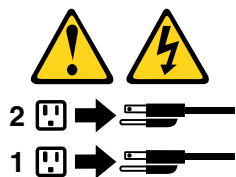
警告：

搬運時請注意安全。



警告：

裝置上的電源控制按鈕及電源供應器上的電源開關，無法關閉裝置所產生的電流。
該裝置可能有多條電源線。若要除去裝置流出的所有電流，請確認已切斷所有電源線的電源。



DANGER

Le courant électrique provenant de l'alimentation, du téléphone et des câbles de transmission peut présenter un danger.

Pour éviter tout risque de choc électrique :

- Ne manipulez aucun câble et n'effectuez aucune opération d'installation, d'entretien ou de reconfiguration de ce produit au cours d'un orage.
- Branchez tous les cordons d'alimentation sur un socle de prise de courant correctement câblé et mis à la terre.
- Branchez sur des socles de prise de courant correctement câblés tout équipement connecté à ce produit.
- Lorsque cela est possible, n'utilisez qu'une seule main pour connecter ou déconnecter les câbles d'interface.
- Ne mettez jamais un équipement sous tension en cas d'incendie ou d'inondation, ou en présence de dommages matériels.
- Avant de retirer les carters de l'unité, mettez celle-ci hors tension et déconnectez ses cordons d'alimentation, ainsi que les câbles qui la relient aux réseaux, aux systèmes de télécommunication et aux modems (sauf instruction contraire mentionnée dans les procédures d'installation et de configuration).
- Lorsque vous installez, que vous déplacez, ou que vous manipulez le présent produit ou des périphériques qui lui sont raccordés, reportez-vous aux instructions ci-dessous pour connecter et déconnecter les différents cordons.

Connexion	Déconnexion
<ol style="list-style-type: none">1. Mettez les unités HORS TENSION.2. Commencez par brancher tous les cordons sur les unités.3. Branchez les câbles d'interface sur des connecteurs.4. Branchez les cordons d'alimentation sur des prises.5. Mettez les unités SOUS TENSION.	<ol style="list-style-type: none">1. Mettez les unités HORS TENSION.2. Débranchez les cordons d'alimentation des prises.3. Débranchez les câbles d'interface des connecteurs.4. Débranchez tous les câbles des unités.



ATTENTION:

Remplacer la pile au lithium usagée par une pile de référence identique exclusivement, (référence 45C1566), ou suivre les instructions du fabricant qui en définit les équivalences. Si votre système est doté d'un module contenant une pile au lithium, vous devez le remplacer uniquement par un module identique, produit par le même fabricant. La pile contient du lithium et peut exploser en cas de mauvaise utilisation, de mauvaise manipulation ou de mise au rebut inappropriée.

Ne pas :

- la jeter à l'eau,
- l'exposer à des températures supérieures à 100°C,
- chercher à la réparer ou à la démonter.

Ne pas mettre la pile à la poubelle. Pour la mise au rebut, se reporter à la réglementation en vigueur.



ATTENTION:

Si des produits à laser (tels que des unités de CD-ROM, de DVD-ROM, des unités à fibres optiques, ou des émetteurs) sont installés, prenez connaissance des informations suivantes :

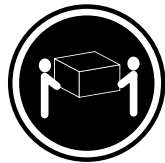
- Ne retirez pas le carter. En ouvrant l'unité de CD-ROM ou de DVD-ROM, vous vous exposez au rayonnement dangereux du laser. Aucune pièce de l'unité n'est réparable.
- Pour éviter tout risque d'exposition au rayon laser, respectez les consignes de réglage et d'utilisation des commandes, ainsi que les procédures décrites dans le présent manuel.



DANGER

Certains produits à laser contiennent une diode à laser intégrée de classe 3A ou 3B. Prenez connaissance des informations suivantes:

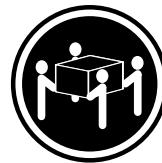
Rayonnement laser lorsque le carter est ouvert. Evitez toute exposition directe au rayon laser. Evitez de regarder fixement le faisceau ou de l'observer à l'aide d'instruments optiques.



≥18 kg (37 lb)



≥32 kg (70.5 lb)



≥55 kg (121.2 lb)

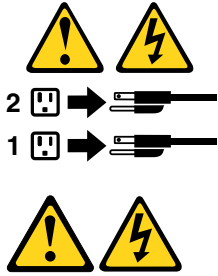
ATTENTION:

Soulevez la machine avec précaution.



ATTENTION:

L'interrupteur de contrôle d'alimentation de l'unité et l'interrupteur dubloc d'alimentation ne coupent pas le courant électrique alimentant l'unité. En outre, le système peut être équipé de plusieurs cordons d'alimentation. Pour mettre l'unité hors tension, vous devez déconnecter tous les cordons de la source d'alimentation.



VORSICHT

An Netz-, Telefon- und Datenleitungen können gefährliche Spannungen anliegen.

Aus Sicherheitsgründen:

- Bei Gewitter an diesem Gerät keine Kabel anschließen oder lösen. Ferner keine Installations-, Wartungs- oder Rekonfigurationsarbeiten durchführen.
- Gerät nur an eine Schutzkontaktsteckdose mit ordnungsgemäß geerdetem Schutzkontakt anschließen.
- Alle angeschlossenen Geräte ebenfalls an Schutzkontaktsteckdosen mit ordnungsgemäß geerdetem Schutzkontakt anschließen.
- Die Signalkabel nach Möglichkeit einhändig anschließen oder lösen, um einen Stromschlag durch Berühren von Oberflächen mit unterschiedlichem elektrischem Potenzial zu vermeiden.
- Geräte niemals einschalten, wenn Hinweise auf Feuer, Wasser oder Gebäudeschäden vorliegen.
- Die Verbindung zu den angeschlossenen Netzkabeln, Telekommunikationssystemen, Netzwerken und Modems ist vor dem Öffnen des Gehäuses zu unterbrechen, sofern in den Installations- und Konfigurationsprozeduren keine anders lautenden Anweisungen enthalten sind.
- Zum Installieren, Transportieren und Öffnen der Abdeckungen des Computers oder der angeschlossenen Einheiten die Kabel gemäß der folgenden Tabelle anschließen und abziehen.

Zum Anschließen der Kabel gehen Sie wie folgt vor	Zum Abziehen der Kabel gehen Sie wie folgt vor
<ol style="list-style-type: none"> 1. Schalten Sie alle Einheiten AUS. 2. Schließen Sie erst alle Kabel an die Einheiten an. 3. Schließen Sie die Signalkabel an die Buchsen an. 4. Schließen Sie die Netzkabel an die Steckdose an. 5. Schalten Sie die Einheit EIN. 	<ol style="list-style-type: none"> 1. Schalten Sie alle Einheiten AUS. 2. Ziehen Sie zuerst alle Netzkabel aus den Netzsteckdosen. 3. Ziehen Sie die Signalkabel aus den Buchsen. 4. Ziehen Sie alle Kabel von den Einheiten ab.



CAUTION:

Eine verbrauchte Lithiumbatterie nur durch eine Batterie mit der Teilenummer 45C1566 oder eine gleichwertige, vom Hersteller empfohlene Batterie ersetzen. Enthält das System ein Modul mit einer Lithiumbatterie, dieses nur durch ein Modul desselben Typs und von demselben Hersteller ersetzen. Die Batterie enthält Lithium und kann bei unsachgemäßer Verwendung, Handhabung oder Entsorgung explodieren.

Die Batterie nicht:

- mit Wasser in Berührung bringen.

- über 100 C erhitzen.
- reparieren oder zerlegen.

Die örtlichen Bestimmungen für die Entsorgung von Sondermüll beachten.



ACHTUNG:

Bei der Installation von Lasergeräten (wie CD-ROM-Laufwerken, DVD- aufwerken, Einheiten mit Lichtwellenleitertechnik oder Sendern) Folgendes beachten:

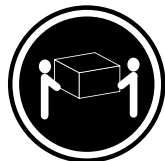
- Die Abdeckungen nicht entfernen. Durch Entfernen der Abdeckungen des Lasergeräts können gefährliche Laserstrahlungen freigesetzt werden. Das Gerät enthält keine zu wartenden Teile.
- Werden Steuerelemente, Einstellungen oder Durchführungen von Prozeduren anders als hier angegeben verwendet, kann gefährliche Laserstrahlung auftreten.



VORSICHT

Einige Lasergeräte enthalten eine Laserdiode der Klasse 3A oder 3B. Beachten Sie Folgendes:

Laserstrahlung bei geöffneter Verkleidung. Nicht in den Strahl blicken. Keine Lupen oder Spiegel verwenden. Strahlungsbereich meiden.



≥18 kg



≥32 kg



≥55 kg

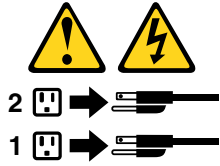
ACHTUNG:

Arbeitsschutzrichtlinien beim Anheben der Maschine beachten.



ACHTUNG:

Mit dem Netzschalter an der Einheit und am Netzteil wird die Stromversorgung für die Einheit nicht unterbrochen. Die Einheit kann auch mit mehreren Netzkabeln ausgestattet sein. Um die Stromversorgung für die Einheit vollständig zu unterbrechen, müssen alle zum Gerät führenden Netzkabel vom Netz getrennt werden.



סכנה

זרם חשמלי המועבר בכבלי חשמל, טלפון ותקשורת הוא מסוכן.

כדי להימנע מסכנת התחשמלות:

- אל תחברו או תנתקו כבלים, ואל תבצעו פעולת התקנה, תחזוקה או שינוי תצורה במוצר זה במהלך סופת ברקים.
- חברו את כל כבלי החשמל לשקע חשמל מחווט ומוארק כהלכה.
- חברו כל ציוד שיחובר למוצר זה לשקעי חשמל מחוטים כהלכה.
- במידת האפשר, השתמשו ביד אחת בלבד לחיבור או לניתוק של כבלי אותות.
- לעולם אל תפעילו ציוד כלשהו כאשר יש עדות לנזק מבני או לנזק כתוצאה מאש או ממים.
- נתקו את כבלי החשמל, מערכות התקשורת, התקני הרשת והמודמים המחוברים לפני פתיחת כיסויי ההתקן, אלא אם הליכי ההתקנה וקביעת התצורה מורים אחרת.
- בעת התקנה, העברה או פתיחת כיסויים במוצר זה או בהתקנים המחוברים, חברו ונתקו את הכבלים כמתואר בטבלה שלהלן.

כדי לחבר	כדי לנתק
1. כבו הכל.	1. כבו הכל.
2. ראשית, חברו את כל הכבלים להתקנים.	2. ראשית, נתקו את כבלי החשמל מהשקעים.
3. חברו את כבלי האותות למחברים.	3. נתקו את כבלי האותות מהמחברים.
4. חברו את כבלי החשמל לשקעים.	4. הסירו את כל הכבלים מההתקנים.
5. הפעילו את ההתקן.	



זהירות:

בעת החלפת סוללת סוללת הליתיום, השתמשו רק בסוללה בעלת מק"ט 45C1566 או בסוג תואם שהומלץ על ידי היצרן. אם המערכת כוללת מודול המכיל סוללת ליתיום, החליפו אותו רק במודול מאותו סוג ומתוצרת אותו יצרן. הסוללה מכילה ליתיום, ועלולה להתפוצץ אם לא משתמשים ומטפלים בה או משליכים אותה כיאור.

לעולם:

- אל תטבלו במים
- אל תחממו לטמפרטורה הגבוהה מ-100°C (212°F)
- אל תתקנו או תפרקו
- השליכו את הסוללה כנדרש לפי התקנות והחוקים המקומיים.



זהירות:

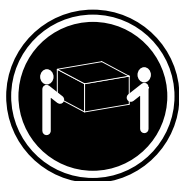
בעת התקנת מוצרי ליזר (כגון כונני תקליטורים ו-DVD, התקני סיב אופטי או משדרים), שימו לב לאזהרות הבאות:

- אל תסירו את הכיסויים. הסרת הכיסויים של מוצר הלייזר עלולה לגרום לחשיפה לקרינת לייזר מסוכנת. אין חלקים ברי טיפול בתוך ההתקן.
- שינויים, שימוש בבקרות או ביצוע הליכים אחרים מאלה המתוארים כאן, עלולים לגרום לחשיפה לקרינה מסוכנת.



סכנה

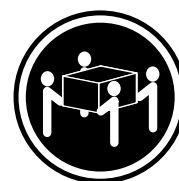
מוצרי לייזר מסוימים מכילים דיודת לייזר מסוג Class 3A או Class 3B. שימו לב לאזהרה הבאה:
כאשר הוא פתוח, המוצר פולט קרינת לייזר. אל תביטו ישירות בקרן, אל תביטו ישירות בעזרת ציוד אופטי, והימנעו מחשיפה לקרן.



18 ≤ ק"ג (37 ליב')



32 ≤ ק"ג (70.5 ליב')



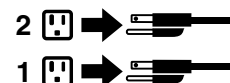
55 ≤ ק"ג (121.2 ליב')

זהירות:
השתמשו בהליכים הנאותים בעת הרמת הציוד.



זהירות:

לחצן ההפעלה של ההתקן ומתג ההפעלה של ספק החשמל אינם מפסיקים את זרם החשמל המסופק להתקן. בנוסף, ההתקן עשוי לכלול יותר מכבל חשמל אחד. כדי לסלק את כל הזרם החשמלי מההתקן, ודאו שכל כבלי החשמל מנותקים ממקור החשמל.





PERICOLO

La corrente elettrica proveniente dai cavi di alimentazione, del telefono e di comunicazione può essere pericolosa.

Per evitare il rischio di scosse elettriche:

- **Non collegare o scollegare qualsiasi cavo oppure effettuare l'installazione, la manutenzione o la riconfigurazione del prodotto durante un temporale.**
- **Collegare tutti i fili elettrici a una presa di alimentazione correttamente cablata e dotata di messa a terra.**
- **Collegare alle prese elettriche appropriate tutte le apparecchiature che verranno utilizzate per questo prodotto.**
- **Se possibile, utilizzare solo una mano per collegare o scollegare i cavi di segnale.**
- **Non accendere assolutamente apparecchiature in presenza di incendi, perdite d'acqua o danno strutturale.**
- **Scollegare i cavi di alimentazione, i sistemi di telecomunicazione, le reti e il modem prima di aprire i coperchi del dispositivo, salvo istruzioni contrarie relative alle procedure di installazione e configurazione.**
- **Collegare e scollegare i cavi come descritto nella seguente tabella quando vengono effettuate operazioni di installazione, spostamento o apertura dei coperchi di questo prodotto o delle unità collegate.**

Per collegarsi	Per scollegarsi
<ol style="list-style-type: none">1. SPEGNERE le apparecchiature.2. Innanzitutto, collegare tutti i cavi alle unità.3. Collegare i cavi di segnale ai connettori.4. Collegare i cavi di alimentazione alla presa.5. Accendere l'unità.	<ol style="list-style-type: none">1. SPEGNERE le apparecchiature.2. Innanzitutto, rimuovere i cavi di alimentazione dalla presa.3. Rimuovere i cavi di segnale dai connettori.4. Rimuovere tutti i cavi dalle unità.



ATTENZIONE:

Quando si sostituisce la batteria al litio, utilizzare solo il Numero parte 45C1566 o un tipo di batteria equivalente consigliato dal produttore. Se sul sistema è presente un modulo che contiene una batteria al litio, sostituirlo solo con un tipo di modulo dello stesso tipo della stessa casa di produzione. La batteria contiene litio e può esplodere se usata, maneggiata o smaltita in modo non corretto.

Non:

- **Gettare o immergere la batteria nell'acqua**
- **Riscaldarla ad una temperatura superiore ai 100 gradi C (212 gradi F)**
- **Smontarla, ricaricarla o tentare di ripararla**

Le batterie usate vanno smaltite in accordo alla normativa in vigore (DPR 915/82 e successive disposizioni e disposizioni locali).



ATTENZIONE:

Quando vengono installati prodotti laser (quali CD-ROM, unità DVD-ROM, unità a fibre ottiche o trasmettenti), tener presente quanto segue:

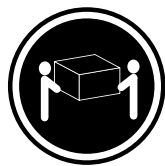
- Non rimuovere gli sportelli. L'apertura di un'unità laser può determinare l'esposizione a radiazioni laser pericolose. All'interno dell'unità non vi sono parti su cui effettuare l'assistenza tecnica.
- L'utilizzo di controlli, regolazioni o l'esecuzione di procedure non descritti nel presente manuale possono provocare l'esposizione a radiazioni pericolose.



PERICOLO

Alcune unità laser contengono un diodo laser di Classe 3A o Classe 3B. Tener presente quanto segue:

Aperto l'unità vengono emesse radiazioni laser. Non fissare il fascio, non guardarlo direttamente con strumenti ottici ed evitare l'esposizione al fascio.



≥18 kg



≥32 kg



≥55 kg

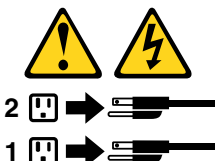
ATTENZIONE:

Prestare attenzione nel sollevare l'apparecchiatura.



ATTENZIONE:

Il pulsante di controllo dell'alimentazione presente sull'unità e l'interruttore dell'alimentatore non disattivano l'alimentazione corrente fornita all'unità. E' possibile che l'unità disponga di più cavi di alimentazione. Per disattivare l'alimentazione dall'unità, accertarsi che tutti i cavi di alimentazione siano scollegati dalla fonte di alimentazione.



2

1



위험

전원, 전화, 통신 케이블의 전류는 위험합니다.

감전의 위험을 피하려면 다음과 같이 하십시오.

- 번개가 치는 날에는 케이블을 연결 또는 분리하거나 본 제품을 설치, 보수, 재구성하지 마십시오.
- 모든 전원 코드는 올바르게 접지된 전기 콘센트에 연결하십시오.
- 본 제품에 연결될 장치는 올바르게 배선된 콘센트에 연결하십시오.
- 신호 케이블을 연결 또는 분리할 때 가능하면 한 손만을 사용하십시오.
- 불 또는 물로 인한 손상이나 구조적인 손상이 있을 경우 장치의 전원을 절대 켜지 마십시오.
- 설치 및 구성 과정에 별도의 지시 사항이 없는 경우, 장치의 덮개를 열기 전에 연결된 전원 코드, 원격 통신 시스템, 네트워크, 모뎀을 분리하십시오.
- 본 제품이나 연결된 장치를 설치, 이동하거나 덮개를 열 때 다음 표와 같은 순서로 케이블을 연결하거나 분리하십시오.

연결할 때:	분리할 때:
<ol style="list-style-type: none"> 1. 모든 장치의 전원을 끄십시오. 2. 먼저 모든 케이블을 장치에 연결하십시오. 3. 커넥터에 신호 케이블을 연결하십시오. 4. 콘센트에 전원 코드를 연결하십시오. 5. 장치의 전원을 켜십시오. 	<ol style="list-style-type: none"> 1. 모든 장치의 전원을 끄십시오. 2. 먼저 콘센트에서 전원 코드를 분리하십시오. 3. 커넥터에서 신호 케이블을 분리하십시오. 4. 장치에서 모든 케이블을 분리하십시오.



주의:

배터리를 교환할 때는 Part Number 45C1566 또는 제조업체에서 지정한 동일한 종류의 제품을 사용하십시오. 사용자의 시스템이 리튬 배터리를 포함하는 모듈일 경우, 동일한 제조업체에서 동일한 모듈 유형으로 생산된 제품으로 교체하십시오. 배터리에는 리튬이 함유되어 있어 잘못 사용, 취급 또는 폐기할 경우 폭발의 위험이 있습니다.

사고를 방지하려면 다음 사항을 준수하십시오.

- 배터리를 물 속에 던지거나 침수시키지 마십시오.
- 100°C (212°F) 이상 가열하지 마십시오.
- 수리하거나 분해하지 마십시오.

배터리를 폐기할 때는 법령 또는 회사의 안전 수칙에 따라 폐기하십시오.



주의:

CD-ROM, DVD-ROM 장치, 광섬유 장치 또는 송신 장치와 같은 레이저 제품을 설치할 때, 다음과 같은 취급 주의사항을 참고하십시오.

- 덮개를 열지 마십시오. 덮개를 열면 레이저 복사 에너지에 노출될 위험이 있습니다. 장치 내부에는 사용자가 조정하거나 수리할 수 있는 부품이 없습니다.
- 규정된 것 이외의 절차 수행, 제어 조정 등의 행위로 인해 해로운 레이저 복사에 노출될 수 있습니다.



위험

일부 장비에는 임베디드 클래스 3A 또는 클래스 3B 레이저 다이오드가 있습니다. 다음 주의사항에 유의하십시오.

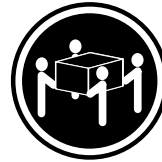
드라이브가 열리면 레이저 복사 에너지가 방출됩니다. 광선이 눈에 직접 쏘이지 않도록 하십시오. 나안 또는 광학 기구를 착용한 상태에서 광선을 직접 바라보지 않도록 하십시오.



≥ 18 kg (37 lbs)



≥ 32 kg (70.5 lbs)

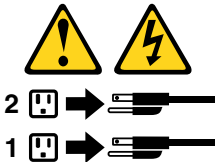


≥ 55 kg (121.2 lbs)

주의:
제품을 들어 올릴 때
안전 규제를 따르십시오.



주의:
장치의 전원 제어 버튼 및 전원 공급 장치의 전원 스위치를 사용하여 장치에 공급되는 전기를 차단하지 마십시오.
장치는 둘 이상의 코드를 가지고 있을 수 있습니다. 장치에서 모든 전원을 차단하려면 콘센트에서 코드가 모두 분리되어 있는지 확인하십시오.



PELIGRO

La corriente eléctrica procedente de cables de alimentación, teléfonos y cables de comunicación puede ser peligrosa.

Para evitar el riesgo de descarga eléctrica:

- No conecte ni desconecte los cables ni realice ninguna tarea de instalación, mantenimiento o reconfiguración de este producto durante una tormenta eléctrica.
- Conecte todos los cables de alimentación a tomas de corriente debidamente cableadas y conectadas a tierra.
- Cualquier equipo que se conecte a este producto también debe conectarse a tomas de corriente debidamente cableadas.
- Siempre que sea posible, utilice una sola mano para conectar o desconectar los cables de señal.

- No encienda nunca un equipo cuando hay señales de fuego, agua o daños estructurales.
- Desconecte los cables de alimentación, los sistemas de telecomunicaciones, las redes y los módems conectados antes de abrir las cubiertas de los dispositivos, a menos que se indique lo contrario en los procedimientos de instalación y configuración.
- Conecte y desconecte los cables, como se describe en la tabla siguiente, cuando instale, mueva o abra las cubiertas de este producto o de los dispositivos conectados.

Para conectar	Para desconectar
<ol style="list-style-type: none"> 1. APÁGUELO todo. 2. En primer lugar, conecte todos los cables a los dispositivos. 3. Conecte los cables de señal a los conectores. 4. Enchufe los cables de alimentación a las tomas de corriente. 5. Encienda el dispositivo. 	<ol style="list-style-type: none"> 1. APÁGUELO todo. 2. En primer lugar, desenchufe los cables de alimentación de las tomas de corriente. 3. Desconecte los cables de señal de los conectores. 4. Desconecte todos los cables de los dispositivos.



PRECAUCIÓN:

Quando sustituya una batería de litio, utilice solamente una batería número de pieza 45C1566 u otra de tipo equivalente recomendada por el fabricante. Si su sistema dispone de un módulo que contiene una batería de litio, reemplácelo sólo con el mismo tipo de módulo, del mismo fabricante. La batería contiene litio y puede explotar si no se utiliza, manipula o desecha correctamente.

No debe:

- Arrojarla al agua o sumergirla en ella
- Exponerla a temperaturas superiores a 100°C (212°F)
- Repararla o desmontarla

Deshágase de la batería según especifiquen las leyes o normas locales.



PRECAUCIÓN:

Quando haya productos láser (como unidades de CD-ROM, unidades de DVD, dispositivos de fibra óptica o transmisores) instalados, tenga en cuenta lo siguiente:

- No quite las cubiertas. Si quita las cubiertas del producto láser, podría quedar expuesto a radiación láser peligrosa. Dentro del dispositivo no existe ninguna pieza que requiera servicio técnico.
- Si usa controles o ajustes o realiza procedimientos que no sean los especificados aquí, podría exponerse a radiaciones peligrosas.



PELIGRO

Algunos productos láser tienen incorporado un diodo láser de clase 3A o clase 3B. Tenga en cuenta lo siguiente:

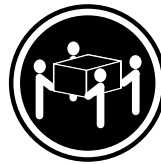
Cuando se abre, queda expuesto a radiación láser. No mire directamente al rayo láser, ni siquiera con instrumentos ópticos, y evite exponerse directamente al rayo láser.



≥18 kg



≥32 kg



≥55 kg

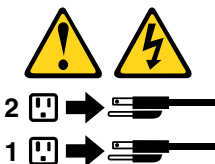
PRECAUCIÓN:

Adopte procedimientos seguros al levantar el equipo.



PRECAUCIÓN:

El botón de control de alimentación del dispositivo y el interruptor de alimentación de la fuente de alimentación no desconectan la corriente eléctrica suministrada al dispositivo. Además, el dispositivo podría tener más de un cable de alimentación. Para suprimir toda la corriente eléctrica del dispositivo, asegúrese de que todos los cables de alimentación estén desconectados de la toma de corriente.



Chapter 2. General information

This chapter provides general information that applies to all machine types supported by this publication.

Specifications (30AG and 30AH)

This section lists the physical specifications for your computer.

Dimensions

Width: 175 mm (6.89 inches)

Height: 376 mm (14.80 inches)

Depth: 426 mm (16.77 inches)

Weight

Maximum configuration as shipped: 13 kg (28.66 lb)

Environment

- Air temperature:

Operating: 10°C to 35°C (50°F to 95°F)

Storage in original shipping package: -40°C to 60°C (-40°F to 140°F)

Storage without package: -10°C to 60°C (14°F to 140°F)

- Humidity:

Operating: 20% to 80% (non-condensing)

Storage: 20% to 90% (non-condensing)

- Altitude:

Operating: -15.2 to 3048 m (-50 to 10 000 ft)

Storage: -15.2 to 10 668 m (-50 to 35 000 ft)

Electrical input

Input voltage:

- Low range:

Minimum: 100 V ac

Maximum: 127 V ac

Input frequency: 50/60 Hz

- High range:

Minimum: 200 V ac

Maximum: 240 V ac

Input frequency: 50/60 Hz

Specifications (30AJ and 30AK)

This section lists the physical specifications for your computer.

Dimensions

Width: 102 mm (4.02 inches)

Height: 338 mm (13.31 inches)

Depth: 394.5 mm (15.53 inches)

Weight

Maximum configuration as shipped: 7.9 kg (17.41 lb)

Environment

- Air temperature:

Operating: From 10°C (50°F) to 35°C (95°F)

Storage in original shipping package: From -40°C (-40°F) to 60°C (140°F)

Storage without package: From -10°C (14°F) to 60°C (140°F)

- Humidity:

Operating: 20%–80% (non-condensing)

Storage: 20%–90% (non-condensing)

- Altitude:

Operating: From -15.2 m (-50 ft) to 3048 m (10 000 ft)

Storage: From -15.2 m (-50 ft) to 10 668 m (35 000 ft)

Electrical input

Input voltage:

- Low range:

Minimum: 100 V ac

Maximum: 127 V ac

Input frequency: 50/60 Hz

- High range:

Minimum: 200 V ac

Maximum: 240 V ac

Input frequency: 50/60 Hz

Lenovo programs

Your computer comes with Lenovo programs to help you work more easily and securely. Depending on the Windows operating system preinstalled, the programs might vary.

Accessing Lenovo programs on the Windows 7 operating system

You can access Lenovo programs on the Windows 7 operating system through Windows Search or from Control Panel. The icon name displayed in the search result or Control Panel might be different from the program name. You can find the program by its program name or icon name as shown in the *Lenovo programs available on the Windows 7 operating system* table.

Note: If you do not find the program you need, open the Lenovo ThinkVantage® Tools program to find the dimmed icon for the program. Then double-click the icon to install the program.

To access Lenovo programs through Windows Search, do the following:

1. Click the **Start** button and then type the program name or the icon name into the search box.
2. Locate the program by the program name or the icon name and then click the program to launch it.

To access Lenovo programs from Control Panel, do the following:

Note: Some Lenovo programs might not be displayed in Control Panel. To find these programs, use Windows Search.

1. Click **Start** → **Control Panel**. Change the view of Control Panel from Category to Large icons or Small icons.
2. Locate the program by the icon name and then click the program to launch it.

The following table lists the programs available on the Windows 7 operating system.



Note: Depending on your computer model, some of the Lenovo programs might not be available.

Table 1. Lenovo programs available on the Windows 7 operating system

Program name	Icon name
Communications Utility	Lenovo - Web Conferencing
Fingerprint Manager Pro or ThinkVantage Fingerprint Software	Lenovo - Fingerprint Manager Pro or Lenovo - Fingerprint Reader
Lenovo Bluetooth Lock	Lenovo Bluetooth Lock
Lenovo Reach	Lenovo Reach
Lenovo SHAREit	Lenovo SHAREit
Lenovo Solution Center	Lenovo - System Health and Diagnostics
Lenovo ThinkVantage Tools	Lenovo Thinkvantage Tools
Password Manager	Lenovo - Password Vault
PC Cloud Manager	PC Cloud Manager
Recovery Media	Lenovo - Factory Recovery Disks or Create Recovery Media
Rescue and Recovery®	Lenovo - Enhanced Backup and Restore
System Update	Lenovo - Update and Drivers
View Management Utility	Lenovo - View Management Utility

Accessing Lenovo programs on the Windows 8.1 operating system

If your computer is preinstalled with the Windows 8.1 operating system, you can access Lenovo programs by doing the following:

Press the Windows key  to go to the Start screen. Click a Lenovo program to launch it. If you cannot find the program you need, click the arrow icon  in the bottom-left corner of the screen to go to the Apps screen. Find the desired program in the apps list or search for it in the search box in the top-right corner of the screen.

Depending on your computer model, your computer supports some of the following Lenovo programs:

- Fingerprint Manager Pro or ThinkVantage Fingerprint Software

- Lenovo Bluetooth Lock
- Lenovo Companion
- Lenovo Reach
- Lenovo Settings
- Lenovo SHAREit
- Lenovo Solution Center
- Lenovo Support
- Lenovo Tools
- Password Manager
- PC Cloud Manager
- System Update

Lenovo Support Web site

Technical support information is available on the Lenovo Support Web site at:
<http://www.lenovo.com/support>

This Web site is updated with the latest support information such as the following:

- Drivers and software
- Diagnostic solutions
- Product and service warranty
- Product and parts details
- User guides and manuals
- Knowledge base and frequently asked questions

Chapter 3. General checkout

Attention

The drives in the computer you are servicing might have been rearranged or the drive startup sequence changed. Be extremely careful during write operations such as copying, saving, or formatting. Data or programs can be overwritten if you select an incorrect drive.

General error messages appear if a problem or conflict is found by an application program, the operating system, or both. For an explanation of these messages, refer to the information supplied with that software package.

Before replacing any FRUs, ensure that the latest level of BIOS is installed on the system. A down-level BIOS might cause false errors and unnecessary replacement of the system board. For more information on how to determine and obtain the latest level BIOS, see “BIOS levels” on page 225.

Use the following procedure to help determine the cause of the problem:

1. Power-off the computer and all external devices.
2. Check all cables and power cords.
3. Set all display controls to the middle position.
4. Power-on all external devices.
5. Power-on the computer.
 - Look for displayed error codes
 - Listen for beep codes
 - Look for readable instructions or a main menu on the display.If you *did not* receive the correct response, proceed to step 6 on page 31.
If you *do* receive the correct response, proceed to step 7 on page 31.
6. Look at the following conditions and follow the instructions:
 - If you hear beep codes during POST, go to “Beep symptoms” on page 61.
 - If the computer displays a POST error, go to “POST error codes” on page 62.
 - If the computer hangs and no error is displayed, continue at step 7 on page 31.
7. Run the Diagnostic programs. See “Diagnostics” on page 51.
 - If you receive an error, replace the part that the diagnostic program calls out.
 - If the test stops and you cannot continue, replace the last device tested.

Problem determination tips

Due to the variety of hardware and software combinations that can be encountered, use the following information to assist you in problem determination. If possible, have this information available when requesting assistance from Service Support and Engineering functions.

- Machine type and model
- Processor or hard disk drive upgrades
- Failure symptom
 - Do diagnostics indicate a failure?
 - What, when, where, single, or multiple systems?
 - Is the failure repeatable?

- Has this configuration ever worked?
- If it has been working, what changes were made prior to it failing?
- Is this the original reported failure?
- Diagnostics version
 - Type and version level
- Hardware configuration
 - Print (print screen) configuration currently in use
 - BIOS level
- Operating system software
 - Type and version level

Notes: To eliminate confusion, identical systems are considered identical only if they:

1. Are the exact machine type and models
2. Have the same BIOS level
3. Have the same adapters/attachments in the same locations
4. Have the same address jumpers/terminators/cabling
5. Have the same software versions and levels
6. Have the same Diagnostic Diskettes (version)
7. Have the same configuration options set in the system
8. Have the same setup for the operating system control files

Comparing the configuration and software set-up between “working and non-working” systems will often lead to problem resolution.

Chapter 4. Troubleshooting and diagnostics

This chapter provides information about diagnosing and troubleshooting computer problems. If your computer problem is not described here, see “Lenovo Support Web site” on page 30 for additional troubleshooting resources.

Basic troubleshooting

The following table provides information to help you troubleshoot your computer problems.


Note: If you cannot correct the problem, have the computer serviced. For a list of service and support telephone numbers, refer to the *Safety, Warranty, and Setup Guide* that comes with your computer or go to the Lenovo Support Web site at <http://www.lenovo.com/support/phone>.

Symptom	Action
The computer does not start when you press the power switch.	Verify that: <ul style="list-style-type: none">• The power cord is correctly connected to the rear of the computer and to a working electrical outlet.• If your computer has a secondary power switch on the rear of the computer, ensure that it is switched on.• The power indicator on the front of the computer is on.• The computer voltage matches the voltage available at the electrical outlet for your country or region.
The monitor screen is blank.	Verify that: <ul style="list-style-type: none">• The monitor signal cable is correctly connected to the monitor and to the appropriate monitor connector on the computer.• The monitor power cord is correctly connected to the monitor and to a working electrical outlet.• The monitor is turned on and the brightness and contrast controls are set correctly.• The computer voltage matches the voltage available at the electrical outlet for your country or region.• If your computer has two monitor connectors, be sure to use the connector on the graphics card.
The keyboard does not work.	Verify that: <ul style="list-style-type: none">• The computer is turned on.• The keyboard is securely connected to a USB connector on the computer.• No keys are stuck.
The mouse does not work.	Verify that: <ul style="list-style-type: none">• The computer is turned on.• The mouse is securely connected to a USB connector on the computer.• The mouse is clean. Refer to “Optical mouse” on page 41 for further information.

Symptom	Action
The operating system does not start.	Verify that: <ul style="list-style-type: none"> The startup sequence includes the device where the operating system resides. Usually, the operating system is on the hard disk drive. For more information, see “Selecting a startup device” on page 55.
The computer beeps multiple times before the operating system starts.	Verify that no keys are stuck.

Accessing Control Panel on the Windows 8.1 operating system

On the Windows operating system, you can view and change computer settings through Control Panel. To access Control Panel on the Windows 8.1 operating system, do one of the following:

- From the desktop
 - Move the pointer to the top-right or bottom-right corner of the screen to display the charms.
 - Click **Settings**.
 - Click **Control Panel**.
- From the Start screen
 - Click the arrow icon  in the bottom-left corner of the screen to go to the Apps screen.
 - Scroll to the right side, and click **Control Panel** in the **Windows System** section.

Troubleshooting procedure

Use the following procedure as a starting point for diagnosing problems you are experiencing with your computer:

- Verify that the cables for all attached devices are connected correctly and securely.
- Verify that all attached devices that require ac power are connected to properly grounded, functioning electrical outlets.
- Verify that all attached devices are enabled in the BIOS settings of your computer. For more information about accessing and changing the BIOS settings, refer to your “Using the Setup Utility program” on page 53.
- Go to the “Troubleshooting” on page 35 and follow the instructions for the type of problem you are experiencing. If the Troubleshooting information does not help you resolve a problem, continue with the next step.
- Try using a previously captured configuration to see if a recent change to hardware or software settings has caused a problem. Before restoring a previous configuration, capture your current configuration in case the older configuration settings do not solve the problem or have adverse affects. To restore a captured configuration, do the following:
 - For Windows 7: Click **Start → Control Panel → System and Security → System → System Protection → System Restore**.
 - For Windows 8 or Windows 8.1: Open Control Panel, and then click **System and Security → System → System Protection → System Restore**.

If this does not correct the problem, continue with the next step.

- Run the diagnostic program. See “Lenovo Solution Center” on page 51 for more information.
 - If the diagnostic program detects a hardware failure, contact the Lenovo Customer Support Center. See “Lenovo Support Web site” on page 30 for more information.

- If you are unable to run the diagnostic program, contact the Lenovo Customer Support Center. See “Lenovo Support Web site” on page 30 for more information.
 - If the diagnostic program does not detect a hardware failure, continue with the next step.
7. Use an antivirus program to see if your computer has been infected by a virus. If the program detects a virus, remove the virus.
 8. If none of these actions solve the problem, seek technical assistance. See “Lenovo Support Web site” on page 30 for more information.

Troubleshooting

Use the troubleshooting information to find solutions to problems that have definite symptoms.

If the symptom your computer is experiencing occurred immediately after you installed a new hardware option or new software, do the following before referring to the troubleshooting information:

1. Remove the new hardware option or software. If you must remove the computer cover to remove a hardware option, ensure that you review and follow the electrical safety information provided with your computer. For your safety, do not operate the computer with the cover removed.
2. Run the diagnostic program to ensure that your computer is operating correctly.
3. Reinstall the new hardware option or software following the manufacturer's instructions.

Select the problem your computer is experiencing from the following list:

- “Audio problems” on page 35
- “CD problems” on page 37
- “DVD problems” on page 38
- “Intermittent problems” on page 39
- “Keyboard, mouse, or pointing device problems” on page 40
- “Monitor problems” on page 42
- “Networking problems” on page 44
- “Option problems” on page 46
- “Performance and lockup problems” on page 46
- “Printer problems” on page 48
- “Serial connector problems” on page 49
- “Software problems” on page 49
- “USB problems” on page 51

Audio problems

Select your symptom from the following list:

- “No audio in Windows” on page 35
- “An audio disc or AutoPlay-enabled disc does not automatically play when it is inserted into a drive” on page 36
- “Sound comes from one external speaker only” on page 36
- “No audio in DOS applications or games” on page 36

No audio in Windows

Symptom: No audio in Windows

Actions:

- If you are using powered external speakers that have an On/Off control, verify that the On/Off control is set to the **On** position and the speaker power cable is connected to a properly grounded, functional ac electrical outlet.
- If your external speakers have a volume control, verify that the volume control is not set too low.
- Click the speaker icon in the Windows desktop notification area. A volume-control window opens. Press **Mixer** to open the Volume Mixer window. Verify that the speaker mute buttons are not pressed and the volume settings are not set too low.
- Some models have a front audio panel you can use to adjust volume. If you have a front audio panel, verify that the volume is not set too low.
- Verify that your external speakers (and headphones, if used) are connected to the correct audio connector on the computer. Most speaker cables are color-coded to match the connector.

Note: When external-speaker or headphone cables are attached to the audio connector, the internal speaker, if present, is disabled. In most cases, if an audio adapter is installed in one of the expansion slots, the audio function built into the system board is disabled; use the audio jacks on the adapter.

- Ensure that the program you are running is designed for use in the Microsoft Windows operating system. If the program is designed to run in DOS, the program does not use the Windows sound feature and must be configured to use SoundBlaster Pro or SoundBlaster emulation.
- Verify that the audio device drivers are correctly installed. See Microsoft Windows help system for more information.

If these actions do not correct the problem, run the Lenovo Solution Center program. If you need technical assistance, see “Lenovo Support Web site” on page 30.

An audio disc or AutoPlay-enabled disc does not automatically play when it is inserted into a drive

Symptom: An audio disc or AutoPlay-enabled disc does not automatically play when it is inserted into a drive

Action: See “CD problems” on page 37.

Sound comes from one external speaker only

Symptom: Sound comes from one external speaker only.

Actions:

- Ensure that the speaker cable is inserted completely into the connector on the computer.
- Ensure that the cable that attaches the left speaker to the right speaker is securely connected.
- Right-click the speaker icon in the Windows desktop notification area, and then click **Playback devices**. Click the **Playback** tab, select Speakers, and then click **Properties**. Click **Balance** on the **Levels** tab, and verify that the Balance setting is set correctly.

If these actions do not correct the problem, you might have a failing speaker. Have the speaker serviced. If you need technical assistance, see “Lenovo Support Web site” on page 30.

No audio in DOS applications or games

Symptom: No audio in DOS applications or games

Actions:

- Ensure that the DOS application or game is configured to use SoundBlaster Pro or SoundBlaster emulation. Refer to the documentation that comes with the application or game for instructions on setting sound-card settings.
- If these actions do not correct the problem, run the Lenovo Solution Center program. If you need technical assistance, see “Lenovo Support Web site” on page 30.

CD problems

Select your symptom from the following list:

- “An audio disc or AutoPlay-enabled disc does not automatically play when it is inserted into a CD drive” on page 37
- “A CD or DVD does not work” on page 37
- “Unable to use a startable (bootable) recovery medium, such as the Product Recovery CD, to start your computer” on page 37

An audio disc or AutoPlay-enabled disc does not automatically play when it is inserted into a CD drive

Symptom: An audio disc or AutoPlay-enabled disc does not automatically play when it is inserted into a CD drive.

Actions:

- If you have multiple CD or DVD drives installed (or a combination of CD and DVD drives), try inserting the disc into the other drive. In some cases, only one of the drives is connected to the audio subsystem.
- If you are using the Windows 7 operating system, follow the action for “A CD or DVD does not work” on page 37.

If this does not correct the problem, follow the action for “A CD or DVD does not work” on page 37.

A CD or DVD does not work

Symptom: A CD or DVD does not work.

Actions:

- Verify that the disc is inserted correctly, with its label up.
- Ensure that the disc you are using is clean. To remove dust or fingerprints, wipe the disc clean with a soft cloth from the center to the outside. Wiping a disc in a circular motion might cause loss of data.
- Verify that the disc you are using is not scratched or damaged. Try inserting another disc that you know is good. If you cannot read from a known-good disc, you might have a problem with your CD or DVD drive or the cabling to your CD or DVD drive. Ensure that the power cable and signal cable are securely connected to the drive.

Unable to use a startable (bootable) recovery medium, such as the Product Recovery CD, to start your computer

Symptom: Unable to use a startable (bootable) recovery medium, such as the Product Recovery CD, to start your computer.

Action: Ensure that the CD or DVD drive is in the startup sequence before the hard disk drive. Refer to your “Selecting or changing the startup device sequence” on page 56 for information on viewing and changing the startup sequence. Note that on some models the startup sequence is permanently set and cannot be changed.

If these actions do not correct the problem, run the Lenovo Solution Center program. If you need technical assistance, see “Lenovo Support Web site” on page 30.

DVD problems

Select your symptom from the following list:

- “Black screen instead of DVD video” on page 38
- “DVD movie will not play” on page 38
- “No audio or intermittent audio while playing DVD movie” on page 38
- “Playback is very slow or choppy” on page 38
- “Invalid disc or no disc found message” on page 39

Black screen instead of DVD video

Symptom: Black screen instead of DVD video

Actions:

- Restart the DVD player program.
- Close any open files, turn off the computer, and then restart the computer.
- Try a lower screen resolution or color depth.

If these actions do not correct the problem, run the Lenovo Solution Center program. If you need technical assistance, see “Lenovo Support Web site” on page 30.

DVD movie will not play

Symptom: DVD movie will not play.

Actions:

- Ensure that the disc surface is clean and not scratched.
- Check the disc or package for regional coding. You might need to purchase a disc with coding for the region where you are using your computer.

If these actions do not correct the problem, run the Lenovo Solution Center program. If you need technical assistance, see “Lenovo Support Web site” on page 30.

No audio or intermittent audio while playing DVD movie

Symptom: No audio or intermittent audio while playing DVD movie.

Actions:

- Check the volume control settings on your computer and on your speakers.
- Ensure that the disc surface is clean and not scratched.
- Check all cable connections to and from the speakers.
- Use the DVD menu for the video to select a different audio track.

If these actions do not correct the problem, run the Lenovo Solution Center program. If you need technical assistance, see “Lenovo Support Web site” on page 30.

Playback is very slow or choppy

Symptom: Playback is very slow or choppy.

Actions:

- Disable any background programs, such as AntiVirus or Desktop Themes.
- Ensure that video resolution is set to less than 1152 x 864.

If these actions do not correct the problem, run the Lenovo Solution Center program. If you need technical assistance, see “Lenovo Support Web site” on page 30.

Invalid disc or no disc found message

Symptom: Invalid disc or no disc found message

Actions:

- Ensure that a DVD disc is in the drive with the shiny side of the disc facing down.
- Ensure that video resolution is set to less than 1152 x 864.
- On computers that have a CD-ROM or CD-RW drive in addition to a DVD-ROM drive, ensure that the DVD disc is in the drive labeled “DVD”.

If these actions do not correct the problem, run the Lenovo Solution Center program. If you need technical assistance, see “Lenovo Support Web site” on page 30.

Intermittent problems

Symptom: A problem occurs only occasionally and is difficult to repeat.

Actions:

- Verify that all cables and cords are securely connected to the computer and attached devices.
- Verify that when the computer is on, the fan grill is not blocked (there is air flow around the grill), and the fans are working. If airflow is blocked or the fans are not working, the computer might overheat.
- If SCSI devices are installed, verify that the last external device in each SCSI chain is terminated correctly. (See your SCSI documentation.)

If these actions do not correct the problem, run the Lenovo Solution Center program. If you need technical assistance, see “Lenovo Support Web site” on page 30.

Hard disk drive problems

Select your symptom from the following list:

- “Some or all hard disk drives missing from the Setup Utility program” on page 39
- ““No Operating System Found” message or the system not starting from the correct hard disk drive” on page 40

Some or all hard disk drives missing from the Setup Utility program

Symptom: Some or all hard disk drives missing from the Setup Utility program

Actions:

- Ensure that all hard disk drive signal cables and power cables are connected correctly.
- Ensure that your computer is configured correctly to support the hard disk drives.
 - If your computer is installed with five SATA hard disk drives, ensure that the SATA hard disk drive enablement module (one to five hard disk drives) is installed.

- If your computer is installed with SAS hard disk drives, ensure that the SAS hard disk drive enablement module (one to five hard disk drives) or the LSI MegaRAID SAS adapter is installed.

If these actions do not correct the problem, run the diagnostic program Lenovo Solution Center. See “Lenovo Solution Center” on page 51. If you need technical assistance, see “Lenovo Support Web site” on page 30.

"No Operating System Found" message or the system not starting from the correct hard disk drive

Symptom: "No Operating System Found" message or the system not starting from the correct hard disk drive

Actions:

- Ensure that all hard disk drive signal cables and power cables are connected correctly. Refer to Chapter 8 “Replacing FRUs” on page 83.
- Ensure that the hard disk drive your computer starts from is listed as the first startup device in the Setup Utility program. Refer to “Selecting a startup device” on page 55.

Note: In rare cases, the hard disk drive with the operating system might get corrupted or damaged. In such cases, you might need to replace the hard disk drive. Refer to Chapter 8 “Replacing FRUs” on page 83.

If these actions do not correct the problem, run the diagnostic program Lenovo Solution Center. See “Lenovo Solution Center” on page 51.

Keyboard, mouse, or pointing device problems

Select your symptom from the following list:

- “All or some keys on the keyboard do not work” on page 40
- “The mouse or pointing device does not work” on page 41
- “The pointer on the screen does not move smoothly with the mouse” on page 41
- “The fingerprint reader does not work” on page 42
- “The wireless keyboard does not work” on page 42

All or some keys on the keyboard do not work

Symptom: All or some keys on the keyboard do not work.

Actions:

- Verify that the keyboard cable is securely connected to the correct connector on the computer.
- If you are using an Enhanced Performance USB keyboard and one or more of the Rapid Access buttons are the only keys that are not working, these buttons might have been disabled or have not been assigned to a function. Use the help system in the Enhanced Performance Customization Keyboard program to help diagnose problems with the Rapid Access buttons.

To open the Enhanced Performance Customization Keyboard program, do one of the following:

- On the Windows 7 operating system, do the following:
 1. Click **Start → Control Panel**.
 2. Click **Hardware and Sound**.
 3. Click **Devices and Printers**.
 4. Double-click **USB Enhanced Performance Keyboard**. The USB Enhanced Performance Keyboard Customization program starts.
- On the Windows 8 or Windows 8.1 operating system, do the following:

1. Open Control Panel.
2. Click **Hardware and Sound**.
3. Click **Devices and Printers**.
4. Double-click **USB Enhanced Performance Keyboard**. The USB Enhanced Performance Keyboard Customization program starts.

If these actions do not correct the problem, have the computer and keyboard serviced. See “Lenovo Support Web site” on page 30 for details.

The mouse or pointing device does not work

Symptom: The mouse or pointing device does not work.

Actions:

- Verify that the mouse or pointing-device cable is securely attached to the correct connector on the computer. Depending on the type of mouse you have, the mouse cable will connect to either the mouse, serial, or USB connector. Some keyboards have integrated USB connectors that can be used for a USB mouse or pointing device.
- Verify that the device drivers for the mouse or pointing device are installed correctly.
- If you are using a USB keyboard or mouse, verify that the USB connectors are enabled in the BIOS settings. See “Enabling or disabling a device” on page 55.

If these actions do not correct the problem, run the Lenovo Solution Center program. If you need technical assistance, see “Lenovo Support Web site” on page 30.

Optical mouse

This section provides instructions on how to clean an optical mouse.

An optical mouse uses a light-emitting diode (LED) and an optical sensor to navigate the pointer. If the pointer on the screen does not move smoothly with the optical mouse, you might need to clean the mouse.

To clean an optical mouse, do the following:

1. Turn off your computer.
2. Disconnect the mouse cable from the computer.
3. Turn the mouse upside down to check the lens.
 - a. If there is a smudge on the lens, gently clean the area with a plain cotton-tipped swab.
 - b. If there is debris in the lens, gently blow the debris away from the area.
4. Check the surface on which you are using the mouse. If you have a very intricate picture or pattern beneath the mouse, it may be difficult for the digital signal processor (DSP) to determine changes in the mouse position.
5. Reconnect the mouse cable to the computer.
6. Turn your computer back on.

The pointer on the screen does not move smoothly with the mouse

Symptom: The pointer on the screen does not move smoothly with the mouse.

Action: Erratic movement of the mouse pointer is generally caused by a buildup of dirt, oils, and other contaminants on the ball inside the mouse. Clean the mouse. See “Optical mouse” on page 41 for instructions.

The fingerprint reader does not work

Symptom: The fingerprint reader does not work.

Action: The following could cause the fingerprint reader not to operate properly:

- Not enrolling your fingerprint correctly.
- Scratching the surface of the reader with a hard, pointed object.
- Scraping the surface of the reader with your nail or anything hard.
- Using or touching the reader with a dirty finger.
- The surface of your finger is very different from when you enrolled your fingerprint.

The wireless keyboard does not work

Symptom: The wireless keyboard does not work.

Action: If the Transceiver Communications LED is on and the wireless Keyboard does not work, restart your computer. If restarting your computer does not solve the problem, verify that the following conditions are met:

- The batteries are properly installed.
- The batteries still retain their current.
- The wireless Keyboard is located less than ten meters away from the transceiver.
- The transceiver is fully installed.

Action: If the Transceiver Communications LED is not on, reconnect the transceiver and the keyboard.

Monitor problems

Note: Many monitors have status-indicator lights and built-in controls for adjusting brightness, contrast, width, height, and other picture adjustments. However, the controls vary from monitor type to monitor type. For information about the status lights and using the controls, refer to the documentation that comes with your monitor.

Select your symptom from the following list:

- “Wrong characters appear on the screen” on page 42
- “The monitor works when you turn on the computer, but goes blank after some period of computer inactivity” on page 42
- “The monitor works when you turn on the computer, but goes blank when you start some application programs” on page 43
- “The image appears to be flickering” on page 43
- “The image is discolored” on page 43

Wrong characters appear on the screen

Symptom: Wrong characters appear on the screen.

Action: Have the computer serviced. For details, see “Lenovo Support Web site” on page 30.

The monitor works when you turn on the computer, but goes blank after some period of computer inactivity

Symptom: The monitor works when you turn on the computer, but goes blank after some period of computer inactivity.

Action: The computer is probably set for energy savings with the power-management feature. If the power-management feature is enabled, disabling it or changing the settings might solve the problem.

If these actions do not correct the problem, run the Lenovo Solution Center program. If you need technical assistance, see “Lenovo Support Web site” on page 30.

The monitor works when you turn on the computer, but goes blank when you start some application programs

Symptom: The monitor works when you turn on the computer, but goes blank when you start some application programs.

Actions:

- Ensure that the monitor signal cable is securely connected to the monitor and the monitor connector on the computer. A loose cable can cause intermittent problems.
- Verify that the necessary device drivers for the application programs are installed. Refer to the documentation for the affected application program to see if device drivers are required.

If these actions do not correct the problem, run the Lenovo Solution Center program. If you need technical assistance, see “Lenovo Support Web site” on page 30.

The image appears to be flickering

Symptom: The image appears to be flickering.

Actions:

- The monitor might be operating in a low-refresh rate display mode. Set the monitor to the highest, noninterlaced refresh rate supported by your monitor and the video controller in your computer.
Attention: Using a resolution or refresh rate that is not supported by your monitor might damage it. Check the documentation that comes with your monitor to verify the supported refresh rates.
- The monitor might be affected by interference from nearby equipment. Magnetic fields around other devices, such as transformers, appliances, fluorescent lights, and other monitors might be causing the problem. Move fluorescent desk lighting or any equipment that produces magnetic fields farther away from the monitor. If this does not correct the problem, do the following:
 1. Turn off the monitor. (Moving a color monitor while it is turned on might cause screen discoloration.)
 2. Adjust the placement of the monitor and other devices so that they are at least 305 mm (12 inches) apart.
 3. Turn on the monitor.
- You can reset the refresh rate through your operating system Control Panel:
On the Windows 7 operating system, click **Start → Control Panel → Hardware and Sound → Adjust screen resolution → Advanced Settings**. Then click the **Monitor** tab and select a new refresh rate.
On the Windows 8 or Windows 8.1 operating system, open Control Panel and click **Hardware and Sound → Adjust screen resolution → Advanced Settings**. Then click the **Monitor** tab and select a new refresh rate.
- See your operating system documentation or help for further information on monitor settings.

If these actions do not correct the problem, your monitor might need service. See “Lenovo Support Web site” on page 30 for details.

The image is discolored

Symptom: The image is discolored.

Action: The monitor might be affected by interference from nearby equipment. Magnetic fields around other devices, such as transformers, appliances, fluorescent lights, and other monitors might be causing the problem. Move fluorescent desk lighting or any equipment that produces magnetic fields further away from the monitor. If this does not correct the problem, do the following:

1. Turn off the monitor. (Moving a color monitor while it is turned on might cause screen discoloration.)
2. Adjust the placement of the monitor and other devices so that they are at least 305 mm (12 inches) apart.
3. Turn on the monitor.

If these actions do not correct the problem, your monitor might need service. See “Lenovo Support Web site” on page 30 for details.

Networking problems

The following are the most common networking problems. Select your networking problem from the following list:

- “Ethernet problems” on page 44
- “A wireless LAN problem” on page 50
- “Bluetooth problem” on page 50

Ethernet problems

For Ethernet problems, select your symptom from the following list:

- “Your computer cannot connect to the network” on page 44
- “The adapter stops working for no apparent reason” on page 45
- “If your computer is a Gigabit Ethernet model and you use a speed of 1000 Mbps, the connection fails or errors occur” on page 45
- “If your computer is a Gigabit Ethernet model, it cannot connect to the network at 1000 Mbps. Instead, it connects at 100 Mbps” on page 45

Your computer cannot connect to the network

Symptom: Your computer cannot connect to the network.

Actions: Ensure that:

- The cable is installed properly.

The network cable must be securely connected to both the Ethernet connector of your computer and the RJ45 connector of the hub. The maximum allowable distance from the computer to hub is 100 meters. If the cable is connected and the distance is within acceptable limits but the problem persists, try a different cable.

- The cable is installed properly.
- You are using the correct device driver.

On the Windows 7 operating system, do the following:

1. Click **Start → Control Panel**.
2. Click **Hardware and Sound**.
3. Click **Device Manager**. If you are prompted for an administrator password or confirmation, type the password or provide confirmation.
4. If an exclamation mark is displayed next to an adapter name under **Network adapters**, you might not be using the correct driver or the driver is not enabled. To update the driver, right-click the highlighted adapter.

5. Click **Update Driver Software**, and then follow the instructions on the screen.

On the Windows 8 or Windows 8.1 operating system, do the following:

1. Open Control Panel.

2. Click **Hardware and Sound**.

3. Click **Device Manager**. If you are prompted for an administrator password or confirmation, type the password or provide confirmation.

4. If an exclamation mark is displayed next to an adapter name under **Network adapters**, you might not be using the correct driver or the driver is not enabled. To update the driver, right-click the highlighted adapter.

5. Click **Update Driver Software**, and then follow the instructions on the screen.

- The switch port and the adapter have the same duplex setting.

If you configured the adapter for full duplex, ensure that the switch port is also configured for full duplex. Setting the wrong duplex mode can degrade performance, cause data loss, or result in lost connections.

- You have installed all networking software that is necessary for your network environment.

Check with your LAN administrator for the necessary networking software.

The adapter stops working for no apparent reason

Symptom: The adapter stops working for no apparent reason.

Action: The network driver files may be corrupt or missing. Update the driver by referring to the “Solution” description for the procedure to ensure that the correct device driver is installed.

The Wake on LAN feature is not working

Symptom: The Wake on LAN (WOL) feature is not working.

Actions:

- Ensure that WOL is enabled in the BIOS Setup Utility program.
- If it is, check with your LAN administrator for the necessary settings.

If your computer is a Gigabit Ethernet model and you use a speed of 1000 Mbps, the connection fails or errors occur

Symptom: If your computer is a Gigabit Ethernet model and you use a speed of 1000 Mbps, the connection fails or errors occur.

Actions:

- Use Category 5 wiring and ensure that the network cable is securely connected.
- Connect to a 1000 BASE-T hub/switch (not 1000 BASE-X).

If your computer is a Gigabit Ethernet model, it cannot connect to the network at 1000 Mbps. Instead, it connects at 100 Mbps

Symptom: If your computer is a Gigabit Ethernet model, it cannot connect to the network at 1000 Mbps. Instead, it connects at 100 Mbps.

Actions:

- Try another cable.
- Ensure that the link partner is set to auto-negotiate.
- Ensure that the switch is 802.3ab-compliant (gigabit over copper).

Option problems

Use this information to diagnose problems with Lenovo hardware options that do not have their own troubleshooting information.

Select your symptom from the following list:

- “An option that was just installed does not work” on page 46
- “An option that previously worked does not work now” on page 46

An option that was just installed does not work

Symptom: An option that was just installed does not work.

Action: Verify that:

- The option is designed for your computer.
- You followed the installation instructions supplied with the option and the installation instructions provided with your computer, and all option files (such as device drivers, if required) are installed correctly.
- You have not loosened other installed options or cables.
- If the option is an adapter, you have provided enough hardware resources for the adapter to function correctly. See the documentation supplied with the adapter (as well as the documentation for any other installed adapters) to determine the resources required for each adapter.

If these actions do not correct the problem, run the Lenovo Solution Center program. If you need technical assistance, see “Lenovo Support Web site” on page 30.

An option that previously worked does not work now

Symptom: An option that previously worked does not work now.

Actions:

- Verify that all option hardware and cable connections are secure.
- If the option comes with its own test instructions, use those instructions to test the option.
- If the failing option is a SCSI option, verify that:
 - The cables for all external SCSI options are connected correctly.
 - The last option in each SCSI chain, or the end of the SCSI cable, is terminated correctly.
 - All external SCSI options are turned on. External SCSI options must be turned on before the computer is turned on. For more information, see your SCSI documentation.
- Verify that the option and any required device drivers are installed correctly.

If these actions do not correct the problem, run the Lenovo Solution Center program. If you need technical assistance, see “Lenovo Support Web site” on page 30.

Performance and lockup problems

Poor performance and lockup problems can be a result of any of the following:

- “Insufficient free hard disk drive space” on page 47
- “Excessive number of fragmented files” on page 47

Make a selection from the above list to find out more about the corrective actions you can take.

Insufficient free hard disk drive space

Symptom: Insufficient free hard disk drive space

The Windows operating system will slow down and might produce errors if the hard disk drive gets too full.

To check the amount of free space on the Windows 7 operating system, do the following:

1. Click **Start → Computer**.
2. Right-click your C drive entry and then click **Properties**. The amount of free disk space is displayed.

To check the amount of free space on the Windows 8 operating system, do the following:

1. Open File Explorer and click **Computer**.
2. Right-click your C drive entry and then click **Properties**. The amount of free disk space is displayed.

To check the amount of free space on the Windows 8.1 operating system, do the following:

1. Open File Explorer.
2. Right-click your C drive entry and then click **Properties**. The amount of free disk space is displayed.

To free up disk space, do any of the following:

- Method 1
 1. On the Windows 7 operating system, click **Start → Computer**. On the Windows 8 operating system, open File Explorer and click **Computer**. On the Windows 8.1 operating system, open File Explorer.
 2. Right-click your C drive entry and then click **Properties**.
 3. Click **Disk Cleanup**.
 4. A list of unnecessary file categories is displayed. Select each file category you want to delete, and then click **OK**.
- Method 2
 1. Open Control Panel.
 2. Click **Programs**.
 3. Click **Turn Windows features on or off**.
 4. A list of optional Windows components is displayed. Follow the instructions on the screen.
- Method 3
 1. On the Windows 7 operating system, click **Start → Computer**. On the Windows 8 operating system, open File Explorer and click **Computer**. On the Windows 8.1 operating system, open File Explorer.
 2. Right-click your C drive entry and then click **Properties**.
 3. Click **Disk Cleanup**.
 4. Click **Clean up system files**.
 5. Click the **More Options** tab.
 6. In the **Programs and Features** area, click the **Clean up** button.
 7. A list of installed programs is displayed. Select the program that you want to remove. Click **Uninstall/Change** or **Uninstall**.
- Clean out your Inbox, Sent Items, and Deleted Items folders from your e-mail application. The folder names and procedures vary depending on your e-mail application. If you need assistance, see the help system for your e-mail application.

Excessive number of fragmented files

Symptom: Excessive number of fragmented files

Action: Run the Windows Disk Defragmenter program.

Note: Depending on the size of the hard disk drive and amount of data currently stored on the hard disk drive, the disk-defragmentation process might take up to several hours to complete.

On the Windows 7 operating system, do the following:

1. Close any programs that are currently running and close any open windows.
2. Click **Start → Computer**.
3. Right-click your C drive entry and then click **Properties**.
4. Click the **Tools** tab.
5. Click **Defragment Now**, then click **Continue**.
6. Click **Defragment Now** again to start a disk-defragmentation process.

On the Windows 8 or Windows 8.1 operating system, do the following:

1. Close any programs that are currently running and close any open windows.
2. On Windows 8, open File Explorer and click **Computer**. On Windows 8.1, open File Explorer.
3. Right-click your C drive entry and then click **Properties**.
4. Click the **Tools** tab and then click **Optimize**.
5. Click **Optimize** in the Optimize Drives window that is displayed to start a disk-defragmentation process.

Insufficient memory

Symptom: Insufficient memory

In general, the more memory that is installed, the better the Windows operating system runs.

Action: Install additional memory. For information about purchasing memory, see “Lenovo Support Web site” on page 30. For step-by-step instructions on installing memory, see “Installing or replacing a memory module” on page 88.

If these actions do not correct the problem, run the diagnostic programs (see “Lenovo Solution Center” on page 51 for instructions). If you need technical assistance, see “Lenovo Support Web site” on page 30.

Printer problems

Symptom: The printer does not work.

Actions: Verify that:

1. The printer is turned on and is online.
2. Paper is loaded correctly.
3. The printer signal cable is securely connected to the correct parallel, serial, or USB connector on the computer.

Note: Non-IEEE-approved printer signal cables might cause unpredictable problems.

1. Any device drivers and other software that came with the printer are correctly installed.
2. You have assigned the printer port correctly in your operating system, application program, or BIOS settings. For more information about BIOS settings, see “Using the Setup Utility program” on page 53.

If the problem persists, run the tests described in the documentation that comes with your printer. If you cannot correct the problem, have the computer serviced. See “Lenovo Support Web site” on page 30.

Serial connector problems

Use this information to troubleshoot the serial connector and devices attached to the serial connector.

Symptom: Serial connector cannot be accessed.

Actions:

- Ensure that the serial cable is securely connected to the serial connector on the computer and to the serial device. If the serial device has its own power cord, ensure that it is attached to a properly grounded electrical outlet.
- If the serial device has its own On/Off switch, ensure that it is in the On position.
- If the serial device has an Online switch, ensure that it is in the Online position.
- If the serial device is a printer, ensure that paper is loaded correctly.
- Verify that any software supplied with the serial device is correctly installed. Refer to the documentation for the serial-device option.
- Ensure that the serial-connector adapter, if you added one, is properly installed and firmly seated.

If these actions do not correct the problem, run the Lenovo Solution Center program. If you need technical assistance, see “Lenovo Support Web site” on page 30.

Software problems

Select your symptom from the following list:

- “When using a sort feature, dates do not sort in the correct order” on page 49
- “Software does not work as expected” on page 49

When using a sort feature, dates do not sort in the correct order

Symptom: When using a sort feature, dates do not sort in the correct order.

Action: Some software developed before the year 2000 used only the last two digits of a year to sort dates, always assuming the first two digits were 19. Consequently, these programs sort dates out of order. Check with your software manufacturer to see if any updates are available. Many software manufacturers make updates available from the World Wide Web.

Software does not work as expected

Symptom: Software does not work as expected.

Actions:

- Most software programs have built-in help systems that provide instructions for most tasks. If you are having difficulty performing a specific task within a software program, refer to the help system for that program. Help systems are typically accessible from a menu or button in the program, and frequently from the F1 key.
- If you have difficulty with the Windows operating system or one of its components, refer to the Windows help system. It is accessible from the Windows **Start** menu.
- To determine if problems are caused by newly installed software, verify that:
 - Your computer has the minimum memory requirements needed to use the software. See the information supplied with the software to verify memory requirements. (If you just installed an adapter or memory, you might have a memory-address conflict.)
 - The software is designed to operate on your computer.

- Other software works on your computer.
- The software you are using works correctly on another computer.
- If you received any error messages while using the software program, see the printed documentation supplied with the software or the help system for that software for a description of the messages and solutions to the problem.
- Check with your software manufacturer to see if any updates are available. Many software manufacturers make updates available from the World Wide Web.
- If the software program used to work correctly, but does not work correctly now, do the following:
 - On the Windows 7 operating system, click **Start → Control Panel → System and Security → System → System Protection → System Restore**. Then, follow the instructions on the screen.
 - On the Windows 8 or Windows 8.1 operating system, open Control Panel and click **System and Security → System → System Protection → System Restore**. Then, follow the instructions on the screen.
- If you are unable to resolve the problem through other methods, uninstall the software program and reinstall it.

If these actions do not correct the problem, you might need technical assistance. Contact your software manufacturer or see “Lenovo Support Web site” on page 30 for details.

A wireless LAN problem

Symptom: You cannot connect using the built-in wireless networking card.

Actions:

- Ensure that your wireless LAN driver is the latest version. Check the Web site and verify the driver version supported by Access Connections is the latest documented in the readme file.
- Ensure that your computer is within range of a wireless access point.
- Ensure that the wireless radio is enabled by double-clicking the Access Connections icon in the Windows notification area.
- Check Network Name (SSID), and your encryption information. Use Access Connections to verify this case-sensitive information.

Bluetooth problem

Symptom: Sound does not come from the Bluetooth headset or headphone but comes from the local speaker even though the headset or headphone is connected using the Headset profile or AV profile.

Action: Do the following:

1. Exit the application that uses the sound device (for example, Windows Media® Player).
2. Open Control Panel.
3. Click **Hardware and Sound → Sound**.
4. Select the **Playback** tab.
5. If you are using the Headset profile, select **Bluetooth Hands-free Audio** and click the **Set Default** button. If you are using the AV profile, select **Stereo Audio** and click the **Set Default** button.
6. Click **OK** to close the Sound window.

Note: Bluetooth is supported only on some computer models.

USB problems

Symptom: The USB connectors cannot be accessed.

Actions:

- Ensure that the USB cable is securely connected to the USB connector and to the USB device. If the USB device has its own power cord, ensure that it is attached to a properly grounded electrical outlet.
- If the USB device has its own On/Off switch, ensure that it is in the On position.
- If the USB device has an Online switch, ensure that it is in the Online position.
- If the USB device is a printer, ensure that paper is loaded correctly.
- Ensure that any device drivers or other software supplied with the USB device is correctly installed. Refer to the documentation for the USB device.
- Reset the device by detaching and reattaching the USB connector.

If these actions do not correct the problem, run the Lenovo Solution Center program to test the USB connector. If the USB device came with its own diagnostics, run those diagnostics against the USB device. If you need technical assistance, see “Lenovo Support Web site” on page 30.

Diagnostics

The diagnostic program is used to test hardware components of your computer. The diagnostic program can also report operating-system-controlled settings that interfere with the correct operation of your computer. You can use the preinstalled diagnostic program to diagnose computer problems, if your computer is running the Windows operating system.

Notes:

1. Your computer is preinstalled with the Lenovo Solution Center program for diagnostic purposes. For more information about the Lenovo Solution Center program, see “Lenovo Solution Center” on page 51.
2. If you are unable to isolate and repair the problem yourself after running the diagnostic program, save and print the log files created by the diagnostic program. You will need the log files when you speak to a Lenovo technical support representative.

Lenovo Solution Center

The Lenovo Solution Center program enables you to troubleshoot and resolve computer problems. It combines diagnostic tests, system information collection, security status, and support information, along with hints and tips for maximum system performance.

Notes:

- The Lenovo Solution Center program can be downloaded from <http://www.lenovo.com/diags>.
- If you are using a Windows operating system other than Windows 7, Windows 8, or Windows 8.1, go to <http://www.lenovo.com/diags> for the latest information on diagnostics for your computer.

To run the Lenovo Solution Center program, see “Lenovo programs” on page 28.

For additional information, refer to the Lenovo Solution Center help system.

Note: If you are unable to isolate and repair the problem yourself after running the program, save and print the log files. You will need the log files when you speak to a Lenovo technical support representative.

UEFI diagnostic program

A UEFI diagnostic program is preinstalled on the computer. It enables you to test memory modules and internal storage devices, view system information, and check and recover bad sectors on internal storage devices.

To run the UEFI diagnostic program, do the following:

1. Turn on the computer. If the computer cannot be turned on, go to “Basic troubleshooting” on page 33. If an error code is displayed, go to Chapter 6 “Symptom-to-FRU index” on page 61 for error code descriptions and troubleshooting hints.
2. Repeatedly press and release the F10 key when turning on the computer. The main screen of the UEFI diagnostic program is displayed.
3. Follow the instructions on the screen to use the diagnostic program.

The options on the main screen are as follows:

Table 2. Items on the main screen of the UEFI diagnostic program

DIAGNOSTICS	TOOLS
<ul style="list-style-type: none">• LCD test• Memory - Quick test• Memory - Extended test• Motherboard test• PCI-e test• Storage - Quick test	<ul style="list-style-type: none">• System information• Recover bad sectors tool• Generate configuration file• Execute from configuration file• Exit application

Chapter 5. Advanced configuration

This chapter provides the following information to help you configure the computer:

- “Using the Setup Utility program” on page 53
- “Configuring RAID” on page 58

Using the Setup Utility program

The Setup Utility program is used to view and change the configuration settings of your computer, regardless of which operating system you are using. However, the operating system settings might override any similar settings in the Setup Utility program.

Starting the Setup Utility program

To start the Setup Utility program, do the following:

1. Ensure that your computer is turned off.
2. Repeatedly press and release the F1 key when turning on the computer. When you hear multiple beeps or see a logo screen, release the F1 key.

Note: If a power-on password or an administrator password has been set, the Setup Utility program menu will not be displayed until you enter the correct password. For more information, see “Using BIOS passwords” on page 54.

When the POST detects that the hard disk drive has been removed from your computer or the memory module size has decreased, an error message will be displayed when you start the computer and you will be prompted to do one of the following:

- Press F1 to enter the Setup Utility program.

Note: After you enter the Setup Utility program, press F10 to save changes and exit the Setup Utility program. Press Enter when prompted to confirm the exit. The error message will not be displayed again.

- Press F2 to bypass the error message and log in to the operating system.

Note: You have to enable the configuration change detection feature for the POST to detect the removal of the hard disk drive. To enable the configuration change detection feature, do the following:

1. Start the Setup Utility program.
2. From the Setup Utility program main menu, select **Security → Configuration Change Detection**, and press Enter.
3. Select **Enabled** and press Enter.
4. Press F10 to save changes and exit the Setup Utility program. Press Enter when prompted to confirm the exit.

Viewing and changing settings

The Setup Utility program menu lists various items about the system configuration. To view or change settings, start the Setup Utility program. See “Starting the Setup Utility program” on page 53. Then, follow the instructions on the screen.

You can use either the keyboard or the mouse to navigate through menu choices. The keys used to perform various tasks are displayed at the bottom of each screen.

Using BIOS passwords

By using the Setup Utility program, you can set passwords to prevent unauthorized access to your computer and data.

You do not have to set any passwords to use your computer. However, using passwords improves computer security. If you decide to set any passwords, read the following topics.

Setup Utility program password types

The following types of passwords are available:

- **Power-on password**
When a power-on password is set, you are prompted to enter a valid password each time the computer is turned on. The computer cannot be used until the valid password is entered.
- **Administrator password**
Setting an administrator password deters unauthorized users from changing configuration settings. If you are responsible for maintaining the configuration settings of several computers, you might want to set an Administrator password.
When an administrator password is set, you are prompted to enter a valid password each time you try to access the Setup Utility program. The Setup Utility program cannot be accessed until a valid password is entered.
If both the power-on password and administrator password are set, you can enter either password. However, you must use your Administrator password to change any configuration settings.
- **Hard disk password**
Setting a hard disk password prevents unauthorized access to the data on the hard disk drive. When a hard disk password is set, you are prompted to enter a valid password each time you try to access the hard disk drive.

Notes:

- After you set a hard disk password, your data on the hard disk drive is protected even if the hard disk drive is removed from one computer and installed in another.
- If the hard disk password is forgotten, there is no way to reset the password or recover data from the hard disk drive.

Password considerations

A password can be any combination of up to 64 alphabetic and numeric characters. For security reasons, it is recommended to use a strong password that cannot be easily compromised.

Note: The Setup Utility program passwords are not case sensitive.

To set a strong password, consider the following guidelines:

- Have at least eight characters in length
- Contain at least one alphabetic character and one numeric character
- Not be your name or your user name
- Not be a common word or a common name
- Be significantly different from your previous passwords

Setting, changing, and deleting a password

To set, change, or delete a password, do the following:

1. Start the Setup Utility program. See “Starting the Setup Utility program” on page 53.
2. From the Setup Utility program main menu, select **Security**.

3. Depending on the password type, select **Set Power-On Password**, **Set Administrator Password**, or **Hard Disk Password**.
4. Follow the instructions on the right side of the screen to set, change, or delete a password.

Note: A password can be any combination of up to 64 alphabetic and numeric characters. For more information, see “Password considerations” on page 54.

Erasing lost or forgotten passwords (clearing CMOS)

This section provides instructions on how to erase lost or forgotten passwords, such as a user password.

To erase a lost or forgotten password, do the following:

1. Remove all media from the drives and turn off all attached devices and the computer. Then, disconnect all power cords from electrical outlets and disconnect all cables that are connected to the computer.
2. Remove the computer cover. See Chapter 8 “Replacing FRUs” on page 83.
3. Locate the Clear CMOS /Recovery jumper on the system board. See Chapter 7 “Locations” on page 67.
4. Move the jumper from the standard position (pin 1 and pin 2) to the maintenance position (pin 2 and pin 3).
5. Reinstall the computer cover and connect the power cord. See “Completing the parts replacement” on page 142.
6. Turn on the computer and leave it on for approximately 10 seconds. Then, turn off the computer by holding the power button for approximately five seconds.
7. Repeat step 1 through step 2.
8. Move the Clear CMOS /Recovery jumper back to the standard position (pin 1 and pin 2).
9. Reinstall the computer cover and connect the power cord. See “Completing the parts replacement” on page 142.

Enabling or disabling a device

This section provides information on how to enable or disable user access to the following devices:

USB Setup	Use this option to enable or disable a USB connector. When a USB connector is disabled, the device connected to the USB connector cannot be used.
SATA Controller	When this feature is set to Disable , all devices connected to the SATA connectors (such as hard disk drives or the optical drive) are disabled and cannot be accessed.

To enable or disable a device, do the following:

1. Start the Setup Utility program. See “Starting the Setup Utility program” on page 53.
2. From the Setup Utility program main menu, select **Devices**.
3. Depending on the device you want to enable or disable, do one of the following:
 - Select **USB Setup** to enable or disable a USB device.
 - Select **ATA Drive Setup** to enable or disable an internal or external SATA device.
4. Select the desired settings and press Enter.
5. Press F10 to save changes and exit the Setup Utility program. See “Exiting the Setup Utility program” on page 58.

Selecting a startup device

If your computer does not start up from a device such as the disc or hard disk drive as expected, do one of the following to select the startup device you want.

Selecting a temporary startup device

Use this procedure to select a temporary startup device.

Note: Not all discs and hard disk drives are bootable.

1. Turn on or restart your computer.
2. When you see the logo screen, repeatedly press and release the F12 key. The Startup Device Menu window is displayed.
3. Select the desired startup device and press Enter. The computer will start up from the device you selected.

Note: Selecting a startup device from the Startup Device Menu window does not permanently change the startup sequence.

Selecting or changing the startup device sequence

To view or permanently change the configured startup device sequence, do the following:

1. Start the Setup Utility program. See “Starting the Setup Utility program” on page 53.
2. From the Setup Utility program main menu, select **Startup**.
3. Select the devices for the Primary Startup Sequence, the Automatic Startup Sequence, and the Error Startup Sequence. Read the information displayed on the right side of the screen.
4. Press F10 to save changes and exit the Setup Utility program. See “Exiting the Setup Utility program” on page 58.

Enabling ErP LPS compliance mode

Lenovo computers meet the eco-design requirements of the ErP Lot 3 regulation. For more information, go to:
<http://www.lenovo.com/ecodeclaration>

You can enable the energy-related products directive (ErP) lowest power state (LPS) compliance mode in the Setup Utility program to reduce the consumption of electricity when your computer is in sleep or off mode.

To enable ErP LPS compliance mode in the Setup Utility program, do the following:

1. Start the Setup Utility program. See “Starting the Setup Utility program” on page 53.
2. From the Setup Utility program main menu, select **Power → Enhanced Power Saving Mode**, and press Enter.
3. Select **Enabled** and press Enter.
4. From the **Power** menu, select **Automatic Power On** and press Enter.
5. Select **Wake on Lan** and press Enter.
6. Select **Disabled** and press Enter.
7. Press F10 to save changes and exit the Setup Utility program. Press Enter when prompted to confirm the exit.

When ErP LPS compliance mode is enabled, you can wake up your computer by doing one of the following:

- Press the power button
- Enable the wake up on alarm feature

The wake up on alarm feature enables your computer to wake up at a set time. To enable the wake up on alarm feature, do the following:

1. Start the Setup Utility program.
2. From the Setup Utility program main menu, select **Power → Automatic Power On**, and press Enter.

3. Select **Wake Up on Alarm** and press Enter. Then follow the instructions on the screen.
4. Press F10 to save changes and exit the Setup Utility program. Press Enter when prompted to confirm the exit.

- Enable the after power loss feature

The after power loss feature enables your computer to wake up when the power supply resumes after a sudden loss of electricity. To enable the after power loss feature, do the following:

1. Start the Setup Utility program.
2. From the Setup Utility program main menu, select **Power → After Power Loss**, and press Enter.
3. Select **Power On** and press Enter.
4. Press F10 to save changes and exit the Setup Utility program. Press Enter when prompted to confirm the exit.

ICE performance mode

You can adjust the acoustic and thermal performance of your computer through the **ICE Performance Mode** menu. Two choices are available:

- **Better Acoustic Performance** (default setting)
- **Better Thermal Performance**

By enabling **Better Acoustic Performance**, your computer will run with less noise at a normal thermal level. By enabling **Better Thermal Performance**, your computer will run at a better thermal level with normal acoustic performance.

To configure the ICE performance mode, do the following:

1. Start the Setup Utility program. See “Starting the Setup Utility program” on page 53.
2. From the Setup Utility program main menu, select **Power**.
3. Select **Intelligent Cooling Engine (ICE)**. The Intelligent Cooling Engine (ICE) window is displayed.
4. Select **ICE Performance Mode**. The ICE Performance Mode window is displayed.
5. Select **Better Acoustic Performance** or **Better Thermal Performance** as desired.
6. Press F10 to save changes and exit the Setup Utility program. See “Exiting the Setup Utility program” on page 58.

ICE thermal alert

You can monitor the thermal function of your computer under critical thermal situations through the **ICE Thermal Alert** menu. Two choices are available:

- **Enabled** (default setting)
- **Disabled**

After enabling the ICE thermal alert function, when critical thermal situations occur, such as malfunctioning fans, abnormally high temperature, and poor cooling performances, an alert log will be written into the Windows system log. The alert log can help you identify the thermal problems.

To configure the ICE thermal alert function, do the following:

1. Start the Setup Utility program. See “Starting the Setup Utility program” on page 53.
2. From the Setup Utility program main menu, select **Power**.
3. Select **Intelligent Cooling Engine (ICE)**. The Intelligent Cooling Engine (ICE) window is displayed.
4. Select **ICE Thermal Alert**. The ICE Thermal Alert window is displayed.

5. Select **Enabled** or **Disabled** as desired.
6. Press F10 to save your setting and exit the Setup Utility program. See “Exiting the Setup Utility program” on page 58.

Changing the BIOS settings before installing a new operating system

BIOS settings vary by operating system. Change the BIOS settings before installing a new operating system.

To change the BIOS settings, do the following:

1. Start the Setup Utility program. See “Starting the Setup Utility program” on page 53.
2. From the Setup Utility program main menu, select **Exit → OS Optimized Default**.
3. Depending on the operating system to be installed, do one of the following:
 - To install the Windows 8.1 (64-bit) operating system, select **Enabled**.
 - To install an operating system other than Windows 8.1 (64-bit), select **Disabled**.
4. Select **Yes** in the window displayed and press Enter to confirm your selection.
5. Press F10 to save changes and exit the Setup Utility program. See “Exiting the Setup Utility program” on page 58.

Exiting the Setup Utility program

After you finish viewing or changing settings, press Esc to return to the Setup Utility program main menu. You might have to press Esc several times. Do one of the following:

- If you want to save the new settings, press F10 to save changes and exit the Setup Utility program.
- If you do not want to save the settings, select **Exit → Discard Changes and Exit**, and then press Enter. When the Reset Without Saving window shows, select **Yes**, and then press Enter to exit the Setup Utility program.
- If you want to return to the default settings, press F9 to load the default settings, and then press F10 to save and exit the Setup Utility program.

Configuring RAID

This section provides information about how to configure Redundant Array of Independent Disks (RAID) for your computer.

Note: The information about configuring RAID in this chapter is applicable only for a Windows environment. For information about configuring RAID in a Linux environment, contact your Linux software provider.

RAID Level

Your computer must have the minimum number of SATA hard disk drives installed for the supported level of RAID below:

- RAID Level 0 – Striped disk array
 - Two hard disk drives minimum
 - Better performance without fault tolerance
- RAID Level 1 – Mirrored disk array
 - Two hard disk drives minimum
 - Improved read performance and 100% redundancy

Configuring the system BIOS to enable SATA RAID functionality

This section describes how to configure the system BIOS to enable SATA RAID functionality.

Note: Use the arrow keys on the keyboard to make selections.

To enable SATA RAID functionality, do the following:

1. Start the Setup Utility program. See “Starting the Setup Utility program” on page 53.
2. Select **Devices → ATA Drive Setup**.
3. Select **Configure SATA as** and press Enter.
4. Select **RAID Mode** and press Enter.
5. Press F10 to save the new settings and exit the Setup Utility program.

Creating RAID volumes

This section describes how to use the Intel® Matrix Storage Manager option ROM configuration utility to create RAID volumes.

To create RAID volumes, do the following:

1. Press Ctrl+I when prompted to enter the Intel Matrix Storage Manager option ROM configuration utility during the computer startup.
2. Use the up and down arrow keys to select **Create RAID Volume** and press Enter.
3. Type a proper RAID Volume name in the **Name** field and press Tab.
4. Use the arrow keys to select a RAID level in the **RAID Level** field and press Tab.
5. If appropriate, use the arrow keys to select a Stripe Size in the **Stripe Size** field and press Tab.
6. Type a volume size in the **Capacity** field and press Tab.
7. Press Enter to initiate volume creation.
8. When prompted, press Y to accept the warning message and create the volume.
9. Return to step 2 to create additional RAID volumes, or select **Exit** and press Enter.
10. Press Y when prompted to confirm the exit.

Deleting RAID volumes

This section describes how to use the Intel Matrix Storage Manager option ROM configuration utility to delete RAID volumes.

To delete RAID volumes, do the following:

1. Press Ctrl+I when prompted to enter the Intel Matrix Storage Manager option ROM configuration utility during the computer startup.
2. Use the up and down arrow keys to select **Delete RAID Volume** and press Enter.
3. Use the arrow keys to select the RAID volume to be deleted and press Delete.
4. When prompted, press Y to confirm the deletion of the selected RAID volume. Deleting a RAID volume will reset the hard disk drives to non-RAID.
5. After deleting a RAID volume, you can:
 - Return to step 2 to delete additional RAID volumes.
 - See “Creating RAID volumes” on page 59 for RAID volume creation.
 - Use the up and down arrow keys to select **Exit** and press Enter.

Resetting disks to non-RAID

This section describes how to reset your hard disk drives to non-RAID.

To reset your hard disk drives to non-RAID, do the following:

1. Press Ctrl+I when prompted to enter the Intel Matrix Storage Manager option ROM configuration utility during the computer startup.
2. Use the up and down arrow keys to select **Reset Disks to Non-RAID** and press Enter.
3. Use the arrow keys and the space key to mark individual physical hard disk drives to be reset, and then press Enter to complete the selection.
4. When prompted, press Y to confirm the reset action.
5. After completing the Reset Disks to Non-RAID function, you can:
 - See “Deleting RAID volumes” on page 59 for RAID volume deletion.
 - See “Creating RAID volumes” on page 59 for RAID volume creation.
 - Use the up and down arrow keys to select **Exit** and press Enter.

Chapter 6. Symptom-to-FRU index

The Symptom-to-FRU index lists error symptoms and possible causes. The most likely cause is listed first. Always begin with Chapter 3 “General checkout” on page 31. This index can also be used to help you decide which FRUs to have available when servicing a computer. If you are unable to correct the problem using this index, go to “Undetermined problems” on page 64.

Notes:

- If you have both an error message and an incorrect audio response, diagnose the error message first.
- If you cannot run the diagnostic tests or you get a diagnostic error code when running a test, but did receive a POST error message, diagnose the POST error message first.
- If you did not receive any error message, look for a description of your error symptoms in the first part of this index.

Hard disk drive boot error

A hard disk drive boot error can have the following causes.

Error	FRU/Action
The start-up drive is not in the boot sequence in configuration.	Check the configuration and ensure the start-up drive is in the boot sequence.
No operating system installed on the boot drive.	Install an operating system on the boot drive.
The boot sector on the startup drive is corrupted.	The drive must be formatted. Do the following: <ol style="list-style-type: none">1. Attempt to back up the data on the failing hard disk drive.2. Using the operating system programs, format the hard disk drive.
The drive is defective.	Replace the hard disk drive.

Power supply problems

If you suspect a power problem, use the following procedures.

Check/Verify	FRU/Action
Check the following for proper installation. <ul style="list-style-type: none">• Power cord• On/Off switch connector• On/Off switch power supply connector• System board power supply connectors• Microprocessor(s) connection	Reseat connectors
Check the power cord for continuity.	Power cord
Check the power-on switch for continuity.	Power-on switch

Beep symptoms

Beep symptoms are tones or a series of tones separated by pauses (intervals without sound) during POST.

The following table describes the beep symptoms.

Beep symptom	FRU/Action
2 short beeps CMOS setting error	Common error code, see the detail failure information in "POST error codes" on page 62.
3 short and 1 long beeps DRAM memory error	Perform the following actions in order. <ol style="list-style-type: none"> 1. Make sure the memory module(s) are properly seated in the connector(s). 2. Replace the memory module(s). 3. Replace the system board.

POST error codes

Each time you power-on the system, it performs a series of tests that check the operation of the system and some options. This series of tests is called the *Power-On Self-Test*, or *POST*. POST does the following operations.

- Checks some basic system-board operations
- Checks the memory operation
- Starts the video operation
- Verifies that the boot drive is working

If the POST detects a problem, an error message appears on the screen. A single problem can cause several error messages to appear. When you correct the cause of the first error message, the other error messages probably will not appear on the screen the next time you turn on the system.

Error code	POST error message	Description/Action
0135	Fan failure	The system might be overheating. Press F10 to exit. Note: If the problem is caused by the microprocessor fan, press F10 will not solve the problem.
0211	Keyboard not found	When there is no keyboard detected, the error message will be displayed.
0164	Memory size decreased	Press F10 to exit.
1762	Configuration change has occurred	This error message is displayed when a hard disk drive or optical drive change has been made. Press F10 to exit.
1820	More than one external fingerprint reader are attached. Power off and remove all but the reader that you set up within your main operating system.	If more than one external fingerprint reader are connected to a computer, this error message will be displayed to inform you to remove all of the fingerprint keyboards except the one compatible with the fingerprint application on your computer.
1962	No operating system found. Boot sequence will automatically repeat.	This error occurs only after the POST is completed. Boot sequence will automatically repeat.

Miscellaneous error conditions

Message/Symptom	FRU/Action
Changing display colors	Display/Monitor
Computer will <i>not</i> power-off. See "Hard disk drive boot error" on page 61.	<ol style="list-style-type: none"> 1. Power Switch 2. System Board 3. Riser card, if installed.
Computer will <i>not</i> RPL from server	<ol style="list-style-type: none"> 1. Ensure that network is in startup sequence as first device or first device after diskette. 2. Ensure that network adapter is enabled for RPL. 3. Network adapter (Advise network administrator of new MAC address)
Computer will <i>not</i> perform a Wake On LAN (if applicable)	<ol style="list-style-type: none"> 1. Check power supply and signal cable connections to network adapter. 2. Ensure that the operating system settings are set to enable Wake on LAN. 3. Ensure Wake On LAN feature is enabled in Setup/Configuration (see "Starting the Setup Utility program" on page 53) 4. Ensure network administrator is using correct MAC address. 5. Ensure no interrupt or I/O address conflicts. 6. Network adapter (advise network administrator of new MAC address)
Dead computer. See "Power supply problems" on page 61.	<ol style="list-style-type: none"> 1. Power Supply 2. System Board
Diskette drive in-use light remains on or does not light when drive is active.	<ol style="list-style-type: none"> 1. Diskette Drive 2. System Board 3. Diskette Drive Cable
Blank screen except for flashing cursor.	<ol style="list-style-type: none"> 1. System Board 2. Primary Hard Disk Drive 3. Hard Disk Drive Cable
Incorrect memory size during POST	<ol style="list-style-type: none"> 1. Run the Memory tests. 2. Memory Module 3. System Board
"Insert a Diskette" icon appears with a known-good diagnostics diskette in the first 3.5-inch diskette drive.	<ol style="list-style-type: none"> 1. System Board 2. Diskette Drive Cable 3. Network Adapter
Intensity or color varies from left to right of characters and color bars	<ol style="list-style-type: none"> 1. Display 2. Video adapter (if present) 3. System Board
No power or fan not running	<ol style="list-style-type: none"> 1. See "Hard disk drive boot error" on page 61.

Message/Symptom	FRU/Action
Non-system disk or disk error-type message with a known-good diagnostic diskette.	<ol style="list-style-type: none"> 1. Diskette Drive 2. System Board 3. Diskette Drive Cable
Other display symptoms not listed above (including blank or illegible display)	<ol style="list-style-type: none"> 1. Display 2. System Board
Power-on indicator or hard disk drive in-use light not on, but computer works correctly	<ol style="list-style-type: none"> 1. Power switch/LED assembly 2. System Board
Printer problems	<ol style="list-style-type: none"> 1. Printer 2. System Board
Program loads from the hard disk with a known-good diagnostics diskette in the first 3.5-inch diskette drive	<ol style="list-style-type: none"> 1. Run the Setup Utility program and check Startup sequence. 2. Diskette Drive 3. Diskette Drive Cable 4. System Board 5. Power Supply
RPL computer cannot access programs from its own hard disk.	<ol style="list-style-type: none"> 1. If network administrator is using LCCM Hybrid RPL, check startup sequence: <ol style="list-style-type: none"> a. First device - network b. Second device - hard disk 2. Hard disk drive
RPL computer does not RPL from server	<ol style="list-style-type: none"> 1. Check startup sequence. 2. Check the network adapter LED status.
Serial or parallel connector device failure (system board connector)	<ol style="list-style-type: none"> 1. External Device Self-Test OK? 2. External Device 3. Cable 4. System Board
Serial or parallel connector device failure (adapter connector)	<ol style="list-style-type: none"> 1. External Device Self-Test OK? 2. External Device 3. Cable 4. Alternate Adapter 5. System Board
Some or all keys on the keyboard do not work	<ol style="list-style-type: none"> 1. Keyboard 2. Keyboard Cable 3. System Board

Undetermined problems

This section provides instructions on how to find out the failing devices or adapters.

1. Power-off the computer.
2. Remove or disconnect the following components (if installed) one at a time.
 - a. External devices (modem, printer, or mouse)
 - b. Any adapters
 - c. Memory modules

- d. Extended video memory
 - e. External Cache
 - f. External Cache RAM
 - g. Hard disk drive
 - h. Diskette drive
3. Power-on the computer to re-test the system.
 4. Repeat steps 1 through 3 until you find the failing device or adapter.

If all devices and adapters have been removed, and the problem continues, replace the system board. See “Replacing the system board” on page 130.

Chapter 7. Locations

This chapter introduces the locations of the computer hardware components.

Locations (30AG, and 30AH)

This chapter introduces the locations of the computer hardware components.

Locating connectors, controls, and indicators on the front of your computer

The following illustration shows the locations of the connectors, controls, and indicators on the front of your computer.

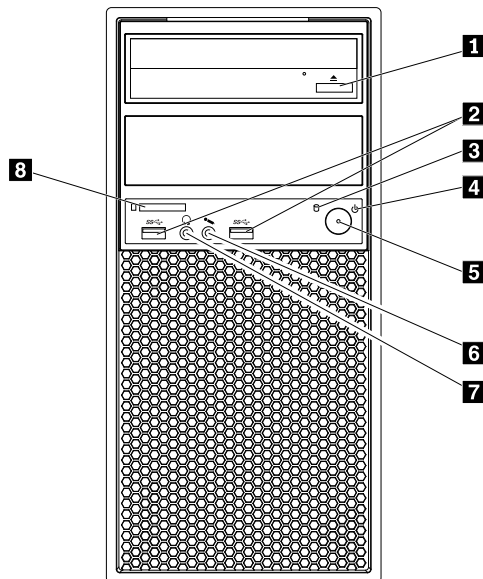


Figure 1. Front connector, control, and indicator locations

1 Optical drive eject/close button	2 USB 3.0 connectors (2)
3 Hard disk drive activity indicator	4 Power indicator
5 Power button	6 Microphone connector
7 Headphone connector	8 Card-reader slot (available on some models)

Locating connectors on the rear of your computer

The following illustration shows the locations of the connectors on the rear of your computer. Some connectors on the rear of your computer are color-coded to help you determine where to connect the cables on your computer.

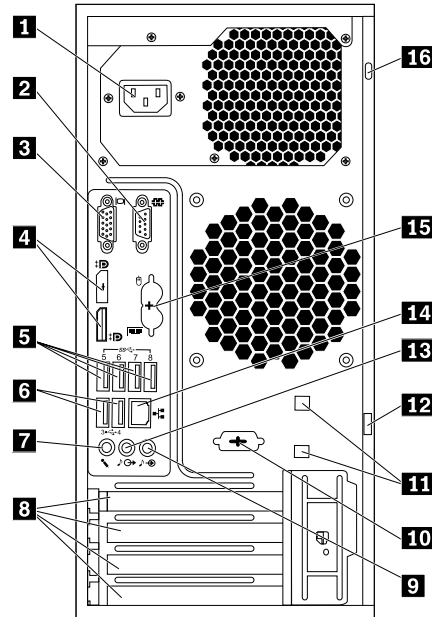


Figure 2. Rear connector locations

1 Power-cord connector	2 Serial connector
3 VGA connector	4 DisplayPort® connectors
5 USB 3.0 connectors (4)	6 USB 2.0 connectors (2)
7 Microphone connector	8 PCI/PCI-Express card area (different cards provide different connectors)
9 Audio line-in connector	10 Optional serial connector
11 Cable-lock slots	12 Padlock loop
13 Audio line-out connector	14 Ethernet connector
15 PS/2 keyboard and mouse connectors (available on some models)	16 Security-lock slot

Note: If your computer has a discrete graphics card, a network interface card, or an audio card installed in one of the PCI card slots, ensure that you use the connectors on the card instead of the corresponding connectors on the computer.

Connector	Description
Audio line-in connector	Used to receive audio signals from an external audio device, such as a stereo system. When you attach an external audio device, a cable is connected between the audio line-out connector of the device and the audio line-in connector of the computer.
Audio line-out connector	Used to send audio signals from the computer to external devices, such as powered stereo speakers (speakers with built-in amplifiers), headphones, multimedia keyboards, or the audio line-in connector on a stereo system or other external recording device.
DisplayPort connector	Used to attach a high-performance monitor, a direct-drive monitor, or other devices that use a DisplayPort connector.
Ethernet connector	Used to attach an Ethernet cable for a local area network (LAN). Note: To operate the computer within FCC Class B limits, use a Category 5 Ethernet cable.
Microphone connector	Used to attach a microphone to your computer when you want to record sound or if you use speech-recognition software.
PS/2 keyboard connector (optional)	Used to attach a keyboard that uses a Personal System/2 (PS/2) keyboard connector.
PS/2 mouse connector (optional)	Used to attach a mouse, a trackball, or other pointing devices that use a PS/2 mouse connector.
Serial connector	Used to attach an external modem, a serial printer, or other devices that use a 9-pin serial connector.
USB 2.0 connector	Used to attach a device that requires a USB 2.0 connector, such as a USB keyboard, a USB mouse, a USB scanner or a USB printer. If you have more than eight USB devices, you can purchase a USB hub, which you can use to connect additional USB devices.
USB 3.0 connector	Used to attach a device that requires a USB 2.0 or 3.0 connector, such as a USB keyboard, a USB mouse, a USB scanner or a USB printer. If you have more than eight USB devices, you can purchase a USB hub, which you can use to connect additional USB devices.
VGA monitor connector	Used to attach a VGA monitor or other devices that use a VGA monitor connector.

Locating major FRUs and CRUs

Figure 3 “Locating major FRUs and CRUs” on page 70 shows the locations of the major FRUs and CRUs in the computer. To remove the computer cover, see Chapter 8 “Replacing FRUs” on page 83.

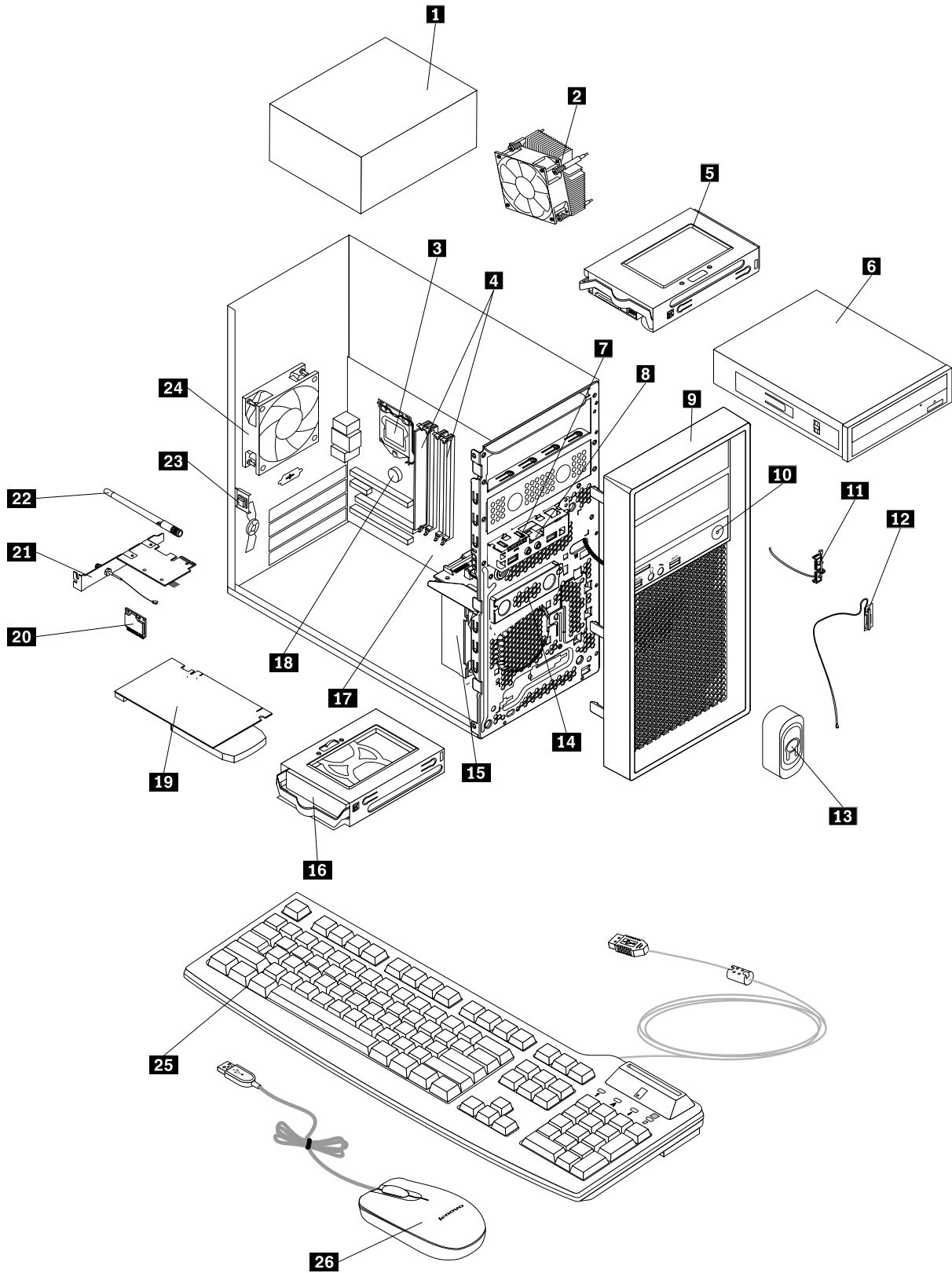


Figure 3. Locating major FRUs and CRUs

The following table lists the major FRUs shown in Figure 3 “Locating major FRUs and CRUs” on page 70 and identifies which FRUs are also self-service CRUs or optional-service CRUs.

Notes:

- Self-service CRUs: These CRUs unplug or are secured by no more than two screws. Examples of these types of CRUs include the keyboard, the mouse, any USB device, and the power cord. Other self-service CRUs depending on product design might include memory modules, adapter cards, hard disk drives, and optical drives.
- Optional-service CRUs: These CRUs are isolated parts within the computer and are concealed by an access panel that is typically secured by more than two screws. Once the access panel is removed, the specific CRU is visible.

Number	FRU description	Self-service CRU	Optional-service CRU
1	Power supply assembly	No	Yes
2	Heat sink and fan assembly	No	Yes
3	Microprocessor	No	No
4	Memory modules	Yes	No
5	Hard disk drive, hybrid drive, or solid-state drive (available on some models)	Yes	No
6	Optical drive (available on some models)	Yes	No
6	Flex module (available on some models)	No	Yes
7	Card reader (available on some models)	No	No
8	Front audio and USB assembly	Yes	No
9	Front bezel	Yes	No
10	Power button	No	No
11	Thermal sensor (available on some models)	No	No
12	Front Wi-Fi antenna (available on some models)	No	Yes
13	Internal speaker	No	No
14	mSATA solid-state drive (available on some models)	Yes	No
15	Front fan assembly	No	Yes
16	Hard disk drive, hybrid drive, or solid-state drive (available on some models)	Yes	No
17	System board	No	No
18	Battery	No	Yes
19	PCI card (available on some models)	No	Yes
20	Wi-Fi card module (available on some models)	No	Yes
21	Wi-Fi adapter card (available on some models)	No	Yes
22	Rear Wi-Fi antenna (available on some models)	Yes	No
23	Cover presence switch (also called intrusion switch) (available on some models)	No	No
24	Rear fan assembly	No	Yes
25	Keyboard	Yes	No
26	Mouse	Yes	No

Looking up FRU information

For detailed FRU information, such as the FRU part numbers and supported computer models, go to: <http://www.lenovo.com/serviceparts-lookup>

Locating parts on the system board

The following illustration shows the locations of the parts on the system board.

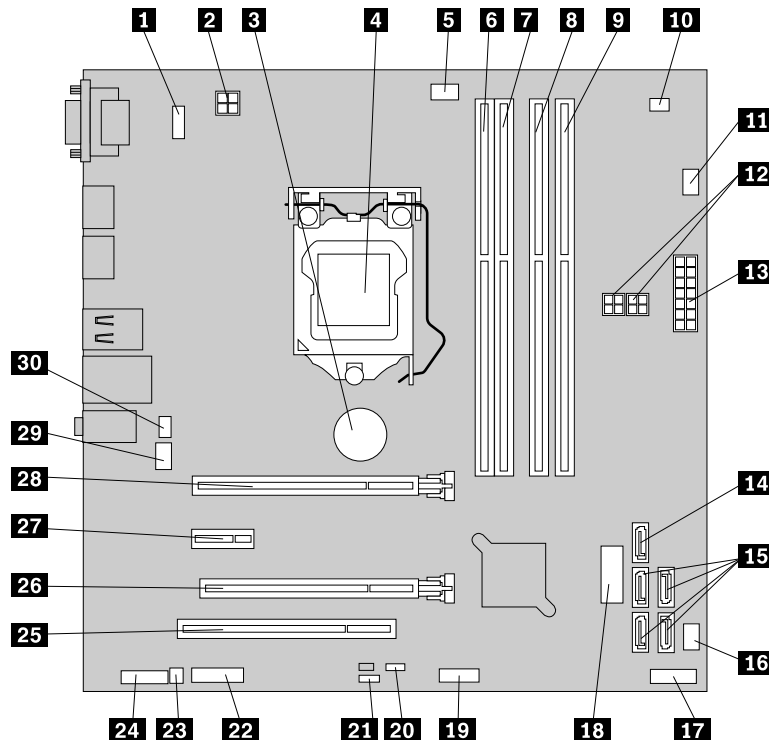


Figure 4. System board part locations

1 PS/2 keyboard and mouse connector	2 4-pin power connector
3 Battery	4 Microprocessor
5 Microprocessor fan connector	6 Memory slot 1 (DIMM1)
7 Memory slot 2 (DIMM2)	8 Memory slot 3 (DIMM3)
9 Memory slot 4 (DIMM4)	10 Thermal sensor connector
11 Hard disk drive fan connector	12 4-pin SATA power connectors
13 14-pin power connector	14 eSATA connector
15 SATA connectors	16 Power fan connector
17 Front panel connector (for connecting LED indicators and the power button)	18 Front USB 3.0 connector (for connecting USB connectors on the front panel)
19 USB 2.0 connector or card reader connector	20 USB hardware disable header
21 Clear CMOS (Complementary Metal Oxide Semiconductor) /Recovery jumper	22 Serial (COM2) connector
23 Internal speaker connector	24 Front audio connector

25 PCI card slot	26 PCI Express x16 card slot (negotiable link width x4, x1)
27 PCI Express x1 card slot	28 PCI Express x16 graphics card slot
29 System fan connector	30 Cover presence switch connector (Intrusion switch connector)

Locating internal drives

Internal drives are devices that your computer uses to read and store data. You can add drives to your computer to increase storage capacity and enable your computer to read other types of media. Internal drives are installed in bays.

When installing or replacing an internal drive, it is important to note the type and size of the drive that you can install or replace in each bay and correctly connect the cables to the drive installed. Refer to the appropriate section in Chapter 8 “Replacing FRUs” on page 83 for instructions on how to install or replace internal drives for your computer.

The following illustration shows the locations of the drive bays.

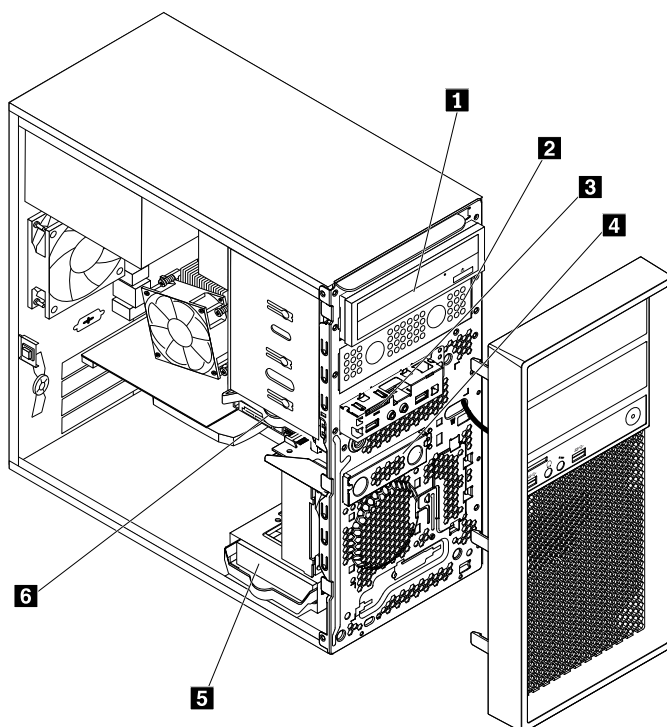


Figure 5. Drive-bay locations

- 1** Primary optical-drive bay (with an optical drive or a flex module installed in some models)
- 2** Secondary optical-drive bay (with an optical drive or a flex module installed in some models)
- 3** Card-reader slot (available on some models and with a card reader installed)
- 4** mSATA solid-state drive bay (with an mSATA solid-state drive installed in some models)
- 5** Secondary hard-disk-drive bay (with a hard disk drive, solid-state drive, or hybrid drive installed in some models)
- 6** Primary hard-disk-drive bay (with a hard disk drive, solid-state drive, or hybrid drive installed in some models)

Locations (30AK and 30AJ)

This chapter introduces the locations of the computer hardware components.

Locating connectors, controls, and indicators on the front of your computer

The following illustration shows the locations of the connectors, controls, and indicators on the front of your computer.

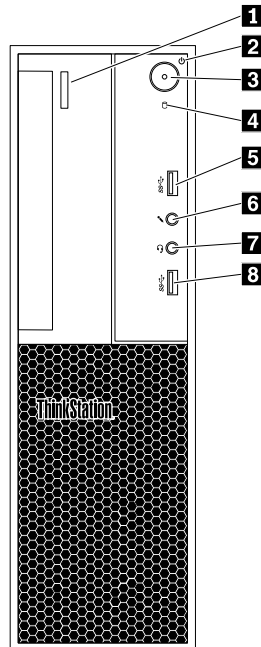


Figure 6. Front connector, control, and indicator locations

1 Optical drive eject/close button	2 Power indicator
3 Power button	4 Hard disk drive activity indicator
5 USB 3.0 connector	6 Microphone connector
7 Headphone connector	8 USB 3.0 connector

Locating connectors on the rear of your computer

The following illustration shows the locations of the connectors on the rear of your computer. Some connectors on the rear of your computer are color-coded to help you determine where to connect the cables on your computer.

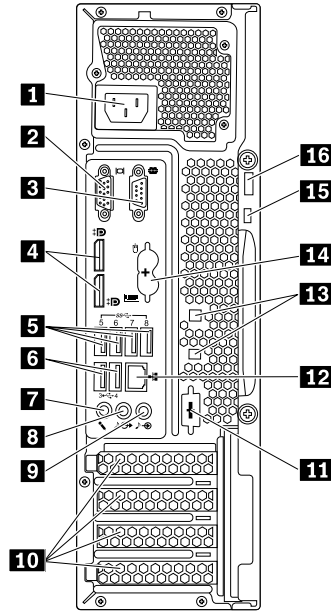


Figure 7. Rear connector locations

1 Power-cord connector	2 VGA connector
3 Serial connector	4 DisplayPort® connectors
5 USB 3.0 connectors (4)	6 USB 2.0 connectors (2)
7 Microphone connector	8 Audio line-out connector
9 Audio line-in connector	10 PCI/PCI-Express card area (different cards provide different connectors)
11 Optional serial connector	12 Ethernet connector
13 Cable-lock slots (2)	14 PS/2 keyboard and mouse connectors (in some models)
15 Security-lock slot	16 Padlock loop

Note: If your computer has a discrete graphics card, a network interface card, or an audio card installed in one of the PCI card slots, ensure that you use the connectors on the card instead of the corresponding connectors on the computer.

Connector	Description
Audio line-in connector	Used to receive audio signals from an external audio device, such as a stereo system. When you attach an external audio device, a cable is connected between the audio line-out connector of the device and the audio line-in connector of the computer.
Audio line-out connector	Used to send audio signals from the computer to external devices, such as powered stereo speakers (speakers with built-in amplifiers), headphones, multimedia keyboards, or the audio line-in connector on a stereo system or other external recording device.

Connector	Description
DisplayPort connector	Used to attach a high-performance monitor, a direct-drive monitor, or other devices that use a DisplayPort connector.
Ethernet connector	Used to attach an Ethernet cable for a local area network (LAN). Note: To operate the computer within FCC Class B limits, use a Category 5 Ethernet cable.
Microphone connector	Used to attach a microphone to your computer when you want to record sound or if you use speech-recognition software.
PS/2 keyboard connector (in some models)	Used to attach a keyboard that uses a Personal System/2 (PS/2) keyboard connector.
PS/2 mouse connector (in some models)	Used to attach a mouse, a trackball, or other pointing devices that use a PS/2 mouse connector.
Serial connector	Used to attach an external modem, a serial printer, or other devices that use a 9-pin serial connector.
USB 3.0 connector	Used to attach a device that requires a USB 2.0 connector, such as a USB keyboard, a USB mouse, a USB scanner or a USB printer. If you have more than eight USB devices, you can purchase a USB hub, which you can use to connect additional USB devices.
USB 3.0 connector	Used to attach a device that requires a USB 2.0 or 3.0 connector, such as a USB keyboard, a USB mouse, a USB scanner or a USB printer. If you have more than eight USB devices, you can purchase a USB hub, which you can use to connect additional USB devices.
VGA connector	Used to attach a VGA monitor or other devices that use a Video Graphics Array (VGA) connector.

Locating major FRUs and CRUs

Figure 8 “Locating major FRUs and CRUs” on page 77 shows the locations of the major FRUs and CRUs in the computer. To remove the computer cover, see Chapter 8 “Replacing FRUs” on page 83.

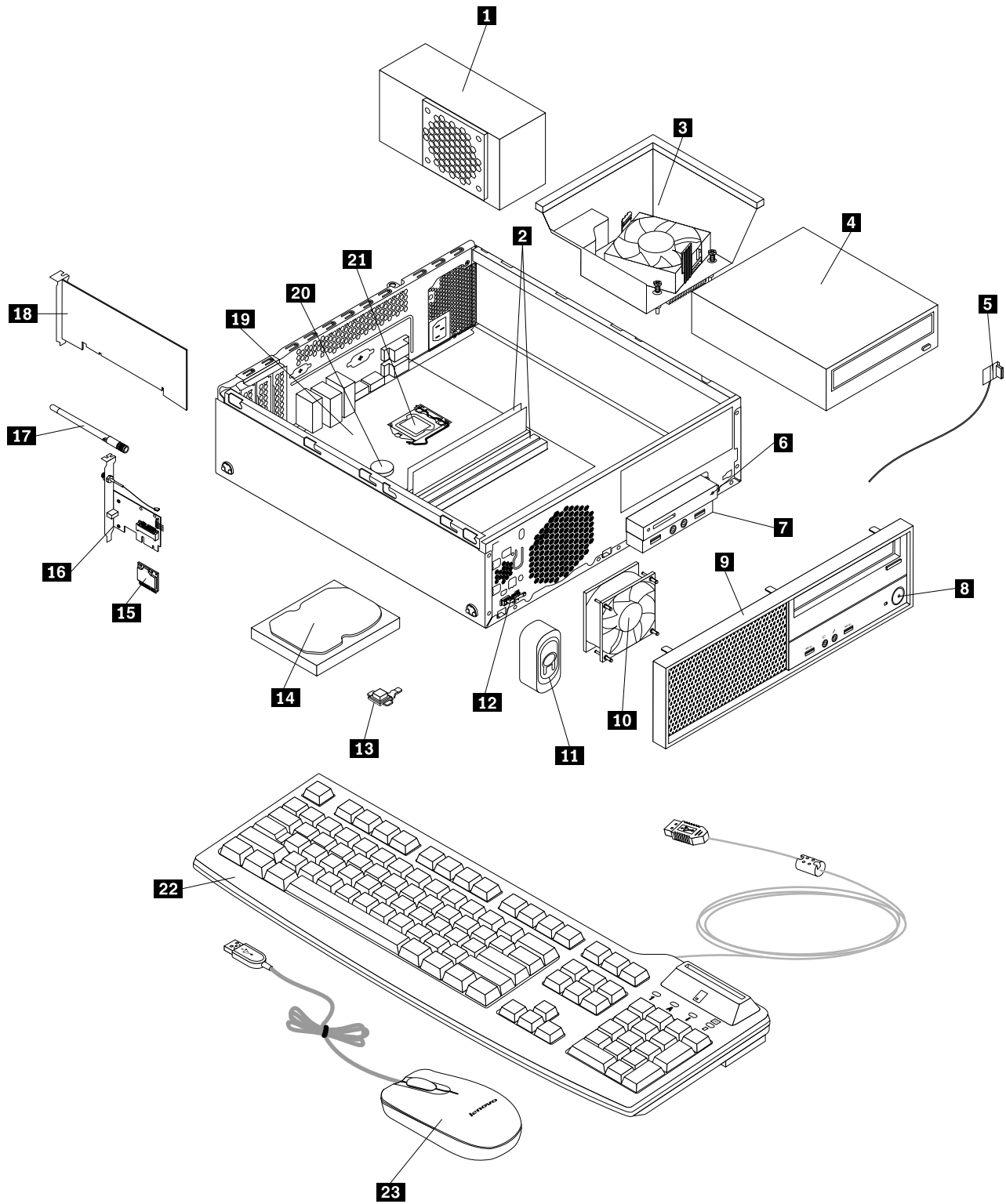


Figure 8. Locating major FRUs and CRUs

The following table lists the major FRUs shown in Figure 8 “Locating major FRUs and CRUs” on page 77 and identifies which FRUs are also self-service CRUs or optional-service CRUs.

Notes:

- Self-service CRUs: These CRUs unplug or are secured by no more than two screws. Examples of these types of CRUs include the keyboard, the mouse, any USB device, and the power cord. Other self-service CRUs depending on product design might include memory modules, adapter cards, hard disk drives, and optical drives.
- Optional-service CRUs: These CRUs are isolated parts within the computer and are concealed by an access panel that is typically secured by more than two screws. Once the access panel is removed, the specific CRU is visible.

Number	FRU description	Self-service CRU	Optional-service CRU
1	Power supply assembly	No	Yes
2	Memory modules	Yes	No
3	Heat sink and fan assembly	No	Yes
4	Optical drive (available on some models)	Yes	No
4	Flex module (available on some models)	No	Yes
4	5.25-inch assembly (available on some models)	No	Yes
5	Front Wi-Fi antenna (available on some models)	No	Yes
6	Card reader (available on some models)	No	No
7	Front audio and USB assembly	Yes	No
8	Front bezel	Yes	No
9	Power button	No	No
10	System fan	No	Yes
11	Internal speaker (available on some models)	No	No
12	Thermal sensor	No	No
13	Cover presence switch (also called intrusion switch, available on some models)	No	No
14	Hard disk drive, hybrid drive, or solid-state drive	Yes	No
15	Wi-Fi card module (available on some models)	No	Yes
16	Wi-Fi adapter card (available on some models)	No	Yes
17	Rear Wi-Fi antenna (available on some models)	Yes	No
18	PCI card (available on some models)	No	Yes
19	System board	No	No
20	Battery	No	Yes
21	Microprocessor	No	No
22	Keyboard	Yes	No
23	Mouse	Yes	No

Looking up FRU information

For detailed FRU information, such as the FRU part numbers and supported computer models, go to:
<http://www.lenovo.com/serviceparts-lookup>

Locating parts on the system board

The following illustration shows the locations of the parts on the system board.

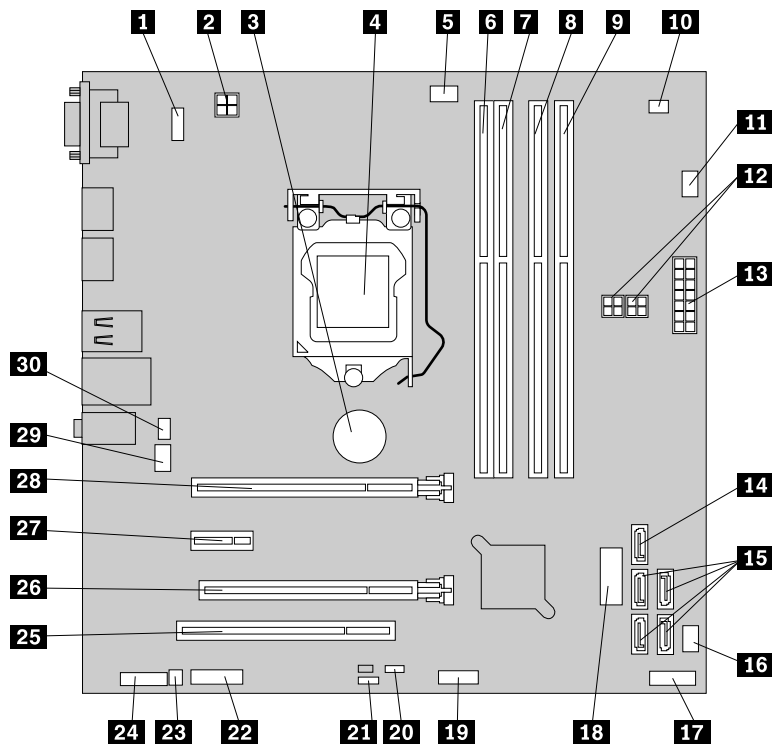


Figure 9. System board part locations

1 PS/2 keyboard and mouse connector	2 4-pin power connector
3 Battery	4 Microprocessor
5 Microprocessor fan connector	6 Memory slot 1 (DIMM1)
7 Memory slot 2 (DIMM2)	8 Memory slot 3 (DIMM3)
9 Memory slot 4 (DIMM4)	10 Thermal sensor connector
11 Hard disk drive fan connector	12 4-pin SATA power connectors
13 14-pin power connector	14 eSATA connector
15 SATA connectors	16 Power fan connector
17 Front panel connector (for connecting LED indicators and the power button)	18 Front USB 3.0 connector (for connecting USB connectors on the front panel)
19 USB 2.0 connector or card reader connector	20 USB hardware disable header
21 Clear CMOS (Complementary Metal Oxide Semiconductor) /Recovery jumper	22 Serial (COM2) connector
23 Internal speaker connector	24 Front audio connector
25 PCI card slot	26 PCI Express x16 card slot (negotiable link width x4, x1)
27 PCI Express x1 card slot	28 PCI Express x16 graphics card slot
29 System fan connector	30 Cover presence switch connector (Intrusion switch connector)

Locating internal drives

Internal drives are devices that your computer uses to read and store data. You can add drives to your computer to increase storage capacity and enable your computer to read other types of media. Internal drives are installed in bays.

When installing or replacing an internal drive, it is important to note the type and size of the drive that you can install or replace in each bay and correctly connect the cables to the drive installed. Refer to the appropriate section in Chapter 8 “Replacing FRUs” on page 83 for instructions on how to install or replace internal drives for your computer.

The following illustration shows the locations of the drive bays.

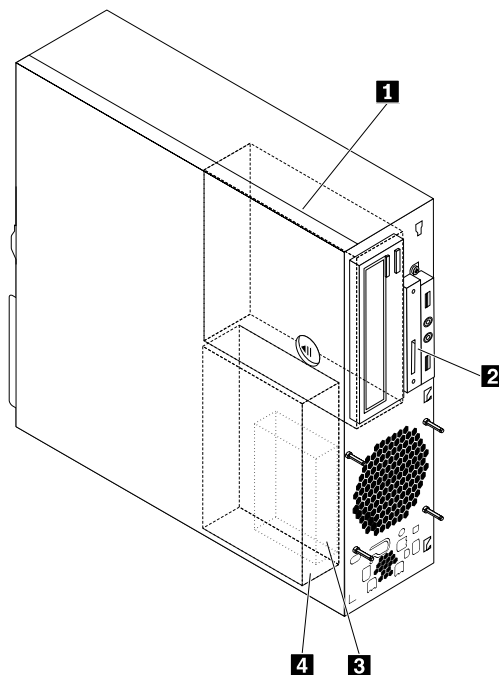


Figure 10. Drive-bay locations

1 Optical-drive bay

The optical drive bays support the following three devices. Depending on your computer model, one of them might be installed:

- Optical drive
- 5.25-inch cage assembly (slim optical drive plus storage drive) (hereafter called 5.25-inch cage assembly)
- 5.25-inch flex module equipped with some or all of the following components:
 - Slim optical drive
 - Card reader
 - eSATA connector
 - IEEE 1394 connector

2 Card-reader bay

A card reader or an mSATA solid-state drive might be installed in this bay.

3 Secondary hard-disk-drive bay

A 2.5-inch hard disk drive or solid-state drive might be installed in this bay.

4 Primary hard-disk-drive bay

A 3.5-inch hard disk drive, 3.5-inch hybrid drive, or 2.5-inch solid-state drive might be installed in this bay.

Chapter 8. Replacing FRUs

Important: Before you replace any FRU, be sure to read and understand Chapter 1 “Safety information” on page 1. These precautions and guidelines will help you work safely.

FRU replacements are to be done only by trained service technicians.

This chapter provides instructions about removing or replacing major FRUs. Not all FRUs are documented.

Installing or replacing hardware (30AG and 30AH)

This section provides instructions on how to install or replace hardware for your computer. You can expand the capabilities of your computer and maintain your computer by installing or replacing hardware.

Important: Before you replace any FRU, be sure to read and understand Chapter 1 “Safety information” on page 1.

Notes:

- Use only computer parts provided by Lenovo.
- When installing or replacing an option, use the appropriate instructions in this section along with the instructions that come with the option.

Removing the computer cover

Important: Before you replace any FRU, be sure to read and understand Chapter 1 “Safety information” on page 1.

CAUTION:



Before you open the computer cover, turn off the computer and wait several minutes until the computer is cool.

To remove the computer cover, do the following:

1. Remove all media from the drives and turn off all attached devices and the computer. Then, disconnect all power cords from electrical outlets and disconnect all cables that are connected to the computer. See “Locating connectors, controls, and indicators on the front of your computer” on page 67 and “Locating connectors on the rear of your computer” on page 68.
2. Remove any locking device that secures the computer cover, such as a padlock or a Kensington-style cable lock.
3. Remove any screws that secure the computer cover.

4. Press the cover-release button on the side of the computer and slide the cover to the rear of the computer to remove the cover.

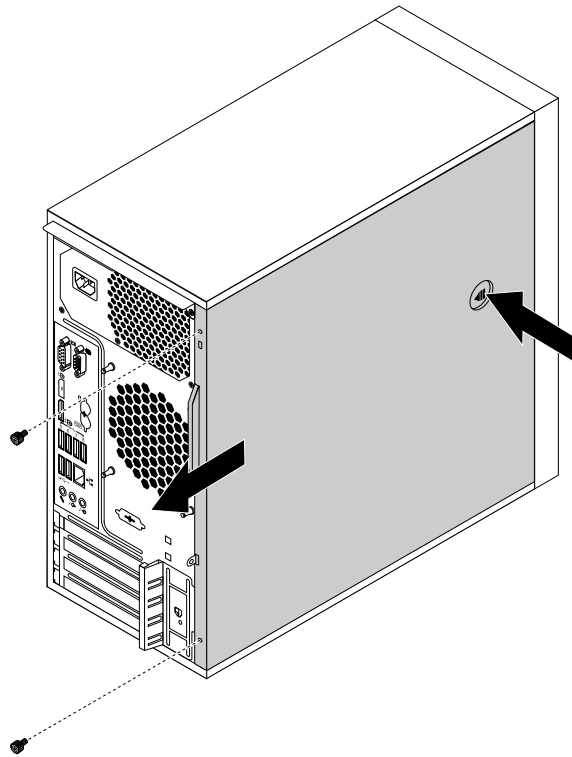


Figure 11. Removing the computer cover

Removing and reinstalling the front bezel

Important: Before you replace any FRU, be sure to read and understand Chapter 1 “Safety information” on page 1.

To remove and reinstall the front bezel, do the following:

1. Remove all media from the drives and turn off all attached devices and the computer. Then, disconnect all power cords from electrical outlets and disconnect all cables that are connected to the computer.
2. Remove the computer cover. See “Removing the computer cover” on page 83.

3. Remove the front bezel by releasing the three plastic tabs on the left side and pivoting the front bezel outward.

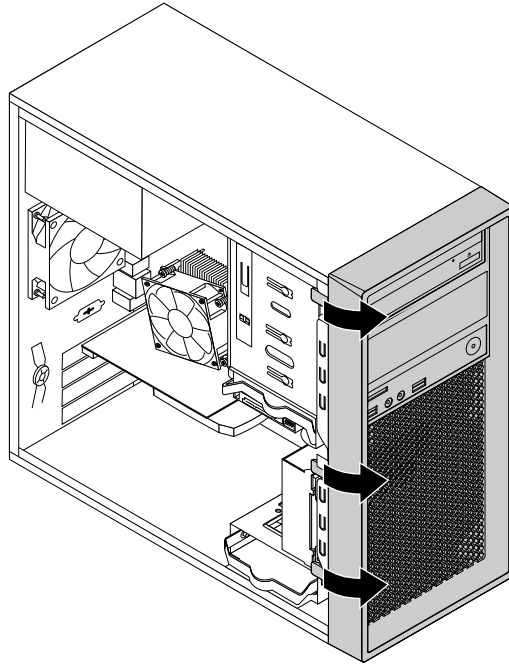


Figure 12. Removing the front bezel

4. To reinstall the front bezel, align the three plastic tabs on the right side of the front bezel with the corresponding holes in the chassis, then pivot the front bezel inwards until it snaps into position on the left side.

What to do next:

- To work with another piece of hardware, go to the appropriate section.
- To complete the installation or replacement, go to “Completing the parts replacement” on page 142.

Installing or replacing a PCI card

Important: Before you replace any FRU, be sure to read and understand Chapter 1 “Safety information” on page 1.

This section provides instructions on how to install or replace a PCI card. Your computer has one standard PCI card slot, one PCI Express x1 card slot, one PCI Express x16 card slot (negotiable link width x4, x1), and one PCI Express x16 graphics card slot (graphics card available on some models).

To install or replace a PCI card, do the following:

1. Remove all media from the drives and turn off all attached devices and the computer. Then, disconnect all power cords from electrical outlets and disconnect all cables that are connected to the computer.
2. Remove the computer cover. See “Removing the computer cover” on page 83.

3. At the rear of the computer, press the release button **1** to open the card latch **2**.

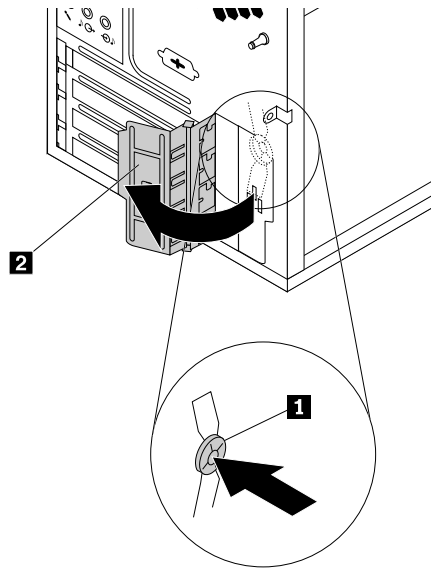


Figure 13. Opening the PCI card latch

4. Depending on whether you are installing or replacing a PCI card, do one of the following:
 - If you are installing a PCI card, remove the appropriate metal slot cover.
 - If you are replacing an old PCI card, grasp the old card that is currently installed and gently pull it out of the slot.

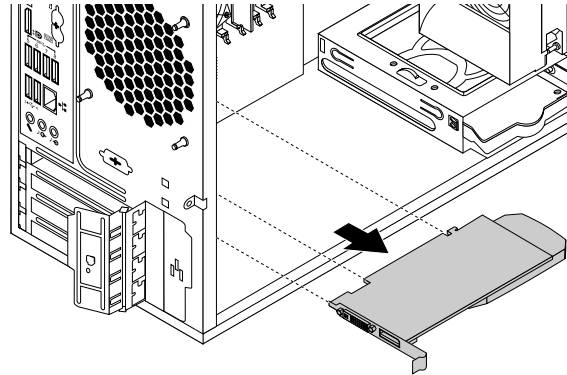


Figure 14. Removing a PCI card

Notes:

- a. The card fits tightly into the card slot. If necessary, alternate moving each side of the card a small amount until it is removed from the card slot.
- b. If the card is held in place by a retaining latch, disengage the card retaining latch on the PCI card slot. Then grasp the card and gently pull it out of the slot.

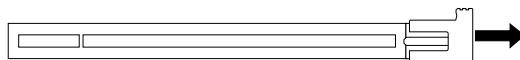


Figure 15. Disengaging the card retaining latch

5. Remove the new PCI card from its static-protective package.
6. Install the new card into the appropriate slot on the system board. See “Locating parts on the system board” on page 72.

Note: If you are installing a PCI Express x16 graphics card, ensure that the memory slot retaining clips are closed before you install the graphics card.

7. Pivot the card latch to the closed position to secure the PCI card.

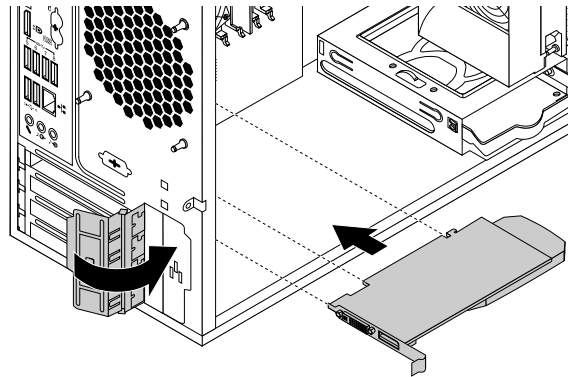


Figure 16. Installing a PCI card

What to do next:

- To work with another piece of hardware, go to the appropriate section.
- To complete the installation or replacement, go to “Completing the parts replacement” on page 142.

Installing or replacing a memory module

Important: Before you replace any FRU, be sure to read and understand Chapter 1 “Safety information” on page 1.

Your computer has four slots for installing or replacing DDR3 UDIMMs that provide up to a maximum of 32 GB system memory. When installing or replacing a memory module, use 4 GB or 8 GB DDR3 UDIMMs in any combination up to a maximum of 32 GB.

The following table provides information about the memory module installation rules that you should consider when installing or removing a memory module. The “X” mark indicates the memory slot(s) into which the memory module(s) should be installed in different situations. The numbers 1, 2, 3, and 4 indicate the installation sequence. To locate the memory module slots, see “Locating parts on the system board” on page 72.

UDIMM	DIMM 1	DIMM 2	DIMM 3	DIMM 4
One UDIMM		X		
Two UDIMMs		X, 1		X, 2
Three UDIMMs	X, 3	X, 1		X, 2
Four UDIMMs	X, 3	X, 1	X, 4	X, 2

To install or replace a memory module, do the following:

1. Remove all media from the drives and turn off all attached devices and the computer. Then, disconnect all power cords from electrical outlets and disconnect all cables that are connected to the computer.
2. Remove the computer cover. See “Removing the computer cover” on page 83.
3. Lay the computer on its side for easier access to the system board.
4. Locate the memory slots. See “Locating parts on the system board” on page 72.

5. Remove any parts that might prevent your access to the memory slots. Depending on your computer model, you might need to remove the PCI Express x16 graphics card for easier access to the memory slots. See “Installing or replacing a PCI card” on page 85.
6. Depending on whether you are installing or replacing a memory module, do one of the following:
 - If you are replacing an old memory module, open the retaining clips and gently pull the memory module out of the memory slot.

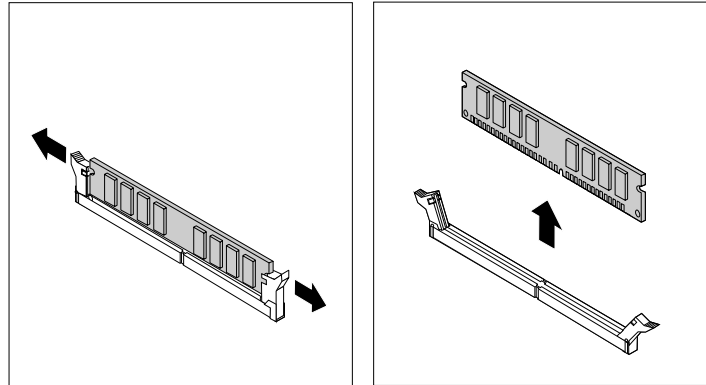


Figure 17. Removing a memory module

- If you are installing a memory module, open the retaining clips of the memory slot into which you want to install the memory module.

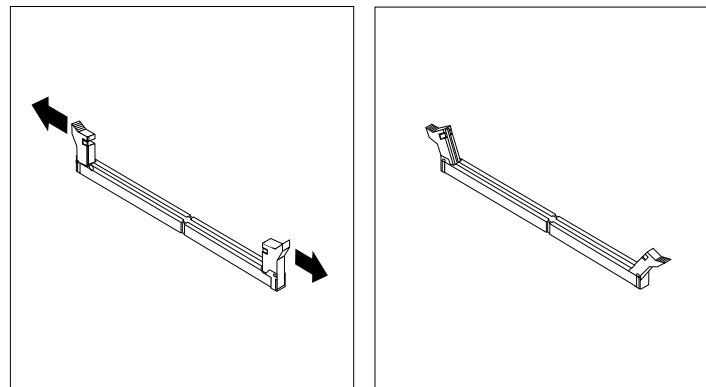


Figure 18. Opening the retaining clips

7. Position the new memory module over the memory slot. Ensure that the notch **1** on the memory module aligns correctly with the slot key **2** on the system board. Push the memory module straight down into the slot until the retaining clips close.

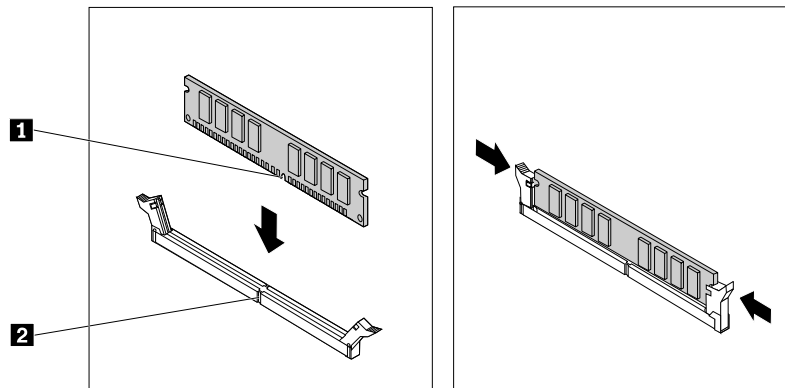


Figure 19. Installing a memory module

8. Reinstall the PCI Express x16 graphics card if you have removed it.

What to do next:

- To work with another piece of hardware, go to the appropriate section.
- To complete the installation or replacement, go to “Completing the parts replacement” on page 142.

Installing or replacing a device in the optical drive bay

Important: Before you replace any FRU, be sure to read and understand Chapter 1 “Safety information” on page 1.

The optical drive bays support the following two devices. Depending on your computer model, one or both of them might be installed:

- Optical drive
- 5.25-inch flex module equipped with some or all of the following components:
 - Slim optical drive
 - Card reader
 - eSATA connector
 - IEEE 1394 connector

For detailed information about the installation and replacement of devices in the 5.25-inch flex module, see “Installing or replacing a device in the 5.25-inch flex module” on page 93.

This section provides instructions on how to install or replace an optical drive.

Note: The following instructions also apply to a flex module.

To install or replace an optical drive, do the following:

1. Remove all media from the drives and turn off all attached devices and the computer. Then, disconnect all power cords from electrical outlets and disconnect all cables that are connected to the computer.
2. Remove the computer cover. See “Removing the computer cover” on page 83.
3. Remove the front bezel. See “Removing and reinstalling the front bezel” on page 84.

4. If you are installing an optical drive, do the following:
 - a. Remove the metal static shield from the desired drive bay.
 - b. Locate the optical drive retainer from the left side of the computer. Push the retainer downwards to unlock the retainer. Then lift the retainer out of the chassis.

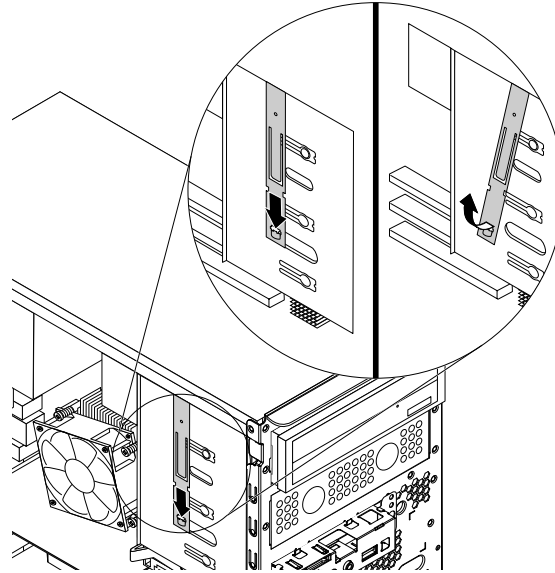


Figure 20. Removing the optical drive retainer from the computer

- If you are replacing an optical drive, do the following:
- a. Disconnect cables from the rear of the optical drive, press the release button **1**, and then slide the optical drive out of the front of the computer.

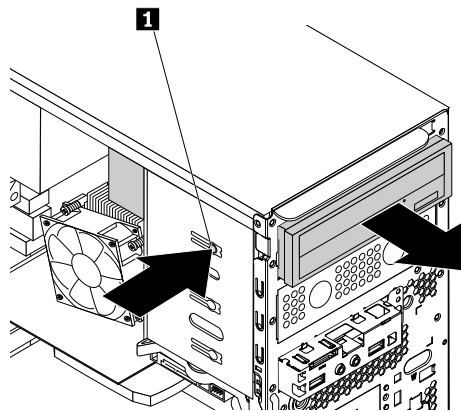


Figure 21. Removing the optical drive

- b. Remove the optical drive retainer from the left side of the optical drive.

5. Install the optical drive retainer onto the left side of the new optical drive.

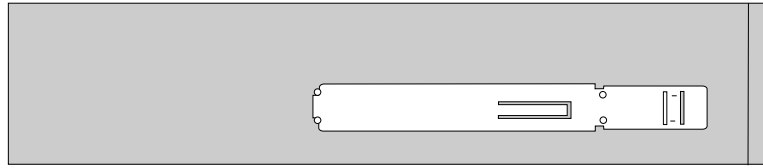


Figure 22. Installing the optical drive retainer

6. Slide the new optical drive into the drive bay from the front of the computer until the optical drive snaps into position.

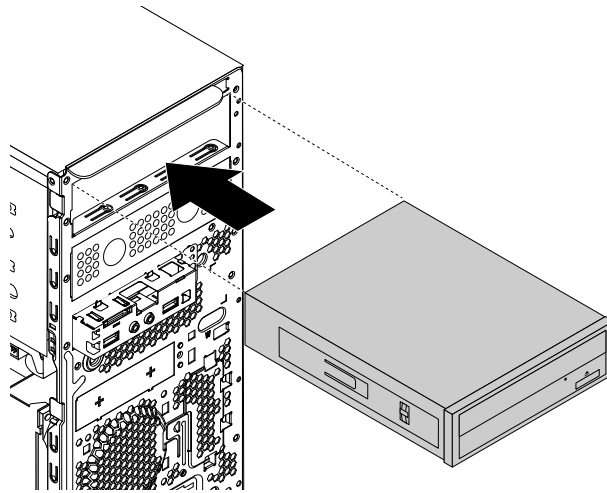


Figure 23. Installing the optical drive

7. Connect any required cables. For the optical drive, connect the power cable and the signal cable to the rear of the optical drive.

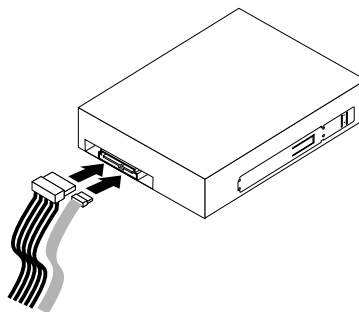


Figure 24. Connecting the cables to the rear of the new optical drive

What to do next:

- To work with another piece of hardware, go to the appropriate section.
- To complete the installation or replacement, go to “Completing the parts replacement” on page 142.

Installing or replacing a device in the 5.25-inch flex module

Important: Before you replace any FRU, be sure to read and understand Chapter 1 “Safety information” on page 1.

This section provides instructions on how to a device in the 5.25-inch flex module. Installing and replacing a device in the 5.25-inch flex module involves the following operations:

- “Installing or replacing a slim optical drive in the flex module” on page 93
- “Installing or replacing a card reader in the flex module” on page 95
- “Installing or replacing an eSATA connector or IEEE 1394 connector in the flex module” on page 97

Installing or replacing a slim optical drive in the flex module

To install or replace a slim optical drive in the flex module, do the following:

1. Slide the flex module out of the front of the computer. See “Installing or replacing a device in the optical drive bay” on page 90.
2. Lift the clip on the side of the flex module upward and slide the flex module cover to the rear of the flex module to remove the cover.

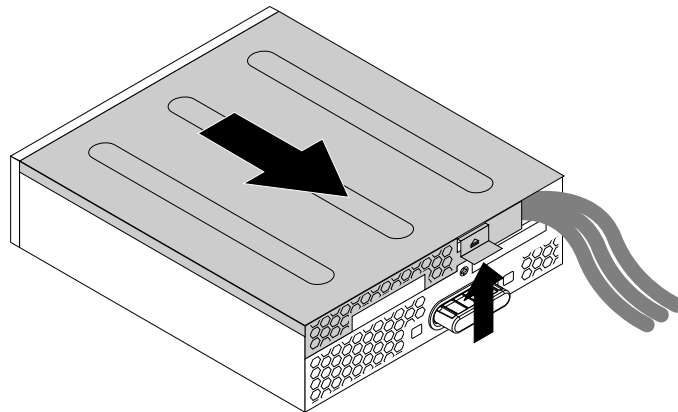


Figure 25. Removing the flex module cover

3. If you are replacing an old slim optical drive, do the following:
 - a. press the tab as shown to remove the slim optical drive out of the flex module.

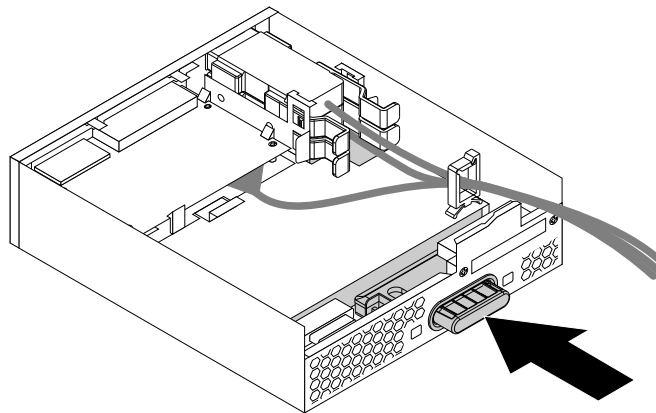


Figure 26. Removing the slim optical drive in the flex module

- b. Remove the screws that secure the clip to remove the clip from the side of the slim optical drive.

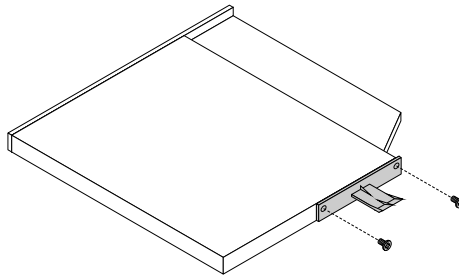


Figure 27. Removing the clip of the slim optical drive in the flex module

4. Install the screws to secure the clip on the side of the new slim optical drive.

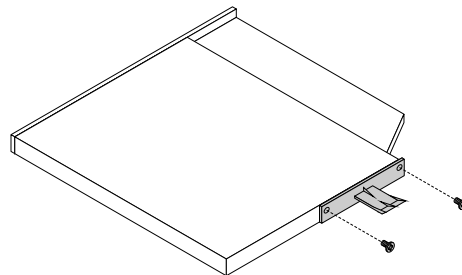


Figure 28. Installing the clip of the slim optical drive in the flex module

5. Slide the new slim optical drive with the clip into the flex module until the slim optical drive snaps into position.

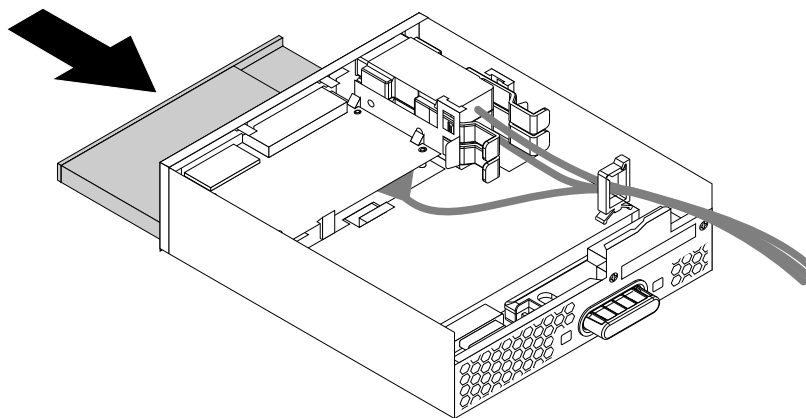


Figure 29. Installing the slim optical drive in the flex module

6. Position the flex module cover on the flex module so that the rail guides on the bottom of the flex module cover engage the rails on the flex module. Then, push the cover to the front of the flex module until it snaps into position.

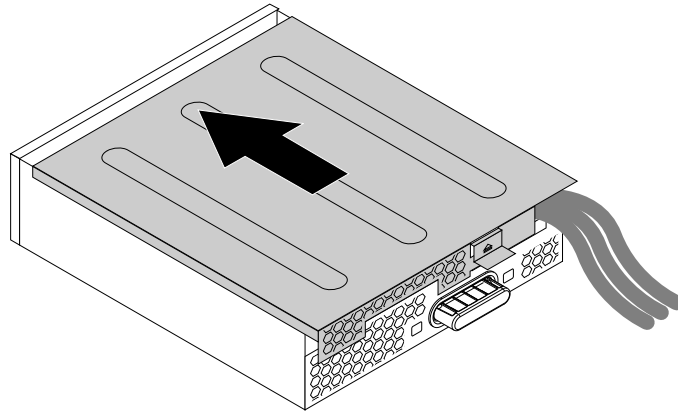


Figure 30. Reinstalling the flex module cover

What to do next:

- To work with another piece of hardware, go to the appropriate section.
- To complete the installation or replacement, go to “Completing the parts replacement” on page 142.

Installing or replacing a card reader in the flex module

To install or replace a card reader in the flex module, do the following:

1. Slide the flex module out of the front of the computer. See “Installing or replacing a device in the optical drive bay” on page 90.
2. Lift the clip on the side of the flex module upward and slide the flex module cover to the rear of the flex module to remove the cover.

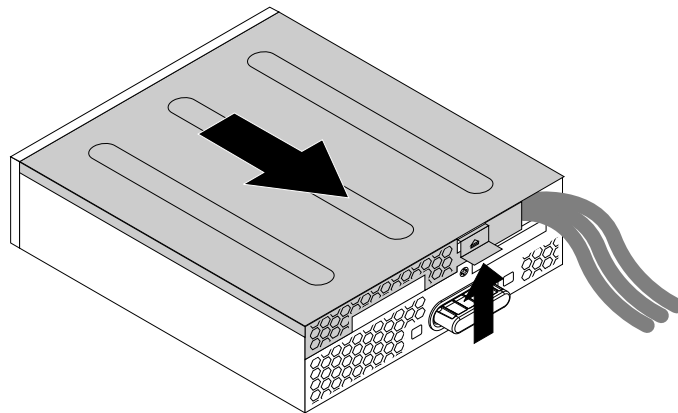


Figure 31. Removing the flex module cover

3. If you are replacing a card reader, do the following:
 - a. Disconnect the card reader cable from the system board. See “Locating parts on the system board” on page 72.

- b. Pull the clip as shown to remove the card reader with the card reader retaining bracket out of the flex module.

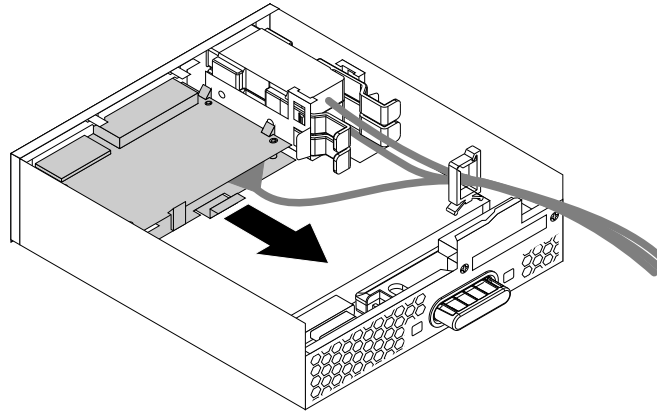


Figure 32. Removing the card reader in the flex module

- c. Flex the four clips on the sides of the card reader retaining bracket to remove the card reader from the bracket.

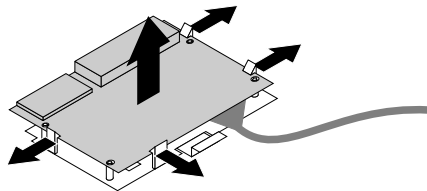


Figure 33. Removing the card reader from the card reader retaining bracket

4. To install the a new card reader into the card reader retaining bracket, align the four holes in the card reader with the corresponding studs on the bracket and then press the new card reader downward until it snaps into position.

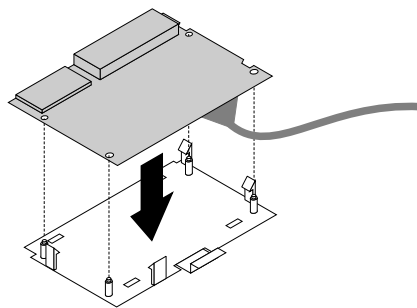


Figure 34. Installing the card reader into the card reader retaining bracket

5. Note the orientation of the new card reader and route the card reader cable into the cable clip. Hold the clip on the card reader retaining bracket to insert the new card reader into the card reader slot in flex module until it snaps into position.

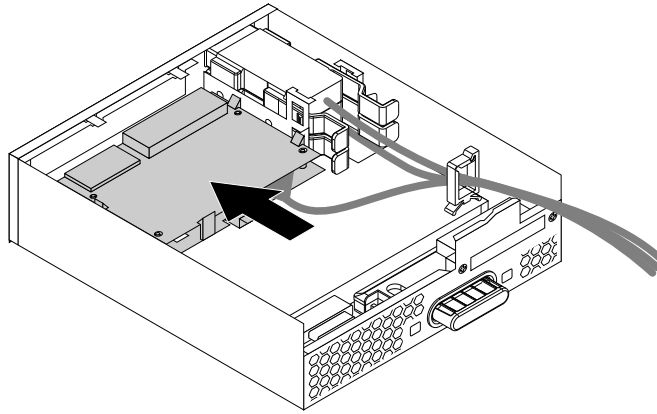


Figure 35. Installing the card reader in the flex module

6. Position the flex module cover on the flex module so that the rail guides on the bottom of the flex module cover engage the rails on the flex module. Then, push the cover to the front of the flex module until it snaps into position.

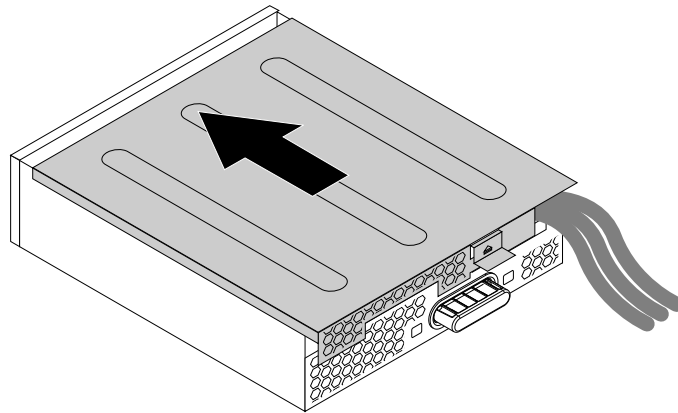


Figure 36. Reinstalling the flex module cover

7. Connect the card reader cable to the USB 2.0 connector or card reader connector on the system board. See “Locating parts on the system board” on page 72.

What to do next:

- To work with another piece of hardware, go to the appropriate section.
- To complete the installation or replacement, go to “Completing the parts replacement” on page 142.

Installing or replacing an eSATA connector or IEEE 1394 connector in the flex module

To install or replace an eSATA connector or IEEE 1394 connector in the flex module, do the following:

1. Slide the flex module out of the front of the computer. See “Installing or replacing a device in the optical drive bay” on page 90.

2. Lift the clip on the side of the flex module upward and slide the flex module cover to the rear of the flex module to remove the cover.

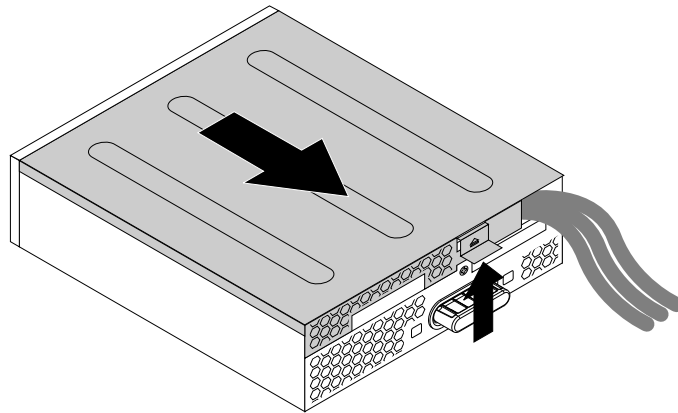


Figure 37. Removing the flex module cover

3. If you are replacing an eSATA connector or IEEE 1394 connector, do the following:
 - a. Disconnect the eSATA connector or IEEE 1394 connector cable from the system board. See “Locating parts on the system board” on page 72.
 - b. Press the two clips toward each other as shown to pull the eSATA connector or IEEE 1394 connector out of the flex module.

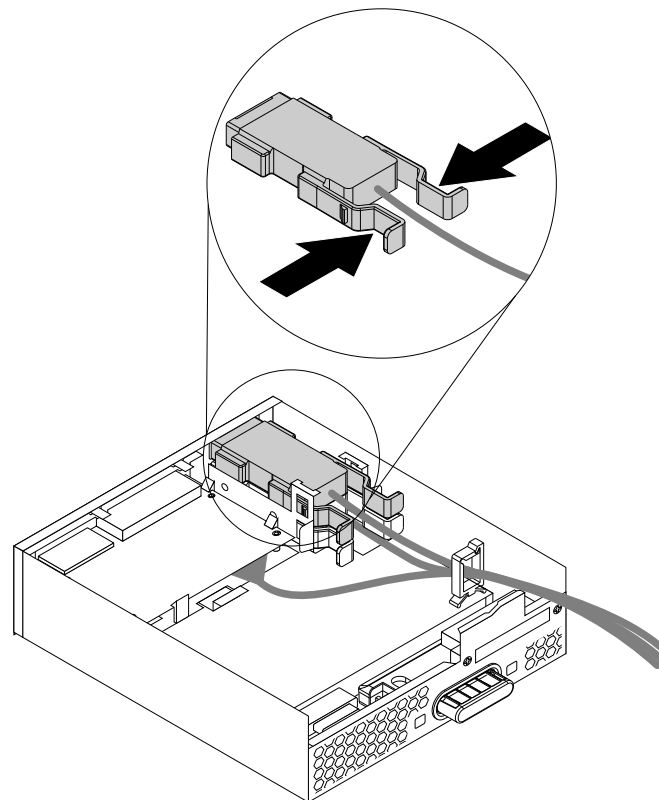


Figure 38. Removing the eSATA connector or IEEE 1394 connector in the flex module

4. Note the orientation of the eSATA connector or IEEE 1394 connector and route the eSATA connector or IEEE 1394 connector cable into the cable clip.
5. Place the eSATA connector or IEEE 1394 connector into the metal retainer. Then insert the eSATA connector or IEEE 1394 connector into the corresponding slot in the flex module as shown.

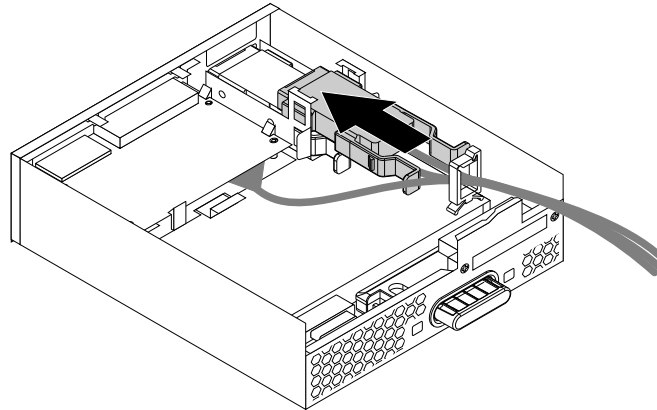


Figure 39. Installing the eSATA connector or IEEE 1394 connector in the flex module

6. Position the flex module cover on the flex module so that the rail guides on the bottom of the flex module cover engage the rails on the flex module. Then, push the cover to the front of the flex module until it snaps into position.

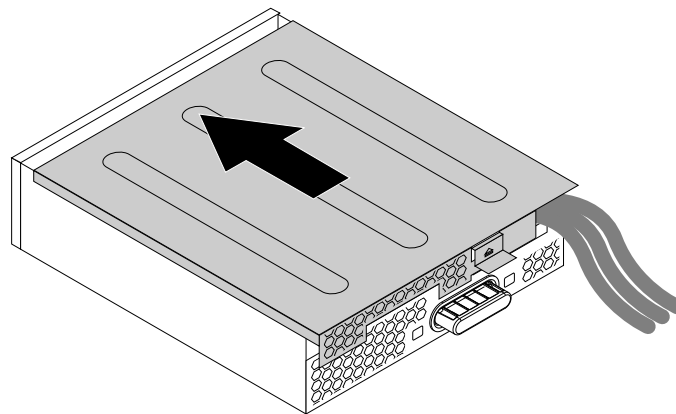


Figure 40. Reinstalling the flex module cover

7. Connect the eSATA connector or IEEE 1394 connector cable to the corresponding connector on the system board. See “Locating parts on the system board” on page 72.

What to do next:

- To work with another piece of hardware, go to the appropriate section.
- To complete the installation or replacement, go to “Completing the parts replacement” on page 142.

Replacing the front audio and USB assembly

Important: Before you replace any FRU, be sure to read and understand Chapter 1 “Safety information” on page 1.

To replace the front audio and USB assembly, do the following:

1. Remove all media from the drives and turn off all attached devices and the computer. Then, disconnect all power cords from electrical outlets and disconnect all cables that are connected to the computer.
2. Remove the computer cover. See “Removing the computer cover” on page 83.
3. Remove the front bezel. See “Removing and reinstalling the front bezel” on page 84.
4. Locate the front audio and USB assembly. See “Locating major FRUs and CRUs” on page 69.
5. Note the cable routing and connection. Then, disconnect the front audio and USB assembly cables from the system board. See “Locating parts on the system board” on page 72.
6. Remove the screw that secures the front audio and USB assembly and slide the front audio and USB assembly to the right as shown to remove it from the chassis.

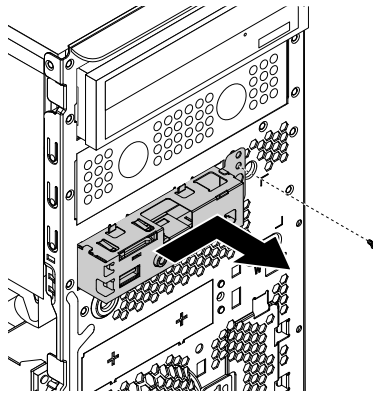


Figure 41. Removing the front audio and USB assembly

7. Route the cables of the new front audio and USB assembly through the corresponding square hole in the front of the chassis. Then position the new front audio and USB assembly into the chassis and slide it to the left as shown. Install the screw to secure the new front audio and USB assembly in place.

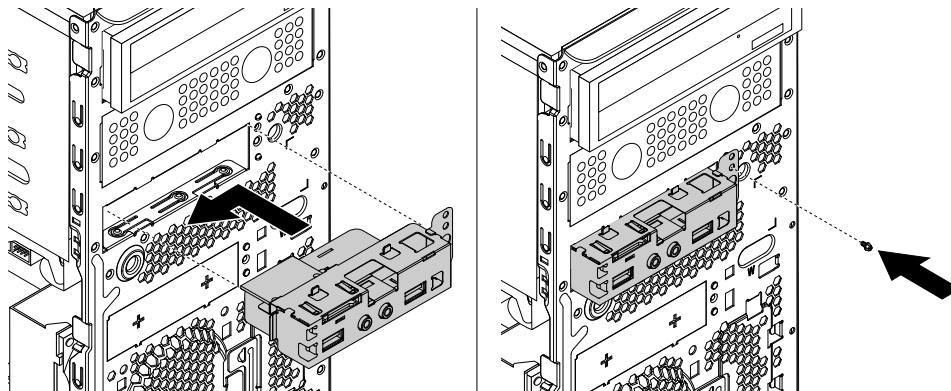


Figure 42. Installing the front audio and USB assembly

8. Connect the cables of the new front audio and USB assembly to the front audio connector and the front USB 3.0 connector on the system board. See “Locating parts on the system board” on page 72.

What to do next:

- To work with another piece of hardware, go to the appropriate section.
- To complete the installation or replacement, go to “Completing the parts replacement” on page 142.

Installing or replacing the card reader

Important: Before you replace any FRU, be sure to read and understand Chapter 1 “Safety information” on page 1.

Note: The card reader is only available in some models. For new installation, see “Installing the card reader” on page 101. For replacement, see “Replacing the card reader” on page 101.

Installing the card reader

To install the card reader, do the following:

1. Remove all media from the drives and turn off all attached devices and the computer. Then, disconnect all power cords from electrical outlets and disconnect all cables that are connected to the computer.
2. Remove the computer cover. See “Removing the computer cover” on page 83.
3. Remove the front bezel. See “Removing and reinstalling the front bezel” on page 84.
4. Remove the front audio and USB assembly. See “Replacing the front audio and USB assembly” on page 99.
5. Install the card reader into the card reader slot from the rear of the front audio and USB assembly. Then install the two screws to secure the card reader.

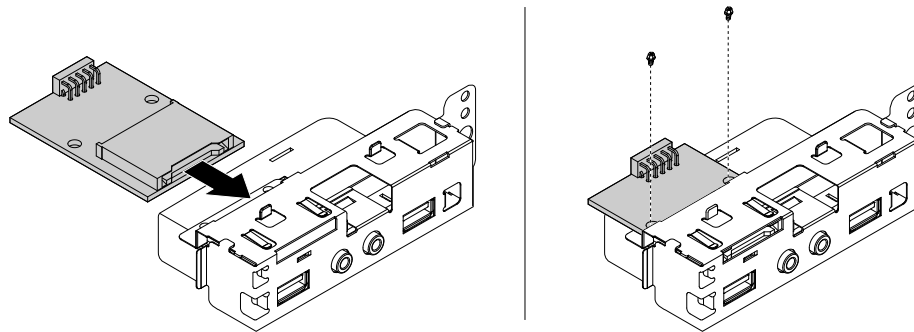


Figure 43. Installing the card reader

6. Install the front audio and USB assembly into the chassis. See “Replacing the front audio and USB assembly” on page 99
7. Connect the card reader cable to the USB 2.0 connector or card reader connector on the system board. See “Locating parts on the system board” on page 72.
8. Reinstall the front bezel. See “Removing and reinstalling the front bezel” on page 84.

What to do next:

- To work with another piece of hardware, go to the appropriate section.
- To complete the installation or replacement, go to “Completing the parts replacement” on page 142.

Replacing the card reader

Important: Before you replace any FRU, be sure to read and understand Chapter 1 “Safety information” on page 1.

Note: The card reader is only available in some models. If there is a card reader slot on your computer, the card reader has been installed in the slot.

To replace the card reader, do the following:

1. Remove all media from the drives and turn off all attached devices and the computer. Then, disconnect all power cords from electrical outlets and disconnect all cables that are connected to the computer.

2. Remove the computer cover. See “Removing the computer cover” on page 83.
3. Remove the front bezel. See “Removing and reinstalling the front bezel” on page 84.
4. Locate the card reader. See “Locating connectors, controls, and indicators on the front of your computer” on page 67.
5. Disconnect the card reader cable from the system board. See “Locating parts on the system board” on page 72.
6. Remove the front audio and USB assembly. See “Replacing the front audio and USB assembly” on page 99.
7. Remove the two screws that secure the card reader. Then carefully pull out the card reader from the rear of the front audio and USB assembly.

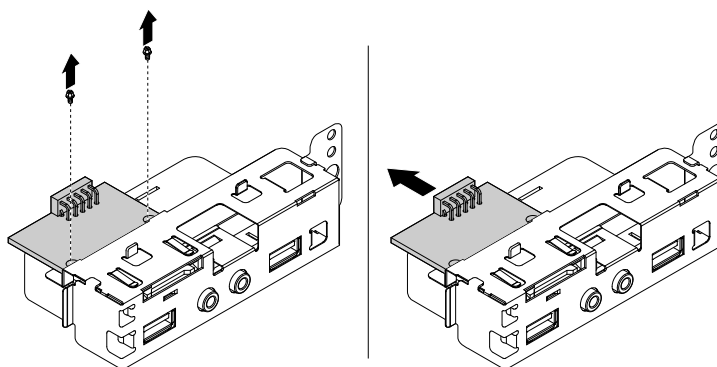


Figure 44. Removing the card reader

8. Install the new card reader into the card reader slot from the rear of the front audio and USB assembly. Then install the two screws to secure the card reader.

Note: Carefully handle the card reader by its edges.

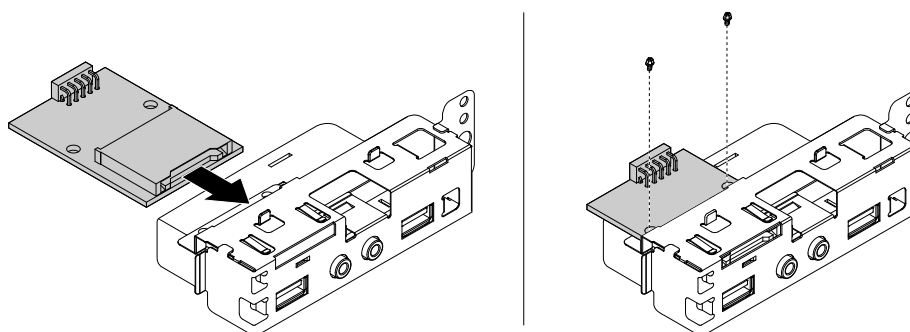


Figure 45. Installing the new card reader

9. Install the front audio and USB assembly into the chassis. See “Replacing the front audio and USB assembly” on page 99.
10. Connect the card reader cable to the USB 2.0 connector or card reader connector on the system board. See “Locating parts on the system board” on page 72.
11. Reinstall the front bezel. See “Removing and reinstalling the front bezel” on page 84.

What to do next:

- To work with another piece of hardware, go to the appropriate section.

- To complete the installation or replacement, go to “Completing the parts replacement” on page 142.

Replacing the battery

Important: Before you replace any FRU, be sure to read and understand Chapter 1 “Safety information” on page 1.

Your computer has a special type of memory that maintains the date, time, and settings for built-in features, such as parallel-connector assignments (configuration). A battery keeps this information active when you turn off the computer.

The battery normally requires no charging or maintenance throughout its life; however, no battery lasts forever. If the battery fails, the date, time, and configuration information (including passwords) are lost. An error message is displayed when you turn on the computer.

Refer to the “Lithium coin cell battery notice” in the *Safety, Warranty, and Setup Guide* for information about replacing and disposing of the battery.

To replace the battery, do the following:

1. Remove all media from the drives and turn off all attached devices and the computer. Then, disconnect all power cords from electrical outlets and disconnect all cables that are connected to the computer.
2. Remove the computer cover. See “Removing the computer cover” on page 83.
3. Remove the heat sink and fan assembly for easier access to the battery. See “Replacing the heat sink and fan assembly” on page 105.
4. Locate the battery. See “Locating parts on the system board” on page 72.
5. Remove the old battery.

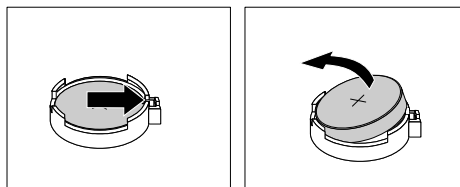


Figure 46. Removing the old battery

6. Install a new battery.

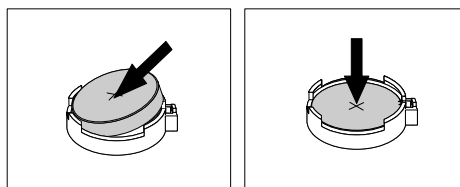


Figure 47. Installing a new battery

7. Reinstall the heat sink and fan assembly. See “Replacing the heat sink and fan assembly” on page 105.
8. Reinstall the computer cover and connect the cables. See “Completing the parts replacement” on page 142.

Note: When the computer is turned on for the first time after replacing the battery, an error message might be displayed. This is normal after replacing the battery.

9. Turn on the computer and all attached devices.
10. Use the Setup Utility program to set the date, time, and any passwords. See “Using the Setup Utility program” on page 53.

What to do next:

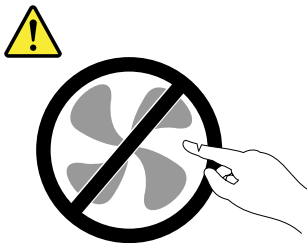
- To work with another piece of hardware, go to the appropriate section.
- To complete the installation or replacement, go to “Completing the parts replacement” on page 142.

Replacing the power supply assembly

Important: Before you replace any FRU, be sure to read and understand Chapter 1 “Safety information” on page 1.

Although there are no moving parts in your computer after the power cord has been disconnected, the following warnings are required for your safety and proper Underwriters Laboratories (UL) certification.

CAUTION:



Hazardous moving parts. Keep fingers and other body parts away.

CAUTION:

Never remove the cover on a power supply or any part that has the following label attached.



Hazardous voltage, current, and energy levels are present inside any component that has this label attached. There are no serviceable parts inside these components. If you suspect a problem with one of these parts, contact a service technician.

To replace the power supply assembly, do the following:

1. Remove all media from the drives and turn off all attached devices and the computer. Then, disconnect all power cords from electrical outlets and disconnect all cables that are connected to the computer.
2. Remove the computer cover. See “Removing the computer cover” on page 83.
3. Disconnect the power supply assembly cables from the system board and all drives. See “Locating parts on the system board” on page 72.
4. Release the power supply assembly cables from the cable clips and ties in the chassis.

5. Lay the computer on its side and remove the four screws at the rear of the chassis that secure the power supply assembly.

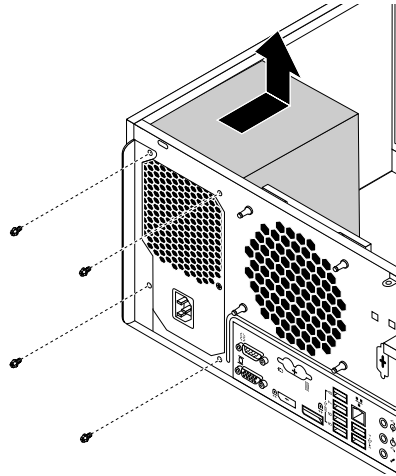


Figure 48. Removing the screws for the power supply assembly

6. Slide the power supply assembly to the front of the computer and then lift it out of the chassis.
7. Ensure that the new power supply assembly is the correct replacement.
8. Install the new power supply assembly into the chassis so that the screw holes in the power supply assembly align with those in the chassis.
9. Install and tighten the four screws to secure the power supply assembly.

Note: Use only screws provided by Lenovo.

10. Reconnect the power supply assembly cables to the system board and each of the drives.
11. Secure the power supply assembly cables with the cable clips and ties in the chassis.

What to do next:

- To work with another piece of hardware, go to the appropriate section.
- To complete the installation or replacement, go to “Completing the parts replacement” on page 142.

Replacing the heat sink and fan assembly

Important: Before you replace any FRU, be sure to read and understand Chapter 1 “Safety information” on page 1.

CAUTION:



The heat sink and fan assembly might be very hot. Before you open the computer cover, turn off the computer and wait several minutes until the computer is cool.

To replace the heat sink and fan assembly, do the following:

1. Remove all media from the drives and turn off all attached devices and the computer. Then, disconnect all power cords from electrical outlets and disconnect all cables that are connected to the computer.
2. Remove the computer cover. See “Removing the computer cover” on page 83.
3. Lay the computer on its side for easier access to the system board.
4. Locate the heat sink and fan assembly. See “Locating parts on the system board” on page 72.

5. Disconnect the heat sink and fan assembly cable from the microprocessor fan connector on the system board. See “Locating parts on the system board” on page 72.
6. Follow the following sequence to remove the four screws that secure the heat sink and fan assembly to the system board:
 - a. Partially remove screw **1**, then fully remove screw **2**, and then fully remove screw **1**.
 - b. Partially remove screw **3**, then fully remove screw **4**, and then fully remove screw **3**.

Note: Carefully remove the four screws from the system board to avoid any possible damage to the system board. The four screws cannot be removed from the heat sink and fan assembly.

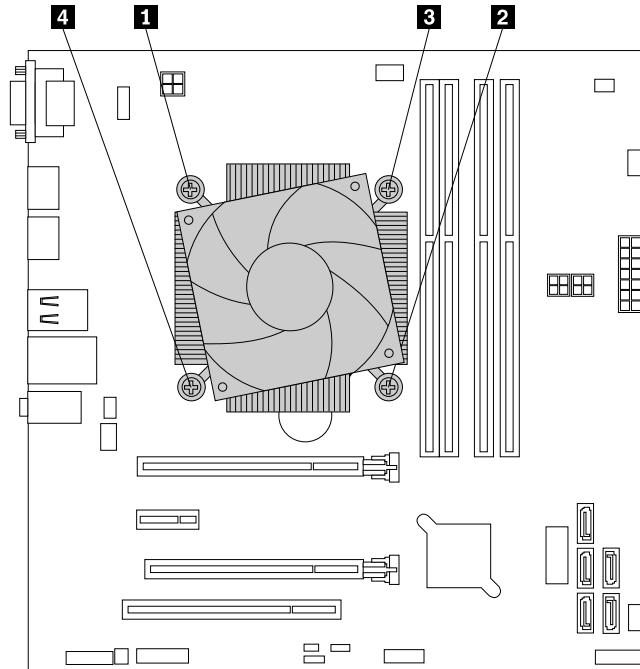


Figure 49. Removing the heat sink and fan assembly

7. Lift the failing heat sink and fan assembly off the system board.

Notes:

- You might have to gently twist the heat sink and fan assembly to free it from the microprocessor.
- Do not touch the thermal grease while handling the heat sink and fan assembly.

8. Position the new heat sink and fan assembly on the system board so that the four screws are aligned with the holes on the system board.

Note: Position the new heat sink and fan assembly so that the heat sink and fan assembly cable is toward the microprocessor fan connector on the system board.

9. Follow the following sequence to install the four screws to secure the new heat sink and fan assembly. Do not over-tighten the screws.
 - a. Partially tighten screw **1**, then fully tighten screw **2**, and then fully tighten screw **1**.
 - b. Partially tighten screw **3**, then fully tighten screw **4**, and then fully tighten screw **3**.
10. Connect the heat sink and fan assembly cable to the microprocessor fan connector on the system board. See “Locating parts on the system board” on page 72.

What to do next:

- To work with another piece of hardware, go to the appropriate section.
- To complete the installation or replacement, go to “Completing the parts replacement” on page 142.

Replacing the internal speaker

Important: Before you replace any FRU, be sure to read and understand Chapter 1 “Safety information” on page 1.

This section provides instructions on how to replace the internal speaker.

Note: The internal speaker is only available in some models.

To replace the internal speaker, do the following:

1. Turn off the computer and disconnect all power cords from electrical outlets.
2. Remove the computer cover. See “Removing the computer cover” on page 83.
3. Locate the internal speaker connector on the system board. See “Locating parts on the system board” on page 72.
4. Disconnect the internal speaker cable from the system board.
5. Push the metal tab **1** on the right side of the internal speaker and slide the internal speaker toward the right to completely remove it from the chassis.

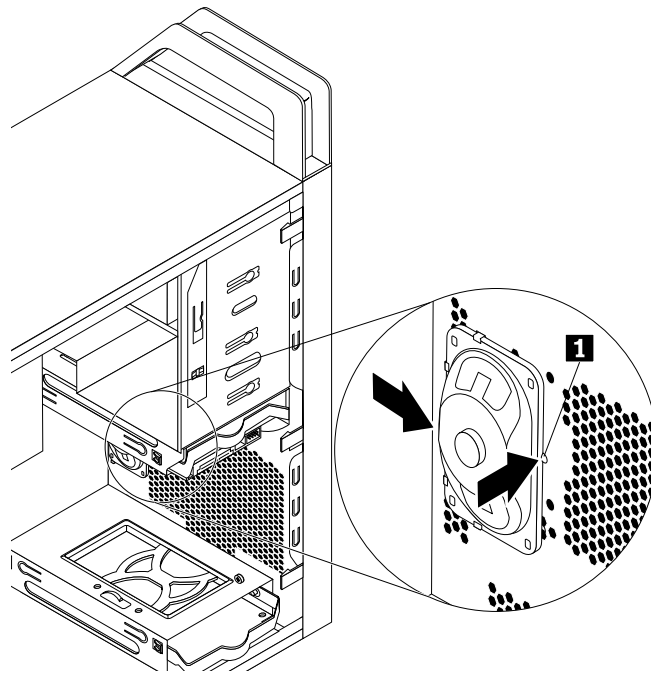


Figure 50. Removing the old internal speaker

6. Position the new internal speaker into the four metal clips **1** and push the internal speaker toward the left until it is secured in place.

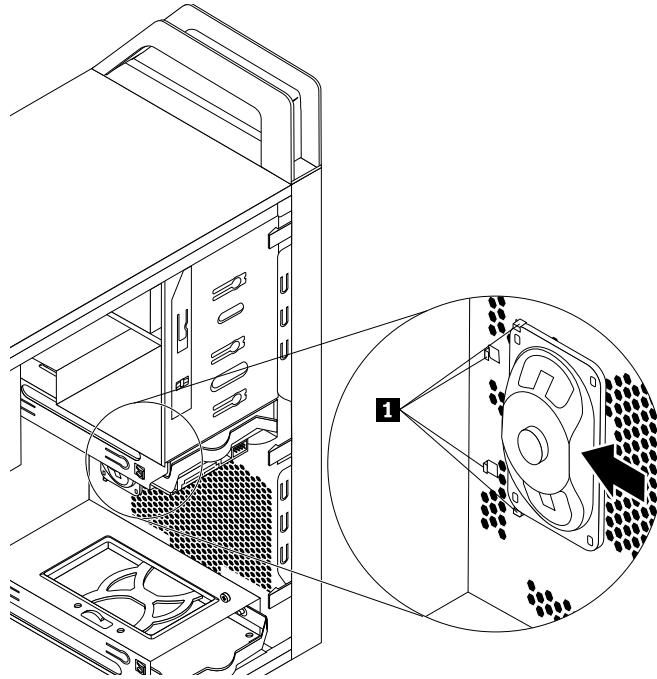


Figure 51. Installing a new internal speaker

7. Connect the internal speaker cable to the system board. See “Locating parts on the system board” on page 72.

What to do next:

- To work with another piece of hardware, go to the appropriate section.
- To complete the installation or replacement, go to “Completing the parts replacement” on page 142.

Replacing the thermal sensor

Important: Before you replace any FRU, be sure to read and understand Chapter 1 “Safety information” on page 1.

This section provides instructions on how to replace the thermal sensor.

To replace the thermal sensor, do the following:

1. Turn off the computer and disconnect all power cords from electrical outlets.
2. Remove the computer cover. See “Removing the computer cover” on page 83.
3. Remove the front bezel. See “Removing and reinstalling the front bezel” on page 84.
4. Locate the thermal sensor. See “Locating major FRUs and CRUs” on page 69.
5. Disconnect the thermal sensor cable from the thermal sensor connector on the system board. See “Locating parts on the system board” on page 72.

6. From inside the chassis, pivot the upper retaining clip **1** that secures the plastic holder of the thermal sensor downward and then push the clip outward to release the clip. Then disengage the plastic holder holding the thermal sensor from the chassis.

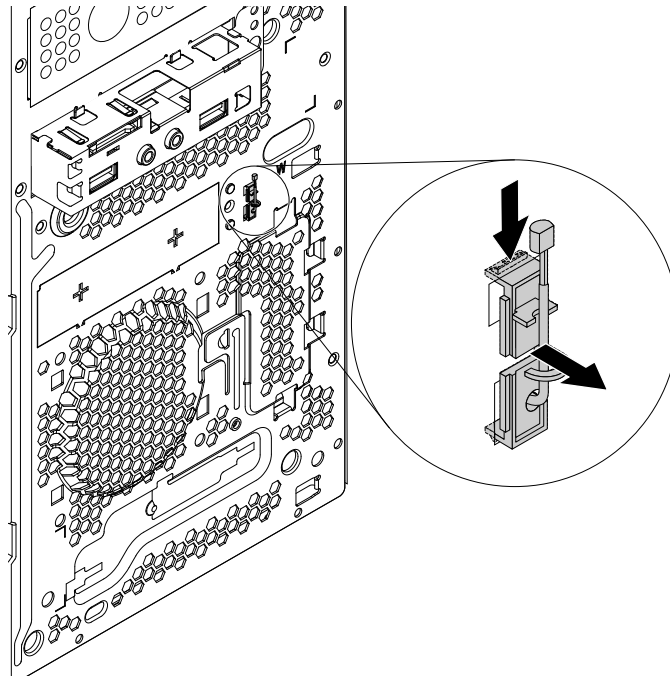


Figure 52. Removing the thermal sensor

7. Pull the entire thermal sensor out of the chassis.

8. Insert the connector and cable of the new thermal sensor into the lower hole **1** in the chassis. Then align the two tabs on the plastic holder holding the thermal sensor with the two holes **1** and **2** in the chassis, and push the plastic holder until it snaps into position.

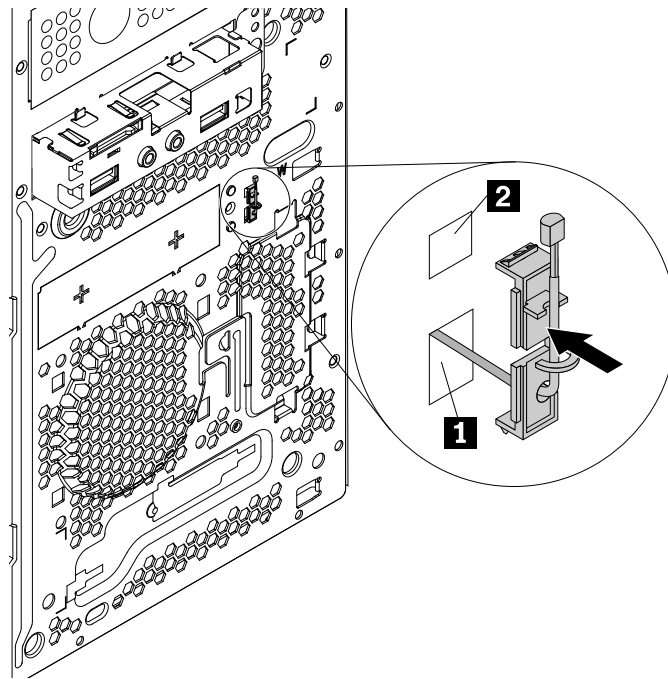


Figure 53. Installing the new thermal sensor

9. Reconnect the thermal sensor cable to the system board. See “Locating parts on the system board” on page 72.
10. Reinstall the front bezel. See “Removing and reinstalling the front bezel” on page 84.

What to do next:

- To work with another piece of hardware, go to the appropriate section.
- To complete the installation or replacement, go to “Completing the parts replacement” on page 142.

Replacing the microprocessor

Important: Before you replace any FRU, be sure to read and understand Chapter 1 “Safety information” on page 1.

This section provides instructions on how to replace the microprocessor.

CAUTION:



The heat sink and microprocessor might be very hot. Before you open the computer cover, turn off the computer and wait several minutes until the computer is cool.

To replace the microprocessor, do the following:

1. Remove all media from the drives and turn off all attached devices and the computer. Then, disconnect all power cords from electrical outlets and disconnect all cables that are connected to the computer.
2. Remove the computer cover. See “Removing the computer cover” on page 83.

3. Lay the computer on its side for easier access to the system board.
4. Locate the system board and disconnect all cables connected to the system board. See “Locating parts on the system board” on page 72.
5. Remove the heat sink and fan assembly. See “Replacing the heat sink and fan assembly” on page 105.

Note: Place the heat sink and fan assembly on its side so that the thermal grease on the bottom of it does not get in contact with anything.

6. Lift the small handle **1** and open the retainer **2** to access the microprocessor **3**.

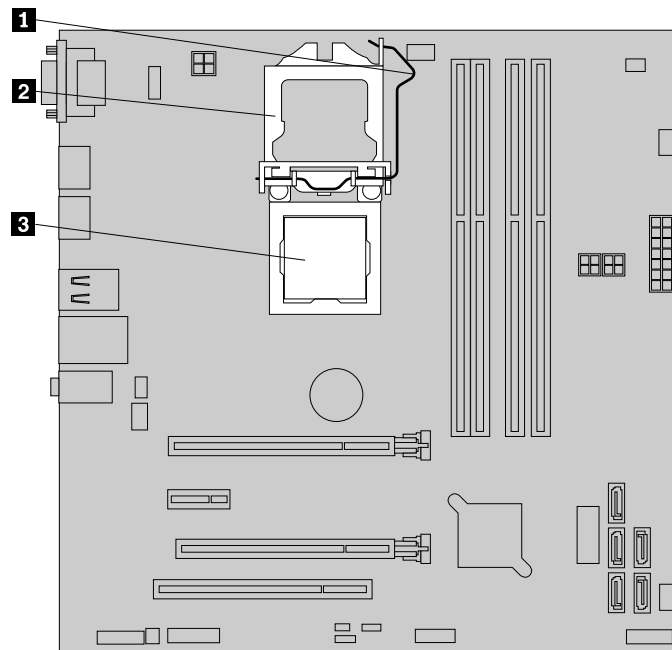


Figure 54. Accessing the microprocessor

7. Lift the microprocessor straight up and out of the microprocessor socket.

Notes:

- Your microprocessor and socket might look different from the one illustrated.
- Touch only the edges of the microprocessor. Do not touch the gold contacts on the bottom.
- Do not drop anything onto the microprocessor socket while it is exposed. The socket pins must be kept as clean as possible.

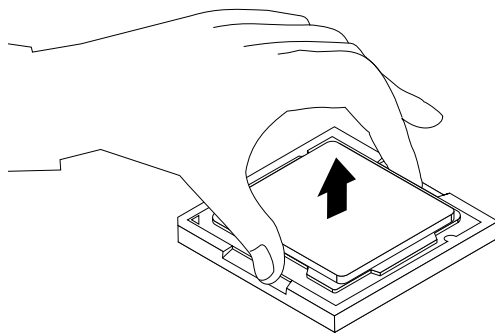


Figure 55. Removing the microprocessor

8. Ensure that the small handle is in the raised position and the microprocessor retainer is fully open.
9. Remove the protective cover that protects the gold contacts of the new microprocessor.
10. Note the orientation of the new microprocessor. Hold the new microprocessor by its edges and align the notches **1** on it with the tabs **2** in the microprocessor socket. Then, carefully lower the new microprocessor straight down into the microprocessor socket.

Note: The small triangle **3** on one corner of the new microprocessor is the microprocessor orientation indicator. The new microprocessor is in the correct orientation when this indicator points to the beveled corner **4** of the microprocessor socket.

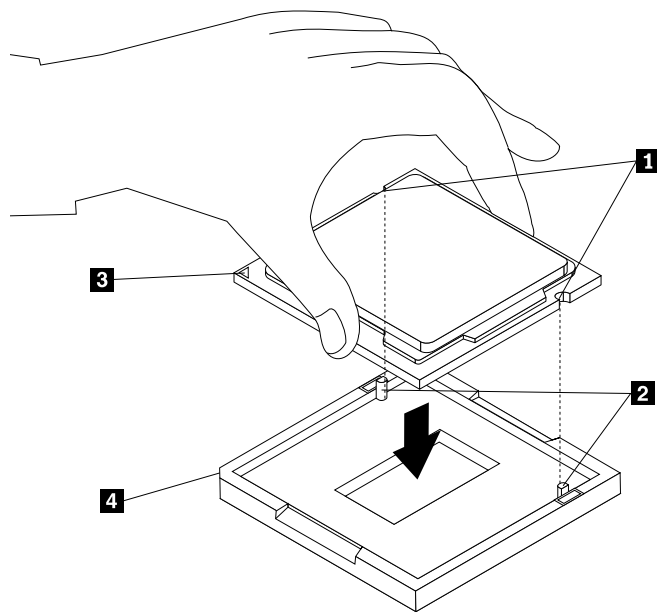


Figure 56. Installing the microprocessor

11. Close the microprocessor retainer and lock it into position with the small handle to secure the new microprocessor in the socket.
12. Reinstall the heat sink and fan assembly. See “Replacing the heat sink and fan assembly” on page 105.
13. Reconnect all cables that were disconnected from the system board.

What to do next:

- To work with another piece of hardware, go to the appropriate section.
- To complete the replacement, go to “Completing the parts replacement” on page 142.

Installing the solid-state drive

Important: Before you replace any FRU, be sure to read and understand Chapter 1 “Safety information” on page 1.

To install the solid-state drive, do the following:

1. Remove all media from the drives and turn off all attached devices and the computer. Then, disconnect all power cords from electrical outlets and disconnect all cables that are connected to the computer.
2. Install the solid-state drive into the storage converter shipped with the solid-state drive. Then install the four screws to secure the solid-state drive to the storage converter.

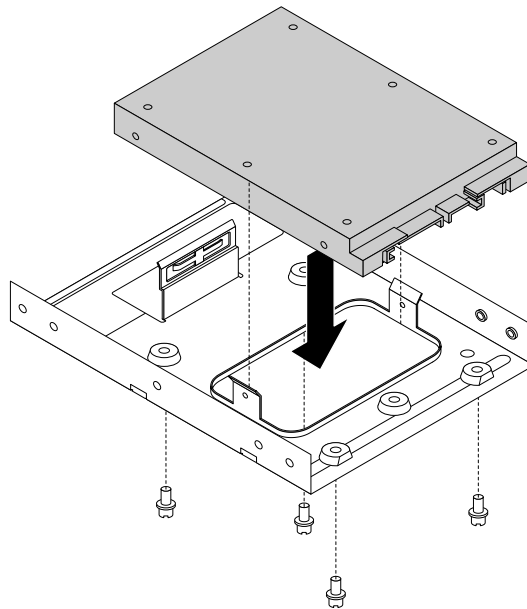


Figure 57. Installing the solid-state drive into the storage converter

3. Remove the 3.5-inch hard disk drive bracket for the chassis.
4. To install the storage converter together with the solid-state drive into the 3.5-inch hard disk drive bracket, flex the bracket and align pin **1**, pin **2**, pin **3**, and pin **4** on the bracket with the corresponding holes in the storage converter.

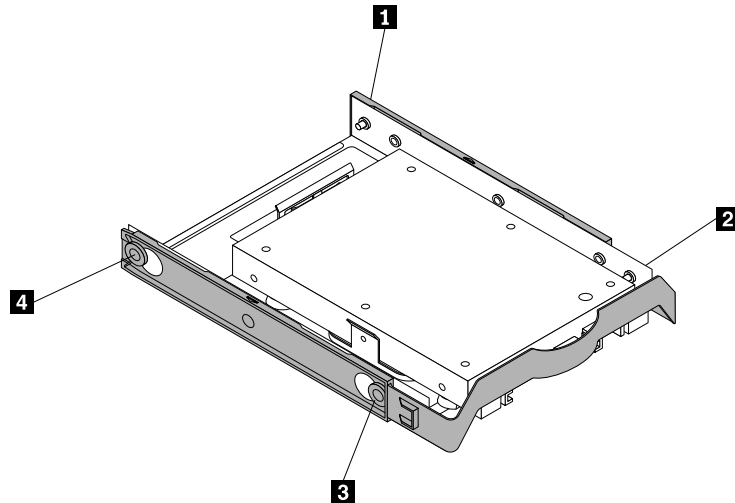


Figure 58. Installing the storage converter together with the solid-state drive into the hard disk drive bracket

5. Install the storage converter with the bracket into the desired hard-disk-drive bay. See “Replacing the primary hard disk drive” on page 118 or “Replacing the secondary hard disk drive” on page 119.
6. Connect the signal cable and the power cable to the solid-state drive.

What to do next:

- To work with another piece of hardware, go to the appropriate section.
- To complete the installation or replacement, go to “Completing the parts replacement” on page 142.

Installing or replacing the mSATA solid-state drive

The mSATA solid-state drive is only available on some models. This section provide the following instructions:

- “Installing the mSATA solid-state drive” on page 114
- “Replacing the mSATA solid-state drive” on page 116

Installing the mSATA solid-state drive

Important: Before you replace any FRU, be sure to read and understand Chapter 1 “Safety information” on page 1.

To install the mSATA solid-state drive, do the following:

1. Insert the mSATA solid-state drive into the mini PCI Express slot on the storage converter shipped with the mSATA solid-state drive, and then press the mSATA solid-state drive downward.

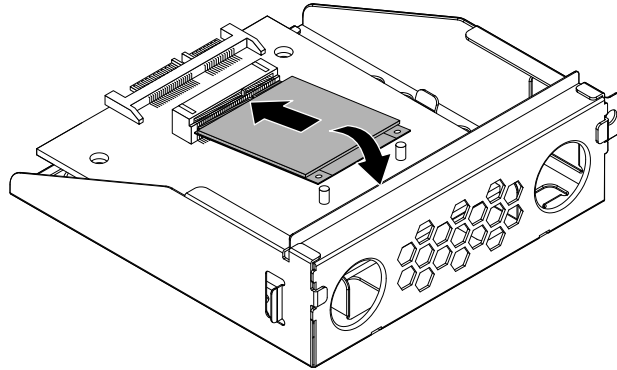


Figure 59. Installing the mSATA solid-state drive into the storage converter

2. Install the two screws to secure the mSATA solid-state drive to the storage converter.

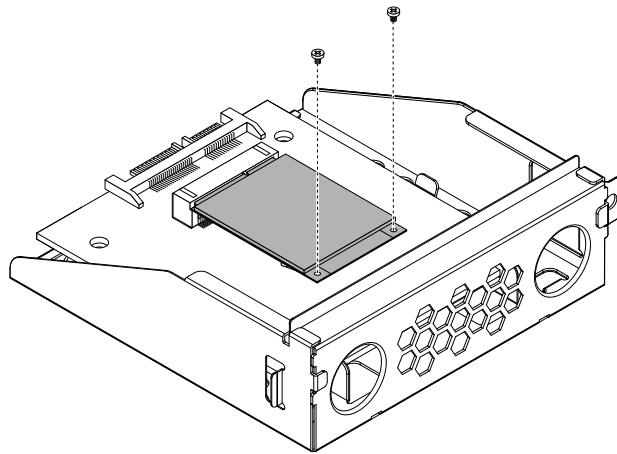


Figure 60. Installing the screws to secure the mSATA solid-state drive

3. Slide the storage converter into the mSATA solid-state drive bay until it snaps into position. Then install the screw to secure the storage converter to the chassis.

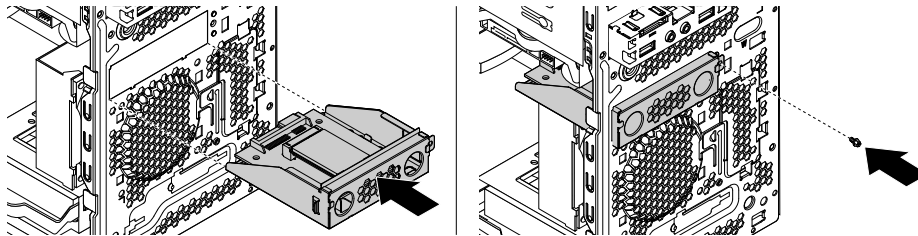


Figure 61. Installing the storage converter with mSATA solid-state drive into the chassis

4. Connect the signal cable and the power cable to the mSATA solid-state drive.

What to do next:

- To work with another piece of hardware, go to the appropriate section.
- To complete the installation or replacement, go to “Completing the parts replacement” on page 142.

Replacing the mSATA solid-state drive

Important: Before you replace any FRU, be sure to read and understand Chapter 1 “Safety information” on page 1.

To replace the mSATA solid-state drive, do the following:

1. Remove all media from the drives and turn off all attached devices and the computer. Then, disconnect all power cords from electrical outlets and disconnect all cables that are connected to the computer.
2. Remove the computer cover. See “Removing the computer cover” on page 83.
3. Remove the front bezel. See “Removing and reinstalling the front bezel” on page 84.
4. Locate the mSATA solid-state drive. See “Locating major FRUs and CRUs” on page 69.
5. Disconnect the signal cable and power cable from the mSATA solid-state drive.
6. Remove the screw that secures the storage converter for the mSATA solid-state drive. Then slide the storage converter out of the chassis.

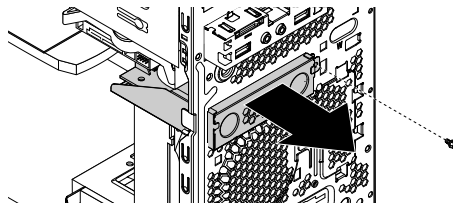


Figure 62. Removing the storage converter together with the installed mSATA solid-state drive

7. Remove the two screws that secure the mSATA solid-state drive from the storage converter.

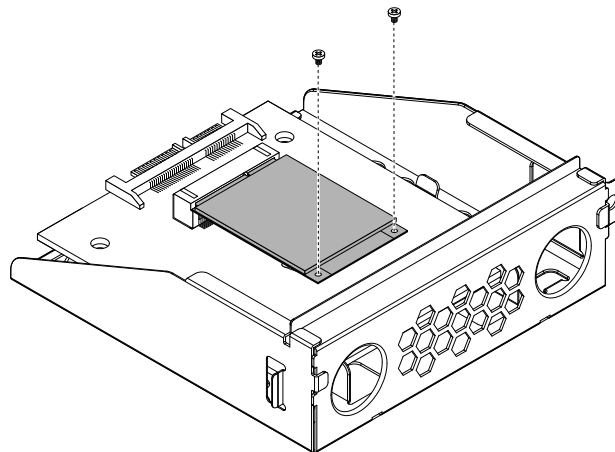


Figure 63. Removing the screws that secure the mSATA solid-state drive

- Remove the mSATA solid-state drive from the mini PCI Express slot on the storage converter.

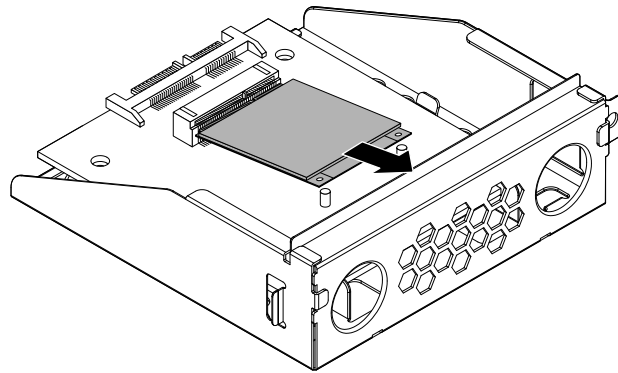


Figure 64. Removing the mSATA solid-state drive from the storage converter

- To install a new mSATA solid-state drive, insert the mSATA solid-state drive into the mini PCI Express slot on the storage converter, and then press the mSATA solid-state drive downward.

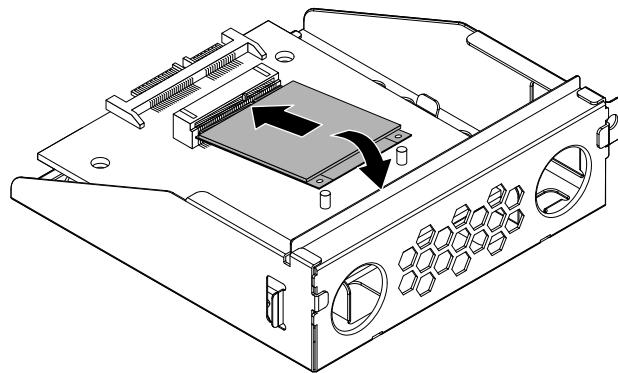


Figure 65. Installing the mSATA solid-state drive into the storage converter

- Install the two screws to secure the mSATA solid-state drive to the storage converter.

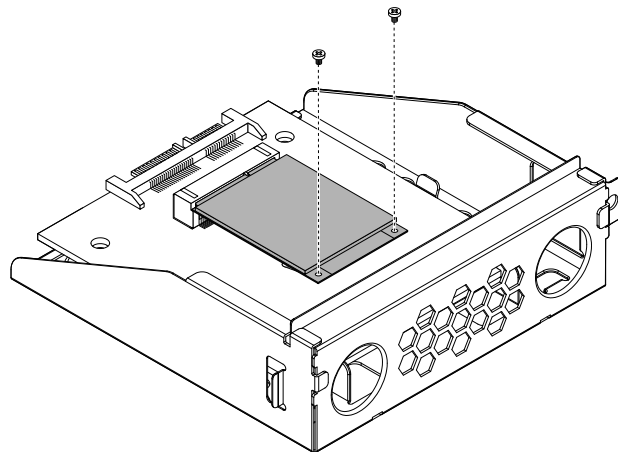


Figure 66. Installing the screws to secure the mSATA solid-state drive

11. Slide the storage converter with the new mSATA solid-state drive into the mSATA solid-state drive bay until it snaps into position. Then install the screw to secure the storage converter to the chassis.

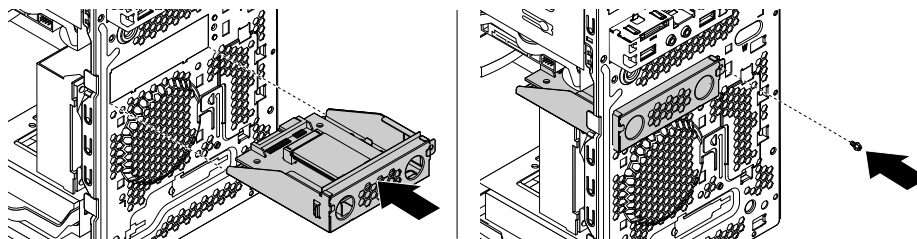


Figure 67. Installing the mSATA solid-state drive

12. Connect the signal cable and the power cable to the new mSATA solid-state drive.

What to do next:

- To work with another piece of hardware, go to the appropriate section.
- To complete the installation or replacement, go to “Completing the parts replacement” on page 142.

Replacing the primary hard disk drive

Important: Before you replace any FRU, be sure to read and understand Chapter 1 “Safety information” on page 1.

To replace the primary hard disk drive, do the following:

1. Remove all media from the drives and turn off all attached devices and the computer. Then, disconnect all power cords from electrical outlets and disconnect all cables that are connected to the computer.
2. Remove the computer cover. See “Removing the computer cover” on page 83.
3. Locate the primary hard disk drive. See “Locating major FRUs and CRUs” on page 69.
4. Disconnect the signal cable and the power cable from the hard disk drive.
5. Pull the blue handle to release and remove the hard disk drive from the drive cage.

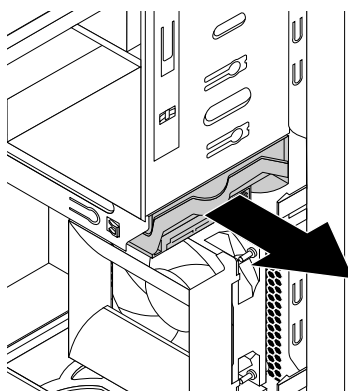


Figure 68. Removing the primary hard disk drive

6. Flex the sides of the blue bracket to remove the hard disk drive from the bracket.

7. To install a new hard disk drive into the blue bracket, flex the bracket and align pin **1**, pin **2**, pin **3**, and pin **4** on the bracket with the corresponding holes in the hard disk drive. Do not touch the circuit board **5** on the bottom of the hard disk drive.

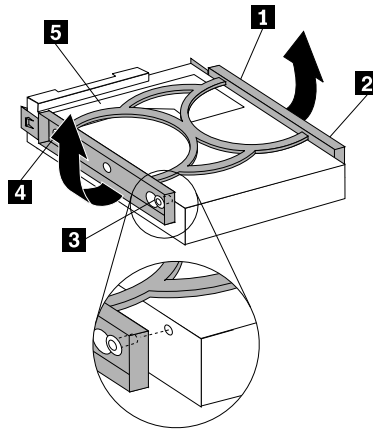


Figure 69. Installing the hard disk drive into the bracket

8. Slide the new hard disk drive into the drive cage until it snaps into position.

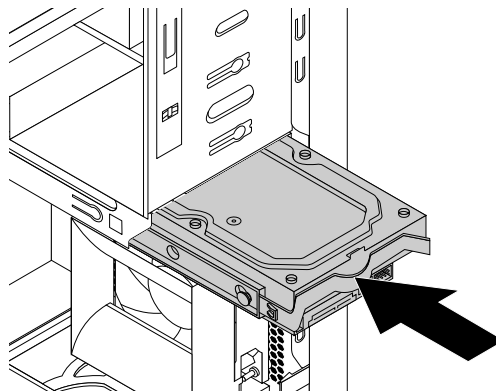


Figure 70. Installing the primary hard disk drive

9. Connect the signal cable and the power cable to the new hard disk drive.

What to do next:

- To work with another piece of hardware, go to the appropriate section.
- To complete the installation or replacement, go to “Completing the parts replacement” on page 142.

Replacing the secondary hard disk drive

Important: Before you replace any FRU, be sure to read and understand Chapter 1 “Safety information” on page 1.

Note: Your computer comes with a secondary hard-disk-drive bay for installing or replacing a secondary 3.5-inch hard disk drive or a 2.5-inch solid-state drive.

To replace the secondary hard disk drive, do the following:

1. Remove all media from the drives and turn off all attached devices and the computer. Then, disconnect all power cords from electrical outlets and disconnect all cables that are connected to the computer.
2. Remove the computer cover. See “Removing the computer cover” on page 83.
3. Locate the secondary hard disk drive. See “Locating major FRUs and CRUs” on page 69.
4. Disconnect the signal cable and the power cable from the hard disk drive.
5. Pull the blue handle to release and remove the hard disk drive from the hard disk drive cage.

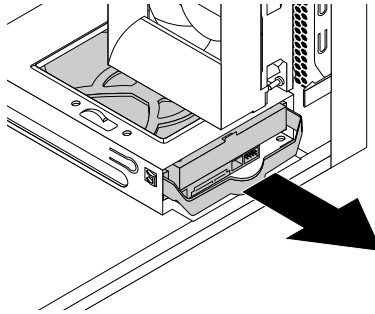


Figure 71. Removing the secondary hard disk drive

6. Flex the sides of the blue bracket to remove the hard disk drive from the bracket.
7. To install a new hard disk drive into the blue bracket, flex the bracket and align pin **1**, pin **2**, pin **3**, and pin **4** on the bracket with the corresponding holes in the hard disk drive. Do not touch the circuit board **5** on the bottom of the hard disk drive.

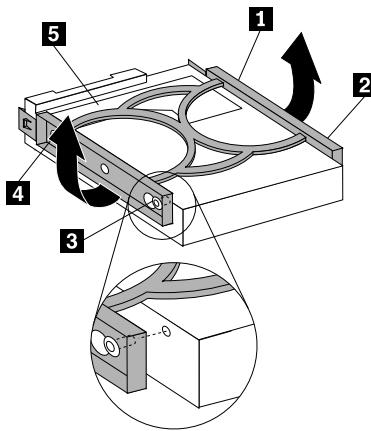


Figure 72. Installing the hard disk drive into the bracket

- Slide the new hard disk drive into the drive cage until it snaps into position.

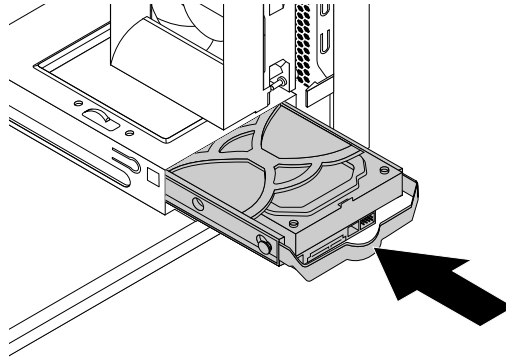


Figure 73. Installing the secondary hard disk drive

- Connect the signal cable and the power cable to the new hard disk drive.

What to do next:

- To work with another piece of hardware, go to the appropriate section.
- To complete the installation or replacement, go to “Completing the parts replacement” on page 142.

Installing the tertiary hard disk drive

Important: Before you replace any FRU, be sure to read and understand Chapter 1 “Safety information” on page 1.

Note: You can install a tertiary 3.5-inch hard disk drive or a 2.5-inch solid-state drive into the secondary optical-drive bay in your computer.

To install a tertiary 3.5-inch hard disk drive or a 2.5-inch solid-state drive, do the following:

1. Remove all media from the drives and turn off all attached devices and the computer. Then, disconnect all power cords from electrical outlets and disconnect all cables that are connected to the computer.
2. Remove the computer cover. See “Removing the computer cover” on page 83.
3. Remove the front bezel. See “Removing and reinstalling the front bezel” on page 84.
4. Remove the plastic panel in the front bezel for the drive bay you want to use. If there is a metal static shield installed in the drive bay, remove the metal static shield.
5. Depending on whether you are installing a tertiary 3.5-inch hard disk drive or a 2.5-inch solid-state drive, do one of the following:

- Install the hard disk drive into the 5.25-inch optical drive bracket. Then, fully tighten the four screws to secure the hard disk drive to the 5.25-inch optical drive bracket.

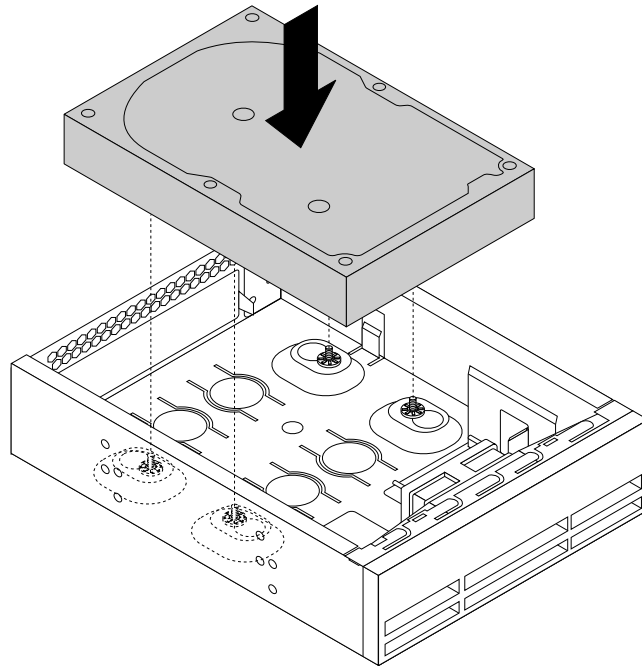


Figure 74. Installing the tertiary hard disk drive

- Install the solid-state drive into the 5.25-inch optical drive bracket. To install the solid-state drive into the 5.25-inch optical drive bracket, do the following:

- a. Install the solid-state drive into the storage converter. Then, install the five screws to secure the solid-state drive to the storage converter.

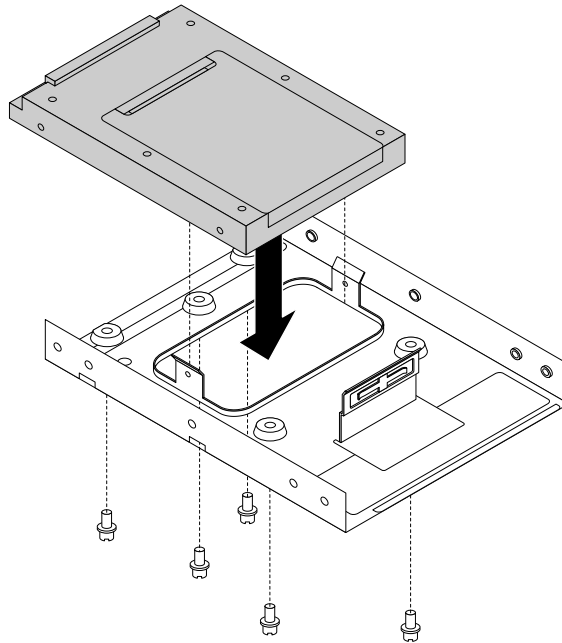


Figure 75. Installing the solid-state drive into the storage converter

- b. Install the solid-state drive with the storage converter into the 5.25-inch optical drive bracket. Then, fully tighten the four screws to secure the solid-state drive with the storage converter to the 5.25-inch optical drive bracket.

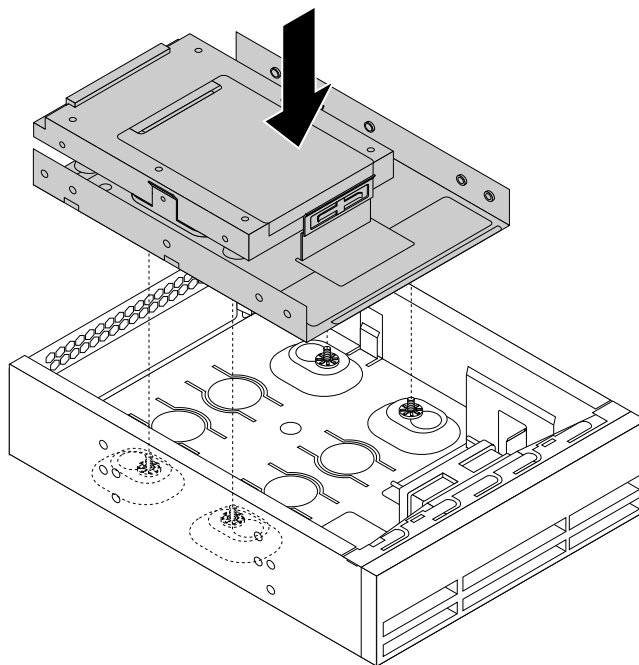


Figure 76. Installing the solid-state drive with the storage converter

6. Install the optical drive retainer on the side of the optical drive bracket.

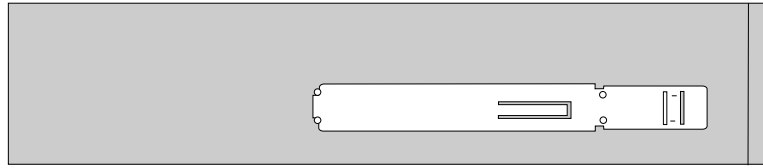


Figure 77. Installing the optical drive retainer

7. Slide the optical drive bracket into the secondary optical-drive bay from the front of the computer until the optical drive bracket snaps into position.

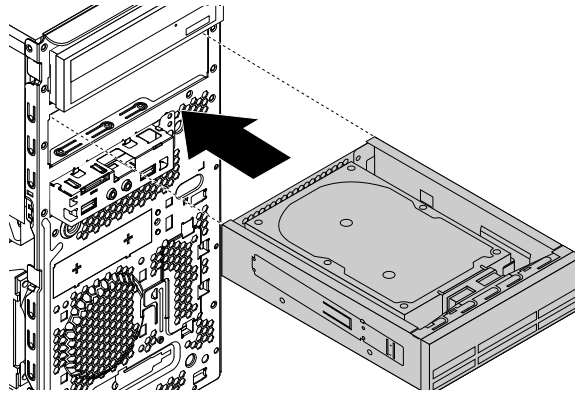


Figure 78. Installing the optical drive bracket

8. Connect the signal cable and the power cable to the new hard disk drive or solid-state drive.

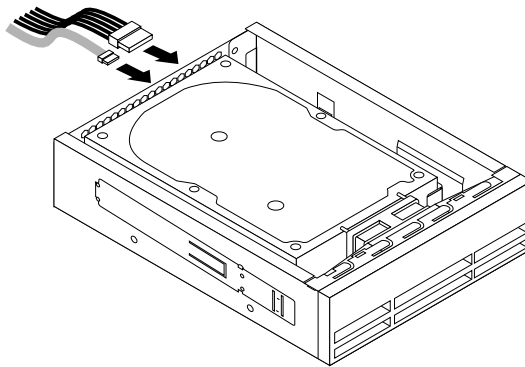


Figure 79. Connecting the hard disk drive or solid-state drive

What to do next:

- To work with another piece of hardware, go to the appropriate section.
- To complete the installation or replacement, go to “Completing the parts replacement” on page 142.

Replacing the front fan assembly

Important: Before you replace any FRU, be sure to read and understand Chapter 1 “Safety information” on page 1.

Note: The front fan assembly is only available on some models.

To replace the front fan assembly, do the following:

1. Remove all media from the drives and turn off all attached devices and the computer. Then, disconnect all power cords from electrical outlets and disconnect all cables that are connected to the computer.
2. Remove the computer cover. See “Removing the computer cover” on page 83.
3. Remove the front bezel. See “Removing and reinstalling the front bezel” on page 84.
4. Disconnect the front fan assembly cable from the power fan connector on the system board. See “Locating parts on the system board” on page 72.
5. The front fan assembly is attached to the chassis by four rubber mounts. Remove the front fan assembly by breaking or cutting the rubber mounts and gently pulling the front fan assembly out of the chassis.

Note: The new front fan assembly will have four new rubber mounts attached.

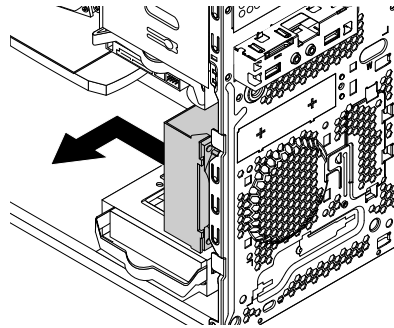


Figure 80. Removing the front fan assembly

6. Install the new front fan assembly by aligning the new rubber mounts with the corresponding holes in the chassis and push the rubber mounts through the holes.
7. Pull the tips of the rubber mounts until the front fan assembly is secured in place.

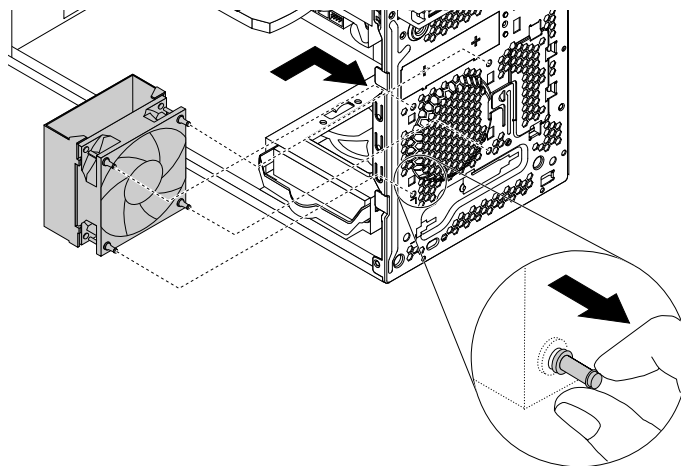


Figure 81. Installing the front fan assembly

8. Connect the front fan assembly cable to the power fan connector on the system board.

What to do next:

- To work with another piece of hardware, go to the appropriate section.
- To complete the installation or replacement, go to “Completing the parts replacement” on page 142.

Replacing the rear fan assembly

Important: Before you replace any FRU, be sure to read and understand Chapter 1 “Safety information” on page 1.

To replace the rear fan assembly, do the following:

1. Remove all media from the drives and turn off all attached devices and the computer. Then, disconnect all power cords from electrical outlets and disconnect all cables that are connected to the computer.
2. Remove the computer cover. See “Removing the computer cover” on page 83.
3. Locate the rear fan assembly. See “Locating major FRUs and CRUs” on page 69.
4. Disconnect the rear fan assembly cable from the system fan connector on the system board. See “Locating parts on the system board” on page 72.
5. The rear fan assembly is attached to the chassis by four rubber mounts. Remove the rear fan assembly by breaking or cutting the rubber mounts and gently pulling the rear fan assembly out of the chassis.

Note: The new rear fan assembly will have four new rubber mounts attached.

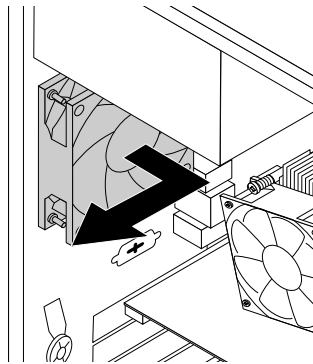


Figure 82. Removing the rear fan assembly

6. Install the new rear fan assembly by aligning the new rubber mounts with the corresponding holes in the chassis and push the rubber mounts through the holes.

7. Pull on the tips of the rubber mounts until the rear fan assembly is secured in place.

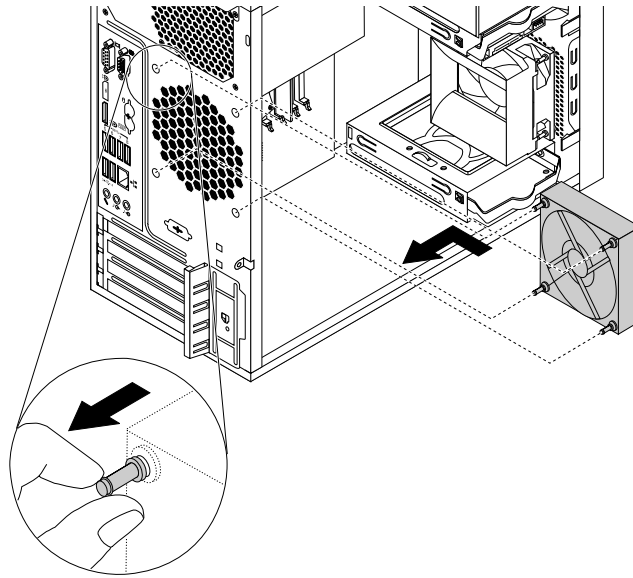


Figure 83. Installing the rear fan assembly

8. Connect the rear fan assembly cable to the system fan connector on the system board.

What to do next:

- To work with another piece of hardware, go to the appropriate section.
- To complete the installation or replacement, go to “Completing the parts replacement” on page 142.

Replacing the power button

Important: Before you replace any FRU, be sure to read and understand Chapter 1 “Safety information” on page 1.

To replace the power button, do the following:

1. Turn off the computer and disconnect all power cords from electrical outlets.
2. Remove the computer cover. See “Removing the computer cover” on page 83.
3. Remove the front bezel. See “Removing and reinstalling the front bezel” on page 84.
4. Locate the power button. See “Locating major FRUs and CRUs” on page 69.
5. Disconnect the power button cable from the power button connector on the system board. See “Locating parts on the system board” on page 72.

6. Remove the screw that secures the power button to the front bezel. Then, remove the power button from the front bezel.

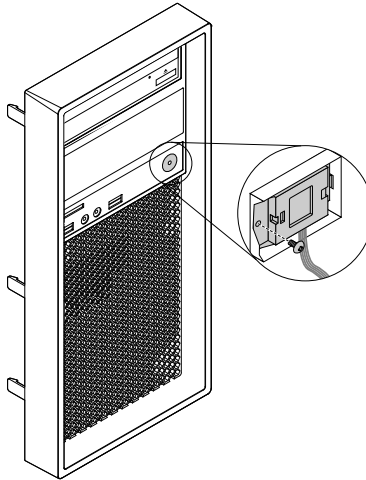


Figure 84. Removing the power button

7. Position the new power button so that the screw hole in the power button is aligned with the corresponding hole in the front bezel. Then install the screw to secure the power button to the front bezel.

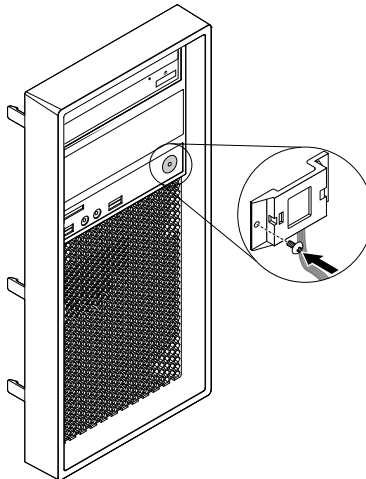


Figure 85. Installing the power button

8. Reconnect the power button cable to the system board. See “Locating parts on the system board” on page 72.
9. Reinstall the front bezel. See “Removing and reinstalling the front bezel” on page 84.

What to do next:

- To work with another piece of hardware, go to the appropriate section.
- To complete the installation or replacement, go to “Completing the parts replacement” on page 142.

Replacing the cover presence switch

Important: Before you replace any FRU, be sure to read and understand Chapter 1 “Safety information” on page 1.

To replace the cover presence switch, do the following:

1. Turn off the computer and disconnect all power cords from electrical outlets.
2. Remove the computer cover. See “Removing the computer cover” on page 83.
3. Remove the front bezel. See “Removing and reinstalling the front bezel” on page 84.
4. Locate the cover presence switch. See “Locating major FRUs and CRUs” on page 69.
5. Disconnect the cover presence switch cable from the cover presence switch connector on the system board. See “Locating parts on the system board” on page 72.
6. Remove the screw that secures the cover presence switch and remove the cover presence switch from the chassis.

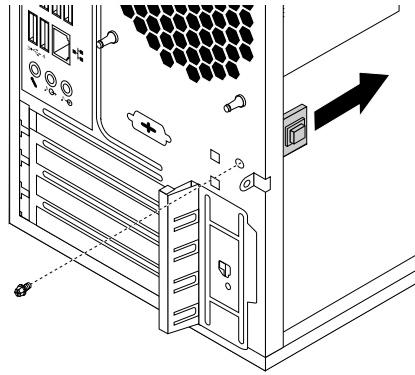


Figure 86. Removing the cover presence switch

7. Position the new cover presence switch so that the screw hole in the cover presence switch is aligned with the corresponding hole in the chassis. Then install the screw to secure the cover presence switch to the chassis.

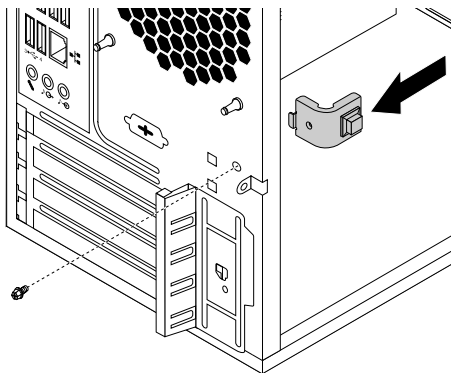


Figure 87. Installing the cover presence switch

8. Reconnect the cover presence switch cable to the system board. See “Locating parts on the system board” on page 72.
9. Reinstall the front bezel. See “Removing and reinstalling the front bezel” on page 84.

What to do next:

- To work with another piece of hardware, go to the appropriate section.
- To complete the installation or replacement, go to “Completing the parts replacement” on page 142.

Replacing the system board

Important: Before you replace any FRU, be sure to read and understand Chapter 1 “Safety information” on page 1.

This section provides instructions on how to replace the system board.

CAUTION:

The heat sink and microprocessor might be very hot. Before you open the computer cover, turn off the computer and wait several minutes until the computer is cool.

To replace the system board, do the following:

1. Remove all media from the drives and turn off all attached devices and the computer. Then, disconnect all power cords from electrical outlets and disconnect all cables that are connected to the computer.
2. Remove the computer cover. See “Removing the computer cover” on page 83.
3. Lay the computer on its side for easier access to the system board.
4. Remove all memory modules and PCI cards that are currently installed. See “Installing or replacing a memory module” on page 88 and “Installing or replacing a PCI card” on page 85.
5. Record the cable routing and cable connections and then disconnect all cables from the system board. See “Locating parts on the system board” on page 72.
6. Remove the heat sink and fan assembly from the failing system board. See “Replacing the heat sink and fan assembly” on page 105.

- Remove the eight screws that secure the system board by following the sequence shown in the following illustration.

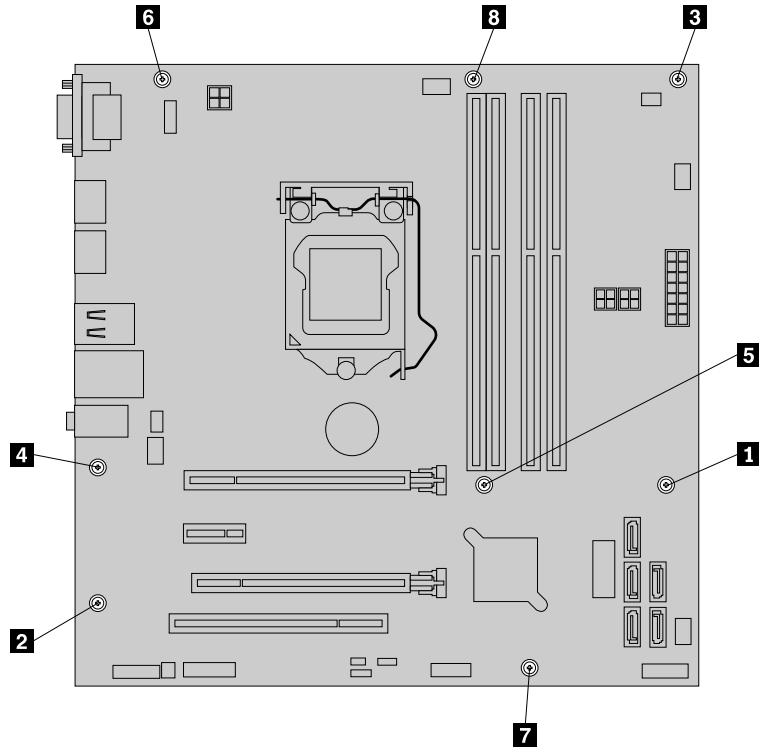


Figure 88. Removing the eight screws that secure the system board

- Slide the system board to the front of the computer and then carefully lift the system board out of the chassis.
- Remove the microprocessor from the failing system board and install it on the new system board. See “Replacing the microprocessor” on page 110.

10. Install the new system board into the chassis by aligning the eight screw holes in the new system board with the corresponding mounting studs on the chassis. Then, install the eight screws to secure the system board by following the sequence shown in the following illustration.

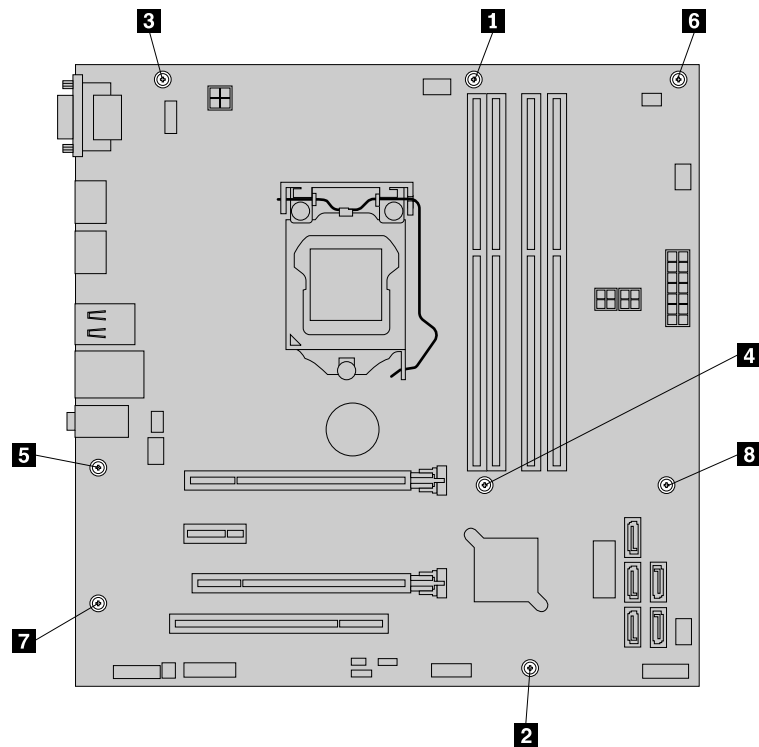


Figure 89. Installing the eight screws to secure the system board

11. Install the heat sink and fan assembly and connect the heat-sink-and-fan-assembly cable to the new system board. See “Replacing the heat sink and fan assembly” on page 105.
12. Install all memory modules and PCI cards removed from the failing system board onto the new system board. See “Installing or replacing a memory module” on page 88 and “Installing or replacing a PCI card” on page 85.
13. Refer to your record to connect cables to the new system board. You also can refer to “Locating parts on the system board” on page 72 to help you locate the connectors on the system board and connect cables.
14. To complete the installation or replacement, go to “Completing the parts replacement” on page 142.

The failing system board must be returned with a microprocessor socket cover to protect the pins during shipping and handling.

To install the microprocessor socket cover, do the following:

1. After you have removed the microprocessor from the failing system board, close the microprocessor retainer and then put the lever to the locked position to secure the retainer in place.

2. Note the orientation of the socket cover, and install one side of the socket cover into the microprocessor socket. Carefully press the other side of the socket cover downward until the socket cover snaps into position.

Note: Your microprocessor socket and cover might look slightly different from the illustration.

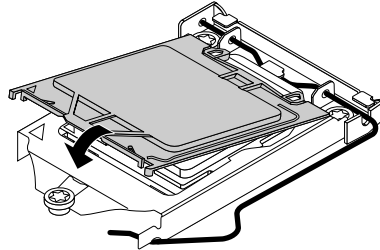


Figure 90. Installing the microprocessor socket cover

3. Carefully check the four corners of the socket cover to ensure that the cover is seated securely.
4. Follow any additional instructions included with the replacement part you received.

Replacing the Wi-Fi units

Important: Before you replace any FRU, be sure to read and understand Chapter 1 “Safety information” on page 1.

This section provides instructions on how to replace the Wi-Fi units. The Wi-Fi units include a Wi-Fi adapter card, a Wi-Fi card module, and a rear Wi-Fi antenna cable.

Replacing the Wi-Fi units involves the following operations:

- “Removing the Wi-Fi adapter card” on page 133
- “Removing the Wi-Fi card module” on page 135
- “Installing the Wi-Fi units” on page 136

Removing the Wi-Fi adapter card

To remove a Wi-Fi adapter card, do the following:

1. Remove all media from the drives and turn off all attached devices and the computer. Then, disconnect all power cords from electrical outlets and disconnect all cables that are connected to the computer.
2. Remove the computer cover. See “Removing the computer cover” on page 83.

3. If your computer comes with a Wi-Fi card module that supports the Bluetooth function, disconnect the Bluetooth cable from the Wi-Fi adapter card.

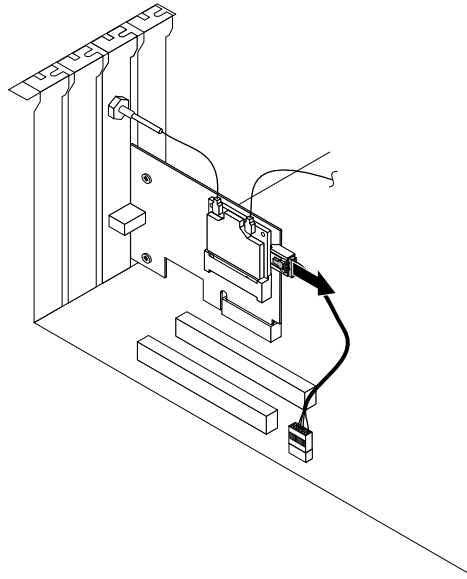


Figure 91. Disconnecting the Bluetooth cable

Note: The Bluetooth cable connects the Bluetooth connector on the Wi-Fi adapter card to the front USB connector on the system board to support the Bluetooth function.

4. At the rear of the computer, press the release button **1** to open the PCI card latch **2**.

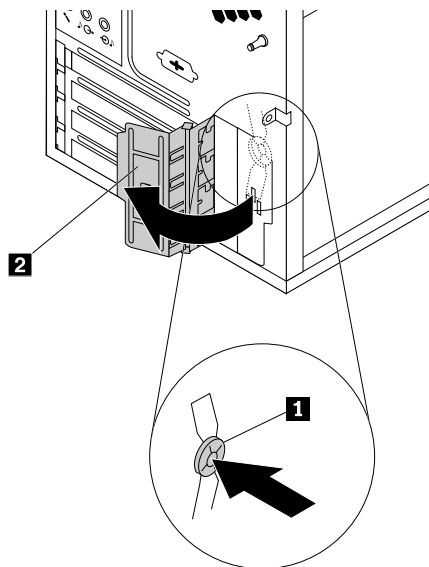


Figure 92. Opening the PCI card latch

5. Grasp the Wi-Fi adapter card that is currently installed and gently pull it out of the slot.

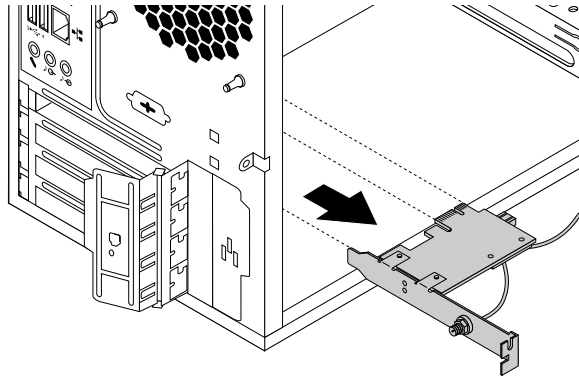


Figure 93. Removing the Wi-Fi adapter card

Note: The card fits tightly into the card slot. If necessary, alternate moving each side of the card a small amount until it is removed from the card slot.

Removing the Wi-Fi card module

To remove the Wi-Fi card module, do the following:

1. Remove the Wi-Fi adapter card from the computer, and then disconnect the front and rear Wi-Fi antenna cables from the Wi-Fi card module.

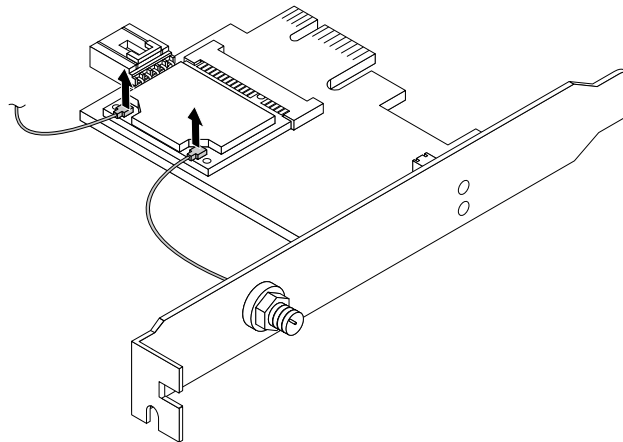


Figure 94. Removing the Wi-Fi antenna cables

2. Remove the two screws that secure the Wi-Fi card module to the Wi-Fi adapter card.

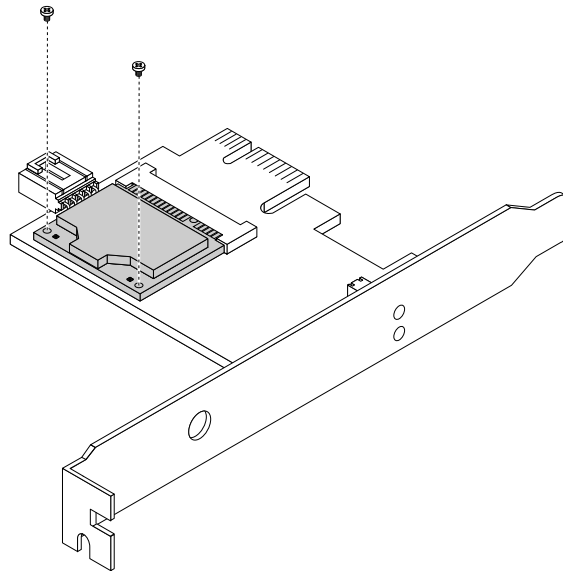


Figure 95. Removing the screws that secure the Wi-Fi card module

3. Pull the Wi-Fi card module out of the mini PCI Express slot to remove it from the Wi-Fi adapter card.

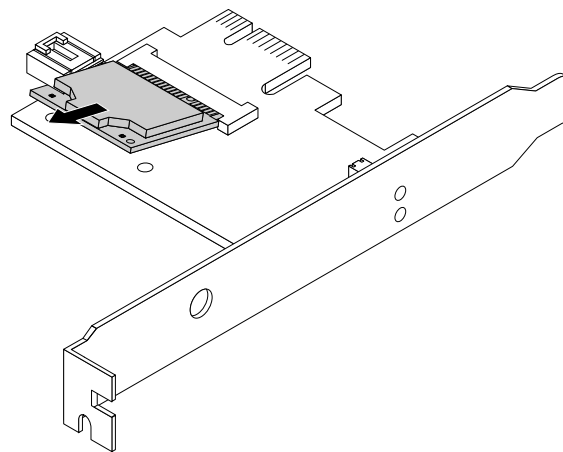


Figure 96. Removing the Wi-Fi card module

Installing the Wi-Fi units

To install the Wi-Fi units, do the following:

1. Insert the Wi-Fi card module into the mini PCI Express slot, and then install the two screws to secure the Wi-Fi card module to the Wi-Fi adapter card.

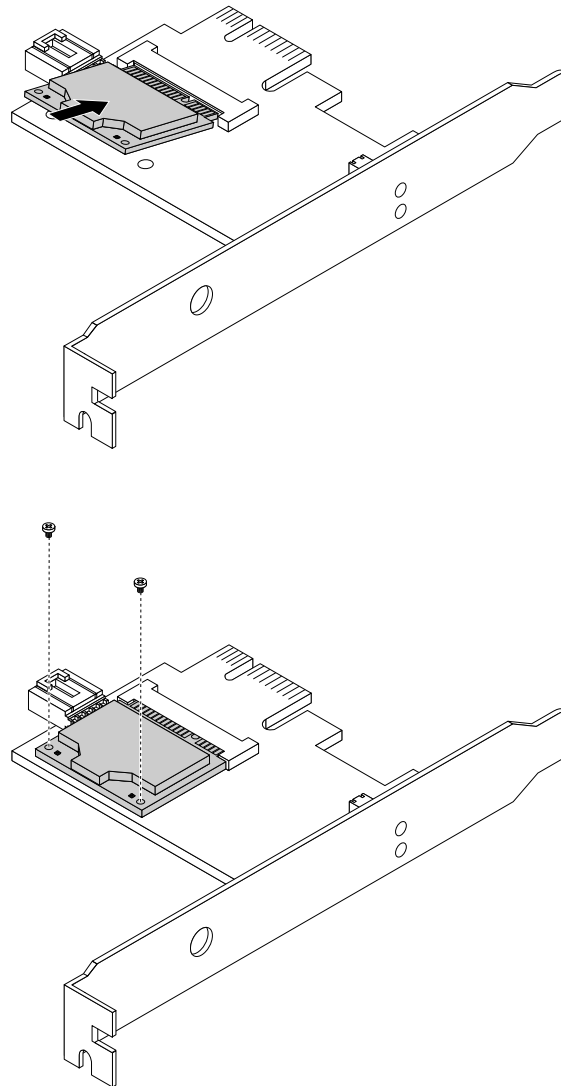


Figure 97. Installing the Wi-Fi card module

2. Connect the front antenna cable and rear antenna cable to the Wi-Fi card module.

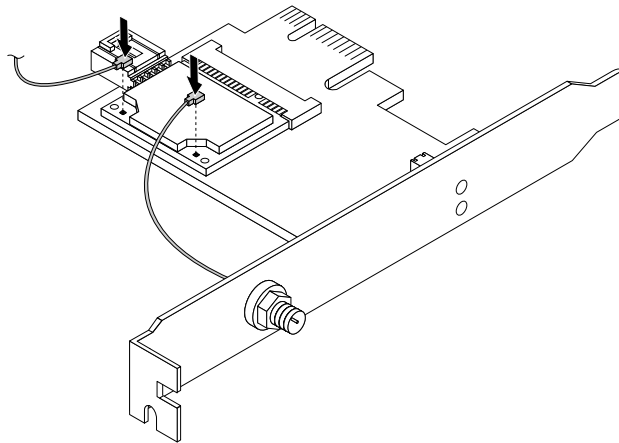


Figure 98. Installing the Wi-Fi antenna cables

3. Install the Wi-Fi adapter card into the PCI Express x1 slot on the system board. See “Locating parts on the system board” on page 72.
4. If the installed Wi-Fi card module supports the Bluetooth function, use a Bluetooth cable to connect the Bluetooth connector on the Wi-Fi adapter card to the front USB connector on the system board.
5. Pivot the card latch to the closed position to secure the Wi-Fi adapter card.

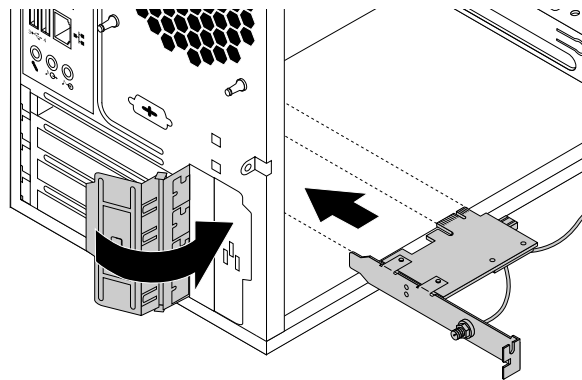


Figure 99. Installing the Wi-Fi adapter card

What to do next:

- To work with another piece of hardware, go to the appropriate section.
- To complete the installation or replacement, go to “Completing the parts replacement” on page 142.

Installing or removing the rear Wi-Fi antenna

Important: Before you replace any FRU, be sure to read and understand Chapter 1 “Safety information” on page 1.

Installing the rear Wi-Fi antenna

To install the rear Wi-Fi antenna, do the following:

1. Remove all media from the drives and turn off all attached devices and the computer. Then, disconnect all power cords from electrical outlets and disconnect all cables that are connected to the computer.
2. Install the rear Wi-Fi antenna to the rear Wi-Fi antenna cable connector attached on the rear of the computer.
3. Adjust the angle of the rear antenna to lower the risk of breaking the antenna by accident.

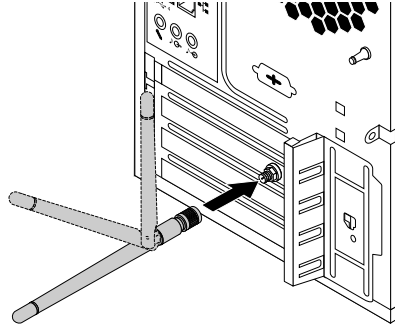


Figure 100. Installing the rear Wi-Fi antenna

What to do next:

- To work with another piece of hardware, go to the appropriate section.
- To complete the installation or replacement, go to “Completing the parts replacement” on page 142.

Removing the rear Wi-Fi antenna

To remove the rear Wi-Fi antenna, do the following:

1. Remove all media from the drives and turn off all attached devices and the computer. Then, disconnect all power cords from electrical outlets and disconnect all cables that are connected to the computer.
2. Straighten the rear Wi-Fi antenna so that it can be more easily twisted.
3. Hold the thicker end of the rear Wi-Fi antenna and unscrew the Wi-Fi antenna from the rear of the computer.

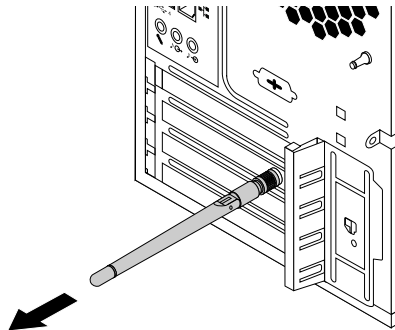


Figure 101. Removing the rear Wi-Fi antenna

What to do next:

- To work with another piece of hardware, go to the appropriate section.
- To complete the installation or replacement, go to “Completing the parts replacement” on page 142.

Installing or removing the front Wi-Fi antenna

Important: Before you replace any FRU, be sure to read and understand Chapter 1 “Safety information” on page 1.

Installing the front Wi-Fi antenna

To install the front Wi-Fi antenna, do the following:

1. Remove all media from the drives and turn off all attached devices and the computer. Then, disconnect all power cords from electrical outlets and disconnect all cables that are connected to the computer.
2. Remove the computer cover. See “Removing the computer cover” on page 83.
3. Remove the front bezel. See “Removing and reinstalling the front bezel” on page 84.
4. Peel off the paper that protects the sticker on the front antenna.

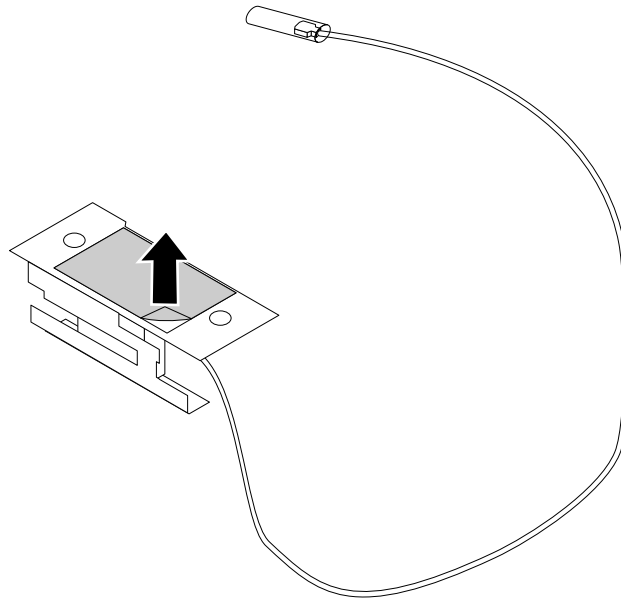


Figure 102. Peeling off the paper that protects the sticker

5. Stick the front antenna to the front panel as shown. Then insert the front antenna cable through the hole in the front panel.

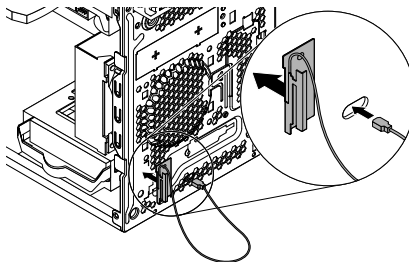


Figure 103. Installing the front Wi-Fi antenna

6. Connect the front antenna cable to the Wi-Fi card module.

What to do next:

- To work with another piece of hardware, go to the appropriate section.
- To complete the installation or replacement, go to “Completing the parts replacement” on page 142.

Removing the front Wi-Fi antenna

To remove the front Wi-Fi antenna, do the following:

1. Remove all media from the drives and turn off all attached devices and the computer. Then, disconnect all power cords from electrical outlets and disconnect all cables that are connected to the computer.
2. Remove the computer cover. See “Removing the computer cover” on page 83.
3. Remove the front bezel. See “Removing and reinstalling the front bezel” on page 84.
4. Disconnect the front antenna cable from the Wi-Fi card module.
5. Remove the front antenna and cable from the front of the computer.

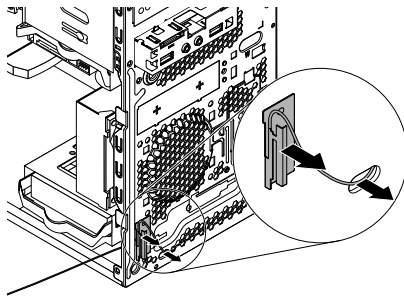


Figure 104. Removing the front Wi-Fi antenna

What to do next:

- To work with another piece of hardware, go to the appropriate section.
- To complete the installation or replacement, go to “Completing the parts replacement” on page 142.

Replacing the keyboard or mouse

Important: Before you replace any FRU, be sure to read and understand Chapter 1 “Safety information” on page 1.

To replace the keyboard or mouse, do the following:

1. Disconnect the old keyboard cable or mouse cable from the computer.

2. Connect a new keyboard or mouse to one of the USB connectors on the computer. Depending on where you want to connect the new keyboard or mouse, see “Locating connectors, controls, and indicators on the front of your computer” on page 67 or “Locating connectors on the rear of your computer” on page 68.

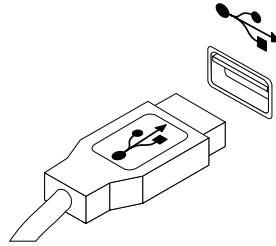


Figure 105. Connecting the USB keyboard or mouse

What to do next:

- To work with another piece of hardware, go to the appropriate section.
- To complete the installation or replacement, go to “Completing the parts replacement” on page 142.

Completing the parts replacement

After completing the installation or replacement for all parts, you need to reinstall the computer cover and reconnect cables. Depending on the parts you installed or replaced, you might need to confirm the updated information in the Setup Utility program. Refer to “Using the Setup Utility program” on page 53.

To reinstall the computer cover and reconnect cables to your computer, do the following:

1. Ensure that all components have been reassembled correctly and that no tools or loose screws are left inside your computer. See “Locating major FRUs and CRUs” on page 69 for the locations of various components in your computer.
2. If you have removed the front bezel, reinstall it.
3. Ensure that the cables are routed correctly before reinstalling the computer cover. Keep cables clear of the hinges and sides of the computer chassis to avoid interference with reinstalling the computer cover.

4. Position the computer cover on the chassis so that the rail guides on the bottom of the computer cover engage the rails on the chassis. Then, push the cover to the front of the computer until it snaps into position.

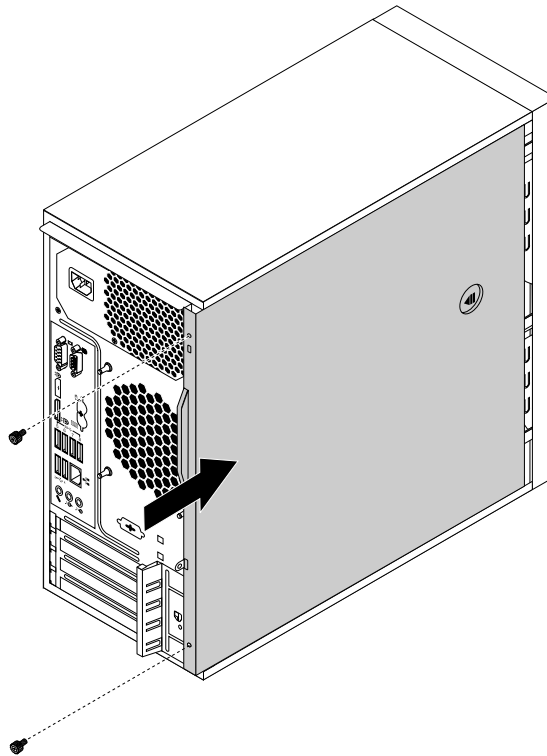


Figure 106. Reinstalling the computer cover

5. Install the screws to secure the computer cover.
6. If there is any locking device available, lock the computer cover.
7. Reconnect the external cables and power cords to the computer. See “Locating connectors on the rear of your computer” on page 68.
8. To update your configuration, refer to “Using the Setup Utility program” on page 53.

Note: In most areas of the world, Lenovo requires the return of the defective Customer Replaceable Unit (CRU). Information about this will come with the CRU or will come a few days after the CRU arrives.

Obtaining device drivers

You can obtain device drivers that are not preinstalled in your operating system at <http://www.lenovo.com/support>. Installation instructions are provided in readme files with the device-driver files.

Installing or replacing hardware (30AK and 30AJ)

This section provides instructions on how to install or replace hardware for your computer. You can expand the capabilities of your computer and maintain your computer by installing or replacing hardware.

Important: Before you replace any FRU, be sure to read and understand Chapter 1 “Safety information” on page 1.

Notes:

- Use only computer parts provided by Lenovo.
- When installing or replacing an option, use the appropriate instructions in this section along with the instructions that come with the option.

Removing the computer cover

Important: Before you replace any FRU, be sure to read and understand Chapter 1 “Safety information” on page 1.

This section provides instructions on how to remove the computer cover.

CAUTION:



Before you open the computer cover, turn off the computer and wait several minutes until the computer is cool.

To remove the computer cover, do the following:

1. Remove any media from the drives and turn off all attached devices and the computer.
2. Disconnect all power cords from electrical outlets.
3. Disconnect the power cord, Input/Output cables, and any other cables that are connected to the computer.
4. Remove any locking device that secures the computer cover, such as a padlock or a Kensington-style cable lock.
5. Remove any screws that secure the computer cover.
6. Press the cover-release button on the side of the computer and slide the cover to the rear of the computer to remove the cover.

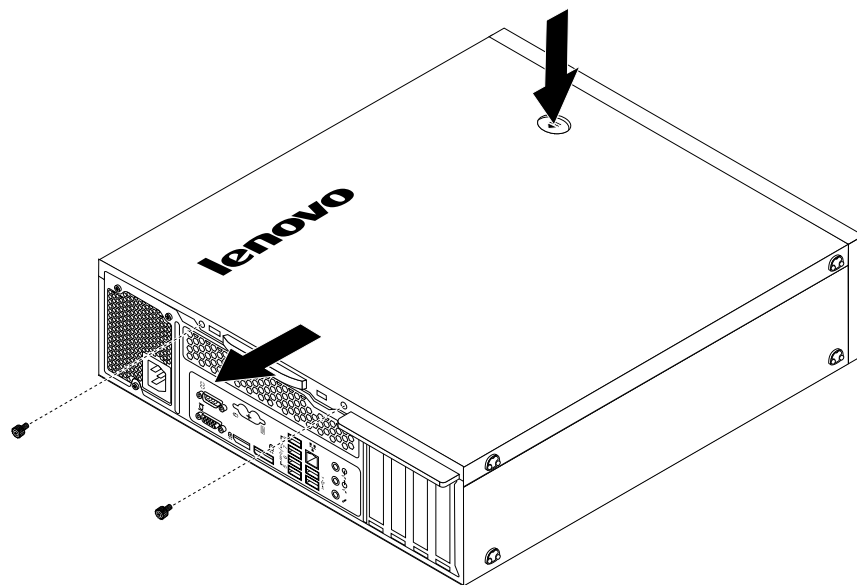


Figure 107. Removing the computer cover

Removing and reinstalling the front bezel

Important: Before you replace any FRU, be sure to read and understand Chapter 1 “Safety information” on page 1.

This section provides instructions on how to remove and reinstall the front bezel.

To remove and reinstall the front bezel, do the following:

1. Turn off the computer and disconnect all power cords from electrical outlets.
2. Remove the computer cover. See “Removing the computer cover” on page 144.
3. Remove the front bezel by releasing the three plastic tabs on the top of the front bezel and pivoting the front bezel outward to remove it from the computer.

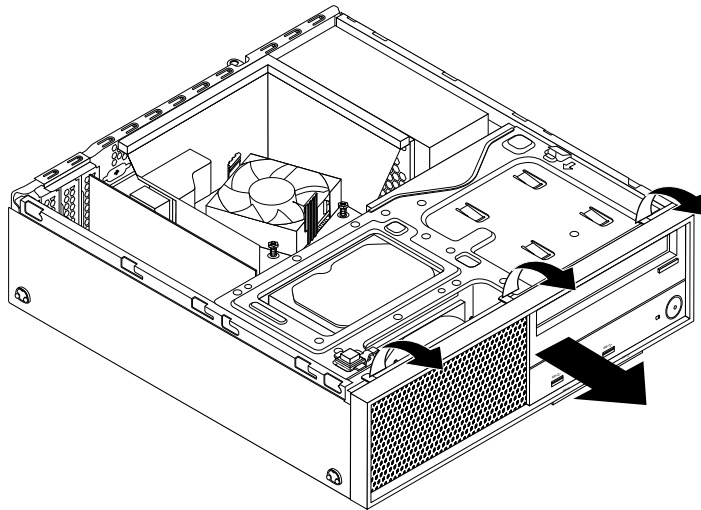


Figure 108. Removing the front bezel

4. To reinstall the front bezel, align the three plastic tabs on the top of the front bezel with the corresponding holes in the chassis, then pivot the front bezel inward until it snaps into position.

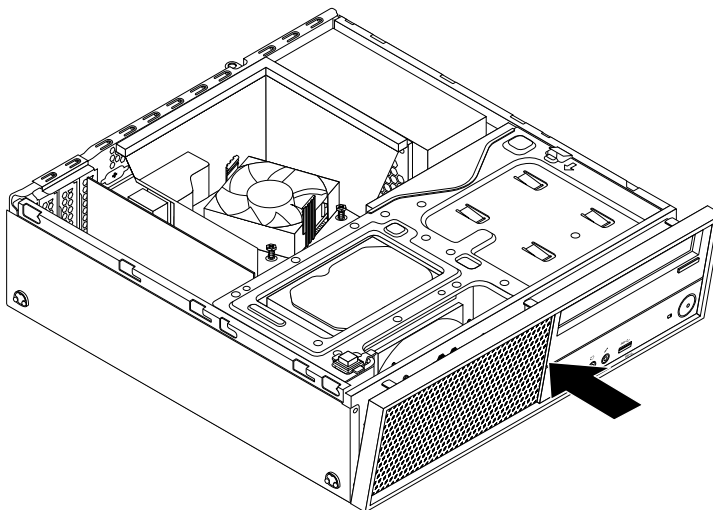


Figure 109. Reinstalling the front bezel

What to do next:

- To work with another piece of hardware, go to the appropriate section.
- To complete the installation or replacement, go to “Completing the parts replacement” on page 223.

Accessing the system board components and drives

Important: Before you replace any FRU, be sure to read and understand Chapter 1 “Safety information” on page 1.

This section provides instructions on how to access the system board components and drives.

To access the system board components and drives, do the following:

1. Turn off the computer and disconnect all power cords from electrical outlets.
2. Remove the computer cover. See “Removing the computer cover” on page 144.
3. Remove the front bezel. See “Removing and reinstalling the front bezel” on page 145.
4. Remove the heat sink fan duct. See “Replacing the heat sink and fan assembly” on page 185.
5. Press the release tab and pivot the drive bay assembly upward to access the system board components and the cables. See “Installing or replacing a device in the optical drive bay” on page 162.

Installing or replacing a memory module

Important: Before you replace any FRU, be sure to read and understand Chapter 1 “Safety information” on page 1.

This section provides instructions on how to install or replace a memory module.

Your computer has four slots for installing or replacing DDR3 UDIMMs that provide up to a maximum of 32 GB system memory. When installing or replacing a memory module, use 4 GB or 8 GB DDR3 UDIMMs in any combination up to a maximum of 32 GB.

The following table provides information about the memory module installation rules that you should consider when installing or removing a memory module. The “X” mark indicates the memory slot(s) into which the memory module(s) should be installed in different situations. The numbers 1, 2, 3, and 4 indicate the installation sequence. To locate the memory module slots, see “Locating parts on the system board” on page 79.

UDIMM	DIMM 1	DIMM 2	DIMM 3	DIMM 4
One UDIMM	X			
Two UDIMMs	X, 1		X, 2	
Three UDIMMs	X, 1	X, 3	X, 2	
Four UDIMMs	X, 1	X, 3	X, 2	X, 4

To install or replace a memory module, do the following:

1. Turn off the computer and disconnect all power cords from electrical outlets.
2. Remove the computer cover. See “Removing the computer cover” on page 144.
3. Lay the computer on its side for easier access to the system board.
4. Locate the memory slots. See “Locating parts on the system board” on page 79.
5. Remove any parts that might prevent your access to the memory slots. Depending on your computer model, you might need to remove the PCI Express x16 graphics card for easier access to the memory slots. See “Installing or replacing a PCI card” on page 148.

6. Depending on whether you are installing or replacing a memory module, do one of the following:
- If you are replacing an old memory module, open the retaining clips and gently pull the memory module out of the memory slot.

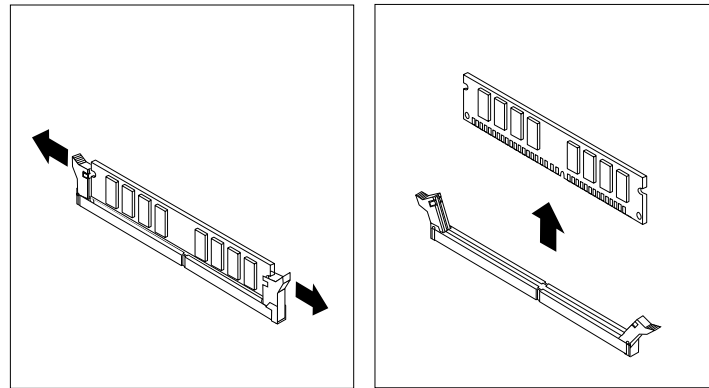


Figure 110. Removing a memory module

- If you are installing a memory module, open the retaining clips of the memory slot into which you want to install the memory module.

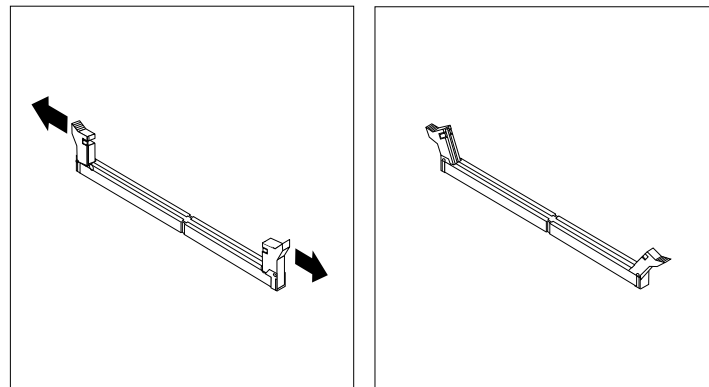


Figure 111. Opening the retaining clips

7. Position the new memory module over the memory slot. Ensure that the notch **1** on the memory module aligns correctly with the slot key **2** on the system board. Push the memory module straight down into the slot until the retaining clips close.

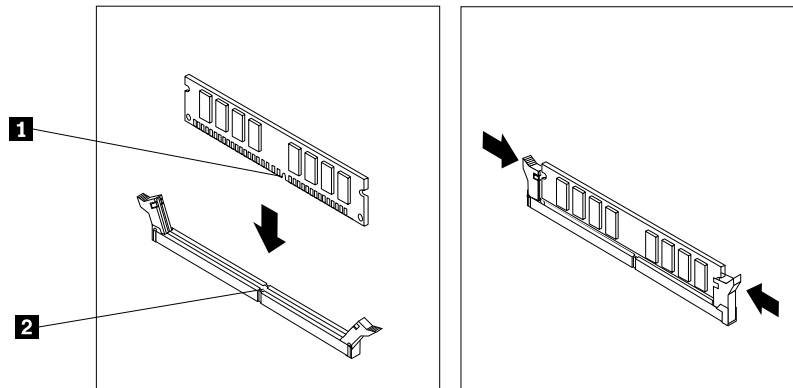


Figure 112. Installing a memory module

8. Reinstall the PCI Express x16 graphics card if you have removed it.

What to do next:

- To work with another piece of hardware, go to the appropriate section.
- To complete the installation or replacement, go to “Completing the parts replacement” on page 223.

Installing or replacing a PCI card

Important: Before you replace any FRU, be sure to read and understand Chapter 1 “Safety information” on page 1.

This section provides instructions on how to install or replace a PCI card. Your computer has one PCI card slot, one PCI Express x1 card slot, one PCI Express x16 card slot (negotiable link width x4, x1), and one PCI Express x16 graphics card slot.

To install or replace a PCI card, do the following:

1. Turn off the computer and disconnect all power cords from electrical outlets.
2. Remove the computer cover. See “Removing the computer cover” on page 144.
3. Rotate the PCI card retainer to the open position.

4. Depending on whether you are installing or replacing a PCI card, do one of the following:
 - If you are installing a PCI card, remove the appropriate metal slot cover.
 - If you are replacing an old PCI card, grasp the old card that is currently installed and gently pull it out of the slot.

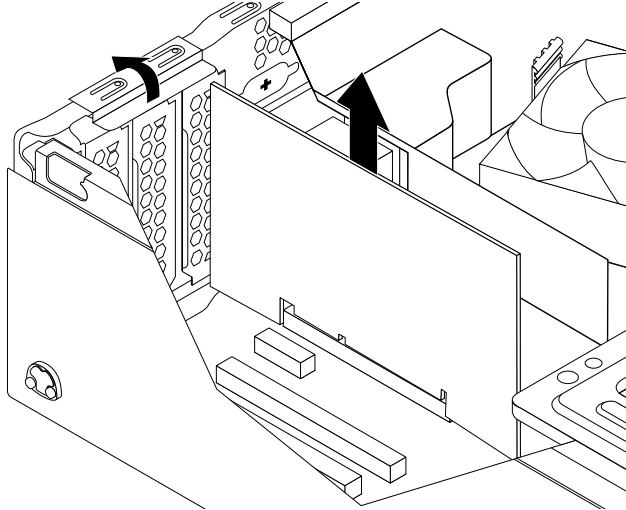


Figure 113. Removing a PCI card

Notes:

- The card fits tightly into the card slot. If necessary, alternate moving each side of the card a small amount until it is removed from the card slot.
- If the card is held in place by a retaining latch, disengage the card retaining latch on the PCI card slot. Then grasp the card and gently pull it out of the slot.

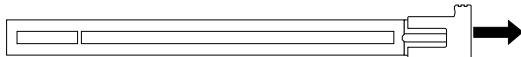


Figure 114. Disengaging the card retaining latch

5. Remove the new PCI card from its static-protective package.
6. Install the new card into the appropriate slot on the system board. See “Locating parts on the system board” on page 79.

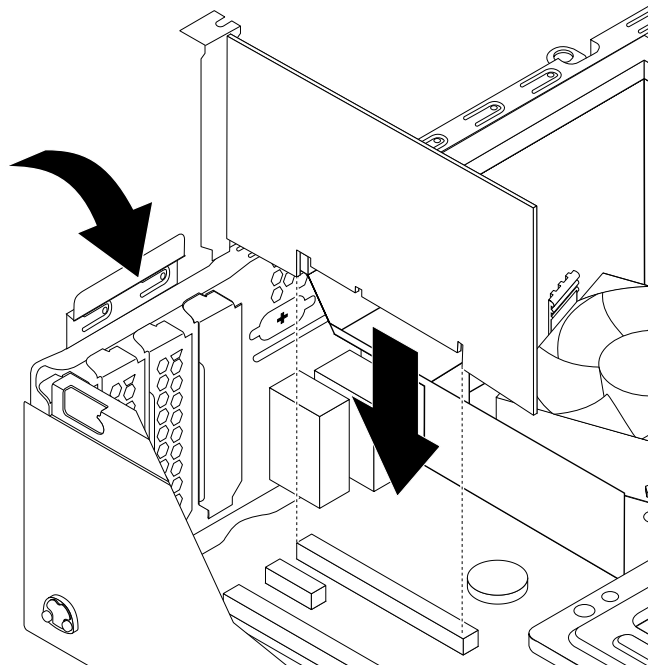


Figure 115. Installing a PCI card

Note: If you are installing a PCI Express x16 graphics card, ensure that the memory slot retaining clips are closed before you install the graphics card.

What to do next:

- To work with another piece of hardware, go to the appropriate section.
- To complete the installation or replacement, go to “Completing the parts replacement” on page 223.

Installing or replacing the card reader

Important: Before you replace any FRU, be sure to read and understand Chapter 1 “Safety information” on page 1.

This section provides instructions on how to install or replace the card reader.

Note: The card reader is only available in some models. For new installation, see “Installing the card reader” on page 150. For replacement, see “Replacing the card reader” on page 153.

Installing the card reader

To install the card reader, do the following:

1. Turn off the computer and disconnect all power cords from electrical outlets.
2. Remove the computer cover. See “Removing the computer cover” on page 144.
3. Remove the front bezel. See “Removing and reinstalling the front bezel” on page 145.
4. Locate the card reader drive bay. See “Locating major FRUs and CRUs” on page 76.

5. Press the release tab **1** as shown and pivot the drive bay assembly upward.

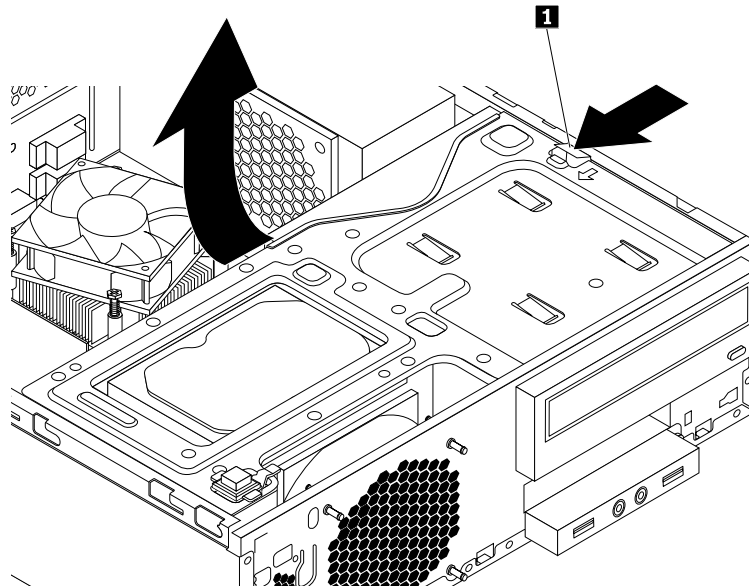


Figure 116. Pivoting the drive bay assembly upward

6. Install the new card reader into the card reader bracket. Then install the two screws to secure the card reader to the bracket.

7. Install the card reader bracket to the chassis. Then push the bracket to the left to align the screw hole in the bracket with the corresponding hole in the chassis.

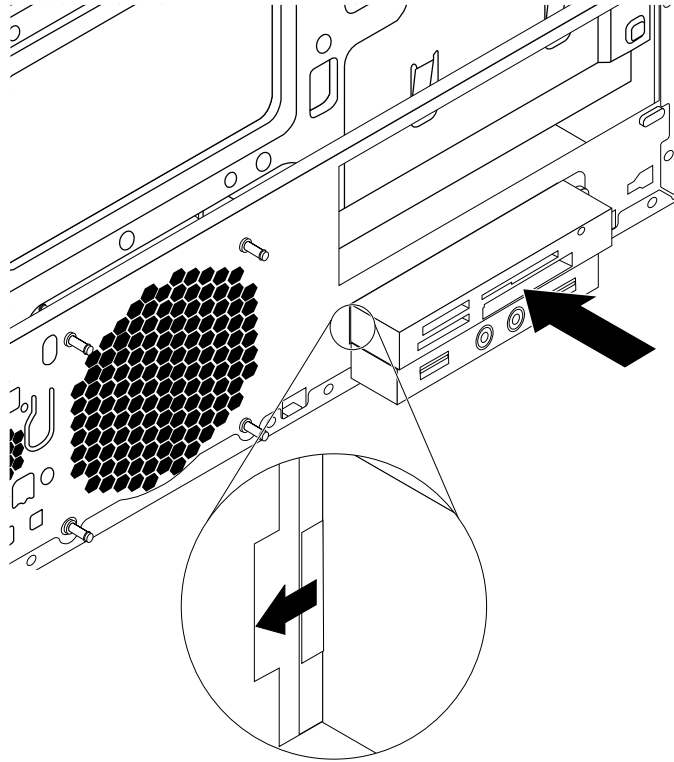


Figure 117. Installing the card reader

8. Install the screw to secure the card reader bracket to the chassis.

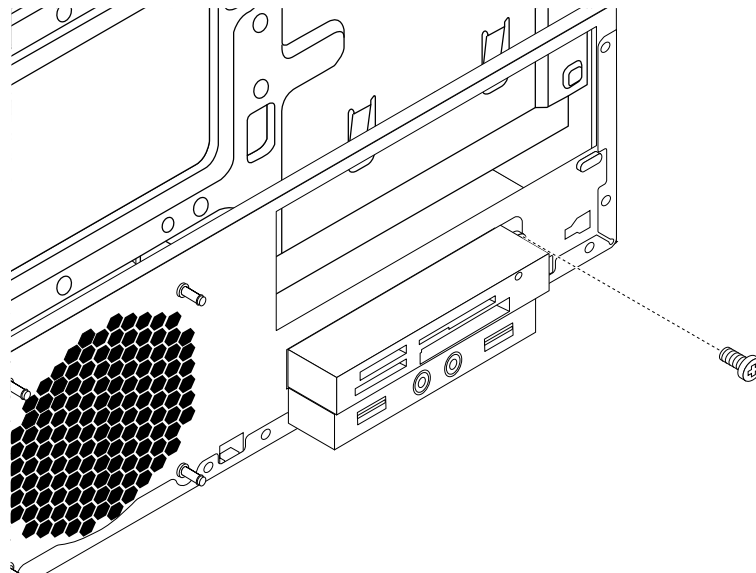


Figure 118. Installing the screw that secures the card reader

9. Connect the card reader cable to Front USB connectors on the system board. See “Locating parts on the system board” on page 79.

What to do next:

- To work with another piece of hardware, go to the appropriate section.
- To complete the installation or replacement, go to “Completing the parts replacement” on page 223.

Replacing the card reader

Important: Before you replace any FRU, be sure to read and understand Chapter 1 “Safety information” on page 1.

To replace the card reader, do the following:

1. Turn off the computer and disconnect all power cords from electrical outlets.
2. Remove the computer cover. See “Removing the computer cover” on page 144.
3. Remove the front bezel. See “Removing and reinstalling the front bezel” on page 145.
4. Locate the card reader. See “Locating major FRUs and CRUs” on page 76.
5. Press the release tab **1** as shown and pivot the drive bay assembly upward.

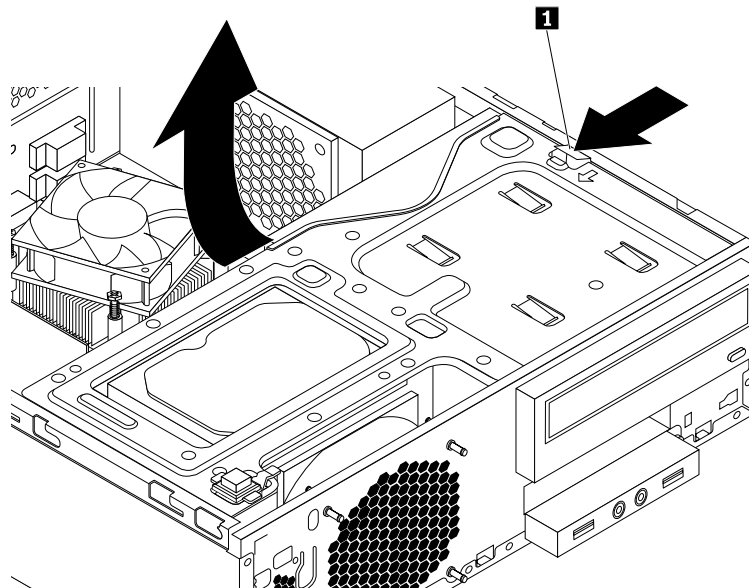


Figure 119. Pivoting the drive bay assembly upward

6. Disconnect the card reader cable from the USB connector on the system board. See “Locating parts on the system board” on page 79.
7. Remove the screw that secures the card reader bracket. Then, remove the card reader bracket from the chassis.

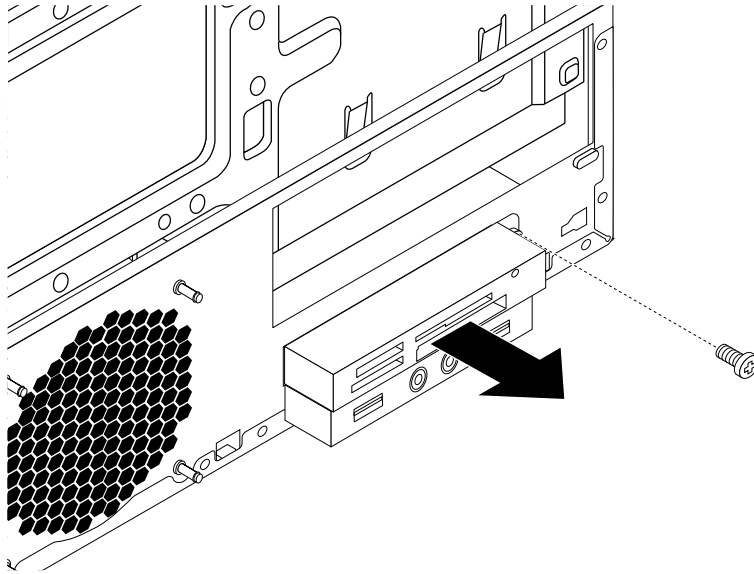


Figure 120. Removing the screw that secures the card reader

8. Install a new card reader into the bracket and install the screw to secure the card reader to the bracket.
9. Install the card reader bracket to the chassis. Then push the bracket to the left to align the screw hole in the bracket with the corresponding hole in the chassis.

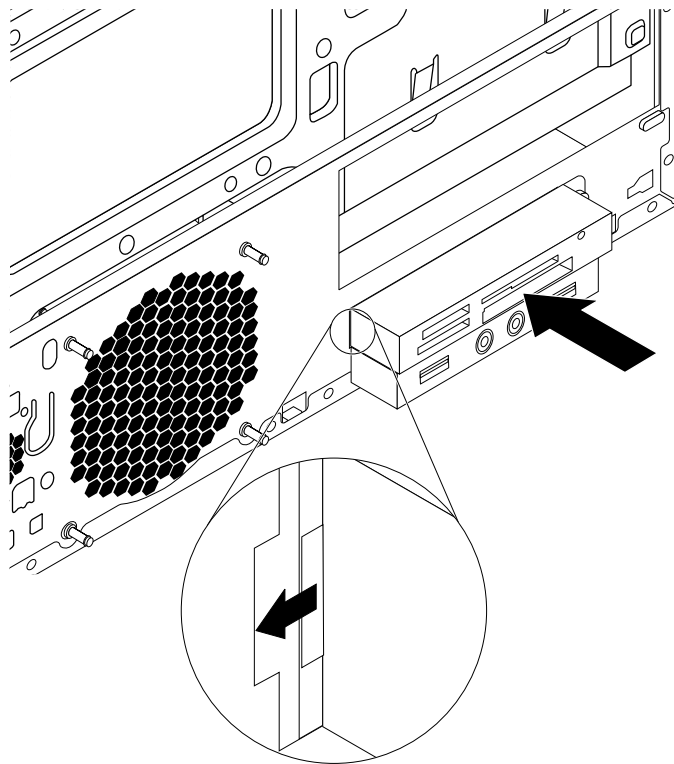


Figure 121. Installing the card reader

10. Install the screw to secure the card reader bracket to the chassis.

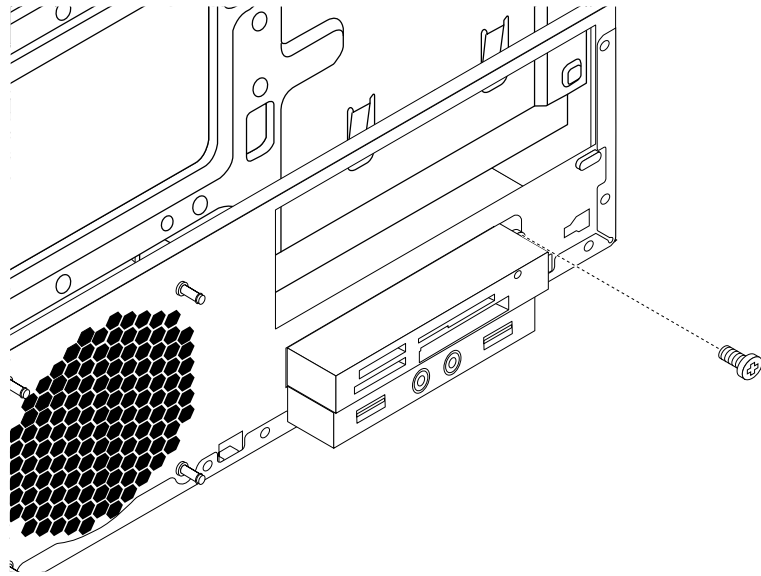


Figure 122. Installing the screw that secures the card reader

11. Reconnect the card reader cable to one of the USB connectors on the system board. See “Locating parts on the system board” on page 79.

What to do next:

- To work with another piece of hardware, go to the appropriate section.
- To complete the installation or replacement, go to “Completing the parts replacement” on page 223.

Replacing the battery

Important: Before you replace any FRU, be sure to read and understand Chapter 1 “Safety information” on page 1.

Your computer has a special type of memory that maintains the date, time, and settings for built-in features, such as parallel-connector assignments (configuration). A battery keeps this information active when you turn off the computer.

The battery normally requires no charging or maintenance throughout its life; however, no battery lasts forever. If the battery fails, the date, time, and configuration information (including passwords) are lost. An error message is displayed when you turn on the computer.

Refer to the “Lithium coin cell battery notice” in the *Safety, Warranty, and Setup Guide* for information about replacing and disposing of the battery.

To replace the battery, do the following:

1. Turn off the computer and disconnect all power cords from electrical outlets.
2. Remove the computer cover. See “Removing the computer cover” on page 144.
3. Locate the battery. See “Locating parts on the system board” on page 79.

4. Remove the old battery.

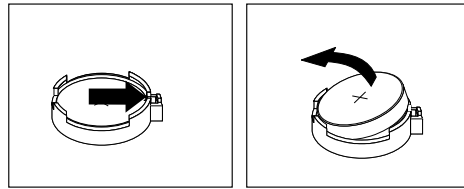


Figure 123. Removing the old battery

5. Install a new battery.

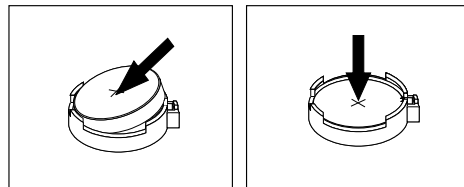


Figure 124. Installing a new battery

6. Reinstall the computer cover and connect the cables. See “Completing the parts replacement” on page 223.

Note: When the computer is turned on for the first time after replacing the battery, an error message might be displayed. This is normal after replacing the battery.

7. Turn on the computer and all attached devices.
8. Use the Setup Utility program to set the date, time, and any passwords. See “Using the Setup Utility program” on page 53.

What to do next:

- To work with another piece of hardware, go to the appropriate section.
- To complete the installation or replacement, go to “Completing the parts replacement” on page 223.

Installing or replacing the mSATA solid-state drive

Important: Before you replace any FRU, be sure to read and understand Chapter 1 “Safety information” on page 1.

This section provides instructions on how to install or replace the mSATA solid-state drive.

Note: The mSATA solid-state drive is only available in some models. For new installation, see “Installing the mSATA solid-state drive” on page 156. For replacement, see “Replacing the mSATA solid-state drive” on page 159.

Installing the mSATA solid-state drive

To install the mSATA solid-state drive, do the following:

1. Turn off the computer and disconnect all power cords from electrical outlets.
2. Remove the computer cover. See “Removing the computer cover” on page 144.
3. Remove the front bezel. See “Removing and reinstalling the front bezel” on page 145.

4. Locate the card reader drive bay.

Note: You might have to remove the metal cover of the card reader drive bay.

5. Press the release tab **1** as shown and pivot the drive bay assembly upward.

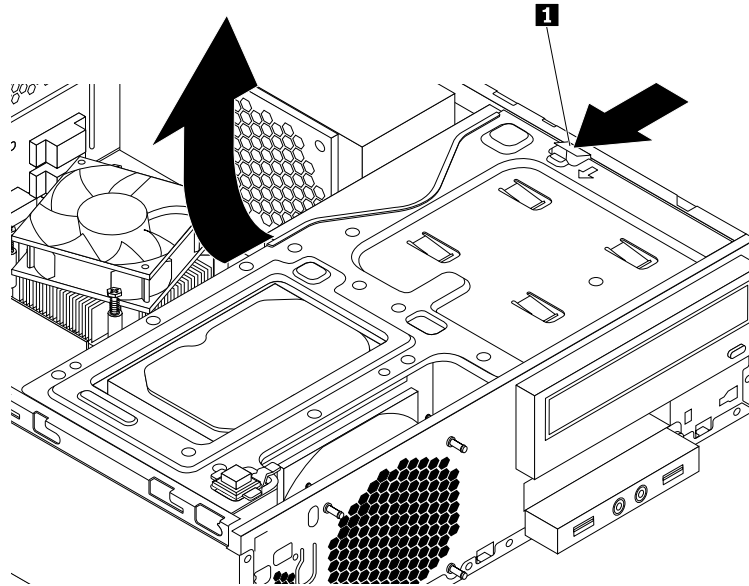


Figure 125. Pivoting the drive bay assembly upward

6. Insert the mSATA solid-state drive into the mini PCI Express slot on the storage converter, and then press the mSATA solid-state drive downward.

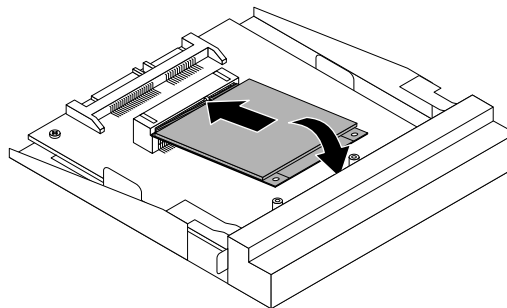


Figure 126. Installing the mSATA solid state drive into the storage converter

7. Install the two screws to secure the mSATA solid-state drive to the storage converter.

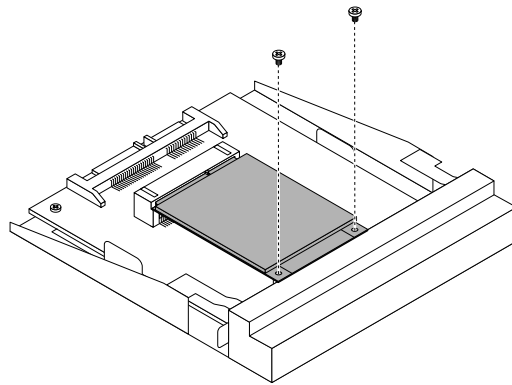


Figure 127. Installing the screws that secure the mSATA solid state drive

8. Insert the mSATA solid-state drive storage converter to the chassis and push the converter to the left to align the screw hole in the converter with the corresponding hole in the chassis. Then install the screw to secure the mSATA solid-state drive storage converter to the chassis.

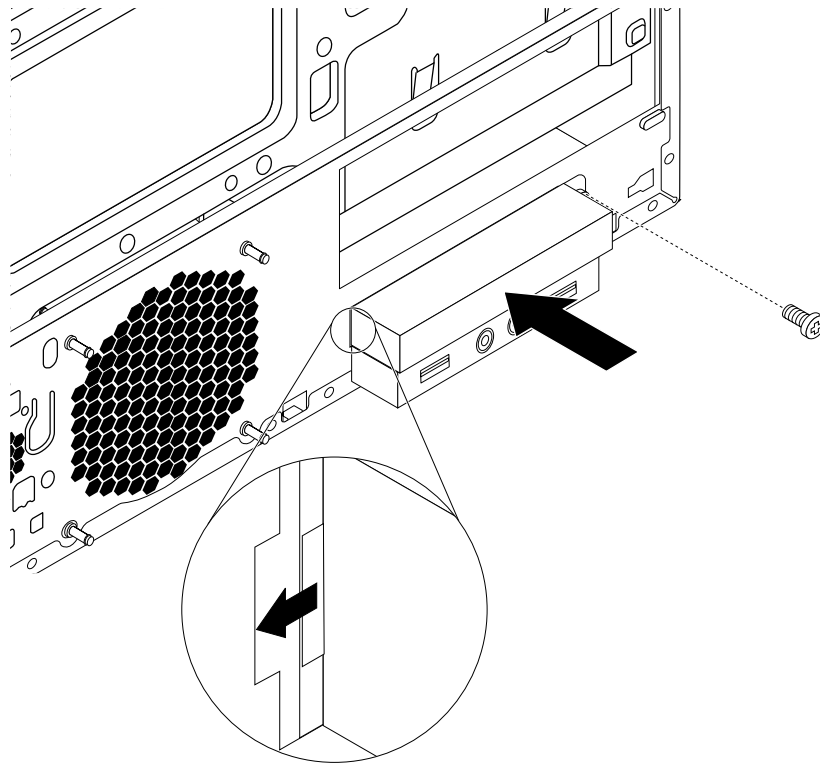


Figure 128. Installing the mSATA solid-state drive

9. Connect the signal cable and the power cable to the mSATA solid-state drive.

What to do next:

- To work with another piece of hardware, go to the appropriate section.
- To complete the installation or replacement, go to “Completing the parts replacement” on page 223.

Replacing the mSATA solid-state drive

To replace the mSATA solid-state drive, do the following:

1. Turn off the computer and disconnect all power cords from electrical outlets.
2. Remove the computer cover. See “Removing the computer cover” on page 144.
3. Remove the front bezel. See “Removing and reinstalling the front bezel” on page 145.
4. Locate the card reader drive bay.
5. Press the release tab **1** as shown and pivot the drive bay assembly upward.

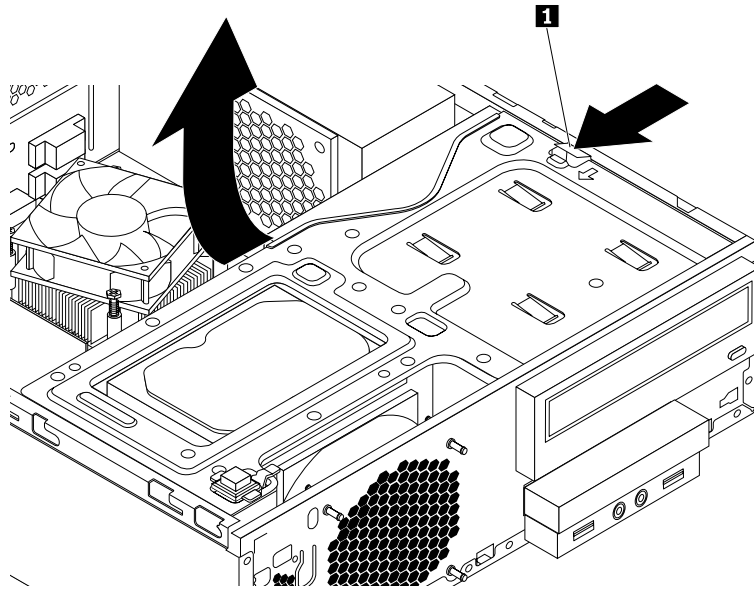


Figure 129. Pivoting the drive bay assembly upward

6. Disconnect the signal cable and power cable from the mSATA solid state drive.

7. Remove the screw that secures the mSATA solid-state drive storage converter. Then remove the mSATA solid-state drive storage converter from the chassis.

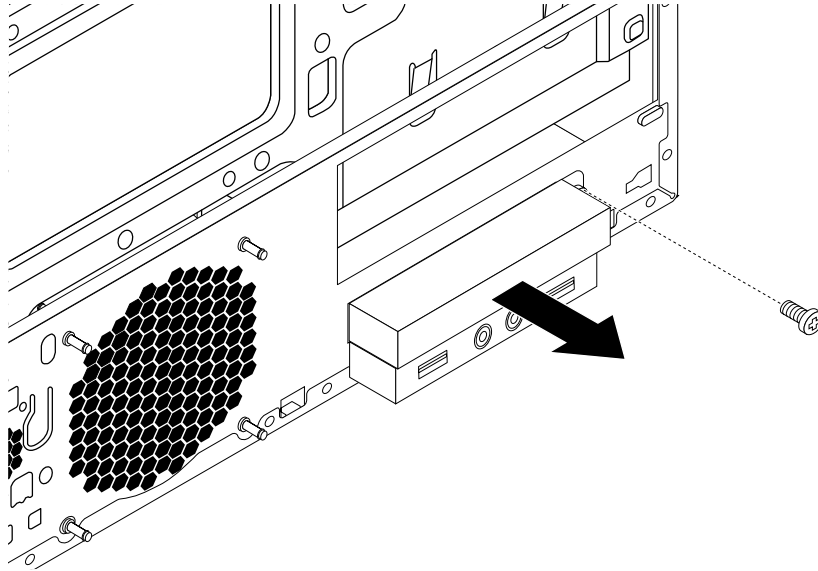


Figure 130. Removing the mSATA solid-state drive storage converter

8. Remove the two screws that secure the mSATA solid-state drive from the storage converter.

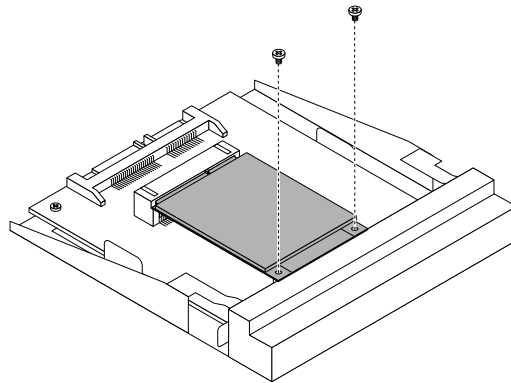


Figure 131. Removing the screws that secure the mSATA solid state drive

9. Remove the mSATA solid-state drive from the mini PCI Express slot on the storage converter.

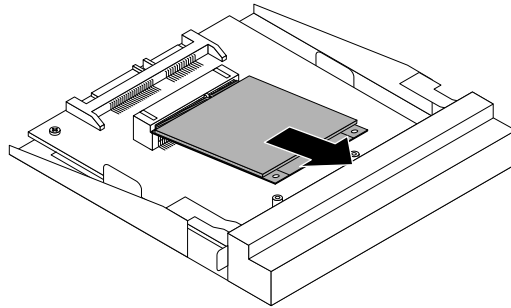


Figure 132. Removing the mSATA solid state drive

10. To install a new mSATA solid-state drive, insert the mSATA solid-state drive into the mini PCI Express slot on the storage converter, and then press the mSATA solid-state drive downward.

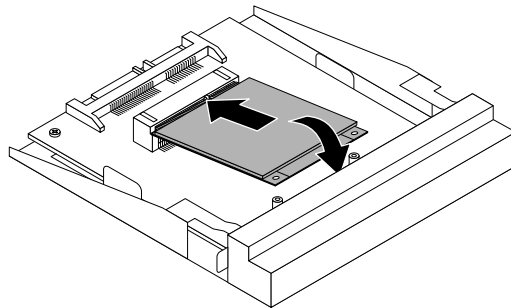


Figure 133. Installing the mSATA solid state drive into the storage converter

11. Install the two screws to secure the mSATA solid-state drive to the storage converter.

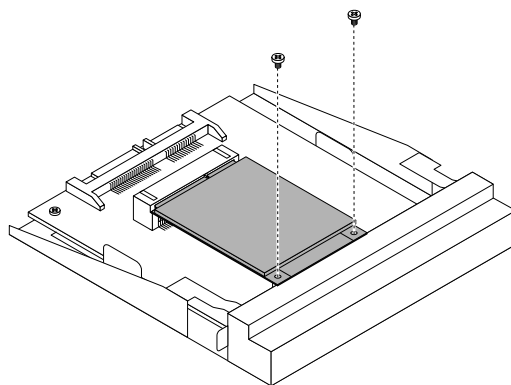


Figure 134. Installing the screws that secure the mSATA solid state drive

12. Insert the mSATA solid-state drive storage converter to the chassis and push the converter to the left to align the screw hole in the converter with the corresponding hole in the chassis. Then install the screw to secure the mSATA solid-state drive storage converter to the chassis.

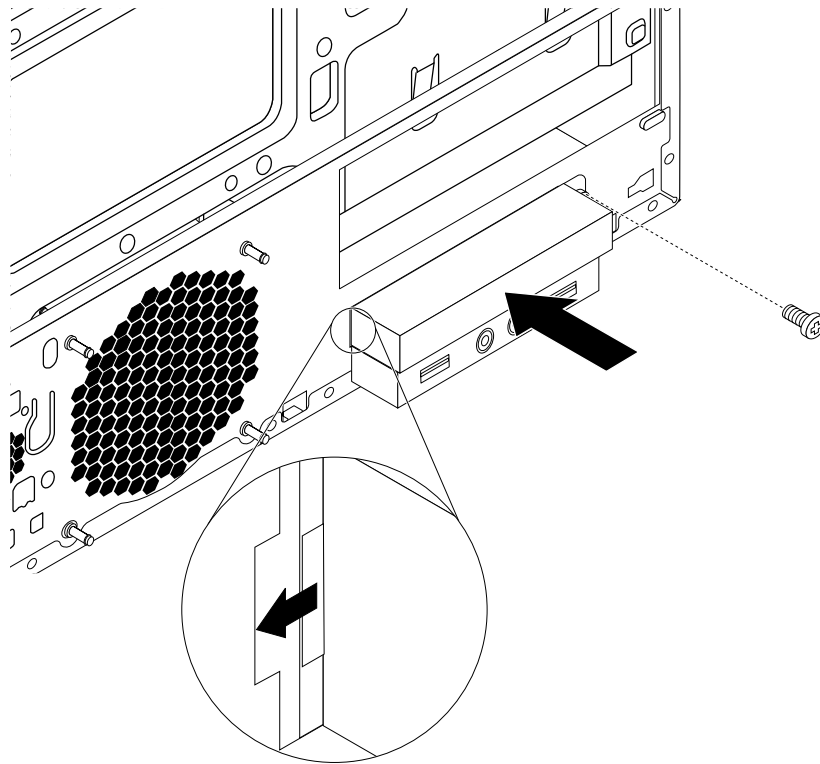


Figure 135. Installing the mSATA solid-state drive

13. Connect the signal cable and the power cable to the mSATA solid-state drive.

What to do next:

- To work with another piece of hardware, go to the appropriate section.
- To complete the installation or replacement, go to “Completing the parts replacement” on page 223.

Installing or replacing a device in the optical drive bay

Important: Before you replace any FRU, be sure to read and understand Chapter 1 “Safety information” on page 1.

This section provides instructions on how to install or replace an optical drive.

Note: The following instructions also apply to a 5.25-inch flex module or 5.25-inch cage assembly.

To install or replace an optical drive, do the following:

1. Remove all media from the drives and turn off all attached devices and the computer. Then, disconnect all power cords from electrical outlets and disconnect all cables that are connected to the computer.
2. Remove the computer cover. See “Removing the computer cover” on page 144.
3. Remove the front bezel. See “Removing and reinstalling the front bezel” on page 145.

4. Press the release tab **1** as shown and pivot the drive bay assembly upward.

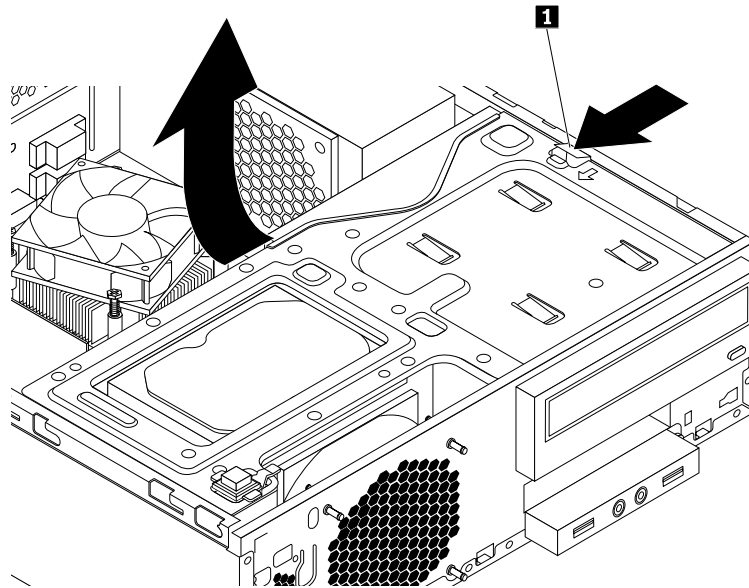


Figure 136. Pivoting the drive bay assembly upward

5. If you are installing a new optical drive, do the following:
 - a. Remove the metal static shield from the bay.
 - b. Locate the optical drive retainer from the left side of the computer. Push the optical drive retainer downwards to unlock the retainer. Then lift the optical drive retainer out of the chassis.
- If you are replacing an optical drive, do the following:
- a. Disconnect all cables from the rear of the optical drive.

- b. Press the optical drive lock **1** on the right side of the drive bay assembly and slide the optical drive out of the rear of the bay. Then remove the optical drive retainer from the left side of the optical drive.

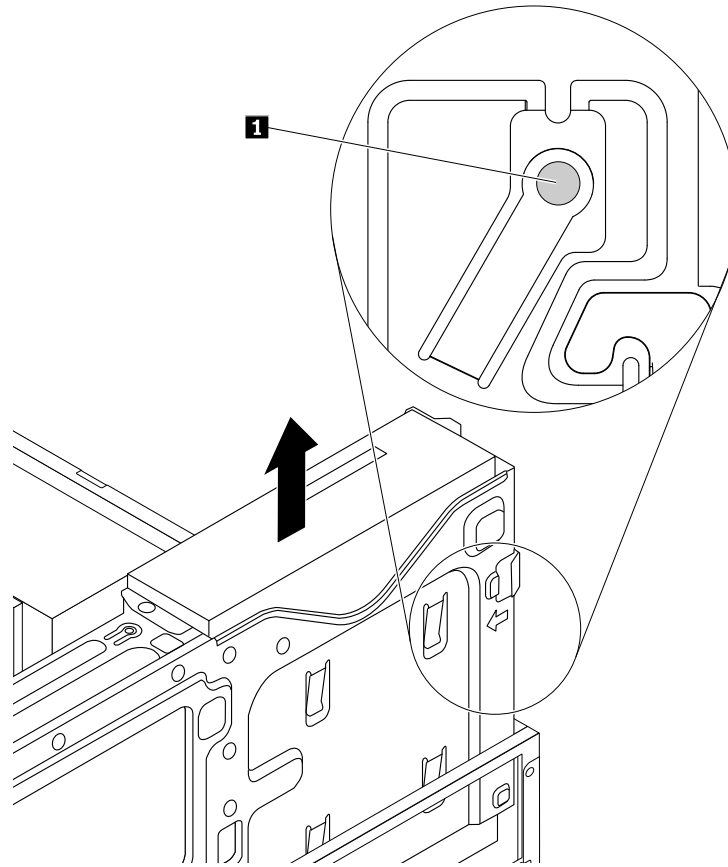


Figure 137. Removing the optical drive

6. Install the optical drive retainer on the side of the new optical drive.

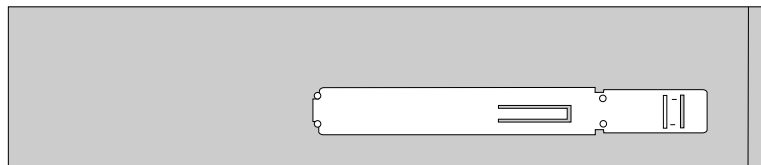


Figure 138. Installing the optical drive retainer

7. Slide the new optical drive into the drive bay until the optical drive snaps into position.

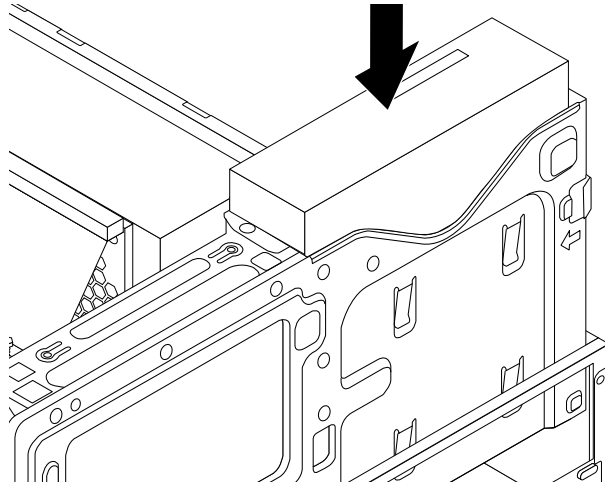


Figure 139. Installing the optical drive

8. Connect any required cables. For the optical drive, connect the power cable and the signal cable to the rear of the optical drive.

What to do next:

- To work with another piece of hardware, go to the appropriate section.
- To complete the installation or replacement, go to “Completing the parts replacement” on page 223.

Installing or replacing a device in the 5.25-inch flex module

Important: Before you replace any FRU, be sure to read and understand Chapter 1 “Safety information” on page 1.

This section provides instructions on how to a device in the 5.25-inch flex module. Installing and replacing a device in the 5.25-inch flex module involves the following operations:

- “Installing or replacing a slim optical drive in the flex module” on page 165
- “Installing or replacing a card reader in the flex module” on page 168
- “Installing or replacing an eSATA connector or IEEE 1394 connector in the flex module” on page 170

Installing or replacing a slim optical drive in the flex module

To install or replace a slim optical drive in the flex module, do the following:

1. Slide the flex module out of the front of the computer. See “Installing or replacing a device in the optical drive bay” on page 162.

2. Lift the clip on the side of the flex module upward and slide the flex module cover to the rear of the flex module to remove the cover.

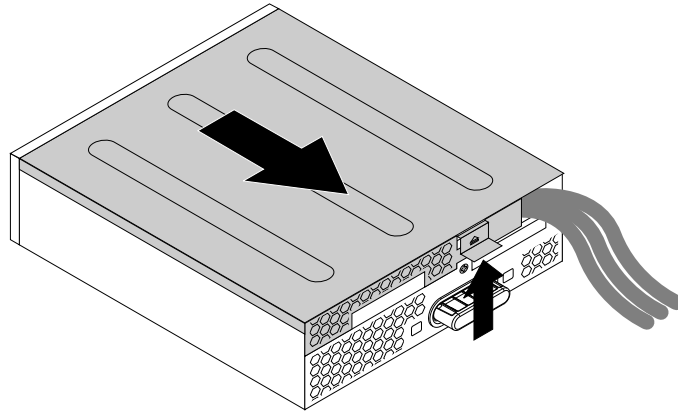


Figure 140. Removing the flex module cover

3. If you are replacing an old slim optical drive, do the following:
 - a. press the tab as shown to remove the slim optical drive out of the flex module.

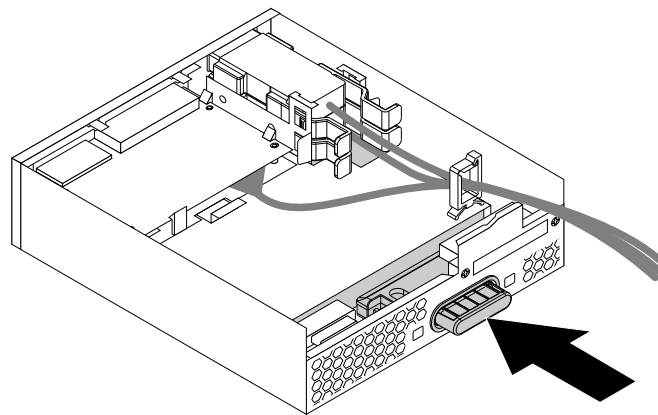


Figure 141. Removing the slim optical drive in the flex module

- b. Remove the screws that secure the clip to remove the clip from the side of the slim optical drive.

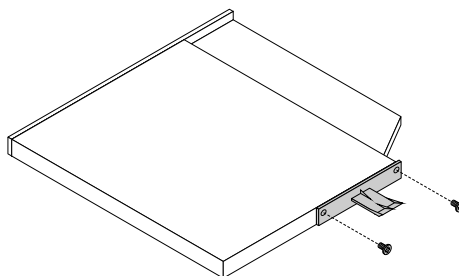


Figure 142. Removing the clip of the slim optical drive in the flex module

4. Install the screws to secure the clip on the side of the new slim optical drive.

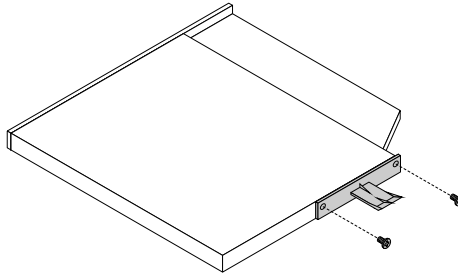


Figure 143. Installing the clip of the slim optical drive in the flex module

5. Slide the new slim optical drive with the clip into the flex module until the slim optical drive snaps into position.

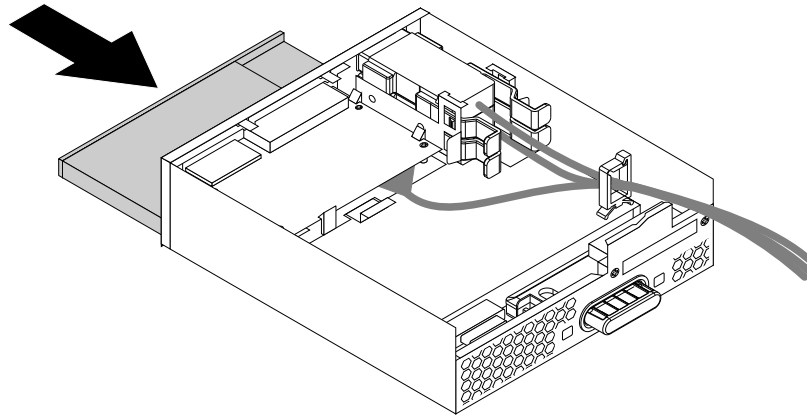


Figure 144. Installing the slim optical drive in the flex module

6. Position the flex module cover on the flex module so that the rail guides on the bottom of the flex module cover engage the rails on the flex module. Then, push the cover to the front of the flex module until it snaps into position.

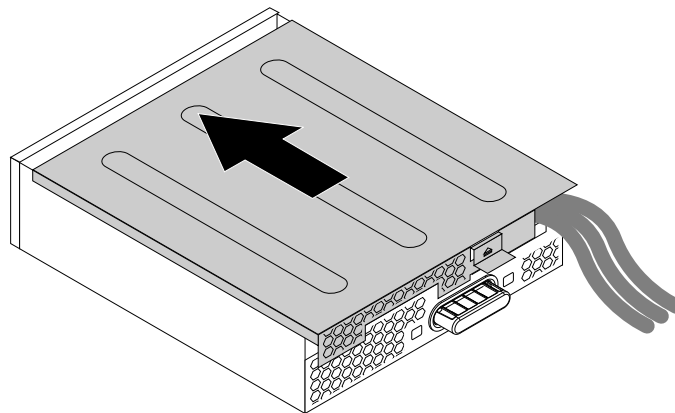


Figure 145. Reinstalling the flex module cover

What to do next:

- To work with another piece of hardware, go to the appropriate section.
- To complete the installation or replacement, go to “Completing the parts replacement” on page 223.

Installing or replacing a card reader in the flex module

To install or replace a card reader in the flex module, do the following:

1. Slide the flex module out of the front of the computer. See “Installing or replacing a device in the optical drive bay” on page 162.
2. Lift the clip on the side of the flex module upward and slide the flex module cover to the rear of the flex module to remove the cover.

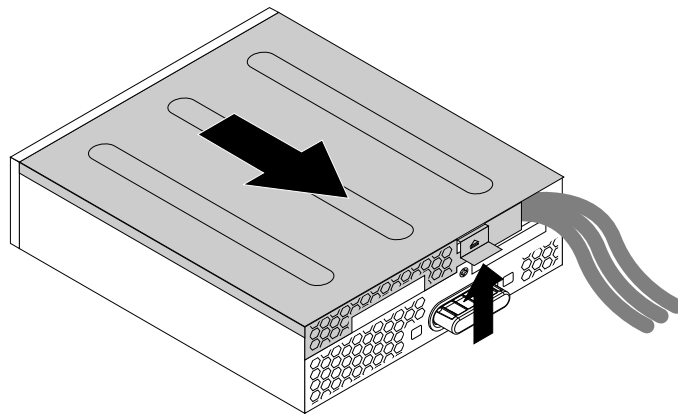


Figure 146. Removing the flex module cover

3. If you are replacing a card reader, do the following:
 - a. Disconnect the card reader cable from the system board. See “Locating parts on the system board” on page 72.
 - b. Pull the clip as shown to remove the card reader with the card reader retaining bracket out of the flex module.

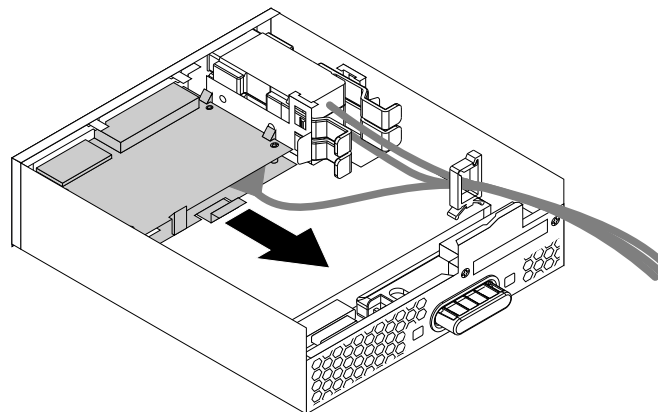


Figure 147. Removing the card reader in the flex module

- c. Flex the four clips on the sides of the card reader retaining bracket to remove the card reader from the bracket.

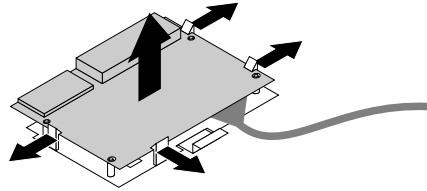


Figure 148. Removing the card reader from the card reader retaining bracket

4. To install a new card reader into the card reader retaining bracket, align the four holes in the card reader with the corresponding studs on the bracket and then press the new card reader downward until it snaps into position.

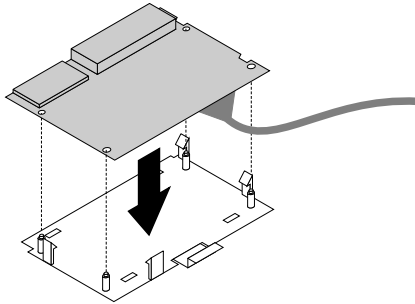


Figure 149. Installing the card reader into the card reader retaining bracket

5. Note the orientation of the new card reader and route the card reader cable into the cable clip. Hold the clip on the card reader retaining bracket to insert the new card reader into the card reader slot in flex module until it snaps into position.

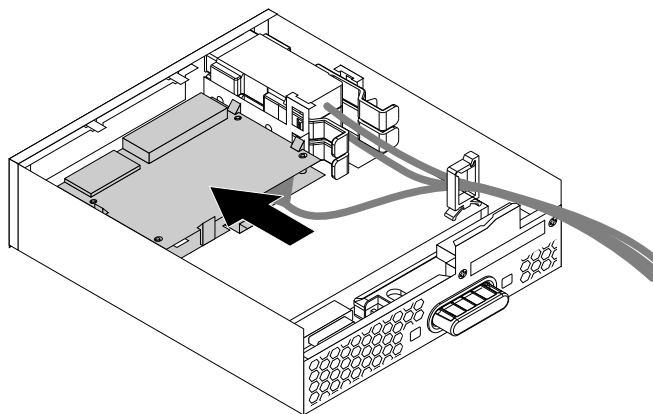


Figure 150. Installing the card reader in the flex module

- Position the flex module cover on the flex module so that the rail guides on the bottom of the flex module cover engage the rails on the flex module. Then, push the cover to the front of the flex module until it snaps into position.

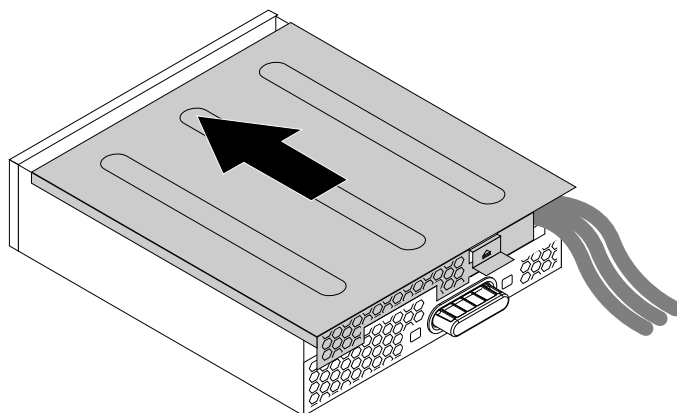


Figure 151. Reinstalling the flex module cover

- Connect the card reader cable to the USB 2.0 connector or card reader connector on the system board. See “Locating parts on the system board” on page 72.

What to do next:

- To work with another piece of hardware, go to the appropriate section.
- To complete the installation or replacement, go to “Completing the parts replacement” on page 223.

Installing or replacing an eSATA connector or IEEE 1394 connector in the flex module

To install or replace an eSATA connector or IEEE 1394 connector in the flex module, do the following:

- Slide the flex module out of the front of the computer. See “Installing or replacing a device in the optical drive bay” on page 162.
- Lift the clip on the side of the flex module upward and slide the flex module cover to the rear of the flex module to remove the cover.

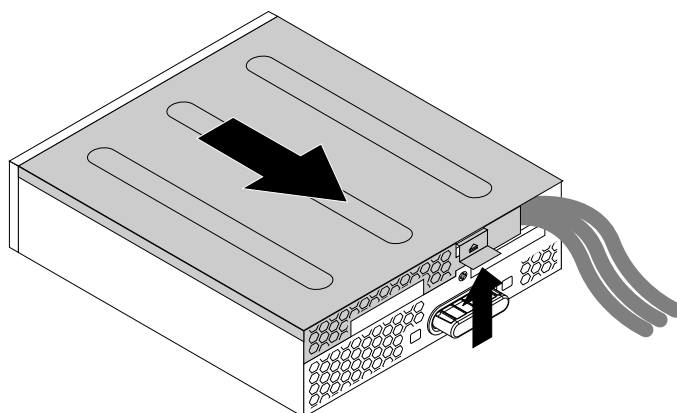


Figure 152. Removing the flex module cover

- If you are replacing an eSATA connector or IEEE 1394 connector, do the following:

- a. Disconnect the eSATA connector or IEEE 1394 connector cable from the system board. See “Locating parts on the system board” on page 72.
- b. Press the two clips toward each other as shown to pull the eSATA connector or IEEE 1394 connector out of the flex module.

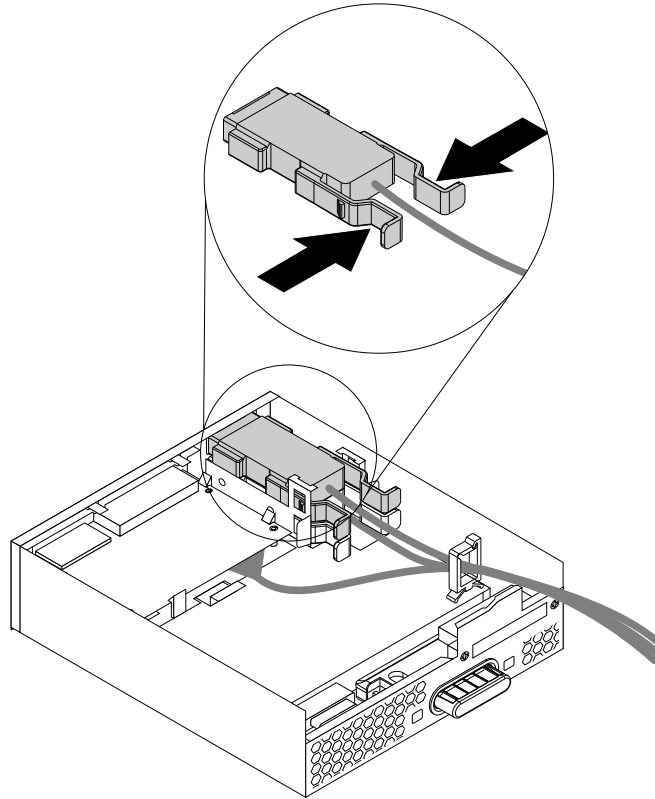


Figure 153. Removing the eSATA connector or IEEE 1394 connector in the flex module

4. Note the orientation of the eSATA connector or IEEE 1394 connector and route the eSATA connector or IEEE 1394 connector cable into the cable clip.
5. Place the eSATA connector or IEEE 1394 connector into the metal retainer. Then insert the eSATA connector or IEEE 1394 connector into the corresponding slot in the flex module as shown.

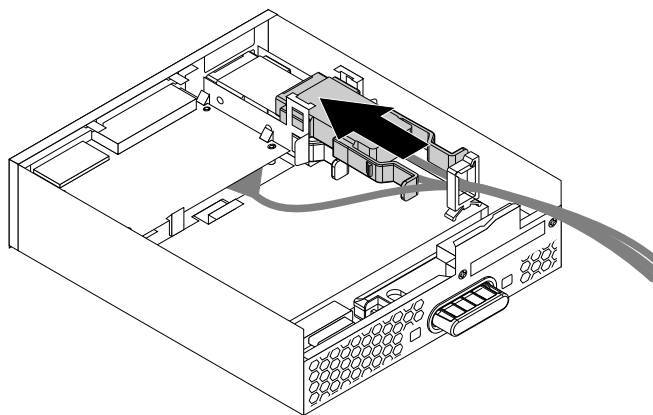


Figure 154. Installing the eSATA connector or IEEE 1394 connector in the flex module

6. Position the flex module cover on the flex module so that the rail guides on the bottom of the flex module cover engage the rails on the flex module. Then, push the cover to the front of the flex module until it snaps into position.

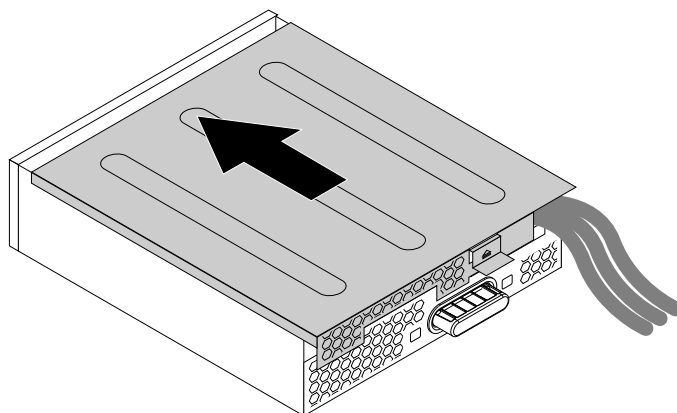


Figure 155. Reinstalling the flex module cover

7. Connect the eSATA connector or IEEE 1394 connector cable to the corresponding connector on the system board. See “Locating parts on the system board” on page 72.

What to do next:

- To work with another piece of hardware, go to the appropriate section.
- To complete the installation or replacement, go to “Completing the parts replacement” on page 223.

Installing or replacing a device in the 5.25-inch cage assembly

Important: Before you replace any FRU, be sure to read and understand Chapter 1 “Safety information” on page 1.

This section provides instructions on how to a device in the 5.25-inch cage assembly. Installing and replacing a device in the 5.25-inch cage assembly involves the following operations:

- “Installing or replacing a slim optical drive in the 5.25-inch cage assembly” on page 172
- “Installing or replacing a hard disk drive in the 5.25-inch cage assembly” on page 174
- “Installing or replacing a slim optical drive conversion board in the 5.25-inch cage assembly” on page 176
- “Installing or replacing the fan of the 5.25-inch cage assembly” on page 176

Installing or replacing a slim optical drive in the 5.25-inch cage assembly

To install or replace a slim optical drive in the 5.25-inch cage assembly, do the following:

1. Slide the 5.25-inch cage assembly out of the front of the computer. See “Installing or replacing a device in the optical drive bay” on page 162.
2. If you are replacing an old slim optical drive, do the following:

- a. press the release button **1** to eject the tab **2** that secures the slim optical drive. Then, slide the slim optical drive out of the front of the 5.25-inch cage assembly.

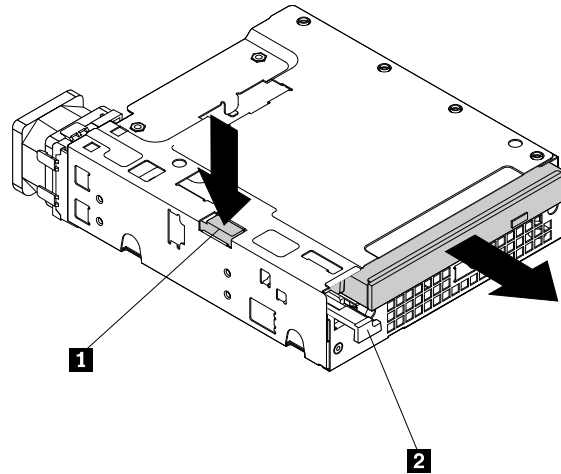


Figure 156. Removing the slim optical drive in the 5.25-inch cage assembly

- b. Remove the two screws that secure the slim optical drive retainer.

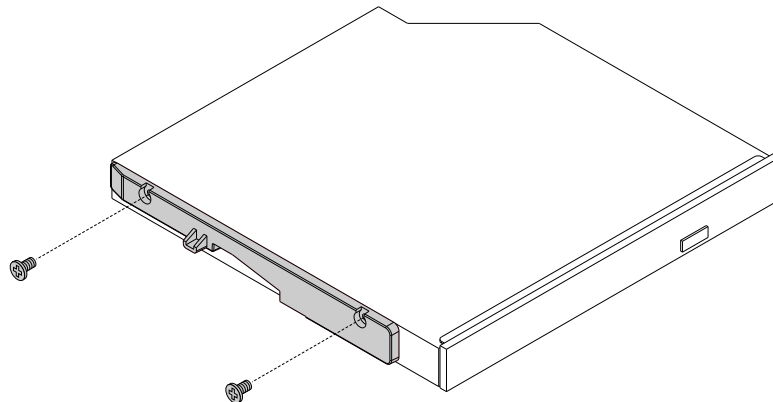


Figure 157. Removing the slim optical drive retainer

3. Install the two screws to secure the slim optical drive retainer to the side of the new slim optical drive.

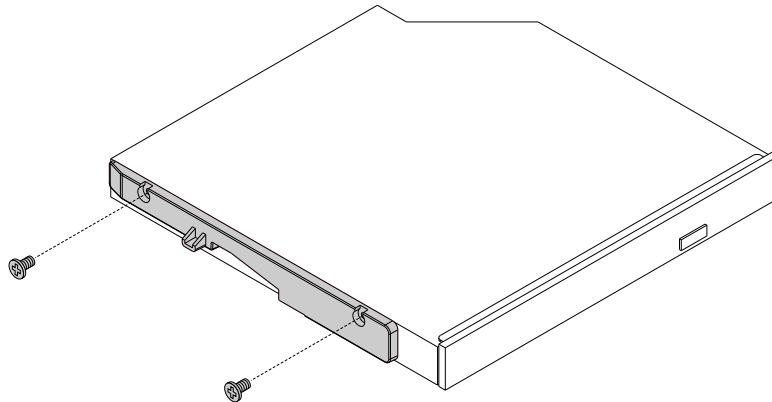


Figure 158. Installing the slim optical drive retainer

4. Install the slim optical drive with the retainer into the 5.25-inch cage assembly. Press the tab at the front of the 5.25-inch cage assembly until you hear a click. The slim optical drive is secured in place.

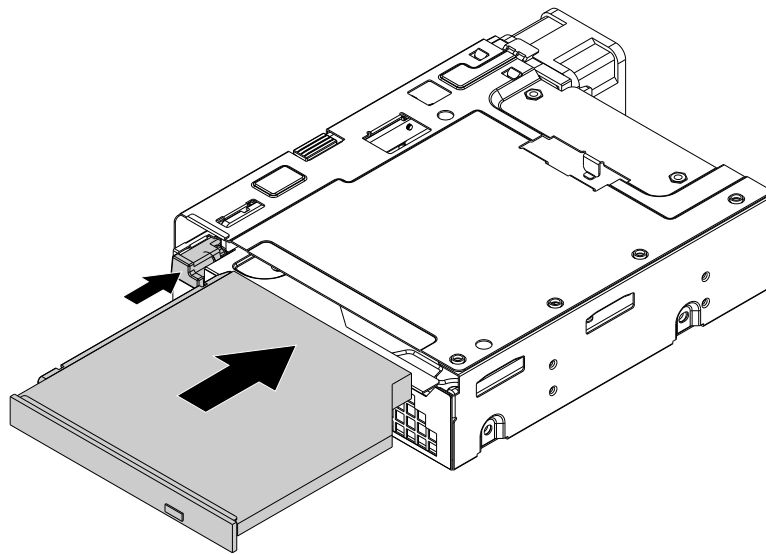


Figure 159. Installing the slim optical drive in the 5.25-inch cage assembly

What to do next:

- To work with another piece of hardware, go to the appropriate section.
- To complete the installation or replacement, go to “Completing the parts replacement” on page 223.

Installing or replacing a hard disk drive in the 5.25-inch cage assembly

To install or replace a slim optical drive in the 5.25-inch cage assembly, do the following:

1. Slide the 5.25-inch cage assembly out of the front of the computer. See “Installing or replacing a device in the optical drive bay” on page 162.

2. If you are replacing an old hard disk drive, remove the four screws that secure the hard disk drive. Then, slide the hard disk drive out of the rear of the 5.25-inch cage assembly.

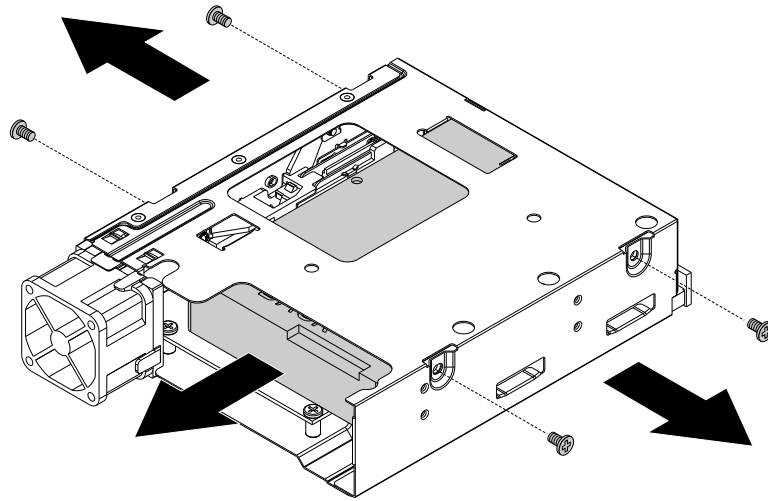


Figure 160. Removing the hard disk drive from the 5.25-inch cage assembly

3. To install a new hard disk drive, slide the new hard disk drive into the 5.25-inch cage assembly from the rear of the 5.25-inch cage assembly. Then install the four screws to secure the new hard disk drive in the 5.25-inch cage assembly.

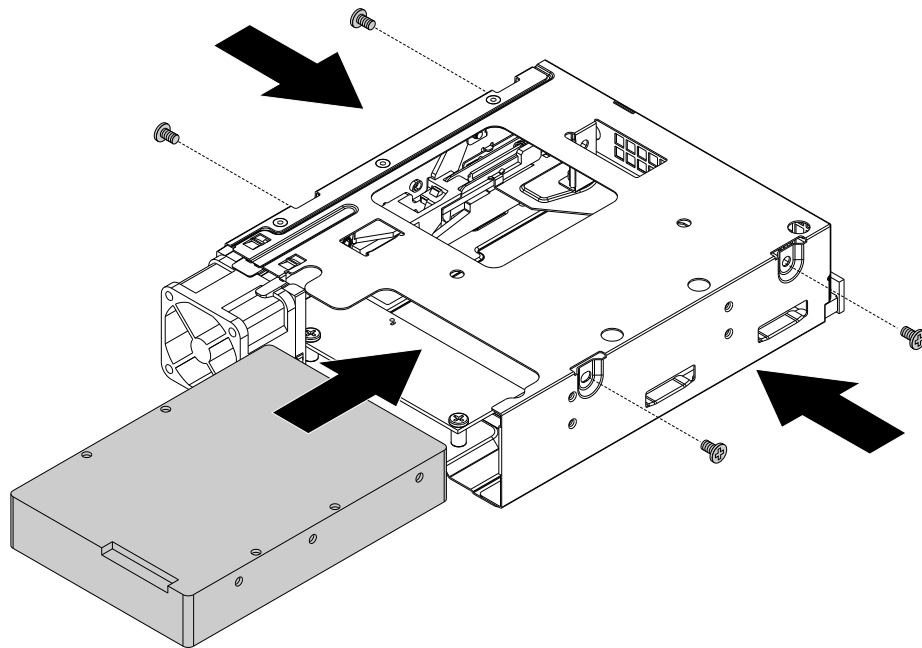


Figure 161. Installing the hard disk drive in the 5.25-inch cage assembly

What to do next:

- To work with another piece of hardware, go to the appropriate section.
- To complete the installation or replacement, go to “Completing the parts replacement” on page 223.

Installing or replacing the fan of the 5.25-inch cage assembly

To install or replace the fan on the 5.25-inch cage assembly, do the following:

1. Slide the 5.25-inch cage assembly out of the front of the computer. See “Installing or replacing a device in the optical drive bay” on page 162.
2. If you are replacing an old cage assembly fan, pivot the four retaining clips on the cage assembly fan bracket as shown to disengage the fan from the 5.25-inch cage assembly.

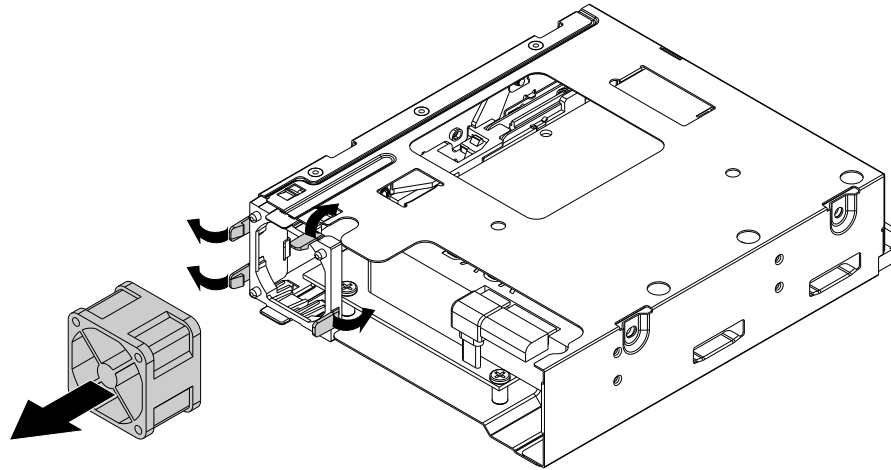


Figure 162. Removing the fan from the 5.25-inch cage assembly

3. To install a new cage assembly fan, align the four holes in the new fan with the corresponding tabs on the fan bracket until the new fan is secured in place.

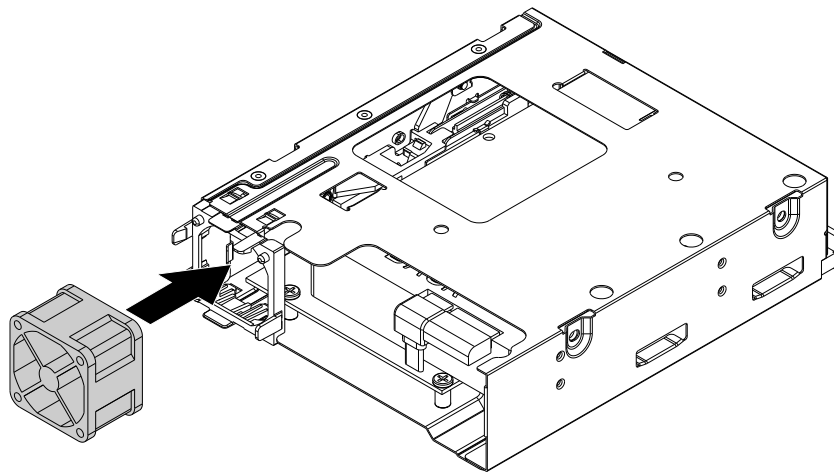


Figure 163. Installing the fan in the cage assembly

What to do next:

- To work with another piece of hardware, go to the appropriate section.
- To complete the installation or replacement, go to “Completing the parts replacement” on page 223.

Installing or replacing a slim optical drive conversion board in the 5.25-inch cage assembly

To install or replace a slim optical drive conversion board in the 5.25-inch cage assembly, do the following:

1. Slide the 5.25-inch cage assembly out of the front of the computer. See “Installing or replacing a device in the optical drive bay” on page 162.
2. Remove the slim optical drive from the 5.25-inch cage assembly. See “Installing or replacing a slim optical drive in the 5.25-inch cage assembly” on page 172.
3. Remove the hard disk drive from the 5.25-inch cage assembly. See “Installing or replacing a hard disk drive in the 5.25-inch cage assembly” on page 174.
4. If you are replacing an old slim optical drive conversion board, remove the two screws that secure the slim optical drive conversion board. Then, pivot the slim optical drive conversion board to remove it out of the 5.25-inch cage assembly.

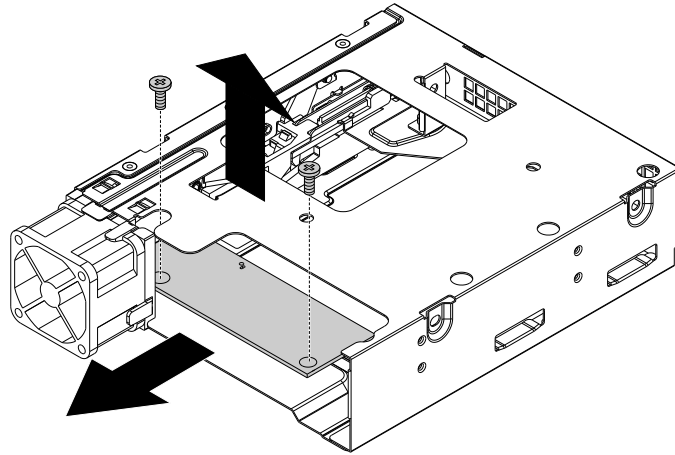


Figure 164. Removing the slim optical drive conversion board

5. Install the new slim optical drive conversion board into the 5.25-inch cage assembly. Then install the two screws to secure the new slim optical drive conversion board.

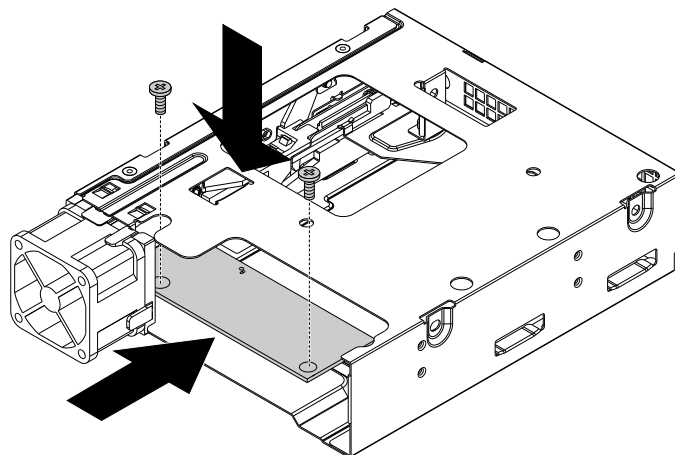


Figure 165. Installing the slim optical drive conversion board

6. Install the slim optical drive in the 5.25-inch cage assembly. See “Installing or replacing a slim optical drive in the 5.25-inch cage assembly” on page 172.
7. Install the hard disk drive in the 5.25-inch cage assembly. See “Installing or replacing a hard disk drive in the 5.25-inch cage assembly” on page 174.

What to do next:

- To work with another piece of hardware, go to the appropriate section.
- To complete the installation or replacement, go to “Completing the parts replacement” on page 223.

Installing or replacing the solid-state drive

Important: Before you replace any FRU, be sure to read and understand Chapter 1 “Safety information” on page 1.

This section provides instructions on how to install or replace the solid-state drive.

Note: The solid-state drive is only available on some models. For new installation, see “Installing the solid-state drive” on page 178. For replacement, see “Replacing the solid-state drive” on page 179.

Installing the solid-state drive

Important: Before you replace any FRU, be sure to read and understand Chapter 1 “Safety information” on page 1.

This section provides instructions on how to install the 2.5-inch solid-state drive.

To install the solid-state drive, do the following:

1. Install the solid-state drive into the storage converter. Then, install the four screws to secure the solid-state drive to the storage converter.

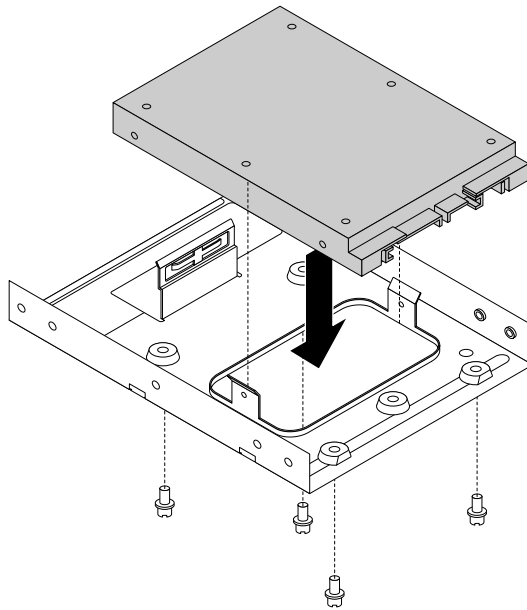


Figure 166. Installing the solid-state drive into the storage converter

2. To install the solid-state drive with the storage converter into the 3.5-inch hard disk drive bracket, flex the bracket and align pin **1**, pin **2**, pin **3**, and pin **4** on the bracket with the corresponding holes in the storage converter.

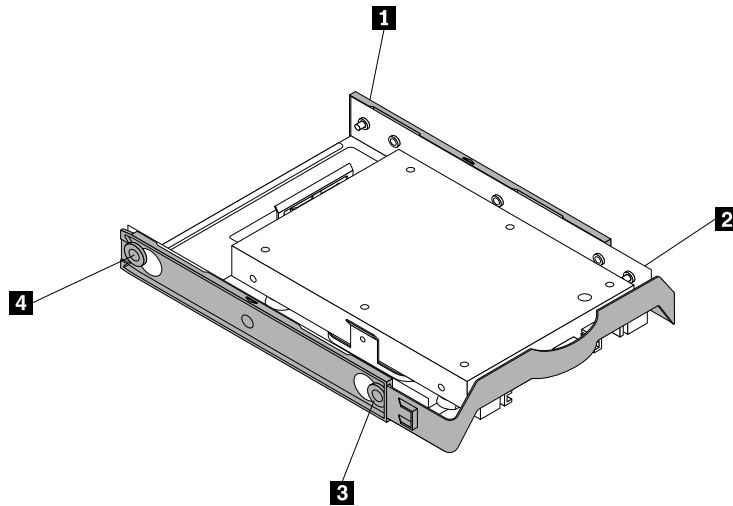


Figure 167. Installing the storage converter together with the solid-state drive into the hard disk drive bracket

3. Install the storage converter with the bracket into the desired hard-disk-drive bay. See “Replacing the primary hard disk drive” on page 201 or “Replacing the secondary hard disk drive” on page 203.
4. Connect the signal cable and the power cable to the solid-state drive.

What to do next:

- To work with another piece of hardware, go to the appropriate section.
- To complete the installation or replacement, go to “Completing the parts replacement” on page 223.

Replacing the solid-state drive

Important: Before you replace any FRU, be sure to read and understand Chapter 1 “Safety information” on page 1.

To replace the solid-state drive, do the following:

1. Remove all media from the drives and turn off all attached devices and the computer. Then, disconnect all power cords from electrical outlets and disconnect all cables that are connected to the computer.
2. Remove the computer cover. See “Removing the computer cover” on page 144.
3. Locate the desired hard-disk-drive bay.
4. Disconnect the signal cable and power cable from the solid-state drive.
5. Remove the storage converter with the solid-state drive from the hard disk drive bay. See “Replacing the primary hard disk drive” on page 201 or “Replacing the secondary hard disk drive” on page 203.

6. Flex the sides of the plastic 3.5-inch hard disk drive bracket to pull pins on the bracket out of the corresponding holes in the storage converter. Then remove the storage converter from the bracket.

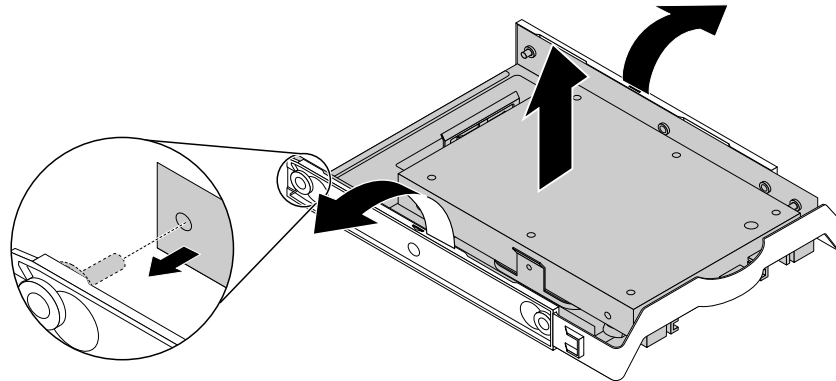


Figure 168. Removing the storage converter from the 3.5-inch hard disk drive bracket

7. Remove the four screws that secure the solid-state drive. Then lift the solid-state drive out of the storage converter.

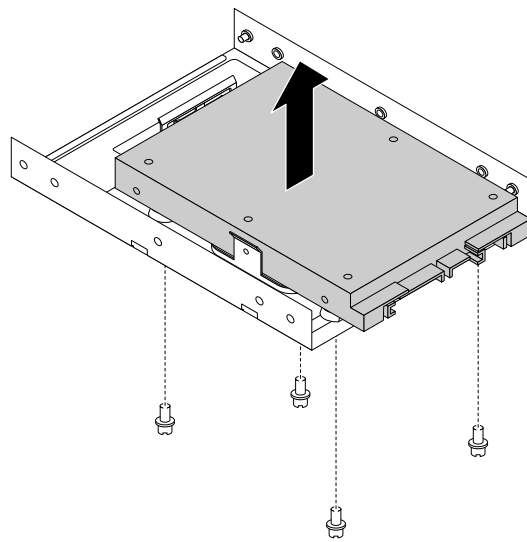


Figure 169. Removing the solid-state drive from the storage converter

8. Install a new solid-state drive into the storage converter. Then install the four screws to secure the new solid-state drive to the storage converter.

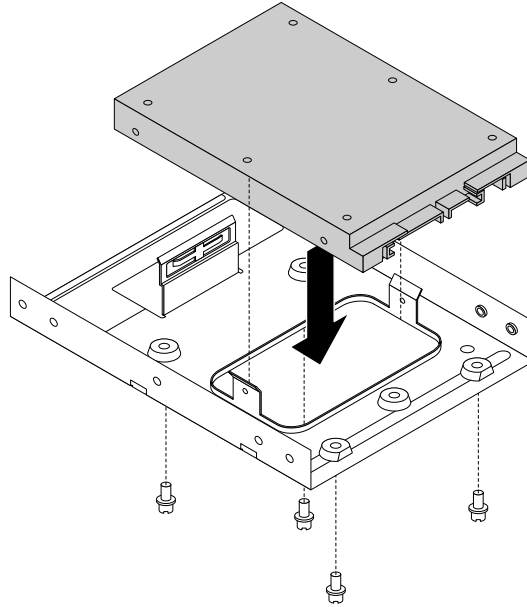


Figure 170. Installing the new solid-state drive into the storage converter

9. To install the storage converter into the 3.5-inch hard disk drive bracket, flex the bracket and align pin **1**, pin **2**, pin **3**, and pin **4** on the bracket with the corresponding holes in the storage converter.

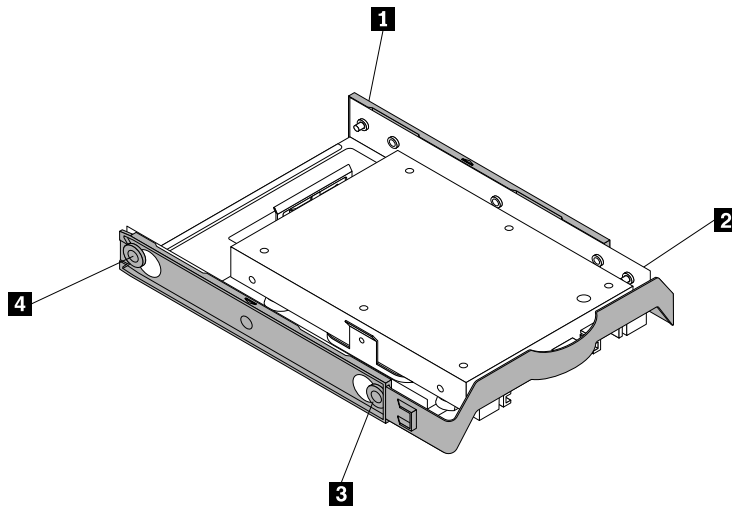


Figure 171. Installing the storage converter with the new solid-state drive into the hard disk drive bracket

10. Install the storage converter with the bracket into the hard-disk-drive bay. See “Replacing the primary hard disk drive” on page 201 or “Replacing the secondary hard disk drive” on page 203.
11. Connect the signal cable and the power cable to the solid-state drive.

What to do next:

- To work with another piece of hardware, go to the appropriate section.

- To complete the installation or replacement, go to “Completing the parts replacement” on page 223.

Replacing the front audio and USB assembly

Important: Before you replace any FRU, be sure to read and understand Chapter 1 “Safety information” on page 1.

This section provides instructions on how to replace the front audio and USB assembly.

To replace the front audio and USB assembly, do the following:

1. Turn off the computer and disconnect all power cords from electrical outlets.
2. Remove the computer cover. See “Removing the computer cover” on page 144.
3. Remove the front bezel. See “Removing and reinstalling the front bezel” on page 145.
4. Locate the front audio and USB assembly. See “Locating major FRUs and CRUs” on page 76.
5. Press the release tab **1** as shown and pivot the drive bay assembly upward.

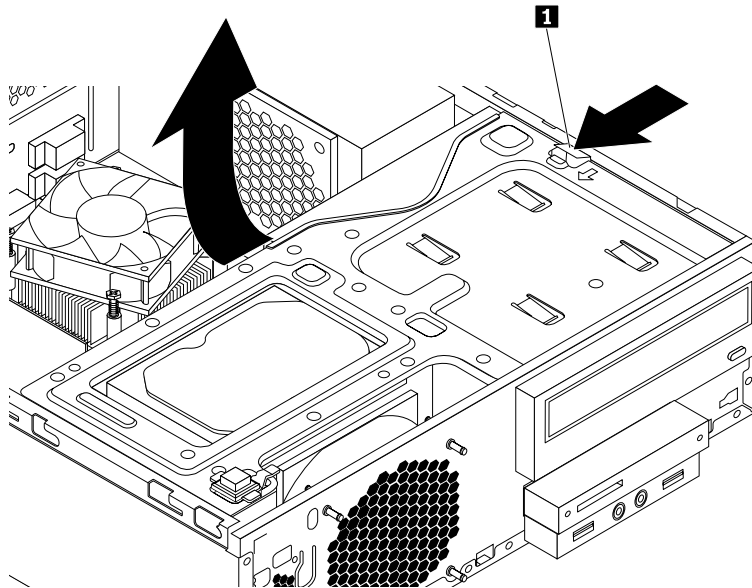


Figure 172. Pivoting the drive bay assembly upward

6. Disconnect the front audio and USB assembly cables from the system board. See “Locating parts on the system board” on page 79.

Note: Ensure that you note the locations of the cables when you disconnect the cables from the system board.

7. Remove the screw that secures the front audio and USB assembly bracket to the chassis to remove the bracket from the chassis.

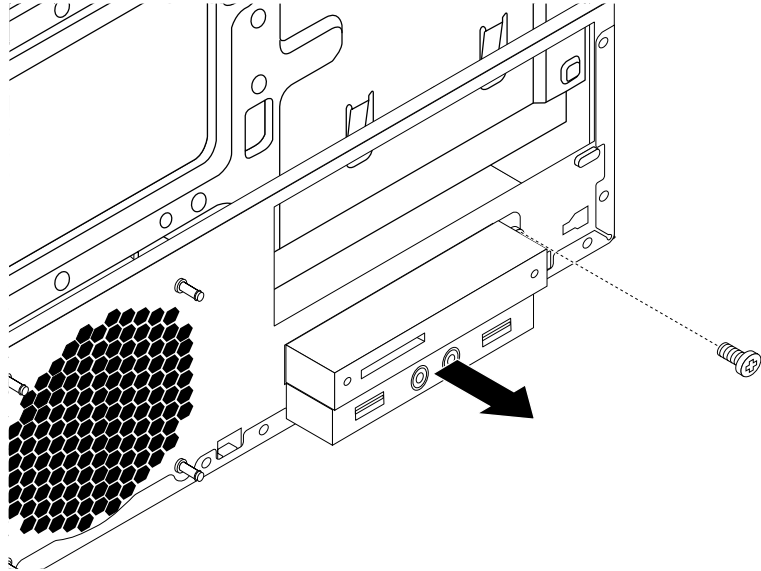


Figure 173. Removing the front audio and USB assembly

8. Remove the two screws that secure the front audio and USB assembly to its bracket and remove the failing front audio and USB assembly from the bracket.
9. Install a new front audio and USB assembly into the bracket and install the screw to secure the front audio and USB assembly to the bracket.
10. Install the front audio and USB assembly bracket into the chassis and align the screw hole in the bracket with the corresponding hole in the chassis.
11. Install the screw to secure the bracket to the chassis.
12. Reconnect the front audio and USB assembly cables to the front audio connector and the front USB connector on the system board. See “Locating parts on the system board” on page 72.
13. Reinstall the front bezel. See “Removing and reinstalling the front bezel” on page 84.

What to do next:

- To work with another piece of hardware, go to the appropriate section.
- To complete the installation or replacement, go to “Completing the parts replacement” on page 223.

Replacing the system fan

Important: Before you replace any FRU, be sure to read and understand Chapter 1 “Safety information” on page 1.

This section provides instructions on how to replace the system fan.

To replace the system fan, do the following:

1. Turn off the computer and disconnect all power cords from electrical outlets.
2. Remove the computer cover. See “Removing the computer cover” on page 144.
3. Remove the front bezel. See “Removing and reinstalling the front bezel” on page 145.
4. Press the release tab **1** as shown and pivot the drive bay assembly upward.

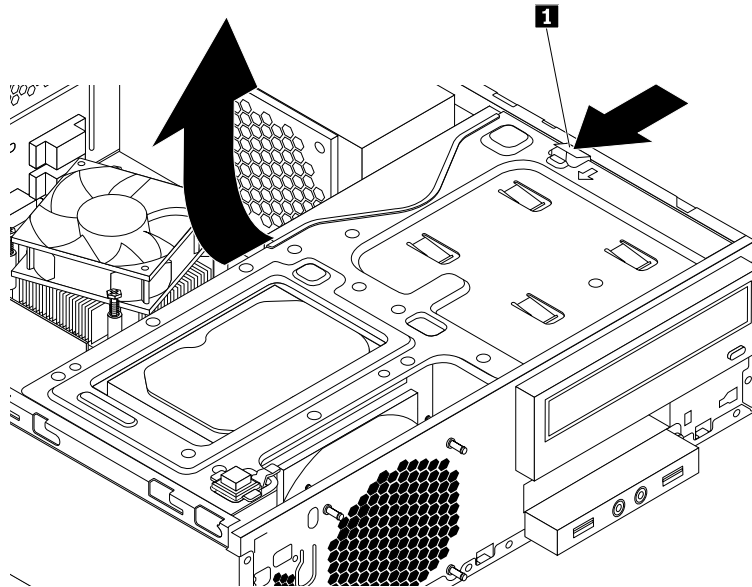


Figure 174. Pivoting the drive bay assembly upward

5. Disconnect the system fan cable from the power fan connector on the system board. See “Locating parts on the system board” on page 79.
6. The system fan is attached to the chassis by four rubber mounts. Remove the system fan by cutting the rubber mounts and lifting the system fan out of the chassis.

Note: The new system fan will have four new rubber mounts attached.

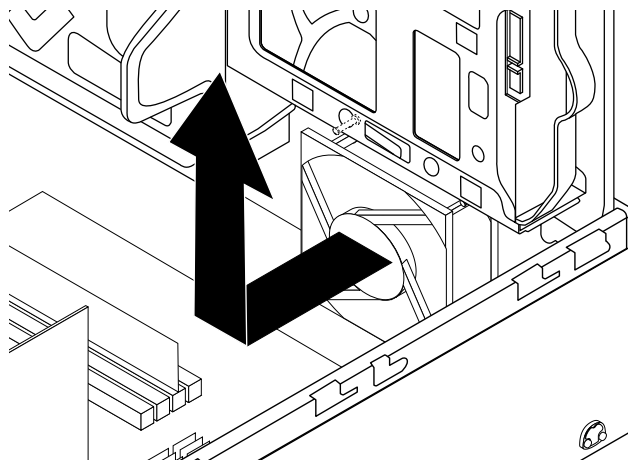


Figure 175. Removing the system fan

7. Install the new system fan by aligning the new rubber mounts that came with the new system fan with the corresponding holes in the chassis, and then push the rubber mounts through the holes. Then, carefully pull on the tips of the rubber mounts from the bottom until the new system fan is secured in place.

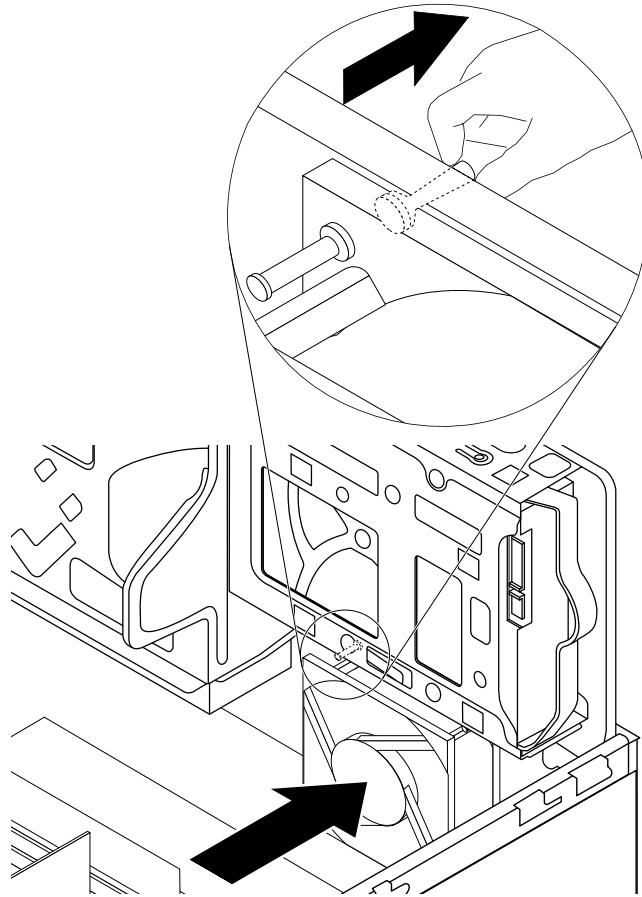


Figure 176. Installing the system fan

8. Connect the system fan cable to the power fan connector on the system board. See “Locating parts on the system board” on page 79.

What to do next:

- To work with another piece of hardware, go to the appropriate section.
- To complete the installation or replacement, go to “Completing the parts replacement” on page 223.

Replacing the heat sink and fan assembly

Important: Before you replace any FRU, be sure to read and understand Chapter 1 “Safety information” on page 1.

This section provides instructions on how to replace the heat sink and fan assembly.

CAUTION:



The heat sink and fan assembly might be very hot. Before you open the computer cover, turn off the computer and wait several minutes until the computer is cool.

To replace the heat sink and fan assembly, do the following:

1. Turn off the computer and disconnect all power cords from electrical outlets.

2. Remove the computer cover. See “Removing the computer cover” on page 144.
3. Lay the computer on its side for easier access to the system board.
4. Locate the heat sink and fan assembly. See “Locating parts on the system board” on page 79.
5. Disconnect the heat sink and fan assembly cable from the microprocessor fan connector on the system board. See “Locating parts on the system board” on page 79.
6. Follow this sequence to remove the four screws that secure the heat sink and fan assembly to the system board:
 - a. Partially remove screw **1**, then fully remove screw **2**, and then fully remove screw **1**.
 - b. Partially remove screw **3**, then fully remove screw **4**, and then fully remove screw **3**.

Note: Carefully remove the four screws from the system board to avoid any possible damage to the system board. The four screws cannot be removed from the heat sink and fan assembly.

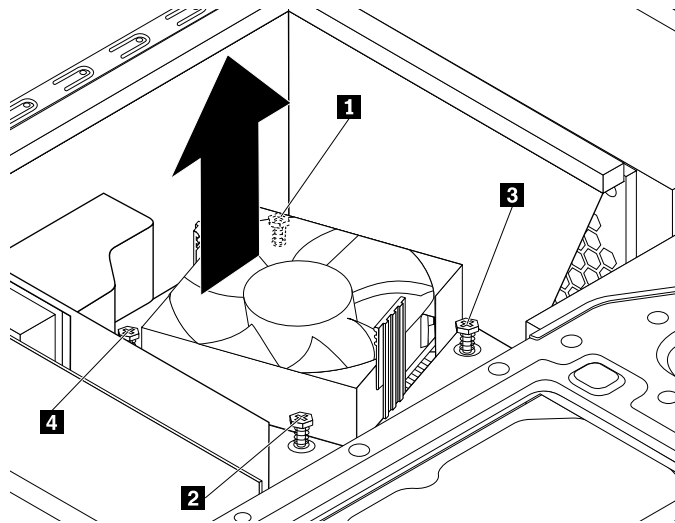


Figure 177. Screws that secure the heat sink and fan assembly

7. Lift the failing heat sink and fan assembly off the system board.

Notes:

- You might have to gently twist the heat sink and fan assembly to free it from the microprocessor.
 - Do not touch the thermal grease while handling the heat sink and fan assembly.
8. Pivot the two plastic retaining clips that secure the heat sink fan duct outward. Then remove the heat sink fan duct from the failing heat sink and fan assembly.

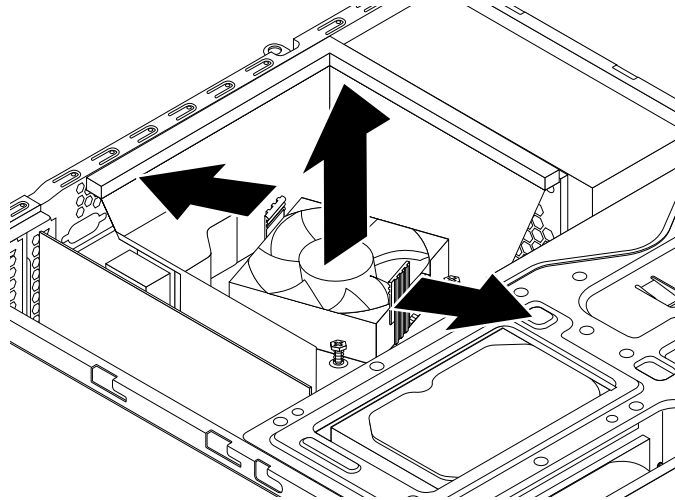


Figure 178. Removing the heat sink fan duct

9. Position the new heat sink and fan assembly on the system board so that the four screws are aligned with the holes on the system board.

Note: Position the new heat sink and fan assembly so that the heat sink and fan assembly cable is toward the microprocessor fan connector on the system board.

10. Follow the following sequence to install the four screws to secure the new heat sink and fan assembly. Do not over-tighten the screws.
 - a. Partially tighten screw **1**, then fully tighten screw **2**, and then fully tighten screw **1**.
 - b. Partially tighten screw **3**, then fully tighten screw **4**, and then fully tighten screw **3**.
11. Connect the heat sink and fan assembly cable to the microprocessor fan connector on the system board. See “Locating parts on the system board” on page 79.
12. Lower and position the heat sink fan duct on the top of the heat sink and fan assembly until it snaps into position.

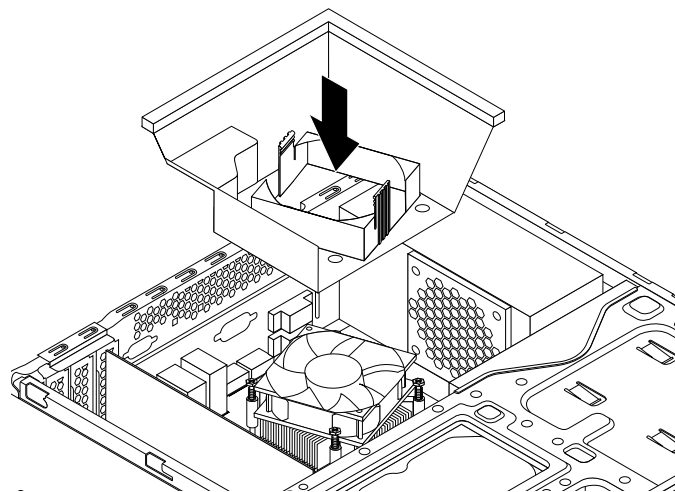


Figure 179. Installing the heat sink fan duct

What to do next:

- To work with another piece of hardware, go to the appropriate section.
- To complete the installation or replacement, go to “Completing the parts replacement” on page 223.

Replacing the internal speaker

Important: Before you replace any FRU, be sure to read and understand Chapter 1 “Safety information” on page 1.

This section provides instructions on how to replace the internal speaker.

Note: The internal speaker is only available in some models.

To replace the internal speaker, do the following:

1. Turn off the computer and disconnect all power cords from electrical outlets.
2. Remove the computer cover. See “Removing the computer cover” on page 144.
3. Remove the front bezel. See “Removing and reinstalling the front bezel” on page 145.
4. Locate the internal speaker connector on the system board. See “Locating parts on the system board” on page 79.
5. Press the release tab **1** as shown and pivot the drive bay assembly upward.

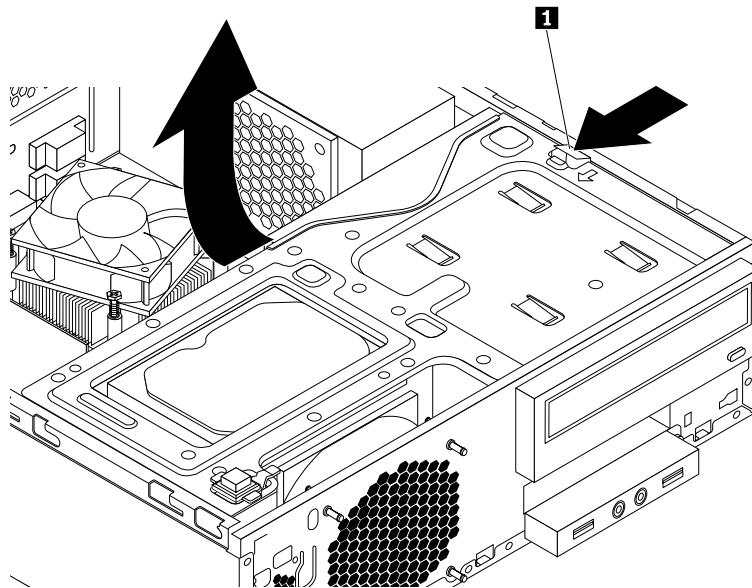


Figure 180. Pivoting the drive bay assembly upward

6. Disconnect the internal speaker cable from the system board.

7. Push the metal tab **1** on the top of the internal speaker outward and slide the internal speaker upward to completely remove it from the chassis.

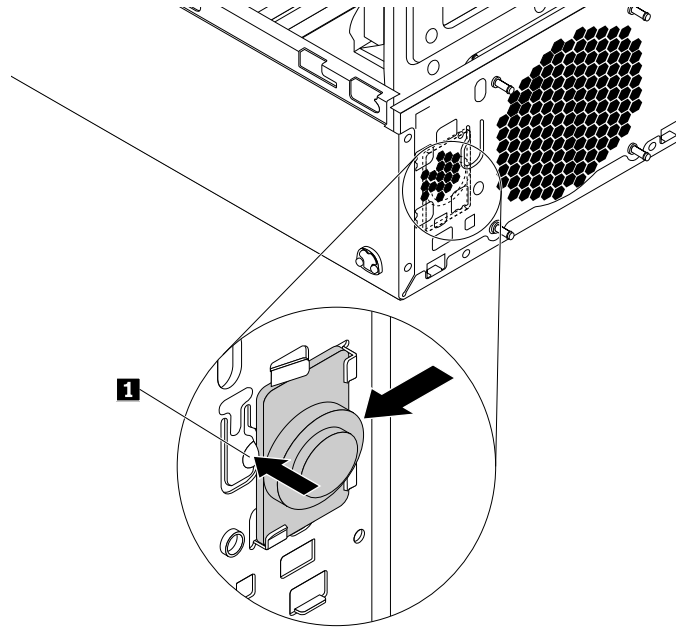


Figure 181. Removing the internal speaker

8. Position the new internal speaker into the four metal clips **1** and push the internal speaker downward until it is secured in place.

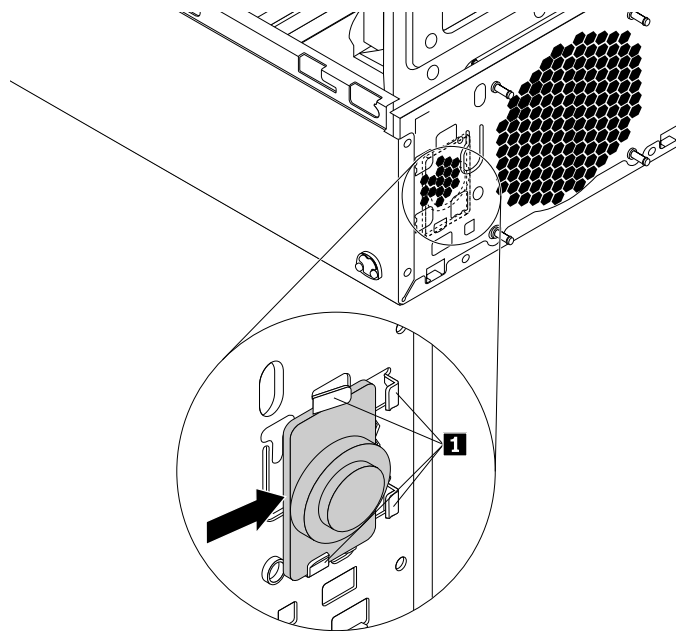


Figure 182. Installing a new internal speaker

9. Connect the internal speaker cable to the system board. See “Locating parts on the system board” on page 79.

What to do next:

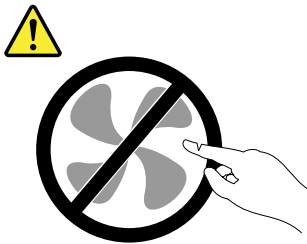
- To work with another piece of hardware, go to the appropriate section.
- To complete the installation or replacement, go to “Completing the parts replacement” on page 223.

Replacing the power supply assembly

Important: Before you replace any FRU, be sure to read and understand Chapter 1 “Safety information” on page 1.

This section provides instructions on how to replace the power supply assembly.

Although there are no moving parts in your computer after the power cord has been disconnected, the following warnings are required for your safety and proper Underwriters Laboratories (UL) certification.

CAUTION:

Hazardous moving parts. Keep fingers and other body parts away.

CAUTION:

Never remove the cover on a power supply or any part that has the following label attached.

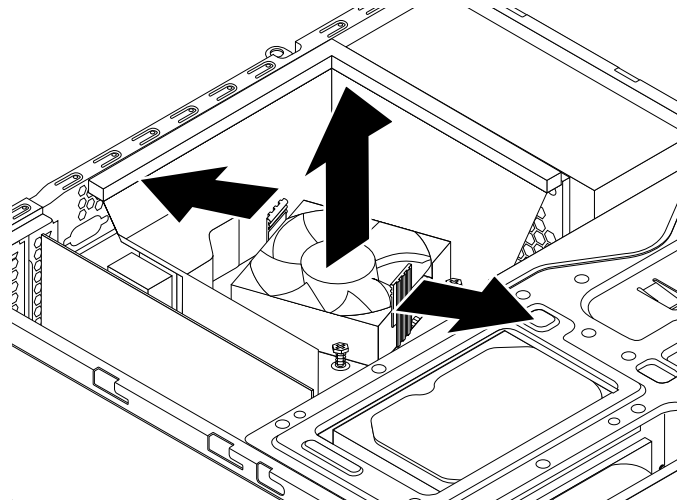


Hazardous voltage, current, and energy levels are present inside any component that has this label attached. There are no serviceable parts inside these components. If you suspect a problem with one of these parts, contact a service technician.

To replace the power supply assembly, do the following:

1. Turn off the computer and disconnect all power cords from electrical outlets.
2. Remove the computer cover. See “Removing the computer cover” on page 144.
3. Remove the front bezel. See “Removing and reinstalling the front bezel” on page 145.
4. Gently pivot the two plastic retaining clips that secure the heat sink fan duct outward, and then lift the heat sink fan duct out of the chassis.

Figure 183. Removing the heat sink fan duct



5. Press the release tab **1** as shown and pivot the drive bay assembly upward.

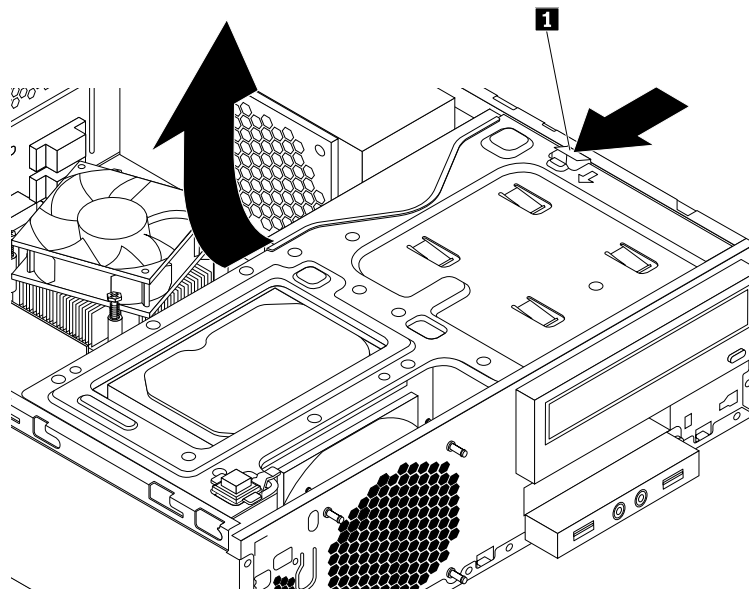


Figure 184. Pivoting the drive bay assembly upward

6. Record the cable routing and cable connections. Then, disconnect the power supply assembly cables from all drives and from power connectors **1**, **2**, and **3** on the system board.

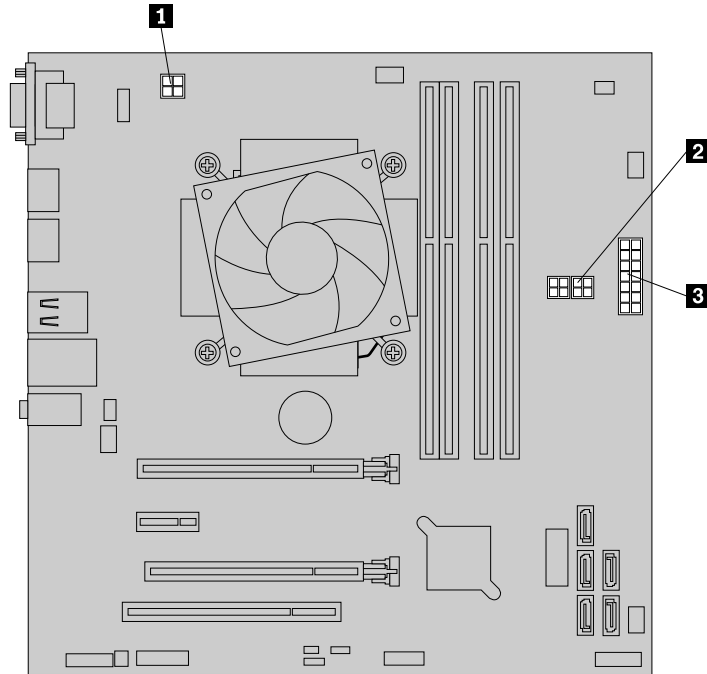


Figure 185. Power connectors on the system board

7. Release the power supply assembly cables from any cable clips or ties that secure the cables to the chassis.
8. At the rear of the computer, remove the three screws that secure the power supply assembly. Press the power supply clip **1** downward to release the power supply assembly and then slide the power supply assembly to the front of the computer. Lift the power supply assembly out of the computer.

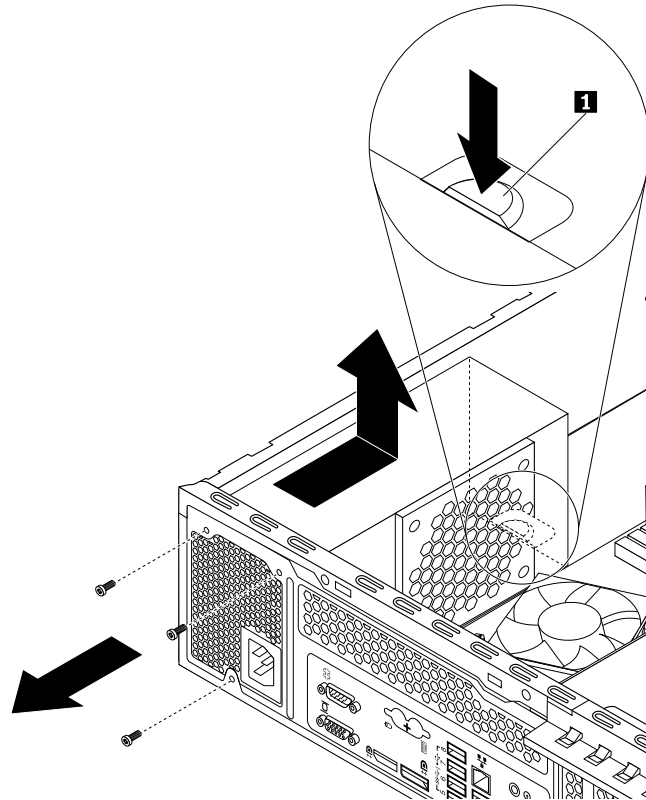


Figure 186. Removing the power supply assembly

9. Ensure that the new power supply assembly is the correct replacement.
10. Install the new power supply assembly into the chassis so that the screw holes in the new power supply assembly are aligned with the corresponding holes in the rear of the chassis. Then, install the three screws to secure the new power supply assembly in place.

Note: Use only screws provided by Lenovo.

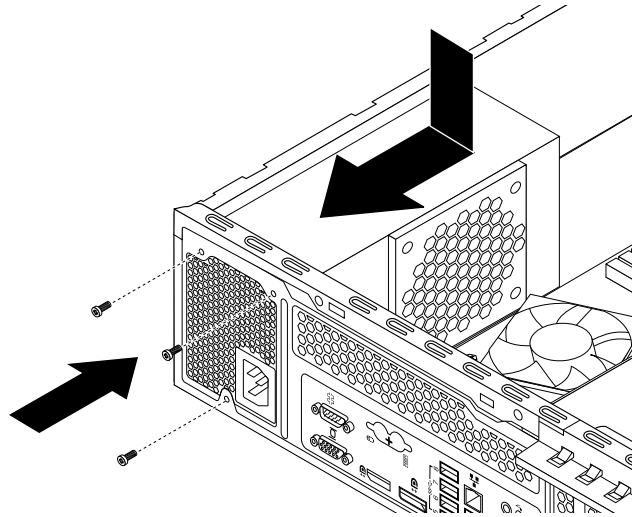


Figure 187. Installing the power supply assembly

11. Connect the new power supply assembly cables to all drives and the system board. See “Locating parts on the system board” on page 79.
12. Press the release tab **1** as shown and pivot the drive bay assembly downward.

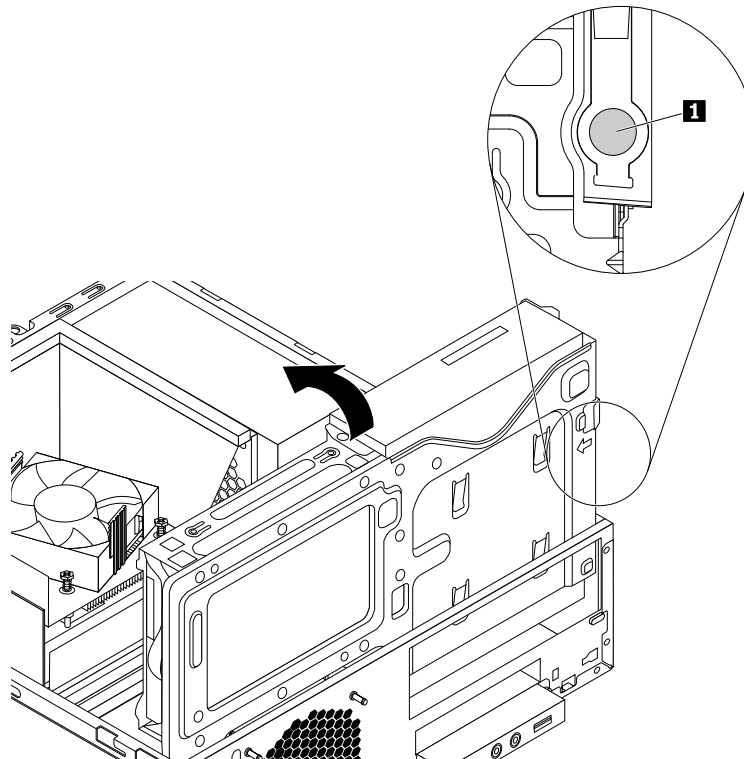
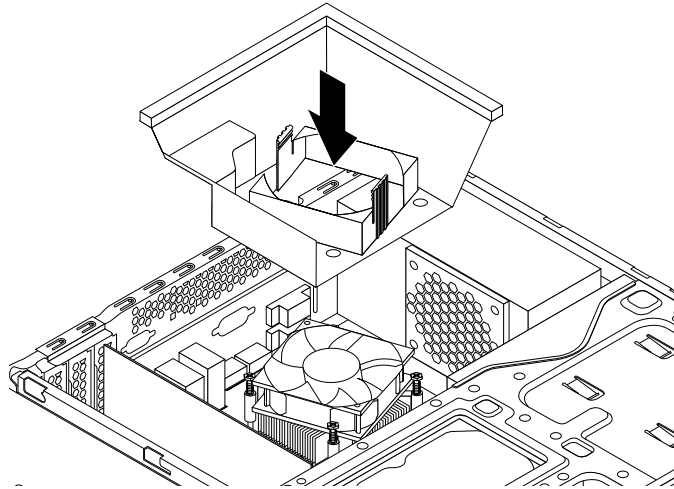


Figure 188. Pivoting the drive bay assembly downward

13. Position the heat sink fan duct on the top of the heat sink as shown. Then, press the heat sink fan duct straight down until it snaps into position.

Figure 189. Installing the heat sink fan duct



What to do next:

- To work with another piece of hardware, go to the appropriate section.
- To complete the installation or replacement, go to “Completing the parts replacement” on page 223.

Replacing the power button

Important: Before you replace any FRU, be sure to read and understand Chapter 1 “Safety information” on page 1.

This section provides instructions on how to replace the power button.

To replace the power button, do the following:

1. Turn off the computer and disconnect all power cords from electrical outlets.
2. Remove the computer cover. See “Removing the computer cover” on page 144.
3. Remove the front bezel. See “Removing and reinstalling the front bezel” on page 145.
4. Locate the power button. See “Locating connectors, controls, and indicators on the front of your computer” on page 74.

5. Press the release tab **1** as shown and pivot the drive bay assembly upward.

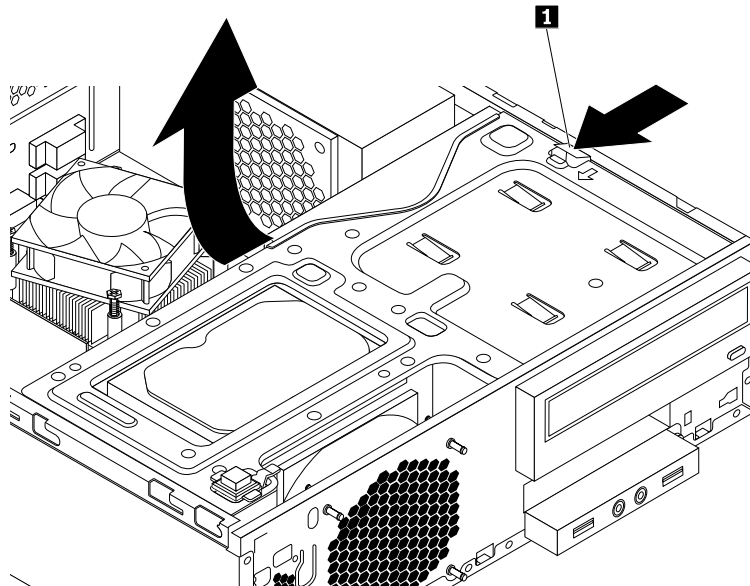


Figure 190. Pivoting the drive bay assembly upward

6. Disconnect the power button cable from the power button connector on the system board. See “Locating parts on the system board” on page 79.
7. Push the power button inward through the hole to disengage it from the chassis.

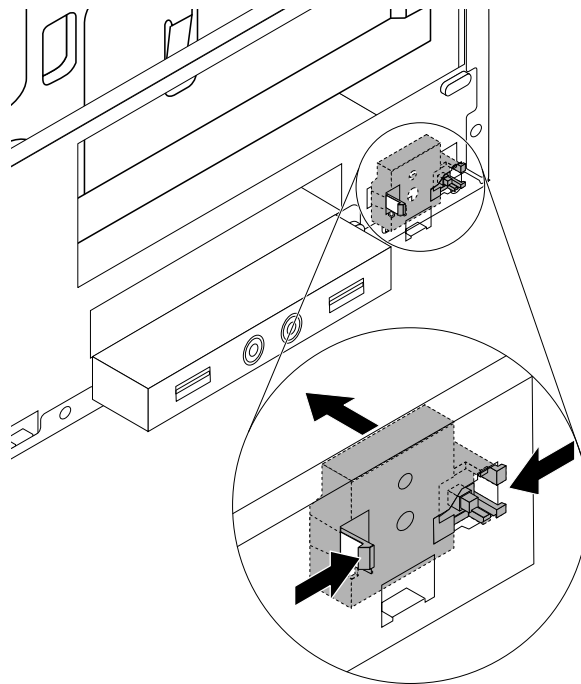


Figure 191. Removing the power button

8. Insert the two plastic tabs in the new power button through the hole on the chassis, and then press the power button as shown until it snaps into position.

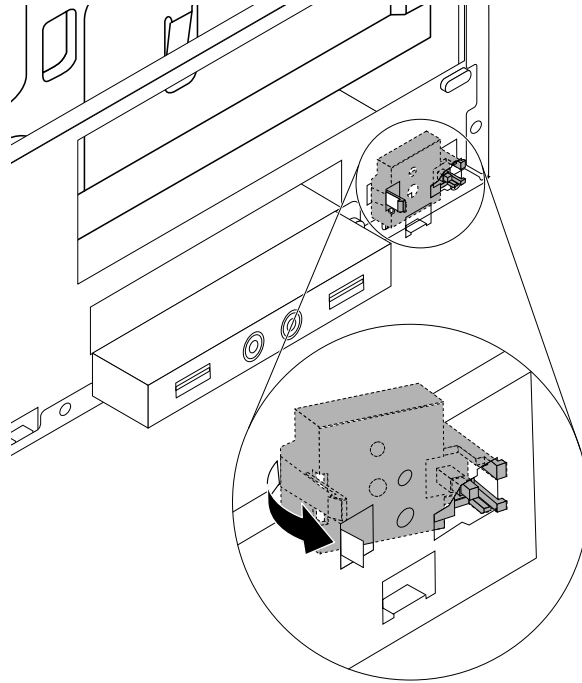


Figure 192. Installing the new power button

9. Reconnect the power button cable to the system board. See “Locating parts on the system board” on page 79.
10. Reinstall the front bezel. See “Removing and reinstalling the front bezel” on page 145.

What to do next:

- To work with another piece of hardware, go to the appropriate section.
- To complete the installation or replacement, go to “Completing the parts replacement” on page 223.

Replacing the cover presence switch

Important: Before you replace any FRU, be sure to read and understand Chapter 1 “Safety information” on page 1.

This section provides instructions on how to replace the cover presence switch, also known as intrusion switch.

To replace the cover presence switch, do the following:

1. Turn off the computer and disconnect all power cords from electrical outlets.
2. Remove the computer cover. See “Removing the computer cover” on page 144.
3. Remove the front bezel. See “Removing and reinstalling the front bezel” on page 145.
4. Locate the cover presence switch. See “Locating major FRUs and CRUs” on page 76.
5. Disconnect the cover presence switch cable from the system board.

6. Press the clip **1** as shown and lift the cover presence switch up to remove it from the chassis.

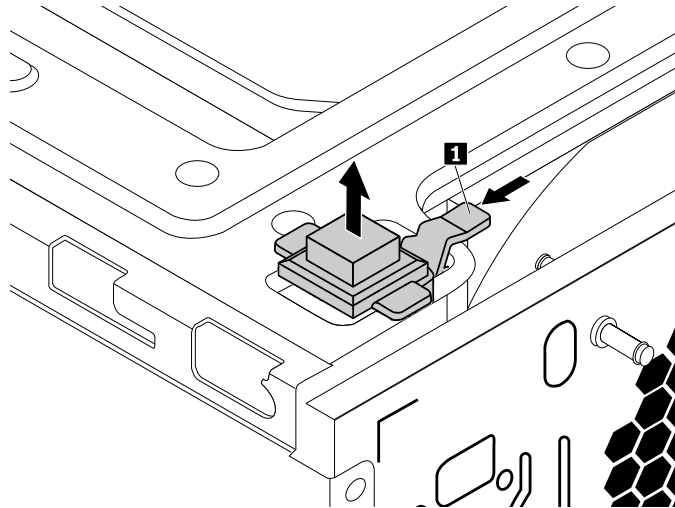


Figure 193. Removing the cover presence switch

7. Put the new cover presence switch into the hole and press it down until it snaps into position.

Note: Note the orientation of the cover presence switch.

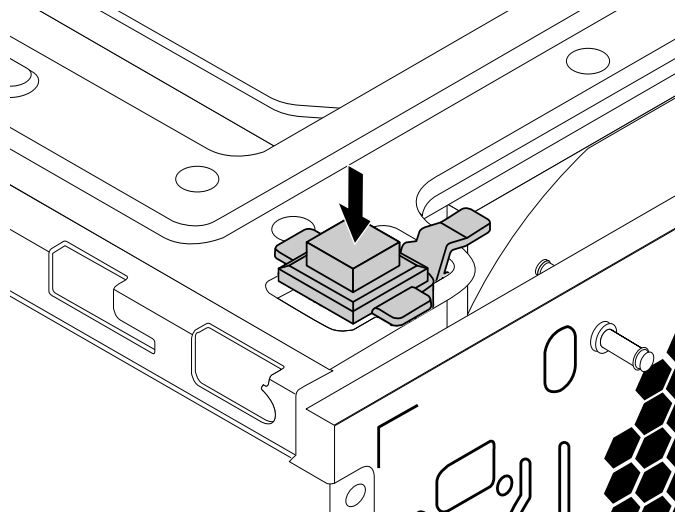


Figure 194. Installing the cover presence switch

8. Reconnect the cover presence switch cable to the cover presence switch connector on the system board. See “Locating parts on the system board” on page 79.
9. Reinstall the front bezel. See “Removing and reinstalling the front bezel” on page 145.

What to do next:

- To work with another piece of hardware, go to the appropriate section.
- To complete the installation or replacement, go to “Completing the parts replacement” on page 223.

Replacing the microprocessor

CAUTION:



The heat sink assembly might be very hot. Before you open the computer cover, turn off the computer and wait several minutes until the computer is cool.

Important: Before you replace any FRU, be sure to read and understand Chapter 1 “Safety information” on page 1.

This section provides instructions on how to replace the microprocessor.

To replace the microprocessor, do the following:

1. Remove all media from the drives and turn off all attached devices and the computer. Then, disconnect all power cords from electrical outlets and disconnect all cables that are connected to the computer.
2. Place a soft, clean towel or cloth on the desk or other flat surface. Hold the sides of your computer and gently lay it down so that the screen is against the surface and the cover is facing up.
3. Remove the computer cover. See “Removing the computer cover” on page 144.
4. Remove the heat sink assembly. See “Replacing the heat sink and fan assembly” on page 185.
5. Press the small handle **1** to open the retainer **2** to access the microprocessor **3**.

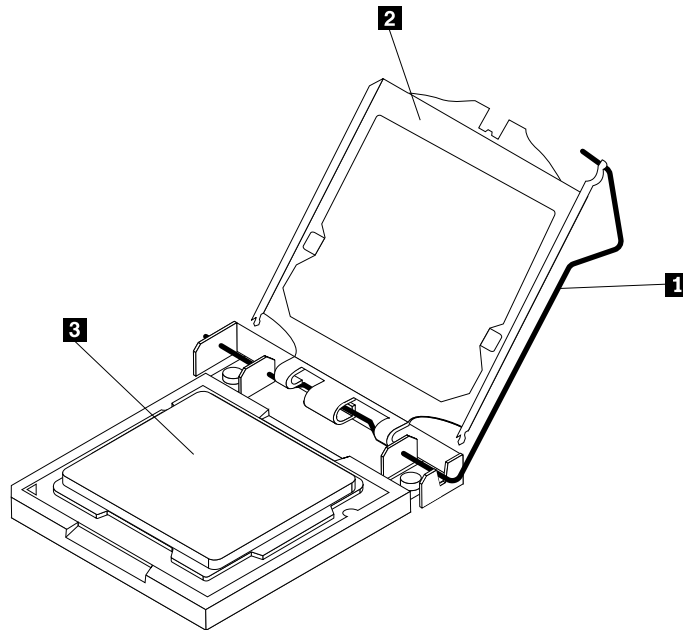


Figure 195. Opening the retainer to access the microprocessor

- Lift the microprocessor straight up and out of the socket.

Notes:

- Your microprocessor and socket might look different from the one illustrated.
- Note the orientation of the microprocessor in the socket. You can either look for the small triangle **1** on one corner of the microprocessor or note the orientation of the notches **2** on the microprocessor. This is important when installing a new microprocessor on the system board.

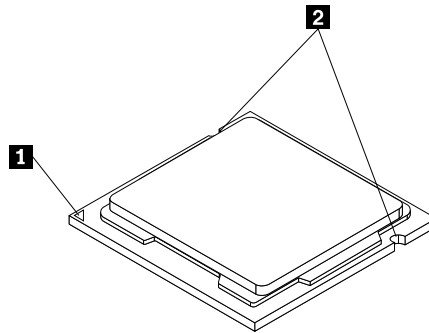


Figure 196. Noting the orientation of the microprocessor in the socket

- Touch only the sides of the microprocessor. Do not touch the gold contacts on the bottom.
- Do not drop anything onto the microprocessor socket while it is exposed. The socket pins must be kept as clean as possible.

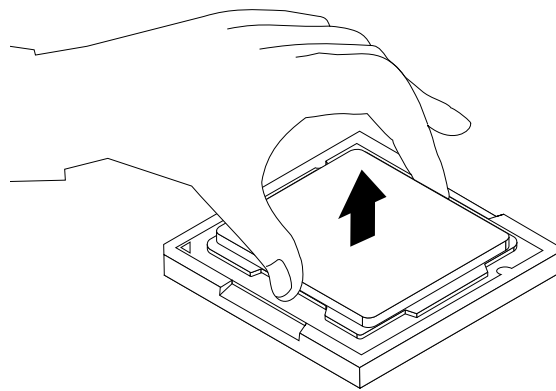


Figure 197. Removing the microprocessor

- Make sure that the small handle is in the raised position and the microprocessor retainer is fully open.

8. Hold the new microprocessor and align the notches **2** on it with the alignment keys in the microprocessor socket, or align the small triangle **1** on one corner of the new microprocessor with the corresponding beveled corner of the microprocessor socket.

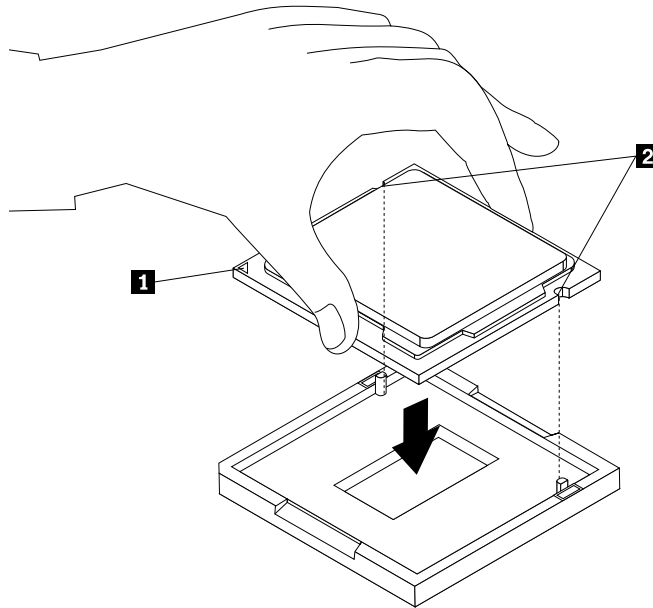


Figure 198. Installing the microprocessor

9. Lower the new microprocessor straight down into the microprocessor socket on the system board.
10. Close the microprocessor retainer and lock it into position with the small handle to secure the new microprocessor in the socket.
11. Install the heat sink assembly. See “Replacing the heat sink and fan assembly” on page 185.

What to do next:

- To work with another piece of hardware, go to the appropriate section.
- To complete the installation or replacement, go to “Completing the parts replacement” on page 223.

Replacing the primary hard disk drive

Important: Before you replace any FRU, be sure to read and understand Chapter 1 “Safety information” on page 1.

This section provides instructions on how to replace the primary hard disk drive.

To replace the primary hard disk drive, do the following:

1. Turn off the computer and disconnect all power cords from electrical outlets.
2. Remove the computer cover. See “Removing the computer cover” on page 144.
3. Remove the front bezel. See “Removing and reinstalling the front bezel” on page 145.

4. Press the release tab **1** as shown and pivot the drive bay assembly upward.

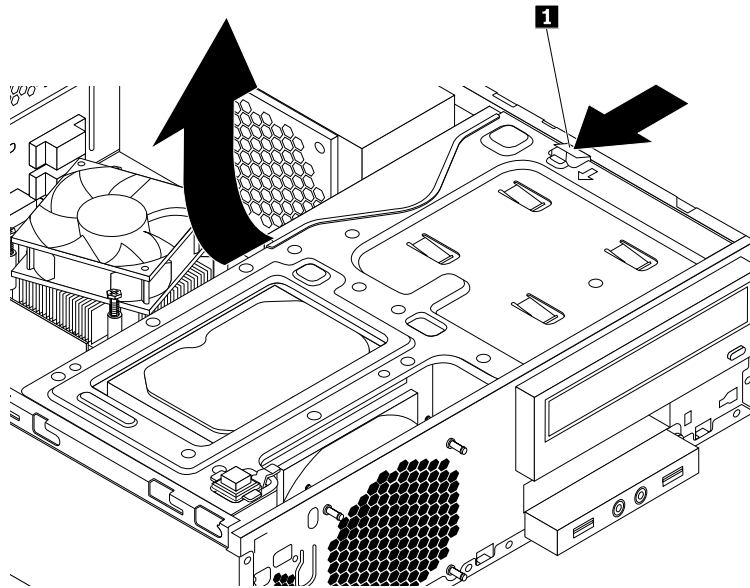


Figure 199. Pivoting the drive bay assembly upward

5. Locate the primary hard disk drive.
6. Disconnect the signal cable and the power cable from the hard disk drive.
7. Pull the blue handle to slide the hard disk drive out of the drive cage.

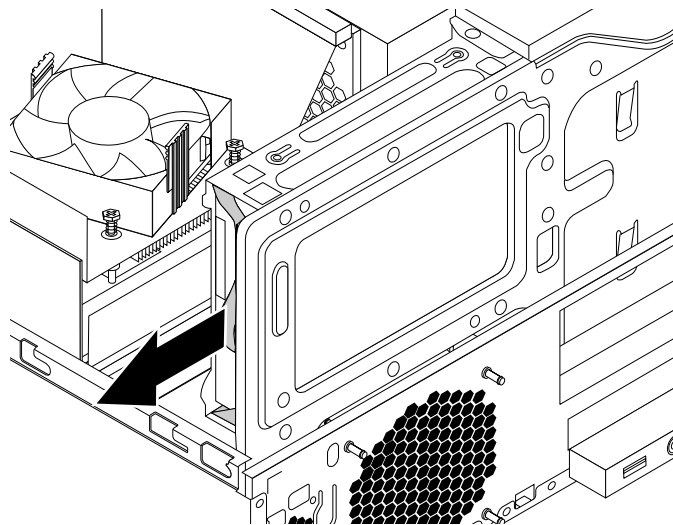


Figure 200. Removing the primary hard disk drive

8. Flex the sides of the blue bracket to remove the hard disk drive from the bracket.

- To install a new hard disk drive into the blue bracket, flex the bracket and align pin **1**, pin **2**, pin **3**, and pin **4** on the bracket with the corresponding holes in the hard disk drive. Do not touch the circuit board **5** on the bottom of the hard disk drive.

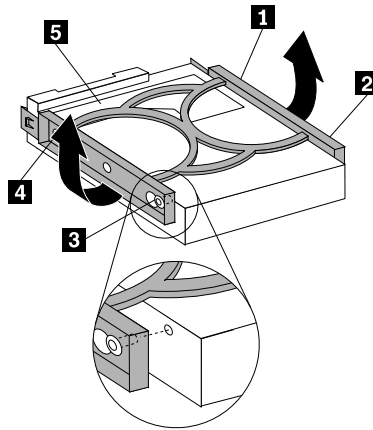


Figure 201. Installing the hard disk drive into the bracket

- Slide the new hard disk drive into the drive cage until it snaps into position.

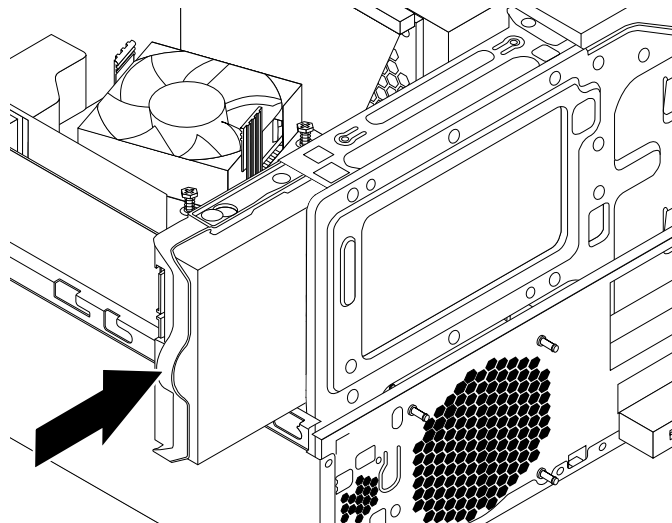


Figure 202. Installing the primary hard disk drive

- Connect the signal cable and the power cable to the new hard disk drive.

What to do next:

- To work with another piece of hardware, go to the appropriate section.
- To complete the installation or replacement, go to “Completing the parts replacement” on page 223.

Replacing the secondary hard disk drive

Important: Before you replace any FRU, be sure to read and understand Chapter 1 “Safety information” on page 1.

This section provides instructions on how to replace the secondary hard disk drive.

Note: The secondary hard disk drive is available only in some models.

To replace the secondary hard disk drive, do the following:

1. Turn off the computer and disconnect all power cords from electrical outlets.
2. Remove the computer cover. See “Removing the computer cover” on page 144.
3. Remove the front bezel. See “Removing and reinstalling the front bezel” on page 145.
4. Press the release tab **1** as shown and pivot the drive bay assembly upward.

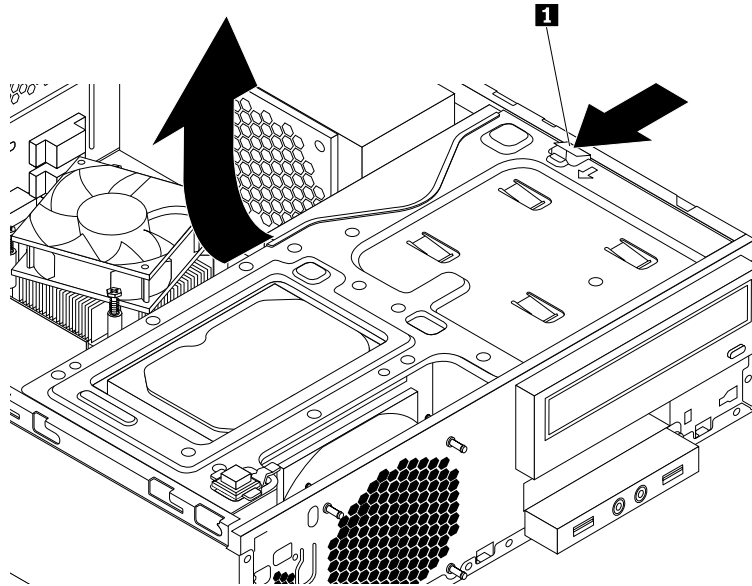
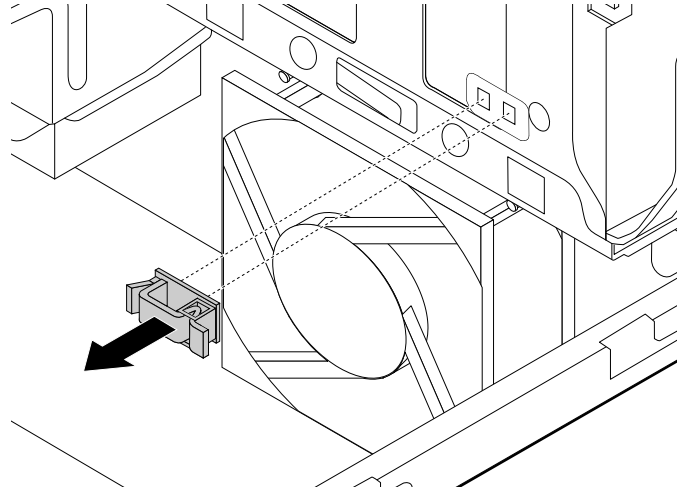


Figure 203. Pivoting the drive bay assembly upward

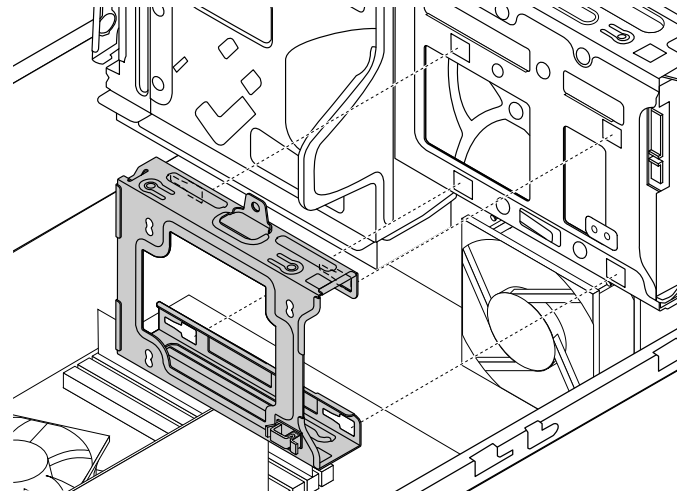
5. Locate the secondary hard disk drive.
6. Disconnect the signal cable and the power cable from the hard disk drive.
7. Remove the cable clip on the bottom of the primary hard disk drive bay as shown.

Figure 204. Removing the cable clip



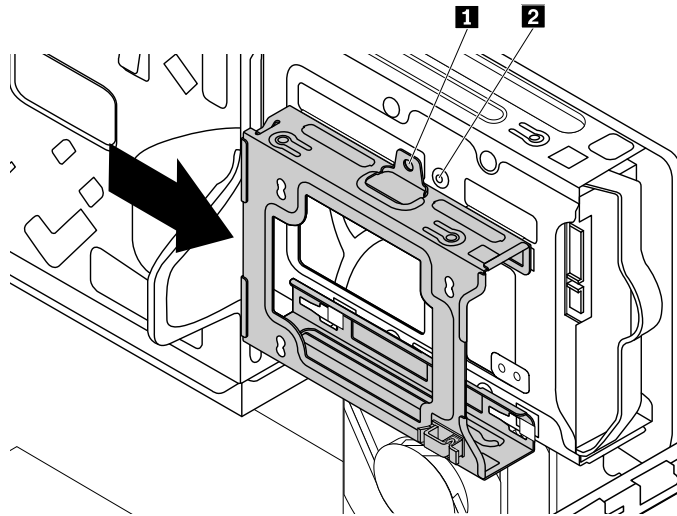
8. Align the four holes in the secondary hard disk drive bracket with the corresponding four tabs on the bottom of the primary hard disk drive bay as shown. Then, position the bracket onto the bottom of the primary hard disk drive bay so that the tabs on the bay pass through the holes in the bracket.

Figure 205. Positioning the bracket onto the bottom of the primary hard disk drive bay



9. Slide the secondary hard disk drive bracket to the left of the chassis until it snaps into position and the screw hole **1** in the bracket is aligned with the screw hole in the bay **2**.

Figure 206. Installing the secondary hard disk drive bracket



10. Install the screw to secure the secondary hard disk drive bracket to the chassis.

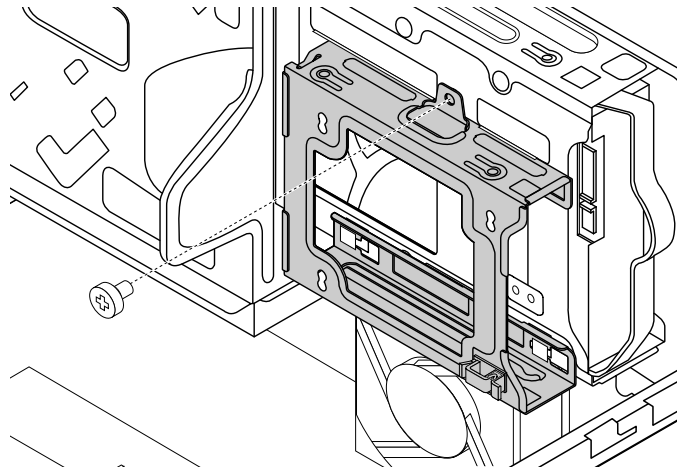


Figure 207. Installing the screw to secure the secondary hard disk drive bracket

11. To install a new hard disk drive into the blue bracket, flex the bracket and align pin **1**, pin **2**, pin **3**, and pin **4** on the bracket with the corresponding holes in the hard disk drive. Do not touch the circuit board **5** on the bottom of the hard disk drive.

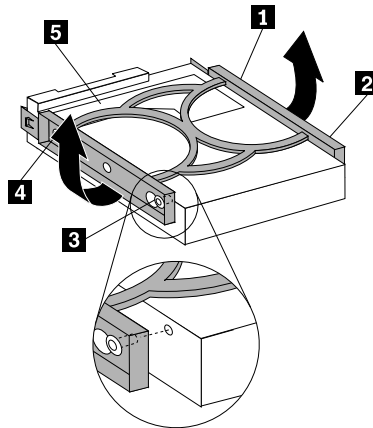


Figure 208. Installing the hard disk drive into the bracket

12. Slide the new secondary hard disk drive into the hard disk drive cage until it snaps into position.

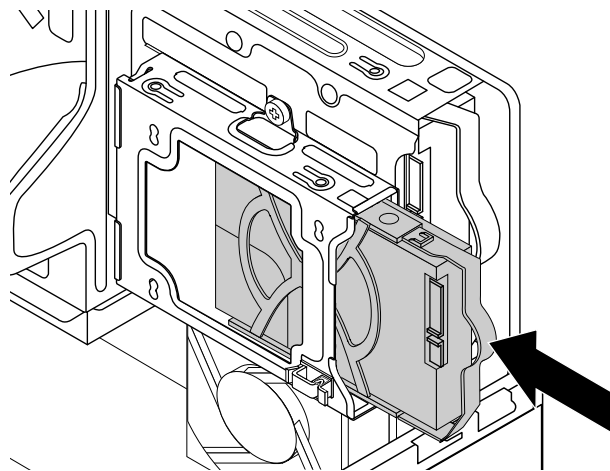


Figure 209. Installing the secondary hard disk drive

13. Connect the signal cable and the power cable to the new secondary hard disk drive.

What to do next:

- To work with another piece of hardware, go to the appropriate section.
- To complete the installation or replacement, go to “Completing the parts replacement” on page 223.

Replacing the system board

Important: Before you replace any FRU, be sure to read and understand Chapter 1 “Safety information” on page 1.

This section provides instructions on how to replace the system board.

CAUTION:



The heat sink and microprocessor might be very hot. Before you open the computer cover, turn off the computer and wait several minutes until the computer is cool.

To replace the system board, do the following:

1. Remove all media from the drives and turn off all attached devices and the computer. Then, disconnect all power cords from electrical outlets and disconnect all cables that are connected to the computer.
2. Lay the computer on its side for easier access to the system board.
3. Remove the computer cover. See “Removing the computer cover” on page 144.
4. Remove the front bezel. See “Removing and reinstalling the front bezel” on page 145.
5. Press the release tab **1** as shown and pivot the drive bay assembly upward.

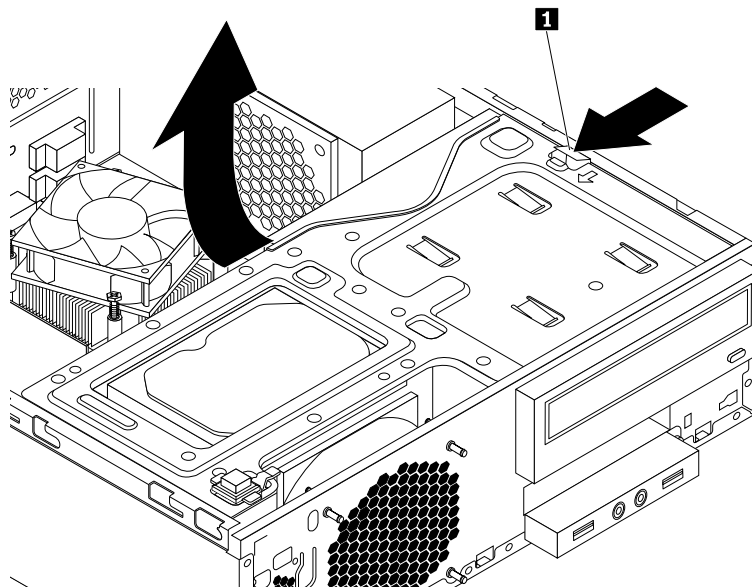


Figure 210. Pivoting the drive bay assembly upward

6. Remove all memory modules and PCI cards that are currently installed. See “Installing or replacing a memory module” on page 146 and “Installing or replacing a PCI card” on page 148.
7. Remove the heat sink and fan assembly from the failing system board. See “Replacing the heat sink and fan assembly” on page 185.
8. Record the cable routing and cable connections and then disconnect all cables from the system board. See “Locating parts on the system board” on page 79.

9. Remove the eight screws that secure the system board by following the sequence shown in the following illustration.

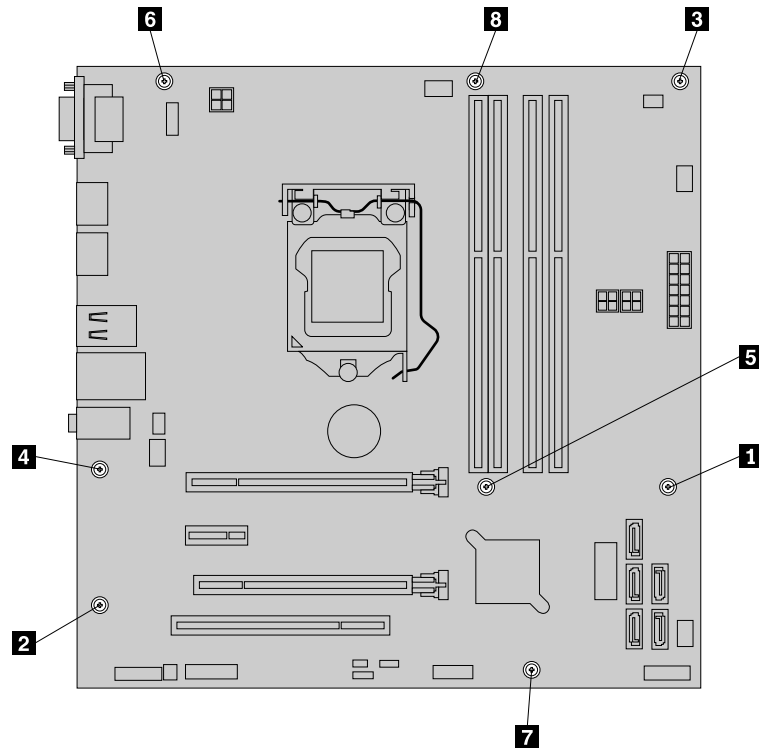


Figure 211. Removing the eight screws that secure the system board

10. Slide the system board to the front of the computer and then carefully lift the system board out of the chassis.
11. Remove the microprocessor from the failing system board and install it on the new system board. See “Replacing the microprocessor” on page 199.

12. Install the new system board into the chassis by aligning the eight screw holes in the new system board with the corresponding mounting studs on the chassis. Then, install the eight screws to secure the system board by following the sequence shown in the following illustration.

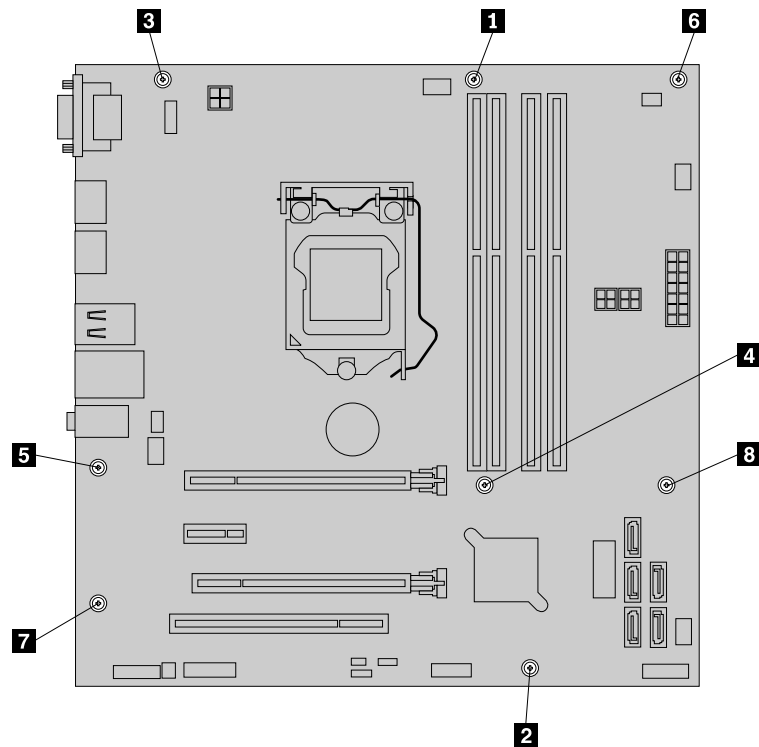


Figure 212. Installing the eight screws to secure the system board

13. Install the heat sink and fan assembly and connect the heat-sink-and-fan-assembly cable to the new system board. See “Replacing the heat sink and fan assembly” on page 185.
14. Install all memory modules and PCI cards removed from the failing system board onto the new system board. See “Installing or replacing a memory module” on page 146 and “Installing or replacing a PCI card” on page 148.
15. Refer to your record to connect cables to the new system board. You also can refer to “Locating parts on the system board” on page 79 to help you locate the connectors on the system board and connect cables.
16. To complete the installation or replacement, go to “Completing the parts replacement” on page 223.

The failing system board must be returned with a microprocessor socket cover to protect the pins during shipping and handling.

To install the microprocessor socket cover, do the following:

1. After you have removed the microprocessor from the failing system board, close the microprocessor retainer and then put the lever to the locked position to secure the retainer in place.

2. Note the orientation of the socket cover, and install one side of the socket cover into the microprocessor socket. Carefully press the other side of the socket cover downward until the socket cover snaps into position.

Note: Your microprocessor socket and cover might look slightly different from the illustration.

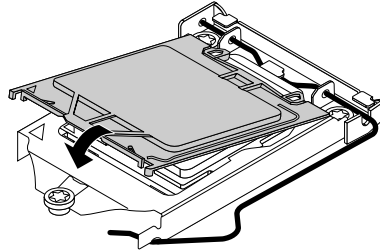


Figure 213. Installing the microprocessor socket cover

3. Carefully check the four corners of the socket cover to ensure that the cover is seated securely.
4. Follow any additional instructions that are included with the replacement part you received.

Replacing the thermal sensor

Important: Before you replace any FRU, be sure to read and understand Chapter 1 “Safety information” on page 1.

This section provides instructions on how to replace the thermal sensor.

To replace the thermal sensor, do the following:

1. Turn off the computer and disconnect all power cords from electrical outlets.
2. Remove the computer cover. See “Removing the computer cover” on page 144.
3. Remove the front bezel. See “Removing and reinstalling the front bezel” on page 145.
4. Locate the thermal sensor. See “Locating major FRUs and CRUs” on page 76.
5. Disconnect the thermal sensor cable from the thermal sensor connector on the system board. See “Locating parts on the system board” on page 79.
6. Remove the cover presence switch (intrusion switch). See “Replacing the cover presence switch” on page 197.
7. Remove the internal speaker. See “Replacing the internal speaker” on page 188.

- From inside the chassis, pivot the left retaining clip **1** that secures the plastic holder of the thermal sensor and then push the clip outward to release the clip. Then disengage the plastic holder holding the thermal sensor from the chassis.

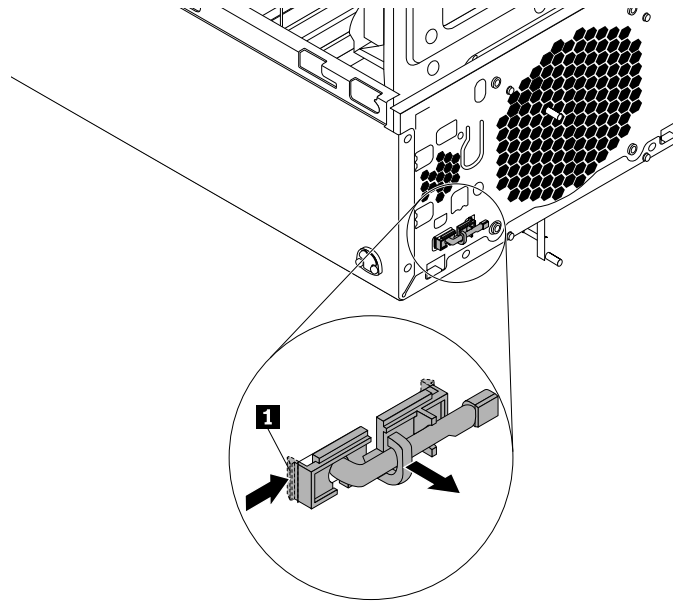


Figure 214. Removing the thermal sensor

- Pull the entire thermal sensor out of the chassis.
- Insert the connector and cable of the new thermal sensor into the left hole **1** in the chassis. Then align the two tabs on the plastic holder holding the thermal sensor with the two holes **1** and **2** in the chassis, and press the plastic holder until it snaps into position.

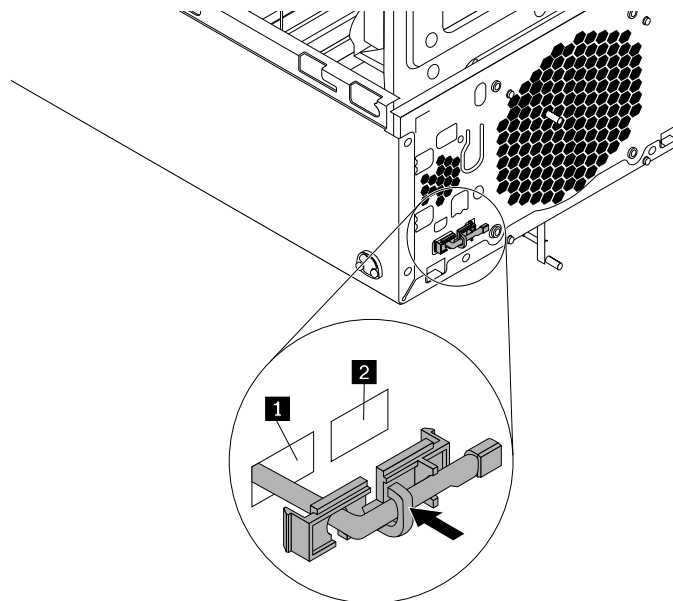


Figure 215. Installing the new thermal sensor

11. Reconnect the thermal sensor cable to the system board. See “Locating parts on the system board” on page 79.
12. Reinstall the front bezel. See “Removing and reinstalling the front bezel” on page 145.

What to do next:

- To work with another piece of hardware, go to the appropriate section.
- To complete the installation or replacement, go to “Completing the parts replacement” on page 223.

Replacing the Wi-Fi units

Important: Before you replace any FRU, be sure to read and understand Chapter 1 “Safety information” on page 1.

This section provides instructions on how to replace the Wi-Fi units. The Wi-Fi units include a Wi-Fi adapter card, a Wi-Fi card module, and a rear Wi-Fi antenna cable.

Replacing the Wi-Fi units involves the following operations:

- “Removing the Wi-Fi adapter card” on page 213
- “Removing the Wi-Fi card module” on page 214
- “Installing the Wi-Fi units” on page 215

Removing the Wi-Fi adapter card

To remove a Wi-Fi adapter card, do the following:

1. Turn off the computer and disconnect all power cords from electrical outlets.
2. Remove the computer cover. See “Removing the computer cover” on page 144.
3. If your computer comes with a Wi-Fi card module that supports the Bluetooth function, disconnect the Bluetooth cable from the Wi-Fi adapter card.

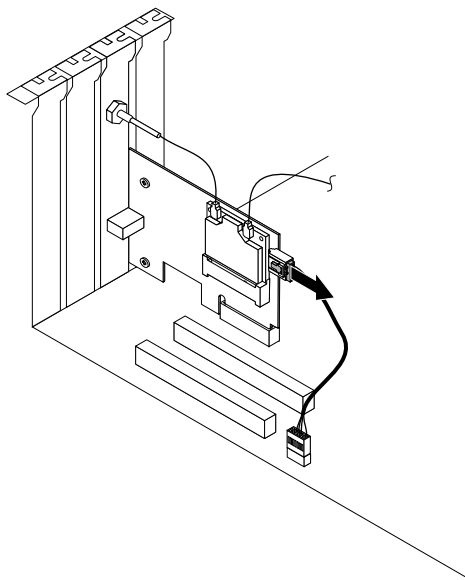


Figure 216. Disconnecting the Bluetooth cable

Note: The Bluetooth cable connects the Bluetooth connector on the Wi-Fi adapter card to the front USB connector on the system board to support the Bluetooth function.

4. Rotate the PCI card retainer to the open position.
5. Grasp the Wi-Fi adapter card that is currently installed and gently pull it out of the slot.

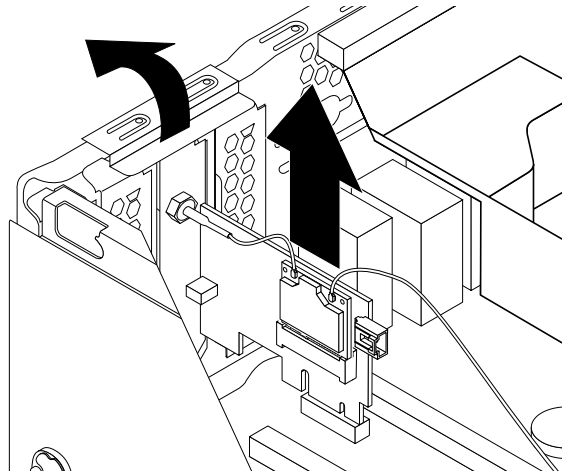


Figure 217. Removing the Wi-Fi adapter card

Note: The card fits tightly into the card slot. If necessary, alternate moving each side of the card a small amount until it is removed from the card slot.

Removing the Wi-Fi card module

To remove the Wi-Fi card module, do the following:

1. Remove the Wi-Fi adapter card from the computer, and then disconnect the front and rear Wi-Fi antenna cables from the Wi-Fi card module.

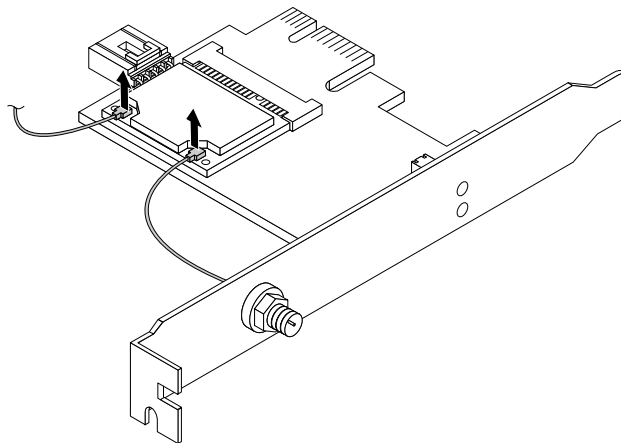


Figure 218. Removing the Wi-Fi antenna cables

2. Remove the two screws that secure the Wi-Fi card module to the Wi-Fi adapter card.

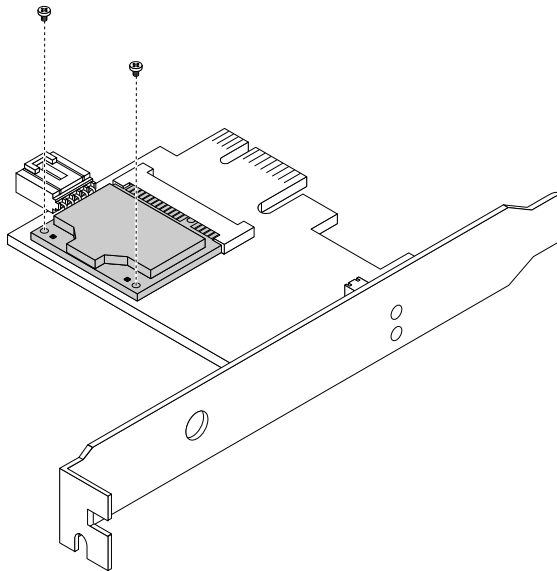


Figure 219. Removing the screws that secure the Wi-Fi card module

3. Pull the Wi-Fi card module out of the mini PCI Express slot to remove it from the Wi-Fi adapter card.

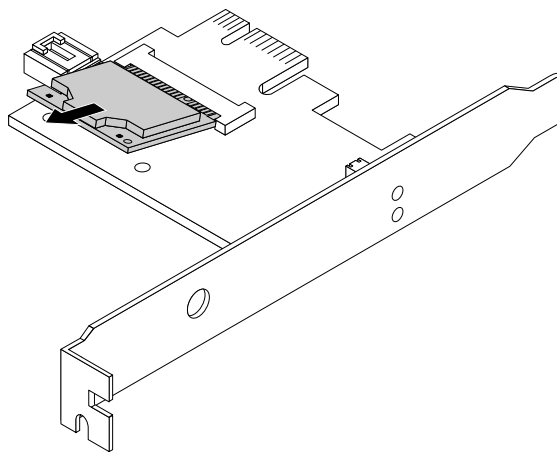


Figure 220. Removing the Wi-Fi card module

Installing the Wi-Fi units

To install the Wi-Fi units, do the following:

1. Insert the Wi-Fi card module into the mini PCI Express slot, and then install the two screws to secure the Wi-Fi card module to the Wi-Fi adapter card.

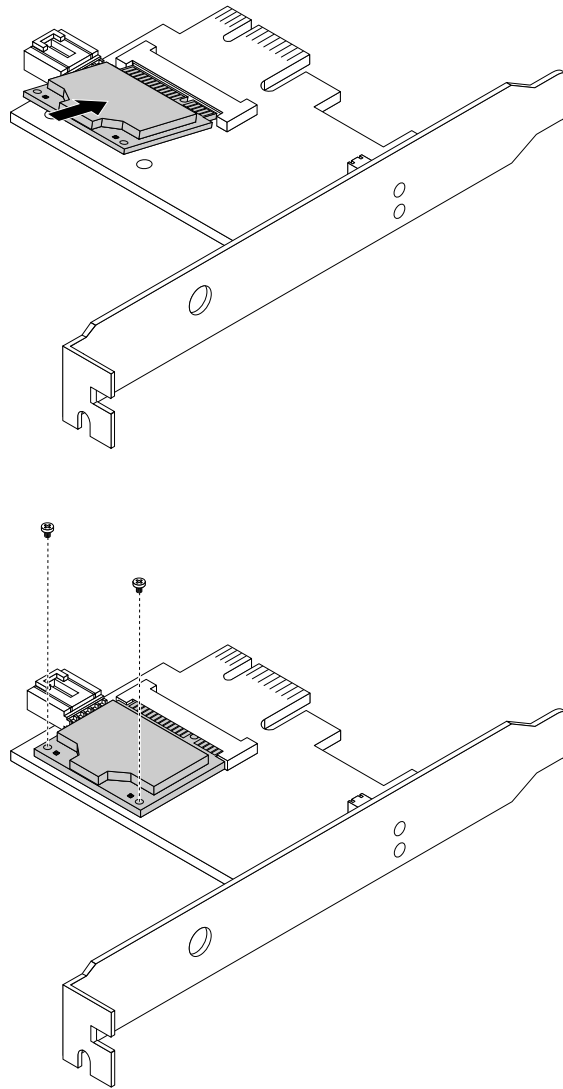


Figure 221. Installing the Wi-Fi card module

2. Connect the front antenna cable and rear antenna cable to the Wi-Fi card module.

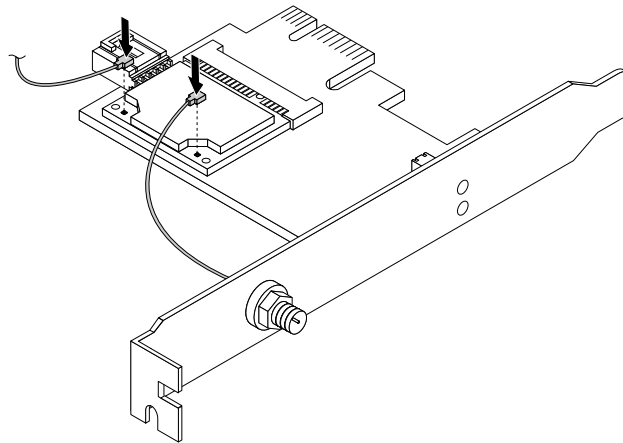


Figure 222. Installing the Wi-Fi antenna cables

3. Install the Wi-Fi adapter card into the PCI Express x1 slot on the system board. See “Locating parts on the system board” on page 79.
4. If the installed Wi-Fi card module supports the Bluetooth function, use a Bluetooth cable to connect the Bluetooth connector on the Wi-Fi adapter card to the front USB connector on the system board.
5. Pivot the card latch to the closed position to secure the Wi-Fi adapter card.

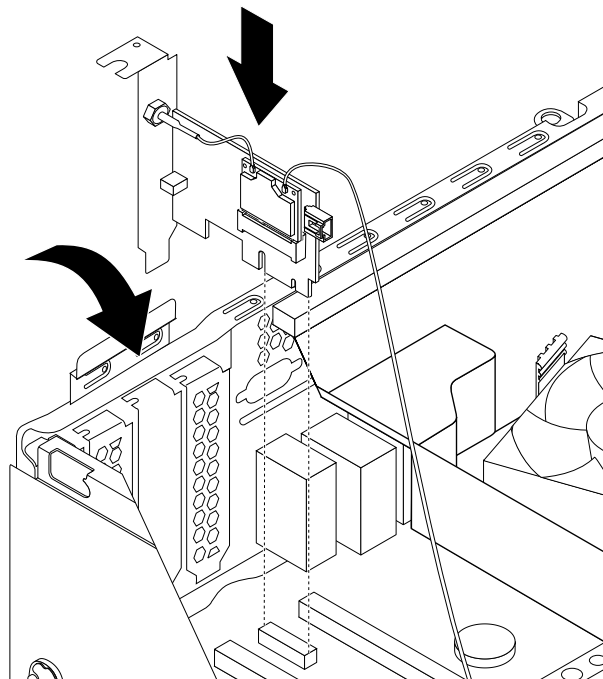


Figure 223. Installing the Wi-Fi adapter card

What to do next:

- To work with another piece of hardware, go to the appropriate section.
- To complete the installation or replacement, go to “Completing the parts replacement” on page 223.

Installing or removing the front Wi-Fi antenna

Important: Before you replace any FRU, be sure to read and understand Chapter 1 “Safety information” on page 1.

This section provides instructions on how to install or remove the front Wi-Fi antenna.

Installing the front Wi-Fi antenna

To install the front Wi-Fi antenna, do the following:

1. Turn off the computer and disconnect all power cords from electrical outlets.
2. Remove the computer cover. See “Removing the computer cover” on page 144.
3. Remove the front bezel. See “Removing and reinstalling the front bezel” on page 145.
4. Press the release tab **1** as shown and pivot the drive bay assembly upward.

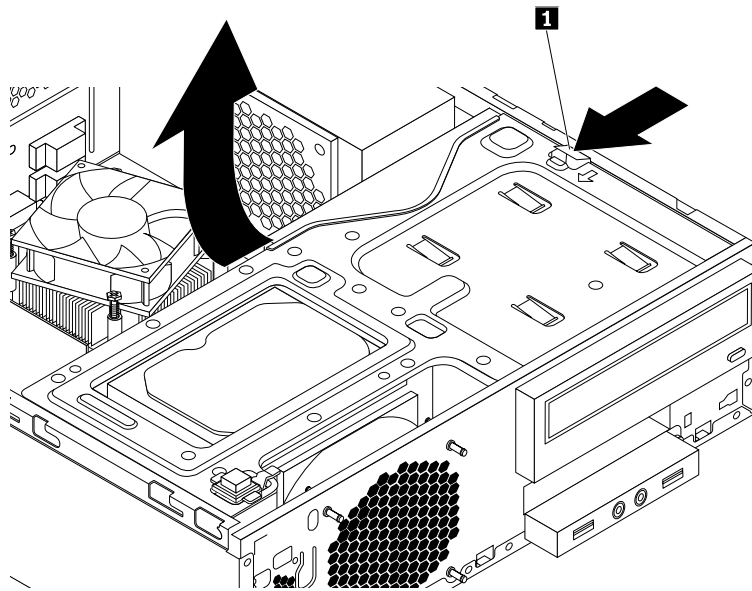


Figure 224. Pivoting the drive bay assembly upward

5. Peel off the paper that protects the sticker on the front antenna.

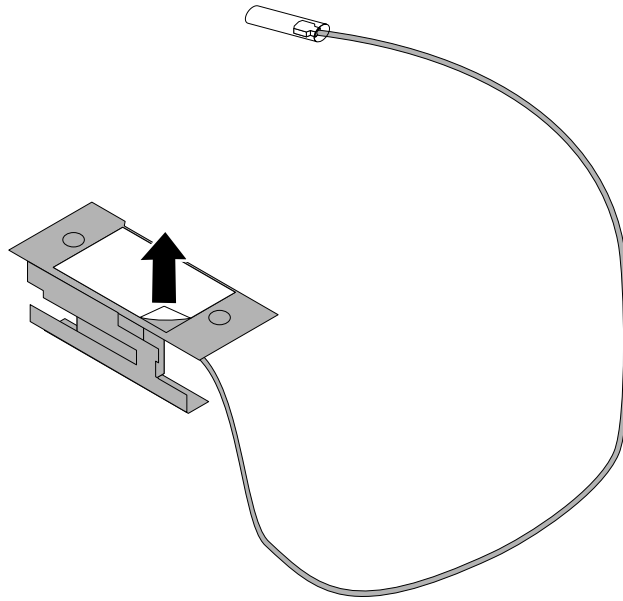


Figure 225. Peeling off the paper that protects the sticker

6. Stick the front antenna to the front panel as shown. Then insert the front antenna cable through the hole in the front panel.

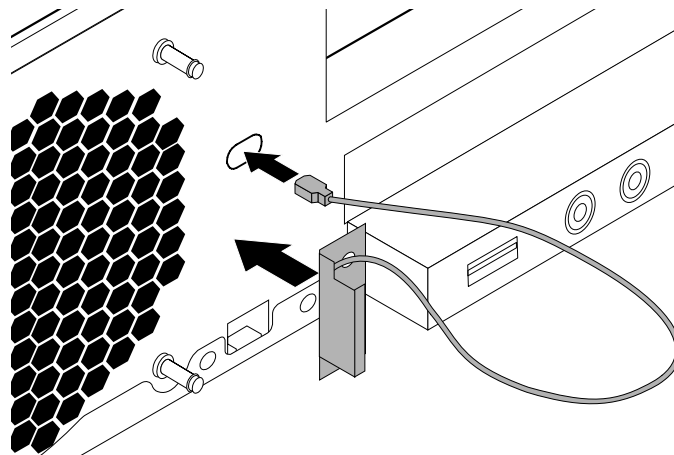


Figure 226. Installing the front Wi-Fi antenna

7. Connect the front antenna cable to the Wi-Fi card module.

What to do next:

- To work with another piece of hardware, go to the appropriate section.
- To complete the installation or replacement, go to “Completing the parts replacement” on page 223.

Removing the front Wi-Fi antenna

To remove the front Wi-Fi antenna, do the following:

1. Turn off the computer and disconnect all power cords from electrical outlets.
2. Remove the computer cover. See “Removing the computer cover” on page 144.

3. Remove the front bezel. See “Removing and reinstalling the front bezel” on page 145.
4. Press the release tab **1** as shown and pivot the drive bay assembly upward.

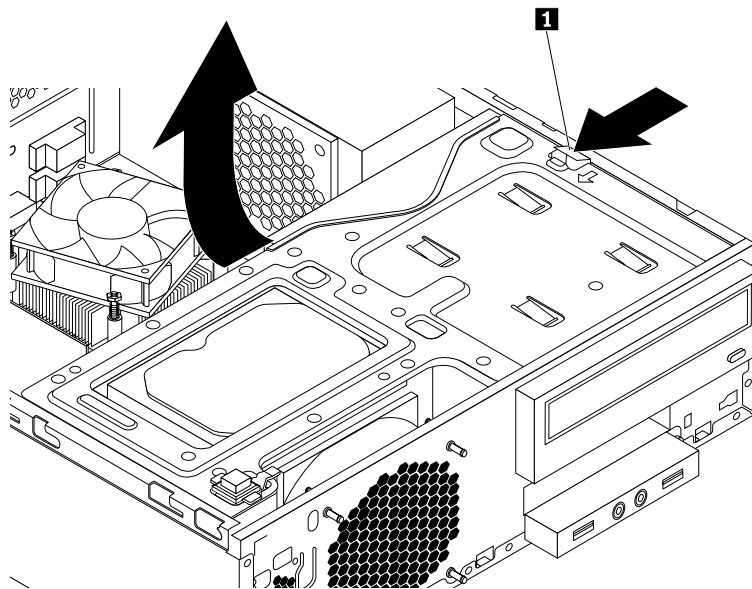


Figure 227. Pivoting the drive bay assembly upward

5. Disconnect the front antenna cable from the Wi-Fi card module.
6. Remove the front antenna and cable from the front of the computer.

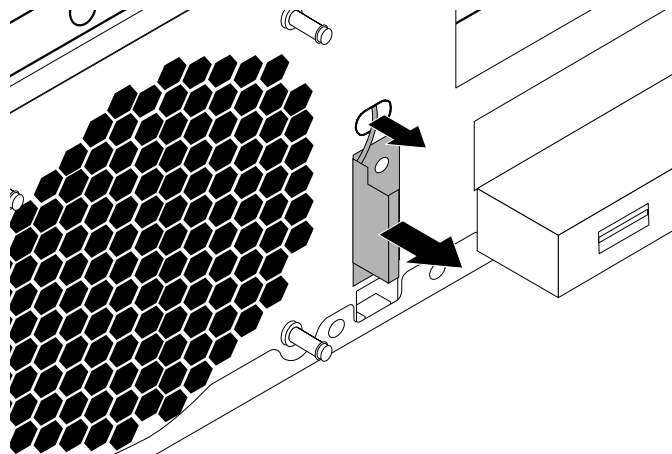


Figure 228. Removing the front Wi-Fi antenna

What to do next:

- To work with another piece of hardware, go to the appropriate section.
- To complete the installation or replacement, go to “Completing the parts replacement” on page 223.

Installing or removing the rear Wi-Fi antenna

Important: Before you replace any FRU, be sure to read and understand Chapter 1 “Safety information” on page 1.

This section provides instructions on how to install or remove the rear Wi-Fi antenna.

Installing the rear Wi-Fi antenna

To install the rear Wi-Fi antenna, do the following:

1. Turn off the computer and disconnect all power cords from electrical outlets.
2. Install the rear Wi-Fi antenna to the rear Wi-Fi antenna cable connector attached on the rear of the computer.
3. Adjust the angle of the rear antenna to lower the risk of breaking the antenna by accident.

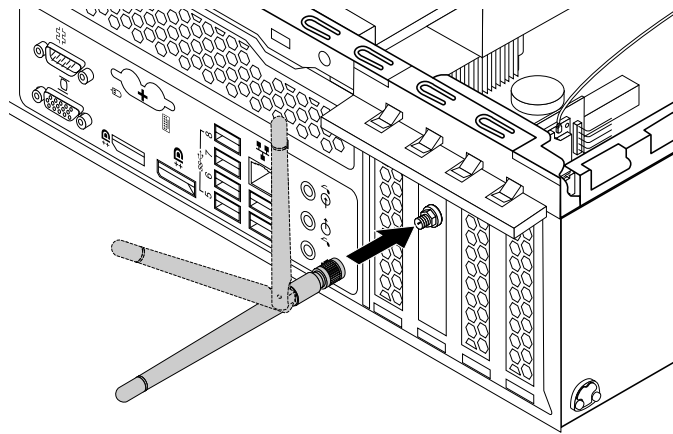


Figure 229. Installing the rear Wi-Fi antenna

What to do next:

- To work with another piece of hardware, go to the appropriate section.
- To complete the installation or replacement, go to “Completing the parts replacement” on page 223.

Removing the rear Wi-Fi antenna

To remove the rear Wi-Fi antenna, do the following:

1. Turn off the computer and disconnect all power cords from electrical outlets.
2. Straighten the rear Wi-Fi antenna so that it can be more easily twisted.

3. Hold the thicker end of the rear Wi-Fi antenna and unscrew the Wi-Fi antenna from the rear of the computer.

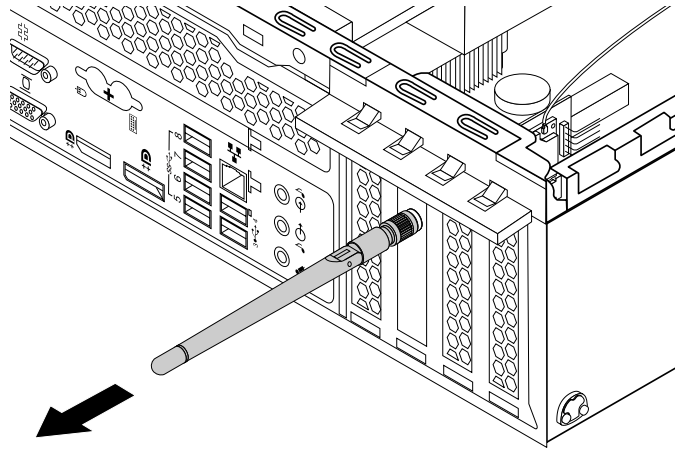


Figure 230. Removing the rear Wi-Fi antenna

What to do next:

- To work with another piece of hardware, go to the appropriate section.
- To complete the installation or replacement, go to “Completing the parts replacement” on page 223.

Replacing the keyboard or mouse

Important: Before you replace any FRU, be sure to read and understand Chapter 1 “Safety information” on page 1.

This section provides instructions on how to replace the keyboard or mouse.

To replace the keyboard or mouse, do the following:

1. Disconnect the old keyboard cable or mouse cable from the computer.
2. Connect a new keyboard or mouse to one of the USB connectors on the computer. Depending on where you want to connect the new keyboard or mouse, see “Locating connectors, controls, and indicators on the front of your computer” on page 74 or “Locating connectors on the rear of your computer” on page 75.

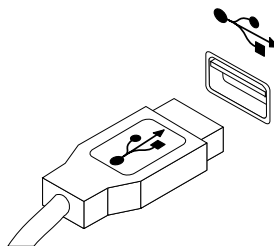


Figure 231. Connecting the USB keyboard or mouse

What to do next:

- To work with another piece of hardware, go to the appropriate section.

- To complete the installation or replacement, go to “Completing the parts replacement” on page 223.

Completing the parts replacement

After completing the installation or replacement for all parts, you need to reinstall the computer cover and reconnect cables. Depending on the parts you installed or replaced, you might need to confirm the updated information in the Setup Utility program. Refer to “Using the Setup Utility program” on page 53.

To reinstall the computer cover and reconnect cables to your computer, do the following:

1. Ensure that all components have been reassembled correctly and that no tools or loose screws are left inside your computer. See “Locating major FRUs and CRUs” on page 76 for the locations of various components in your computer.
2. If you have removed the front bezel, reinstall it.
3. Ensure that the cables are routed correctly before reinstalling the computer cover. Keep cables clear of the hinges and sides of the computer chassis to avoid interference with reinstalling the computer cover.
4. Press the release tab **1** as shown and pivot the drive bay assembly upward.

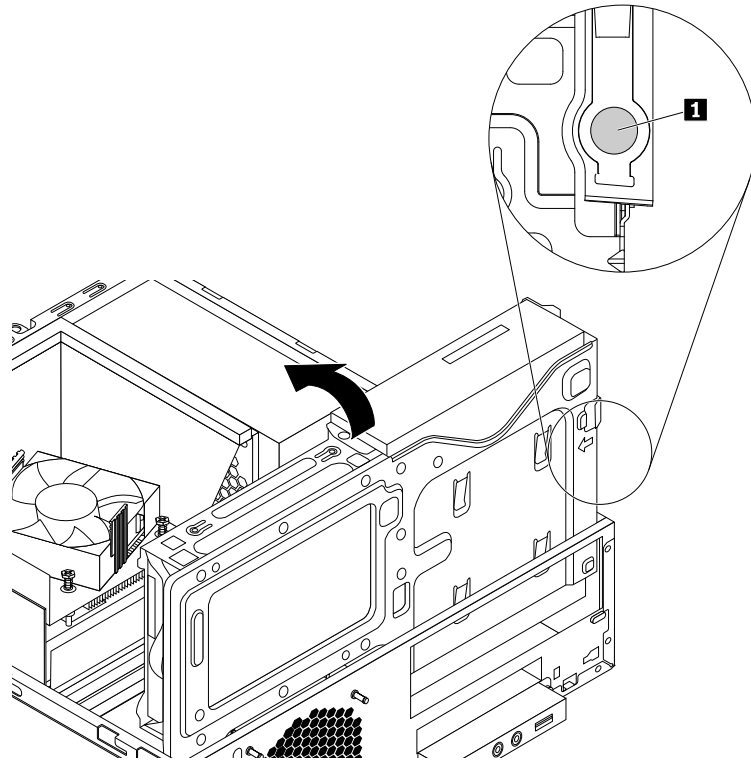


Figure 232. Pivoting the drive bay assembly downward

5. Position the computer cover on the chassis so that the rail guides on the bottom of the computer cover engage the rails on the chassis. Then, push the cover to the front of the computer until it snaps into position.

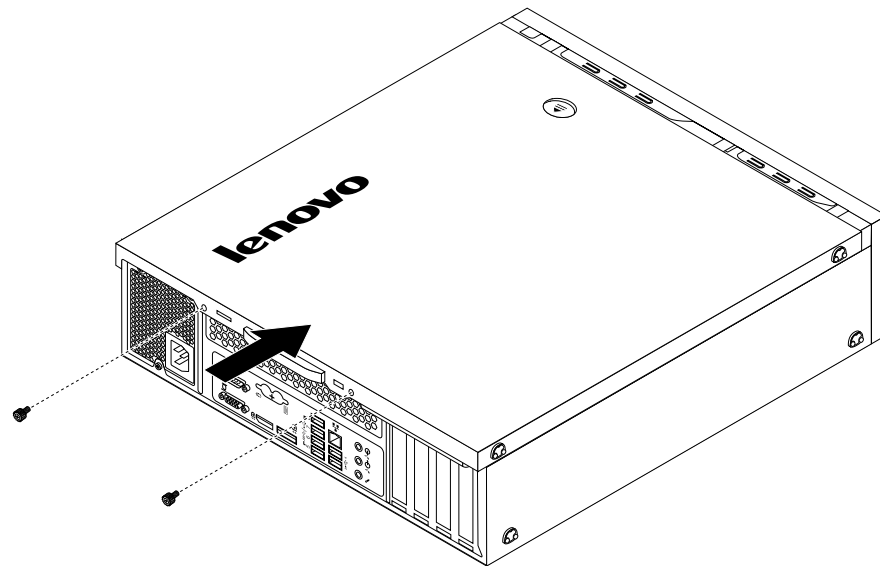


Figure 233. Reinstalling the computer cover

6. Install the screws to secure the computer cover.
7. If there is any locking device available, lock the computer cover.
8. Reconnect the external cables and power cords to the computer. See “Locating connectors on the rear of your computer” on page 75.
9. To update your configuration, refer to “Using the Setup Utility program” on page 53.

Note: In most areas of the world, Lenovo requires the return of the defective Customer Replaceable Unit (CRU). Information about this will come with the CRU or will come a few days after the CRU arrives.

Obtaining device drivers

You can obtain device drivers that are not preinstalled in your operating system at <http://www.lenovo.com/support>. Installation instructions are provided in readme files with the device-driver files.

Chapter 9. Additional service information

This chapter provides additional information that the service representative might find helpful.

Security features

Security features in this section include the following:

- Passwords
- Vital Product Data

Hardware controlled passwords

Hardware controlled passwords are set using the Setup Utility program. For more information about passwords, see “Using BIOS passwords” on page 54.

Operating system password

An operating system password is very similar to a power-on password and denies access to the computer by an unauthorized user when the password is activated. The computer is unusable until the password is entered and recognized by the computer.

Vital product data

Each computer has a unique Vital Product Data (VPD) code stored in the nonvolatile memory on the system board. After you replace the system board, the VPD must be updated. To update the VPD, see “Flash update procedures” on page 225.

BIOS levels

An incorrect level of BIOS can cause false errors and unnecessary FRU replacement. Use the following information to determine the current level of BIOS installed in the computer, the latest BIOS available for the computer, and where to obtain the latest level of BIOS.

- To determine the current Level of BIOS:
 - Start the Setup Utility.
 - Select Main menu.
- Sources for obtaining the latest level BIOS available
 1. Lenovo support web site: <http://www.lenovo.com/support/>
 2. Lenovo Customer Support Center
 3. Levels 1 and 2 Support

To update (flash) the BIOS, see “Flash update procedures” on page 225.

Note: BIOS settings vary by operating system. Change the BIOS settings before installing a new operating system. See “Changing the BIOS settings before installing a new operating system” on page 58.

Flash update procedures

This section details how to flash (update) the BIOS.

Updating (flashing) the BIOS from a disc

This section provides instructions on how to update (flash) the BIOS from a disc on the Windows 8 (64-bit) or Windows 8.1 (64-bit) operating system and on other operating systems.

Note: You can download a self-starting bootable disc image (known as an ISO image) with the system program updates to create a system-program-update disc. Go to <http://www.lenovo.com/support>.

To update (flash) the BIOS from a disc on the Windows 8 (64-bit) or Windows 8.1 (64-bit) operating system, do the following:

1. Start the Setup Utility program. See “Starting the Setup Utility program” on page 53.
2. From the Setup Utility program main menu, select **Exit → OS Optimized Default → Disabled**.
3. Select **Yes** in the window displayed and press Enter to confirm your selection.
4. Press F10 to save changes and exit the Setup Utility program. See “Exiting the Setup Utility program” on page 58.
5. Repeatedly press and release F12 when turning on the computer. When the Startup Device Menu window opens, release F12.
6. From the Startup Device Menu window, select the desired optical drive as the startup device. Then, insert the disc into this optical drive and press Enter. The update begins.
7. When prompted to change the serial number, it is suggested that you do not make this change by pressing N. However, if you do want to change the serial number, press Y, and then type in the serial number and press Enter.
8. When prompted to change the machine type and model, it is suggested that you do not make this change by pressing N. However, if you do want to change the machine type and model, press Y, and then type in the machine type and model and press Enter.
9. Follow the instructions on the screen to complete the update. After the update is completed, remove the disc from the optical drive.
10. Restart your computer and start the Setup Utility program. See “Starting the Setup Utility program” on page 53.
11. From the Setup Utility program main menu, select **Exit → OS Optimized Default → Enabled**.
12. Select **Yes** in the window displayed and press Enter to confirm your selection.
13. Press F10 to save changes and exit the Setup Utility program. See “Exiting the Setup Utility program” on page 58.

To update (flash) the BIOS from a disc on other operating systems, do the following:

1. Turn off your computer.
2. Repeatedly press and release F12 when turning on the computer. When the Startup Device Menu window opens, release F12.
3. From the Startup Device Menu window, select the desired optical drive as the startup device. Then, insert the disc into this optical drive and press Enter. The update begins.
4. When prompted to change the serial number, it is suggested that you do not make this change by pressing N. However, if you do want to change the serial number, press Y, and then type in the serial number and press Enter.
5. When prompted to change the machine type and model, it is suggested that you do not make this change by pressing N. However, if you do want to change the machine type and model, press Y, and then type in the machine type and model and press Enter.
6. Follow the instructions on the screen to complete the update. After the update is completed, remove the disc from the optical drive.

Updating (flashing) the BIOS from your operating system

Note: Because Lenovo makes constant improvements to its Web sites, the Web page contents are subject to change without notice, including the contents referenced in the following procedure.

To update (flash) the BIOS from your operating system, do the following:

1. Go to <http://www.lenovo.com/support>.
2. Click **Download Drivers & Software**.
3. Click **Use Quick Path**.
4. Type the 4-digit machine type for your computer in the **Quick Path** field and then click **Find My Product**.
5. Click **BIOS**.
6. Locate the BIOS version that you want to download.
7. Click **Click for files**. All available files will be displayed.
8. Click the link for the readme file that contains the instructions for updating (flashing) the BIOS from your operating system.
9. Print these instructions. This is very important because these instructions will not be displayed on the screen after the download begins.
10. Follow the printed instructions to download, extract, and install the update.

Recovering from a POST/BIOS update failure

If the power to your computer is interrupted while the POST and BIOS is being updated, your computer might not restart correctly. If this happens, perform the following procedure to recover from the POST and BIOS update failure. This procedure is commonly called Boot-block Recovery.

1. Remove all media from the drives and turn off all attached devices and the computer. Then, disconnect all power cords from electrical outlets and disconnect all cables that are connected to the computer.
2. Place a soft, clean towel or cloth on the desk or surface. Hold the sides of your computer and gently lay it down so that the screen is against the surface and the cover is facing up.
3. Remove the computer stand.
4. Remove the computer cover.
5. Remove the system board shield.
6. Locate the Clear CMOS /Recovery jumper on the system board.
7. Move the jumper from the standard position (pin 1 and pin 2) to the maintenance position (pin 2 and pin 3).
8. Install the system board shield.
9. Install the computer cover.
10. Install the computer stand.
11. Connect the external cables and the power cord to the computer.
12. Turn on the computer and then insert the POST and BIOS update (flash update) disc into the optical drive. Wait a few minutes. Then, the recovery session begins. The recovery session will take two to three minutes. During this time, a warning message will be displayed and no action is needed from you.
13. After the recovery session is completed, there will be no video, and your computer will automatically turn off.
14. Repeat step 1 through step 6.
15. Move the Clear CMOS /Recovery jumper back to the standard position (pin 1 and pin 2).
16. Repeat step 8 through step 11.
17. Turn on the computer to restart the operating system.

Power management

Power management reduces the power consumption of certain components of the computer such as the system power supply, processor, hard disk drives, and some monitors.

Advanced configuration and power interface (ACPI) BIOS

Being an ACPI BIOS system, the operating system is allowed to control the power management features of the computer and the setting for Advanced Power Management (APM) BIOS mode is ignored. Not all operating systems support ACPI BIOS mode.

Automatic Power-on features

The Automatic Power-On features within the Power Management menu allow you to enable and disable features that turn on the computer automatically.

- **Wake Up on Alarm:** You can specify a date and time at which the computer will be turned on automatically. This can be either a single event or a daily event.
- **Wake on LAN:** If the computer has a properly configured token-ring or Ethernet LAN adapter card that is Wake on LAN-enabled and there is remote network management software, you can use the Wake on LAN feature. When you set Wake on LAN to **Enabled**, the computer will turn on when it receives a specific signal from another computer on the local area network (LAN).

To enable the Wake on LAN function or the Wake Up on Alarm function on the Windows 8 or Windows 8.1 operating system, do the following:

1. Open Control Panel.
2. Click **Hardware and Sound → Power Options**.
3. In the left panel, do one of the following:
 - For Windows 8: Click **Choose what the power buttons do**.
 - For Windows 8.1: Click **Choose what the power button does**.
4. In the **Shutdown setting** section, clear **Turn on fast startup**.

Note: If the settings are unavailable, click **Change settings that are currently unavailable**.

5. Click **Save changes**.

Appendix A. System memory speed

The Intel Xeon® microprocessor families that are compatible with this ThinkStation computer feature an integrated memory controller, which provides the microprocessor with direct access to the system memory. Because of this design, the system memory speed will be determined by a number of factors, including the microprocessor model and the type, speed, size (capacity), and number of DIMMs installed. Refer to the following table for the information on the supported system memory speed for your own computer model.

Table 3. : DIMM type and speed: PC3-12800 (1.5 V)

Microprocessor model	Memory frequency
Intel i5-4570, i5-4670, i7-4770, Intel Xeon E3-1220V3, E3-1225V3, E3-1230V3, E3-1240V3, E3-1245V3, E3-1270V3, E3-1275V3, E3-1280V3	1600 MHz

Table 4. : DIMM type and speed: PC3-12800E (1.5 V)

Microprocessor model	Memory frequency
Intel i5-4570, i5-4670, i7-4770, Intel Xeon E3-1220V3, E3-1225V3, E3-1230V3, E3-1240V3, E3-1245V3, E3-1270V3, E3-1275V3, E3-1280V3	1600 MHz

Appendix B. Notices

Lenovo may not offer the products, services, or features discussed in this document in all countries. Consult your local Lenovo representative for information on the products and services currently available in your area. Any reference to a Lenovo product, program, or service is not intended to state or imply that only that Lenovo product, program, or service may be used. Any functionally equivalent product, program, or service that does not infringe any Lenovo intellectual property right may be used instead. However, it is the user's responsibility to evaluate and verify the operation of any other product, program, or service.

Lenovo may have patents or pending patent applications covering subject matter described in this document. The furnishing of this document does not give you any license to these patents. You can send license inquiries, in writing, to:

*Lenovo (United States), Inc.
1009 Think Place - Building One
Morrisville, NC 27560
U.S.A.
Attention: Lenovo Director of Licensing*

LENOVO PROVIDES THIS PUBLICATION "AS IS" WITHOUT WARRANTY OF ANY KIND, EITHER EXPRESS OR IMPLIED, INCLUDING, BUT NOT LIMITED TO, THE IMPLIED WARRANTIES OF NON-INFRINGEMENT, MERCHANTABILITY OR FITNESS FOR A PARTICULAR PURPOSE. Some jurisdictions do not allow disclaimer of express or implied warranties in certain transactions, therefore, this statement may not apply to you.

This information could include technical inaccuracies or typographical errors. Changes are periodically made to the information herein; these changes will be incorporated in new editions of the publication. Lenovo may make improvements and/or changes in the product(s) and/or the program(s) described in this publication at any time without notice.

The products described in this document are not intended for use in implantation or other life support applications where malfunction may result in injury or death to persons. The information contained in this document does not affect or change Lenovo product specifications or warranties. Nothing in this document shall operate as an express or implied license or indemnity under the intellectual property rights of Lenovo or third parties. All information contained in this document was obtained in specific environments and is presented as an illustration. The result obtained in other operating environments may vary.

Lenovo may use or distribute any of the information you supply in any way it believes appropriate without incurring any obligation to you.

Any references in this publication to non-Lenovo Web sites are provided for convenience only and do not in any manner serve as an endorsement of those Web sites. The materials at those Web sites are not part of the materials for this Lenovo product, and use of those Web sites is at your own risk.

Any performance data contained herein was determined in a controlled environment. Therefore, the result obtained in other operating environments may vary significantly. Some measurements may have been made on development-level systems and there is no guarantee that these measurements will be the same on generally available systems. Furthermore, some measurements may have been estimated through extrapolation. Actual results may vary. Users of this document should verify the applicable data for their specific environment.

Television output notice

The following notice applies to models that have the factory-installed television-output feature.

This product incorporates copyright protection technology that is protected by method claims of certain U.S. patents and other intellectual property rights owned by Macrovision Corporation and other rights owners. Use of this copyright protection technology must be authorized by Macrovision Corporation, and is intended for home and other limited viewing uses only unless otherwise authorized by Macrovision Corporation. Reverse engineering or disassembly is prohibited.

European conformance CE mark



Trademarks

The following terms are trademarks of Lenovo in the United States, other countries, or both:

- Lenovo
- Rescue and Recovery
- The Lenovo logo
- The ThinkStation logo
- ThinkStation
- ThinkVantage

Microsoft, Windows, and Windows Media are trademarks of the Microsoft group of companies.

Intel and Xeon are trademarks of Intel Corporation in the United States, other countries, or both.

Linux is a trademark of Linus Torvalds in the United States, other countries, or both.

Other company, product, or service names may be trademarks or service marks of others.

Index

A

accessing
 system board components and drives 146
Administrator, password 54
Advance configuration 53
audio line-in connector 69, 75
audio line-out connector 69, 75

B

basic troubleshooting 33
battery, replacing 103, 155
BIOS settings, changing 58
boot-block recovery 227

C

card reader, installing 101, 150
card reader, replacing 101, 153
changing
 password 54
 startup device sequence 56
cleaning an optical mouse 41
CMOS, clearing 55
components, internal 69, 76
computer cover
 removing 83, 144
computer cover, reinstalling 142, 223
connector 69, 75
connectors
 rear 68, 75
connectors, controls, indicators
 front 67, 74
considerations, passwords 54
cover presence switch, replacing 129, 197
CRU
 completing the installation 142, 223
CRUs (Customer Replaceable Units), returning
 defective 69, 76

D

deleting a password 54
Description 69, 75
desktop computers
 hardware, replacing
 thermal sensor 108
device drivers 143, 224
diagnostic program 51
diagnostics, troubleshooting 33
DisplayPort connector 69, 76
drivers, device 143, 224
drives
 bays 73, 80

specifications 73, 80

E

environment, operating 27–28
Ethernet connector 69, 76
exiting, Setup Utility 58

F

failure, recovering from POST/BIOS 227
flashing the BIOS 226
front
 connectors, controls, indicators 67, 74
front audio and USB assembly, replacing 99, 182
front bezel
 front bezel, removing 84, 145
front bezel, reinstalling 84, 145
front fan assembly, replacing 125
front Wi-Fi antenna, installing, removing 140, 218
FRU locations 69, 76
FRU part numbers iii, 67, 72, 74, 78
FRUs, replacing 83

H

hard disk drive, replacing 118, 201
Hard disk, password 54
hardware, replacing
 desktop computers
 thermal sensor 108
 tower computers
 internal speaker 107
heat sink and fan assembly, replacing 105, 185

I

Identifying FRUs 69, 76
installing
 mSATA solid-state drive 114, 156
 operating system 58
 solid-state drive 113, 178
installing options
 memory module 88, 146
 PCI card 85, 148
internal speaker, replacing 188
internal speaker, replacing, tower computers 107

K

keyboard connector 69, 76
keyboard, replacing 141, 222

L

Lenovo Solution Center 51
locating components 69, 76
looking up part numbers iii, 67, 72, 74, 78

M

memory module
installing, replacing 88, 146
system board 88, 146
Microphone connector 69, 76
microprocessor
replacing 110, 199
mouse connector 69, 76
mouse, replacing 141, 222
mSATA solid-state drive, installing 114, 156
mSATA solid-state drive, replacing 116, 159

N

notice, television output 232
notices 231

O

optical drive, replacing 90, 162
optical mouse
cleaning 41
Optional-service CRUs 69, 76

P

part numbers iii, 67, 72, 74, 78
parts replacement, completing 142, 223
password
Administrator 54
considerations 54
Hard disk 54
Power-on password 54
setting, changing, deleting 54
passwords
erasing 55
lost or forgotten 55
passwords, using 54
PCI card 85, 148
installing, replacing 85, 148
slots 85, 148
physical specifications 27–28
power button, replacing 127, 195
power supply assembly, replacing 104, 190
Power-on, password 54

R

rear connectors 68, 75
rear fan assembly, replacing 126
rear Wi-Fi antenna, installing, removing 138, 221
recovering
from a POST/BIOS update failure 227

recovery
boot-block 227
removing computer cover 83, 144
replacing
battery 103, 155
card reader 101, 153
front audio and USB assembly 99
hard disk drive 118, 201
heat sink and fan assembly 105, 185
microprocessor 110, 199
mSATA solid-state drive 116, 159
solid-state drive 179
system board 130

S

security
enabling or disabling 55
selecting
startup device 55
temporary startup device 56
Self-service CRUs 69, 76
serial connector 69, 76
setting
password 54
settings
changing 53
viewing 53
Setup Utility 53
Setup Utility program, starting 53
Setup Utility, exiting 58
slim optical drive, card reader, eSATA connector, IEEE
1394 connector, replacing 93, 165
slim optical drive, hard disk drive 172
solid-state drive, installing 113, 178
solid-state drive, replacing 179
starting the Setup Utility program 53
startup device 55
sequence, changing 56
temporary, selecting 56
support web site
support 30
support, web site 30
system board
connectors 72, 79
locating parts 72, 79
locations 72, 79
memory module 88, 146
replacing 130
system board components and drives
accessing 146
system fan, replacing 183

T

television output notice 232
temporary startup device 56
the BIOS, updating (flashing) 226–227
thermal sensor, desktop computers 108
thermal sensor, replacing 211

- tower computers
 - hardware, replacing
 - internal speaker 107
- trademarks 232
- troubleshooting, basic 33
- troubleshooting, diagnostics 33

U

- updating
 - (flashing) the BIOS 226
- updating (flashing) the BIOS 227
- USB 2.0 connector 69, 76
- USB 3.0 connector 69, 76
- using
 - passwords 54
 - Setup Utility 53

V

- VGA connector 76
- VGA monitor connector 69
- viewing and changing settings 53

W

- Wi-Fi units, Wi-Fi adapter card, Wi-Fi card module, Wi-Fi antenna cable, replacing 133, 213

lenovo[®]