



# Lenovo B575

User Guide v1.0



Read the safety notices and important tips in the included manuals before using your computer.

## Notes

- Before using the product, be sure to read *Lenovo Safety and General Information Guide* first.
- Some instructions in this guide may assume that you are using Windows® 7. If you are using other Windows operating system, some operations may be slightly different. If you are using other operating systems, some operations may not apply to you.
- The features described in this guide are common to most models. Some features may not be available on your computer and/or your computer may include features that are not described in this user guide.
- Users of Windows preinstalled computers should create a system recovery disc via Lenovo “OneKey Rescue system” as soon as possible.  
If the computer fails to boot up due to a system malfunction, the recovery disc can be used to restore the system to the factory default setting.\*  
\* The recovery disc is not supplied with the computer.
- Installation discs for preinstalled application software are not supplied with Windows preinstalled computers. You can visit the Lenovo Idea product support site to find all preinstalled software downloads.  
By default, you can find some installation backups for certain reinstalled application software in the APP folder under the D driver.
- Please login to Lenovo Idea product support site <http://support.lenovo.com> for services such as downloading the latest drivers and patches, warranty registration, technical support and technical call center phone lists.
- The illustrations in this manual may differ from the actual product. Please refer to the actual product.

## Regulatory Notice

- The *Regulatory Notice* provides information about the radio frequency and safety standards. Be sure to read it before using wireless devices on your computer.
- To refer to it, go to <http://www.lenovo.com>, click **Support**, and then click **User’s guides and manuals**.

**First Edition (Apr 2011)**

**© Copyright Lenovo 2011.**

LENOVO products, data, computer software, and services have been developed exclusively at private expense and are sold to governmental entities as commercial items as defined by 48 C.F.R. 2.101 with limited and restricted rights to use, reproduction and disclosure. LIMITED AND RESTRICTED RIGHTS NOTICE: If products, data, computer software, or services are delivered pursuant a General Services Administration “GSA” contract, use, reproduction, or disclosure is subject to restrictions set forth in Contract No. GS-35F-05925.

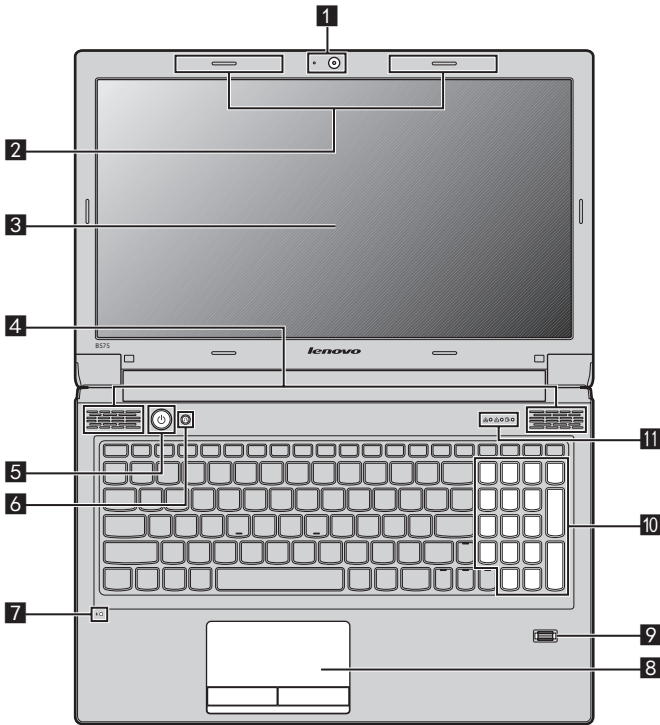
# Contents

<b>Chapter 1. Getting to know your computer</b> .....	<b>1</b>
Top view .....	1
Left-side view .....	3
Right-side view .....	4
Front view .....	5
Bottom view .....	6
<b>Chapter 2. Learning the basics</b> .....	<b>7</b>
First use .....	7
Using AC adapter and battery .....	9
Using the touchpad .....	10
Using the keyboard .....	11
Connecting external devices .....	13
Special keys and buttons .....	15
System status indicators .....	16
Securing your computer .....	17
<b>Chapter 3. Connecting to the Internet</b> .....	<b>18</b>
Wired connection .....	18
Wireless connection .....	19
<b>Chapter 4. OneKey Rescue system</b> .....	<b>23</b>
OneKey Rescue system .....	23
<b>Appendix A. CRU instructions</b> .....	<b>24</b>
Replacing the battery .....	24
Replacing the hard disk drive .....	25
Replacing memory .....	29
Removing the optical drive .....	32
<b>Trademarks</b> .....	<b>34</b>
<b>Index</b> .....	<b>35</b>



# Chapter 1. Getting to know your computer

## ■ ■ Top view



### Notes:

- The illustrations in this manual may differ from the actual product. Please refer to the actual product.

### ⊙ Attention:

- Do NOT open the display panel beyond 130 degrees. When closing the display panel, be careful NOT to leave pens or any other objects in between the display panel and the keyboard. Otherwise, the display panel may be damaged.

### 1 Integrated camera (Select models only)

Use the camera for video communication.

### 2 Wireless module antennas (Select models only)

The built-in antennas ensure optimal reception of wireless radio.

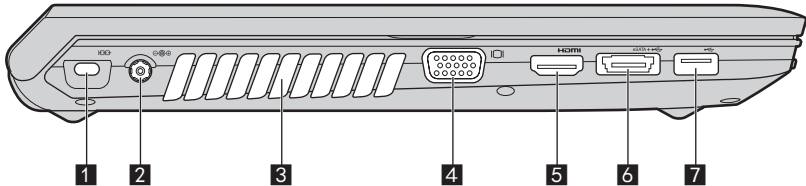
### 3 Computer display

The LCD display provides brilliant visual output.

## Chapter 1. Getting to know your computer

- |  |  |  |
|--|--|--|
| <b>4</b>   | <b>Speakers</b>                                | The stereo speakers provide rich and powerful sound.   |
| <b>5</b>   | <b>Power button</b>                            | Press this button to turn on the computer.   |
| <b>6</b>   | <b>OneKey Rescue system button</b>             | Press this button to open OneKey Rescue system (If OneKey Rescue system has been preinstalled) when the computer is powered off. |
| <b>Note:</b> For details, see “OneKey Rescue system” on page 23. |  |  |
| <b>7</b>   | <b>Built-in microphone</b>                     | The built-in microphone (with noise reduction) can be used for video conferencing, voice narration, or simple audio recordings.  |
| <b>8</b>   | <b>Touchpad</b>                                | The touchpad functions as a conventional mouse.  |
| <b>Note:</b> For details, see “Using the touchpad” on page 10.   |  |  |
| <b>9</b>   | <b>Fingerprint reader (Select models only)</b> | With the fingerprint reader you can register fingerprints and use them as passwords to secure your computer.                     |
| <b>10</b>  | <b>Numeric keypad</b>                          | For details, see “Using the keyboard” on page 11.  |
| <b>11</b>  | <b>System status indicators</b>                | For details, see “System status indicators” on page 16.  |

## ■ ■ Left-side view



- 1 Kensington slot** Attach a security lock (not supplied) here.

**Note:** For details, see “Attaching a security lock (not supplied)” on page 17.

- 2 AC power adapter jack** Connect the AC adapter here.

**Note:** For details, see “Using AC adapter and battery” on page 9.

- 3 Fan louvers** Dissipate internal heat.

**Note:** Make sure that none of the fan louvers are blocked or else overheating of the computer may occur.

- 4 VGA port** Connects to external display devices.

- 5 HDMI port (Select models only)** Connects to devices with HDMI input such as a TV or a display.

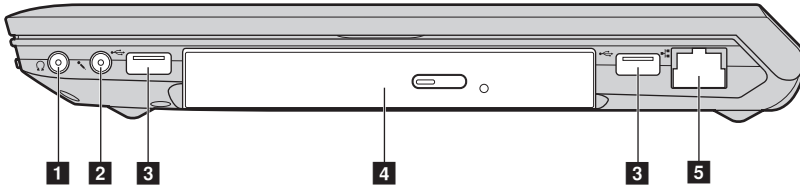
- 6 USB port or eSATA/USB combo port (Select models only)** Connects to eSATA or USB devices.

**Note:** For details, see “Connecting a universal serial bus (USB) device” on page 13.

- 7 USB port** Connects to USB devices.

**Note:** For details, see “Connecting a universal serial bus (USB) device” on page 13.

## Right-side view



**1 Headphone jack** Connects to external headphones.

ⓘ **Attention:**

- Listening to music at high volume over extended periods of time may damage your hearing.

**2 Microphone jack** Connects to external microphones.

**3 USB port** Connects to USB devices.

**Note:** For details, see “Connecting a universal serial bus (USB) device” on page 13.

**4 Optical drive** Reads/Burns optical disks.

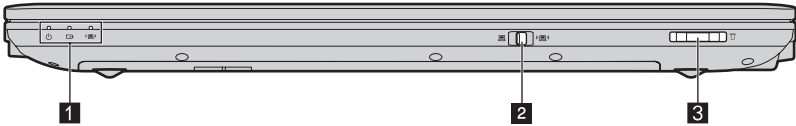
**5 RJ-45 port** This port connects the computer to an Ethernet network.

**Note:** For details, see “Wired connection” on page 18.



## ■ ■ Front view

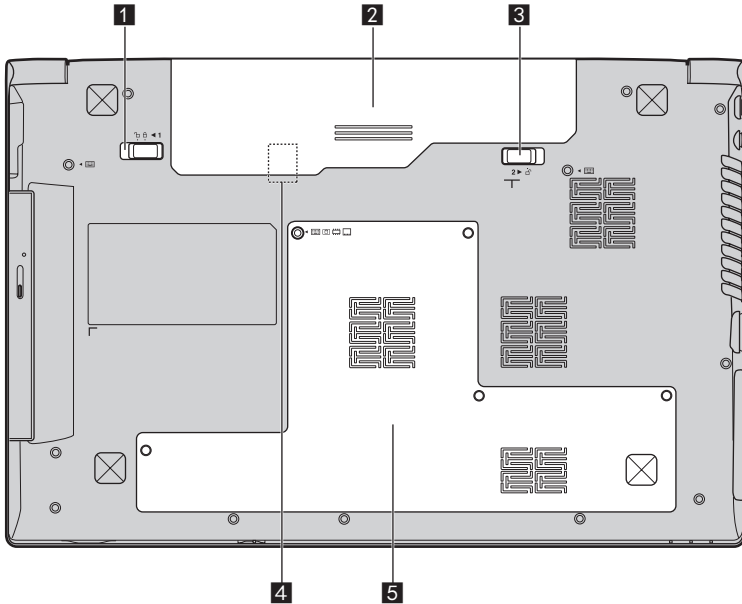
---



- 1 System status indicators** For details, see “System status indicators” on page 16.
- 2 Integrated wireless device switch (Select models only)** Use this switch to turn on/off the wireless radio of all wireless devices on your computer.
- 3 Memory card slot** Insert memory cards (not supplied) here.

**Note:** For details, see “Using memory cards (not supplied)” on page 13.

■ ■ Bottom view



- 1 Battery latch - manual** The manual battery latch is used to keep the battery pack secured in place.
- 2 Battery pack** For details, see “Using AC adapter and battery” on page 9.
- 3 Battery latch - spring loaded** The spring-loaded battery latch keeps the battery pack secured in place.
- 4 SIM card slot (Select models only)** Insert a SIM card (not supplied) for using Mobile Broadband.

**Notes:**

- In order to be able to insert a SIM card into this slot, you must first disconnect the AC adapter and remove the battery pack.
- For details, see “Using Mobile Broadband (Select models only)” on page 20.

- 5 Hard disk drive (HDD) / Memory / Mini PCI Express Card slot compartment**

## Chapter 2. Learning the basics

### ■ ■ First use

---

#### ■ Reading the manuals

Read the supplied manuals before using your computer.

#### ■ Connecting to the power

The supplied battery pack is not fully charged at purchase.

To charge the battery and begin using your computer, insert the battery pack and connect the computer to an electrical outlet. The battery is automatically charged while the computer is running on AC power.

##### **Installing the battery pack**

Refer to the supplied *Setup Poster* to install the battery pack.

##### **Connecting the computer to an electrical outlet**

- ① Connect the power cord to the AC adapter.
- ② Connect the AC adapter to the AC power adapter jack of the computer firmly.
- ③ Plug the power cord into an electrical outlet.

#### ■ Turning on the computer

Press the power button to turn on the computer.

#### ■ Configuring the operating system

You may need to configure the operating system when it is first used. The configuration process may include the procedures below.

- Accepting the end user license agreement
- Configuring the Internet connection
- Registering the operating system
- Creating a user account

#### ■ Putting your computer into sleep state or shutting it down

When you finish working with your computer, you can put it into sleep state or shut it down.

##### **Putting your computer into sleep state**

If you will be away from your computer for only a short time, put the computer into sleep state. When the computer is in sleep state, you can quickly wake it to resume use, and bypass the startup process.

## Chapter 2. Learning the basics

To put the computer into sleep state, do one of the following.

- Click  and select **Sleep** from the Start menu.
- Press **Fn + F1**.


**Note:** Wait until the power indicator light starts blinking (indicating that the computer is in sleep state) before you move your computer. Moving your computer while the hard disk is spinning can damage the hard disk, causing loss of data.

To wake the computer, do one of the following.

- Press the power button.
- Press any key on the keyboard.

### Shutting down your computer

If you are not going to use your computer for a day or two, shut it down.

To shut down your computer, click  and select **Shut down** from the Start menu.

## ■ ■ Using AC adapter and battery

---

### ■ Checking battery status

You can determine the percentage of battery power remaining by checking the battery icon in the notification area.

**Note:** As each computer user has different habits and needs, it is difficult to predict how long a battery charge will last. There are two main factors:

- The amount of energy stored in the battery when you commence work.
- The way you use your computer: for example, how often you access the hard disk drive and how bright you make the computer display.

### ■ Charging the battery

When you find that the battery power is low, you need to charge the battery or replace it with a fully charged one.

You need to charge the battery in any of the following situations:

- When you purchase a new battery
- If the battery status indicator starts blinking
- If the battery has not been used for a long time

**Notes:**

- You are advised to insert the battery pack when using your computer to prevent small particles from entering the inside of your computer.
- To increase the life of the battery pack, the computer does not start recharging the battery immediately after it drops from fully charged.
- Charge the battery at a temperature between 50 °F and 86 °F (10 °C-30 °C).
- Full charge or discharge is not required.

### ■ Removing the battery pack

If you are not going to use the computer for an extended period of time, or if you need to send your computer to Lenovo for service, etc. remove the battery pack from the computer. Before removing the battery pack, make sure the computer has been shut down.

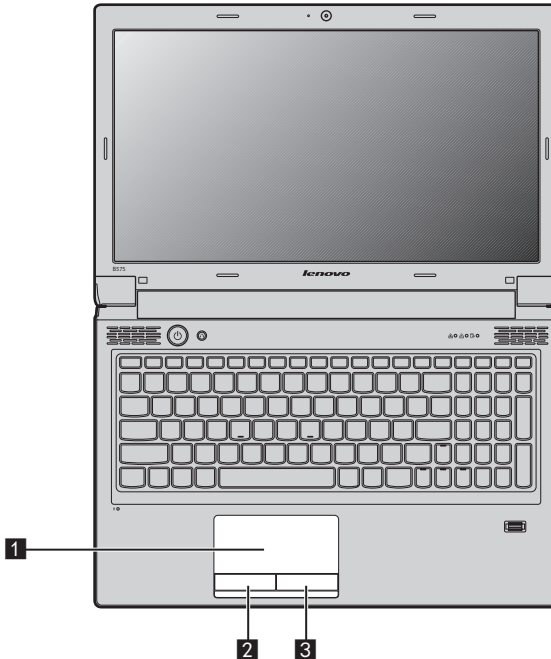
### ■ Handling the battery

If the rechargeable battery pack is replaced with an incorrect type, there may be danger of an explosion. The battery pack contains a small amount of harmful substances. To avoid possible injury and detriment to the environment, pay attention to the following points:

- Replace only with a battery of the type recommended by Lenovo.
- Keep the battery pack away from fire.
- Do not expose the battery pack to water or rain.
- Do not attempt to disassemble the battery pack.
- Do not short-circuit the battery pack.
- Keep the battery pack away from children.
- Do not put the battery pack in trash that is disposed of in landfills. When disposing of the battery, comply with local ordinances or regulations and your company's safety standards.

## ■ ■ Using the touchpad

---



**1 Touchpad**

To move the cursor on the screen, slide your fingertip over the pad in the direction in which you want the cursor to move.

**2 Left click button**

The function corresponds to that of the left mouse button on a conventional mouse.

**3 Right click button**

The function corresponds to that of the right mouse button on a conventional mouse.

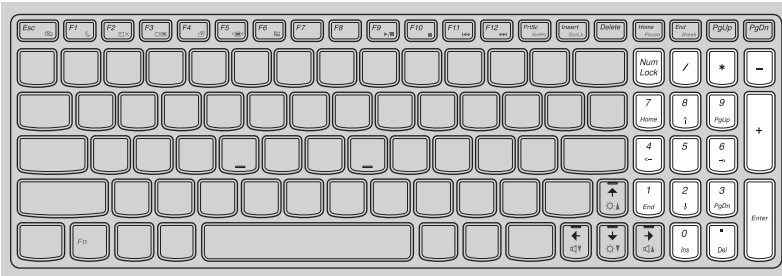
**Note:** You can enable/disable the touchpad using **Fn + F6**.

## ■ ■ Using the keyboard

Your computer has a numeric keypad and function keys incorporated in its standard keyboard.

### ■ Numeric keypad

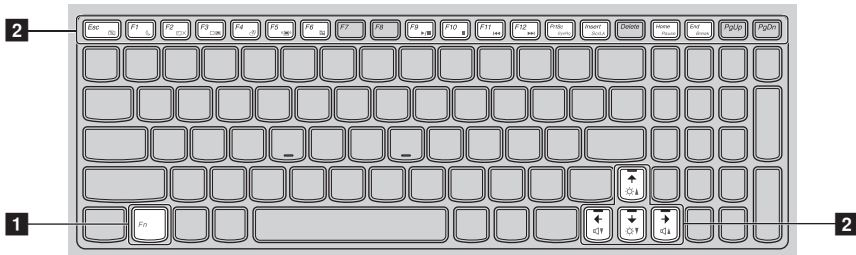
The keyboard has a separate numeric keypad. To enable or disable the numeric keypad, press the **Num Lock** key.



**Note:** The Num lock indicator will light on if the numeric keypad is enabled.

### ■ Function key combinations

Through the use of the function keys, you can change operational features instantly. To use this function, press and hold **Fn** **1**; then press one of the function keys **2**.



## Chapter 2. Learning the basics

The following describes the features of each function key.

<b>Fn + Esc:</b>	Turn on/off the integrated camera.
<b>Fn + F1:</b>	Enter sleep mode.
<b>Fn + F2:</b>	Turn on/off the backlight of the LCD screen.
<b>Fn + F3:</b>	Open the interface for the display device switch to select this notebook or an external display.
<b>Fn + F4:</b>	Open the interface for display resolution settings.
<b>Fn + F5:</b>	Open the interface for integrated wireless devices settings (on/off).
<b>Fn + F6:</b>	Enable/Disable the touchpad.
<b>Fn + F9:</b>	Start/Pause playback of Windows Media Player.
<b>Fn + F10:</b>	Stop playback of Windows Media Player.
<b>Fn + F11:</b>	Skip to the previous track.
<b>Fn + F12:</b>	Skip to the next track.
<b>Fn + Insert:</b>	Enable/Disable the scroll lock.
<b>Fn + PrtSc:</b>	Activate the system request.
<b>Fn + Home:</b>	Activate the pause function.
<b>Fn + End:</b>	Activate the break function.
<b>Fn + ↑ / ↓ :</b>	Increase/Decrease display brightness.
<b>Fn + → / ← :</b>	Increase/Decrease sound volume.



## ■ ■ Connecting external devices

---

Your computer has a wide range of built-in features and connection capabilities.

### ■ Using memory cards (not supplied)

Your computer supports the following types of memory cards:

- Secure Digital (SD) card
- Secure Digital High Capacity (SDHC) card
- MultiMediaCard (MMC)
- Memory Stick (MS)
- Memory Stick PRO (MS PRO)
- xD-Picture (xD) card

**Notes:**

- Insert ONLY one card in the slot at a time.
- This card reader does not support SDIO devices (e.g., SDIO Bluetooth, etc.).

### Inserting a memory card

- 1 Push the dummy card until you hear a click. Gently pull the dummy card out of the memory card slot.

**Note:** The dummy card is used for preventing dust and small particles from entering the inside of your computer when the memory card slot is not in use. Retain the dummy card for future use.

- 2 Slide the memory card in until it clicks into place.

### Removing a memory card

- 1 Push the memory card until you hear a click.
- 2 Gently pull the memory card out of the memory card slot.

**Note:** Before removing the memory card, disable it via Windows safely remove hardware and eject media utility to avoid data corruption.

### ■ Connecting a universal serial bus (USB) device

Your computer comes with three USB ports and an eSATA/USB port compatible with USB devices or four USB ports compatible with USB devices.

**Note:** When using a high power consumption USB device such as USB ODD, use the external device's power adapter. Otherwise, the device may not be recognized, and system shut down may result.



## Chapter 2. Learning the basics

### ■ Connecting a *Bluetooth* device (Select models only)

If your computer has an integrated *Bluetooth* adapter card, it can connect to and transfer data wirelessly to other *Bluetooth* enabled devices, such as notebook computers, PDAs and cell phones. You can transfer data between these devices without cables and up to 10 meters range in open space.

**Note:** The actual maximum range may vary due to interference and transmission barriers. To get the best possible connection speed, place the device as near your computer as possible.

### Enabling *Bluetooth* communications on your computer

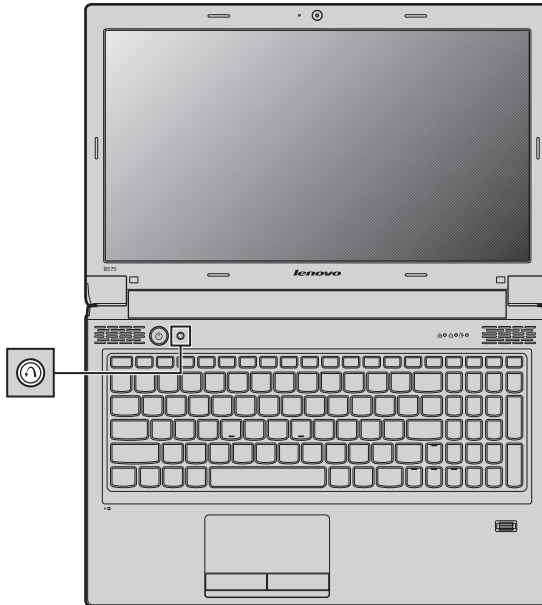
- 1 Slide the integrated wireless device switch from  to .
- 2 Press **Fn + F5** to make configuration.

#### **Notes:**

- When you do not need to use the *Bluetooth* function, turn it off to save battery power.
- You need to pair the *Bluetooth* enabled device with your computer before you can transfer data between them. Read the documentation supplied with the *Bluetooth* enabled device for details on how to pair the device with your computer.

## ■ ■ Special keys and buttons

---



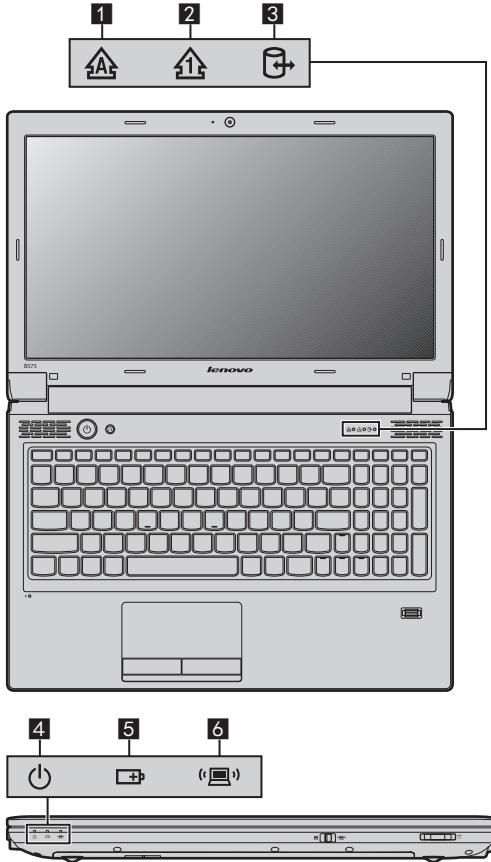
### ■ OneKey Rescue system button







- When the computer is powered-off, press this button to enter the OneKey Rescue system if Lenovo OneKey Rescue system has been preinstalled.
- In Windows operating system, press this button to start Lenovo OneKey Recovery.

**Note:** For details, see “OneKey Rescue system” on page 23.

## ■ ■ System status indicators

These indicators inform you of the computer status.



- 1 Caps lock indicator 
- 2 Num lock indicator 
- 3 Hard disk drive indicator 
- 4 Power status indicator 
- 5 Battery status indicator 
- 6 Wireless communication indicator 

### ■ ■ Securing your computer

---

This section provides information about how to help protect your computer from theft and unauthorized use.

#### ■ Attaching a security lock (not supplied)

You can attach a security lock to your computer to help prevent it from being removed without your permission. For details on installing the security lock, please refer to the instructions shipped with the security lock that you have purchased.

Refer to the “Left-side view” on page 3 for the location of the Kensington slot.

**Notes:**

- Before purchasing any security product, verify that it is compatible with this type of security keyhole.
- You are responsible for evaluating, selecting, and implementing the locking devices and security features. Lenovo offers no comment judgement or warranty regarding the function, quality or performance of locking devices and security features.

#### ■ Using passwords

Using passwords helps prevent your computer from being used by others. Once you set a password and enable it, a prompt appears on the screen each time you power on the computer. Enter your password at the prompt. The computer cannot be used unless you enter the correct password.

**Note:** This password can be from one to seven alphanumeric characters in any combination.

For details about how to set the password, see the Help to the right of the screen in BIOS setup utility.

**Note:** To enter BIOS setup utility, press **F2** when the Lenovo logo appears on the screen while the computer is starting up.

#### ■ Fingerprint reader (Select models only)

With the fingerprint reader, in addition to registering fingerprint information and using it as a password for Windows operating system or Web site logon, you can also launch applications quickly and encrypt private data with your fingerprint to secure your computer.

For more details on fingerprint reader, see the Help file of your software.

# Chapter 3. Connecting to the Internet

As a global network, the Internet connects computers worldwide, providing services such as e-mailing, information searching, electronic commerce, Web browsing and entertainment.

You can connect the computer to the Internet in the following ways:

**Wired connection:** use physical wiring to connect.

**Wireless network technology:** connect without wiring.

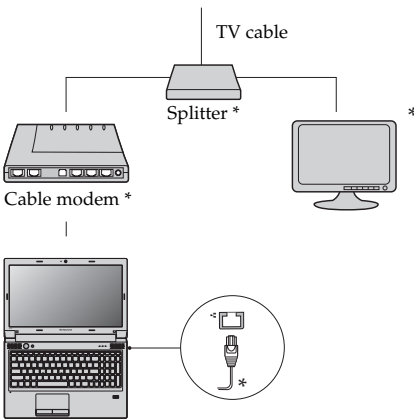
## ■ ■ Wired connection

Wired connections are a reliable and safe way to connect the computer to the Internet.

Cable	Cable Internet services use a cable modem connected to the residential cable TV line.
DSL	DSL is a family of related technologies that bring high-speed network access to homes and small businesses over ordinary telephone lines.

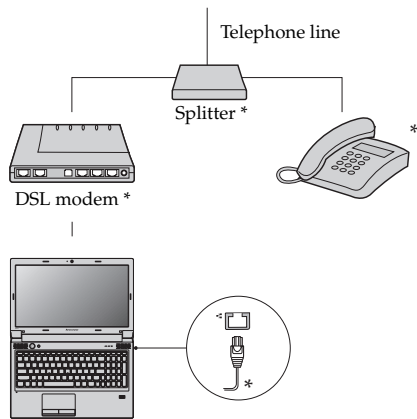
## ■ Hardware connection

### Cable



\* Not supplied.

### DSL



**Note:** The above diagrams are for reference only. Actual connection method may vary.

## ■ Software configuration

Consult your Internet Service Provider (ISP) for details on how to configure your computer.

## ■ Wireless connection

Wireless connections provide mobile access to the Internet, allowing you to stay online anywhere the wireless signal covers.

Divided by the signal scales, wireless connection to the Internet can be built based on the following standards.



Wi-Fi	Wi-Fi networks cover a small physical area, like a home, office, or small group of buildings. An access point is necessary for the connection.
WiMAX	WiMAX networks connect several Wireless LAN systems to cover a metropolitan area, providing high-speed broadband access without the need for cables.
Mobile Broadband	The Mobile Broadband network provides Internet access to computers, cell phones and other devices over a large geographic area. Mobile networks are used for data transmission, and access is usually provided by a mobile network operator. A Mobile Broadband SIM card is necessary for the connection.

**Note:** Your computer may not support all wireless connection methods.

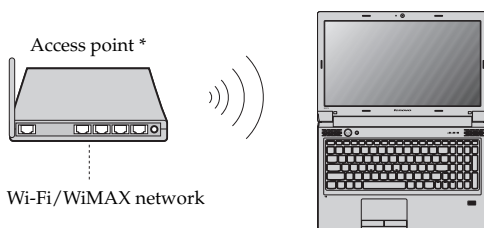
## ■ Using Wi-Fi/WiMAX (Select models only)

### Enabling wireless connection

To enable wireless communications, do the following:

- 1 Slide the integrated wireless device switch from  to .
- 2 Press **Fn + F5** to make configuration.

### Hardware connection



\* Not supplied

### Software configuration

Consult your Internet Service Provider (ISP) and search Windows Help and Support Center for details on how to configure your computer.

## Chapter 3. Connecting to the Internet

### ■ Using Mobile Broadband (Select models only)

Before getting started with Mobile Broadband, you first need to choose a mobile network operator and make sure you are in the coverage area of the network. After that, you also need:

- To activate the Mobile Broadband service through your local mobile network operator. You will get a Subscriber Identity Module (SIM) card after activation. For instructions on inserting the SIM card, refer to “Inserting the SIM card” on page 21.

#### **Notes:**

- Various standards are in use by mobile operators to provide Mobile Broadband services. The Lenovo Mobile Broadband module may support one or more of the following standards:
    - GSM (Global System for Mobile Communications)
    - TD-SCDMA (Time Division-Synchronous Code Division Multiple Access)
    - SCDMA (Synchronous Code Division Multiple Access)
    - EV-DO (Evolution Data Optimized)
    - HSPA (High Speed Packet Access)
  - Mobile Broadband is a subscription service. Refer to your local mobile network operator for availability, cost and other information.
  - A SIM card is a type of smart card used by mobile network operators to identify their service subscribers on the mobile network. You will get the SIM card from your mobile network operator after you have activated the Mobile Broadband service.
- A connection management utility to connect/disconnect to your Mobile Broadband network.

**Note:** In general, your mobile service provider provides this utility.



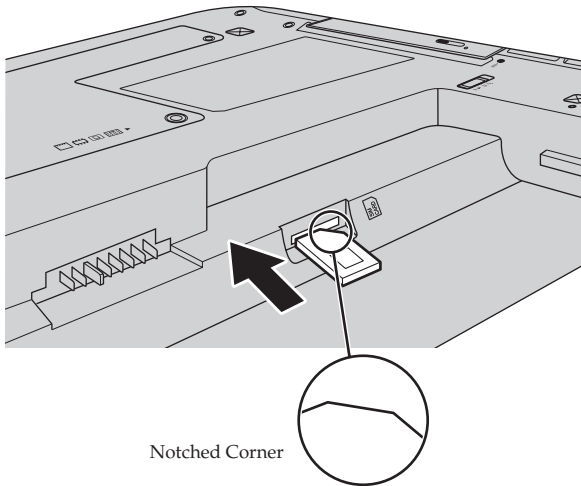
### Inserting the SIM card

To insert the SIM card:

- 1 Turn off the computer; then disconnect the AC adapter and all cables from the computer.
- 2 Close the computer display and turn it over.
- 3 Remove the battery.
- 4 Insert the SIM card in the card slot until it clicks into place as shown in the illustration.

**Notes:**

- The direction of insertion is shown by the SIM card mark next to the card slot.
- Inserting the SIM card in the wrong direction may damage the SIM card slot.



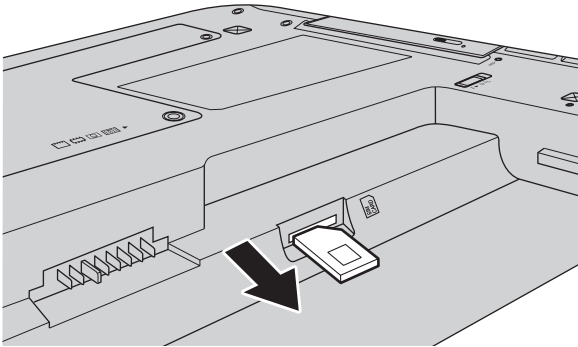
- 5 Put the battery back in place. Turn the computer over and reconnect the cables.

## Chapter 3. Connecting to the Internet

### Removing the SIM card

To remove the SIM card:

- 1 Turn off the computer, then disconnect the AC adapter and all cables from the computer.
- 2 Close the computer display and turn it over.
- 3 Remove the battery.
- 4 Push the SIM card in until you hear a click, and then pull the SIM card out.



- 5 Put the battery back in place. Turn the computer over and reconnect the cables.

**Note:** Never insert or remove the SIM card while the computer is on. Doing so may cause permanent damage to the SIM card as well as the SIM card reader.

# Chapter 4. OneKey Rescue system

## ■ ■ OneKey Rescue system

---

### ■ Introduction

The Lenovo OneKey Rescue system is an easy-to-use application that can be used to back up the data on your system partition (C drive) for easy restore when required. You can run Lenovo OneKey Recovery under the Windows operating system, and the OneKey Rescue system without starting the Windows operating system.

#### ⦿ **Attention:**

In order to utilize the features of the OneKey Rescue system, your hard disk already includes a hidden partition by default to store the system image file and OneKey Rescue system program files. This default partition is hidden for security reasons and is the reason the available disk space is less than it claims. The exact available hard disk space depends on the file size of the mirror image file (based on the size of operating system and preinstalled software).

### ■ Using Lenovo OneKey Recovery (within Windows operating system)

In Windows operating system, double click the OneKey Recovery system Icon on the desktop to launch Lenovo OneKey Recovery.

Within the program, you can back up the system partition on the hard disk drive, other storage devices, or by creating recovery discs.


#### **Notes:**

- The backup process and creation of recovery discs may take some time, connect the AC adapter and battery pack to your computer.
- After the recovery discs are burned, please number them so that you can use them in the correct order.
- Computers without an integrated optical drive support the creation of recovery discs; however an appropriate external optical drive is needed to physically create the recovery discs.

**For more instructions, see the Help file of Lenovo OneKey Recovery.**

### ■ Using Lenovo OneKey Rescue system (without Windows operating system)

In the event that the operating system cannot be loaded, follow the steps below to access OneKey Rescue system.

- Shut down your computer.
- Press the  key to launch OneKey Rescue system.

Within the program, you can choose to restore your system partition to the original factory status, or to a previously generated backup.

**Note:** The recovery process is irreversible. Make sure to back up any critical data before using the recovery feature.

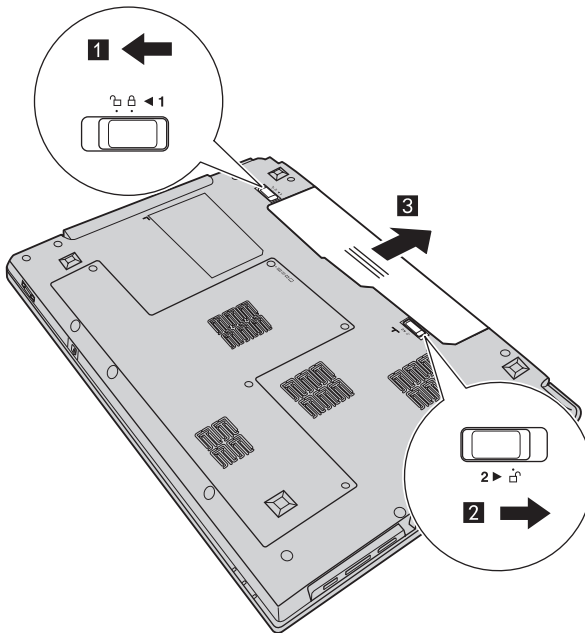
## Appendix A. CRU instructions

### ■ ■ Replacing the battery

**Note:** Use only the battery provided by Lenovo. Any other battery could ignite or explode.

To replace the battery, do the following:

- 1 Turn off the computer, or enter hibernation mode. Disconnect the AC adapter and all cables from the computer.
- 2 Close the computer display, and turn the computer over.
- 3 Unlock the manual battery latch **1**. Holding the spring-loaded battery latch in the unlocked position **2**, remove the battery pack in the direction shown by the arrow **3**.



- 4 Install a fully charged battery.
- 5 Slide the manual battery latch to the locked position.
- 6 Turn the computer over again. Connect the AC adapter and the cables to the computer again.

## ■ ■ Replacing the hard disk drive

---

You can increase the storage capacity of your computer by replacing the hard disk drive with one of greater capacity. You can purchase a new hard disk drive from your reseller or Lenovo marketing representative.

**Notes:**

- Replace the hard disk drive only if you upgrade it or have it repaired. The connectors and bay of the hard disk drive were not designed for frequent changes, or drive swapping.
- The preinstalled softwares are not included on an optional hard disk drive.

**Handling a hard disk drive**

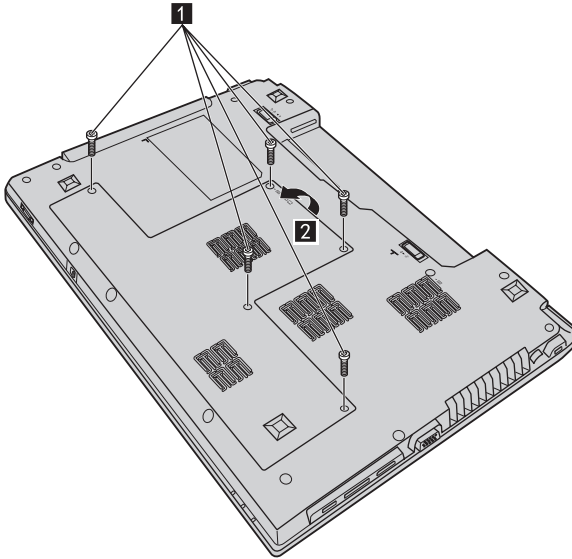
- Do not drop the drive or subject it to physical shocks. Put the drive on a material, such as soft cloth, that absorbs the physical shock.
- Do not apply pressure to the cover of the drive.
- Do not touch the connector.

The drive is very sensitive. Incorrect handling can cause damage and permanent loss of data on the hard disk. Before removing the hard disk drive, make a backup copy of all the information on the hard disk, and then turn the computer off. Never remove the drive while the system is operating, in sleep mode, or in hibernation mode.

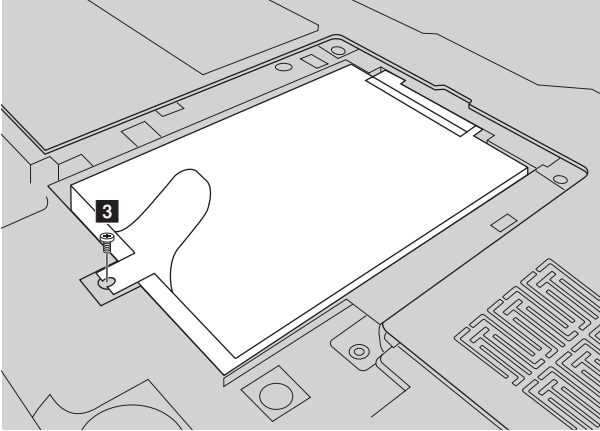
## Appendix A. CRU instructions

To replace the hard disk drive, do the following:

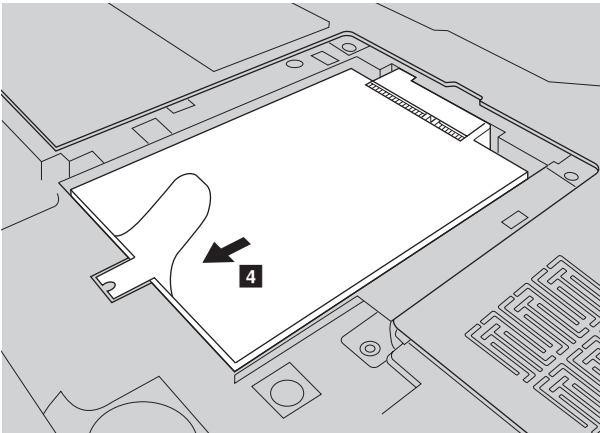
- ❶ Turn off the computer; then disconnect the AC adapter and all cables from the computer.
- ❷ Close the computer display, and then turn the computer over.
- ❸ Remove the battery pack.
- ❹ Remove the Hard disk drive (HDD)/Memory/Mini PCI Express Card slot compartment cover.
  - a. Loosen the screws that secure the compartment cover ❶ .
  - b. Remove the compartment cover ❷ .



- 5 Remove the frame fixing screw 3.

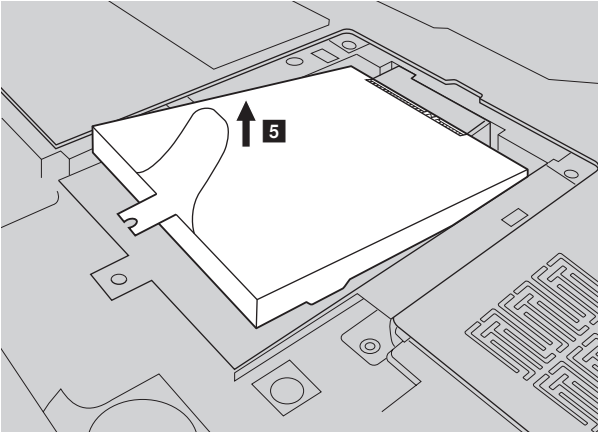


- 6 Pull the tab in the direction shown by arrow 4.



## Appendix A. CRU instructions

- 7 Take out the hard disk drive secured in a metal frame **5**.



- 8 Remove the screws and detach the metal frame from the hard disk drive.
- 9 Attach the metal frame to a new hard disk drive and tighten the screws.
- 10 Put the hard disk drive gently into the hard disk drive bay with the tab facing upwards and the connectors facing each other; then push it firmly into space.
- 11 Reinstall the frame fixing screw.
- 12 Reinstall the compartment cover and tighten the screws.
- 13 Reinstall the battery pack.
- 14 Turn the computer over again. Connect the AC adapter and the cables to the computer again.



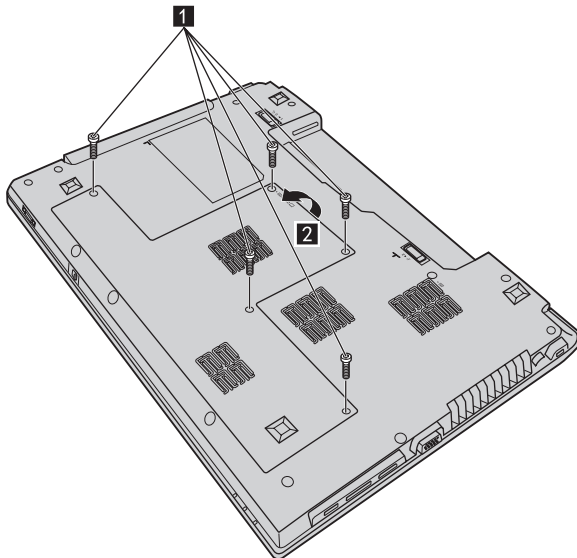
## ■ ■ Replacing memory

You can increase the amount of memory in your computer by installing a double-data-rate three synchronous dynamic random access memory (DDR3 SDRAM)-available as an option-in the memory slot of your computer. DDR3 SDRAMs are available in various capacities.

**Note:** Use only the memory types supported by your computer. If you incorrectly install optional memory, or install an unsupported memory type, a warning beep will sound when you try to start the computer.

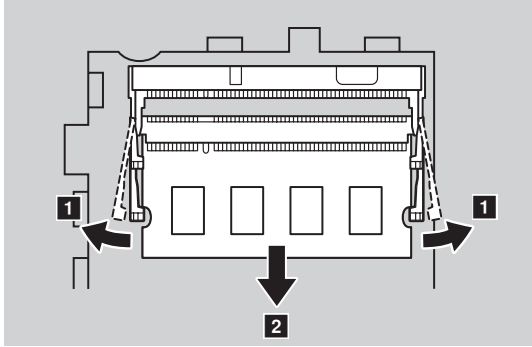
To install a DDR3 SDRAM, do the following:

- ❶ Touch a metal table or a grounded metal object to reduce any static electricity in your body, which could damage the DDR3 SDRAM. Do not touch the contact edge of the DDR3 SDRAM.
- ❷ Turn off the computer. Disconnect the AC adapter and all cables from the computer.
- ❸ Close the computer display, and turn the computer over.
- ❹ Remove the battery pack.
- ❺ Remove the Hard disk drive (HDD)/Memory/Mini PCI Express Card slot compartment cover.
  - a. Loosen the screws that secure the compartment cover ❶.
  - b. Remove the compartment cover ❷.

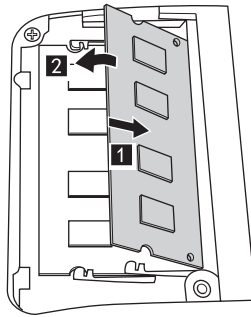


## Appendix A. CRU instructions

- 6 If two DDR3 SDRAMs are already installed in the memory slot, remove one of them to make room for the new one by pressing out on the latches on both edges of the socket at the same time. Be sure to save the old DDR3 SDRAM for future use.

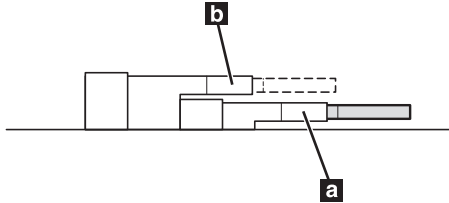


- 7 Align the notch of the DDR3 SDRAM with the protrusion of the socket and gently insert the DDR3 SDRAM into the socket at a 30-45° angle.
- 8 Push the DDR3 SDRAM inward toward the socket until the latches on both edges of the socket are pushed into the closed position.



- 9 Reinstall the compartment cover and tighten the screws.
- 10 Reinstall the battery pack.
- 11 Turn the computer over again. Connect the AC adapter and the cables to the computer again.

**Note:** If only one DDR3 SDRAM is used on the computer you are servicing, the card must be installed in SLOT-0 (**a**: lower slot), but not in SLOT-1 (**b**: upper slot).



To make sure that the DDR3 SDRAM is installed correctly, do as follows:

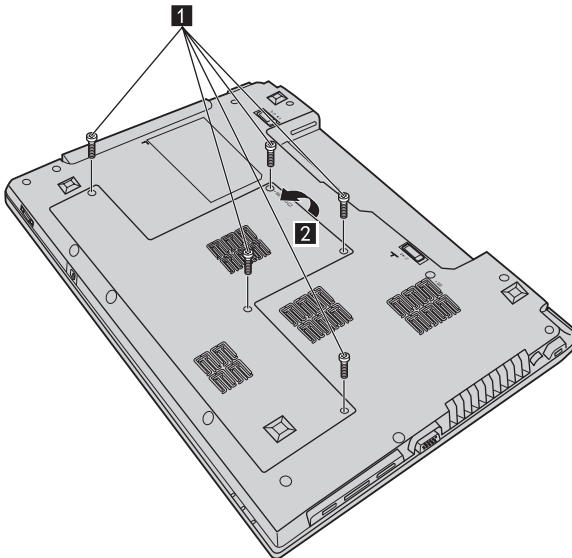
- 1 Turn the computer on.
- 2 Hold **F2** during startup. The BIOS setup utility screen opens. The **System Memory** item shows the total amount of memory installed in your computer.

## ■ ■ Removing the optical drive

---

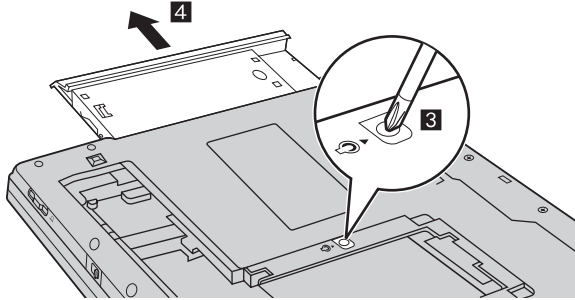
To remove the optical drive, do the following:

- ❶ Turn off the computer; then disconnect the AC adapter and all cables from the computer.
- ❷ Close the computer display, and then turn the computer over.
- ❸ Remove the battery pack.
- ❹ Remove the Hard disk drive (HDD)/Memory/Mini PCI Express Card slot compartment cover.
  - a. Loosen the screws that secure the compartment cover ❶ .
  - b. Remove the compartment cover ❷ .



- ❺ Remove the screw shown in the illustration ❸ .

- 6 Gently pull the optical drive out 4 .



The following table provides a list of CRUs (Customer Replaceable Units) for your computer, and informs you of where to find replacement instructions.

	Setup Poster	User Guide
AC adapter	○	
Power cord for AC adapter	○	
Battery	○	○
Bottom access doors		○
Hard disk drive		○
Memory		○
Optical drive		○

## Trademarks

The following terms are trademarks or registered trademarks of Lenovo in the United States, other countries, or both.

Lenovo  
OneKey

Microsoft and Windows are trademarks of Microsoft Corporation in the United States, other countries, or both.

Other company, products, or service names may be trademarks or service marks of others.

# Index

## A

AC adapter  
Using ..... 9

## B

Battery  
Charging ..... 9  
Bluetooth  
Connecting ..... 14

## C

Camera ..... 1

## F

Fingerprint reader ..... 17  
Function key combinations ..... 11

## K

Keyboard  
Using ..... 11

## M

Memory card reader ..... 13  
Microphone  
Built-in ..... 2

## O

OneKey Rescue system button ..... 23

## P

Password  
Using ..... 17

## S

Security ..... 17  
SIM card ..... 21

## T

Touchpad ..... 10  
Trademarks ..... 34

## U

USB port ..... 3, 13

**lenovo**®



**If your product is not working correctly,  
DO NOT RETURN IT TO THE STORE.**

For technical assistance, contact a Lenovo support specialist 24 hours a day by calling toll free **1-877-4 LENOVO (1-877-453-6686)**.

Additionally, you can find support information and updates on the Lenovo Web site located at **<http://consumersupport.lenovo.com>**.

\* Only for the users from the United States.



***lenovo***<sup>®</sup>

New World. New Thinking.<sup>™</sup>  
[www.lenovo.com](http://www.lenovo.com)