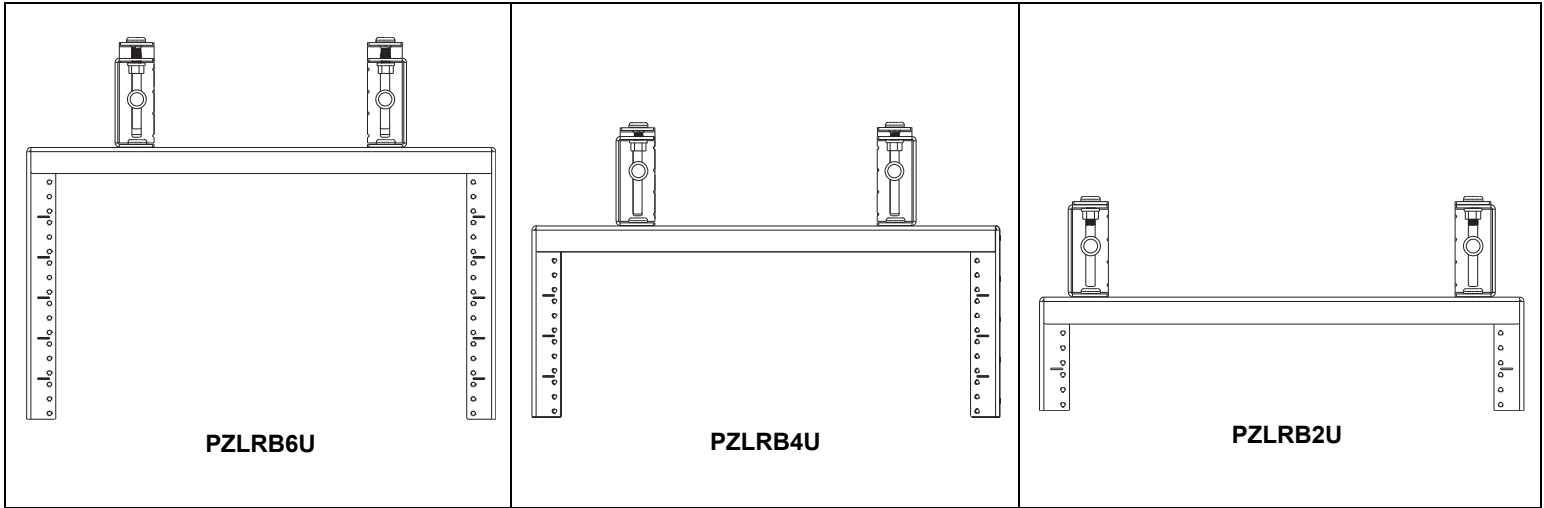


INSTALLATION INSTRUCTIONS CM533A

© Panduit Corp. 2011

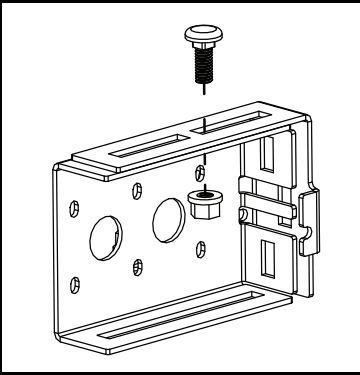
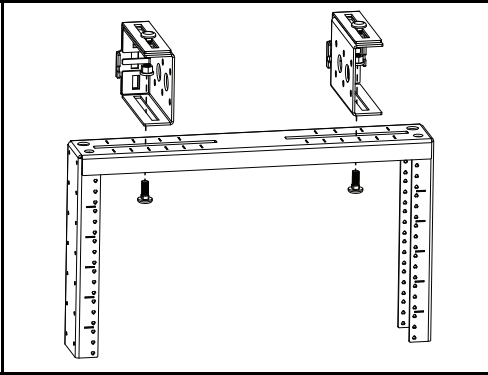
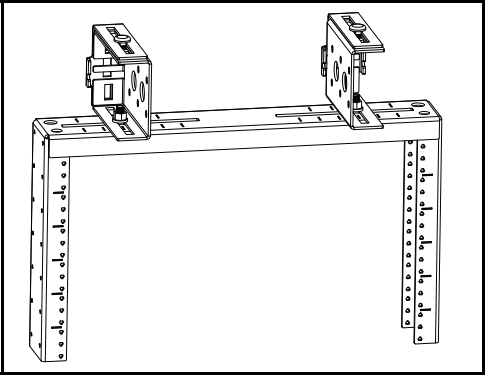
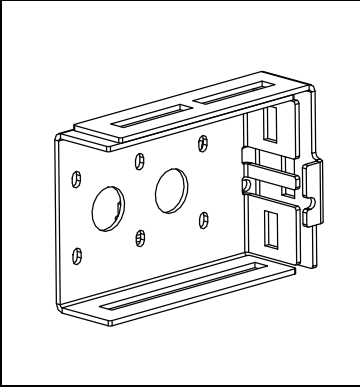
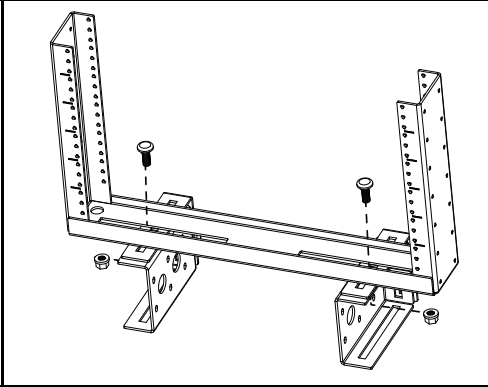
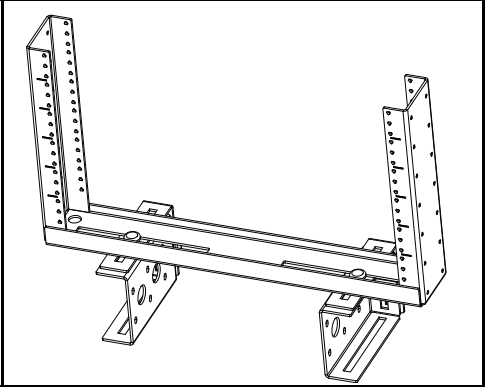
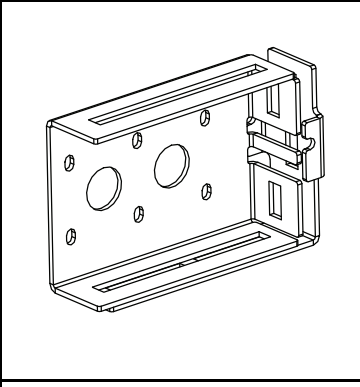
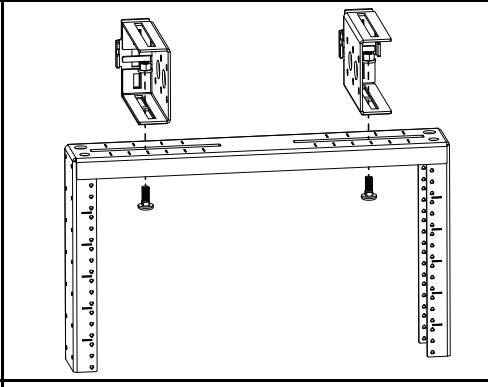
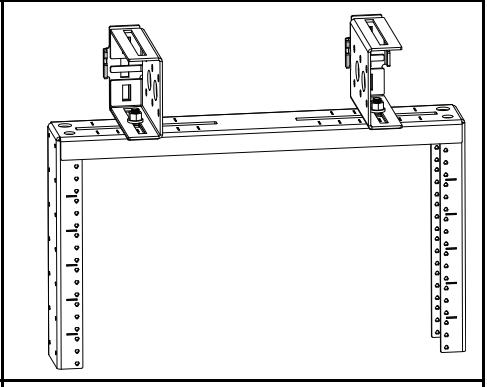
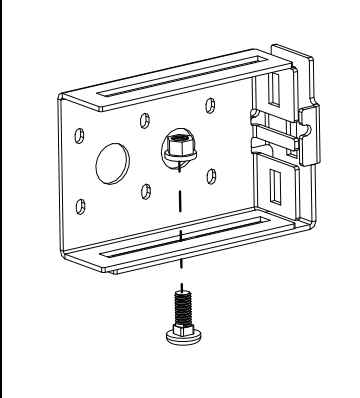
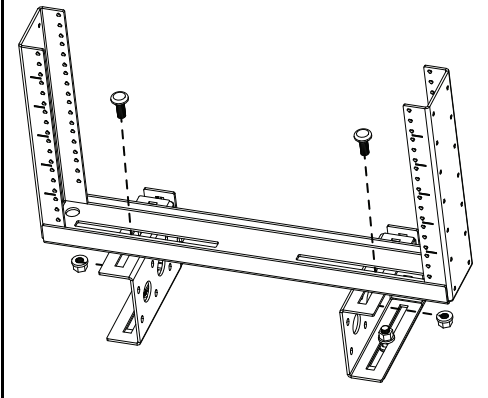
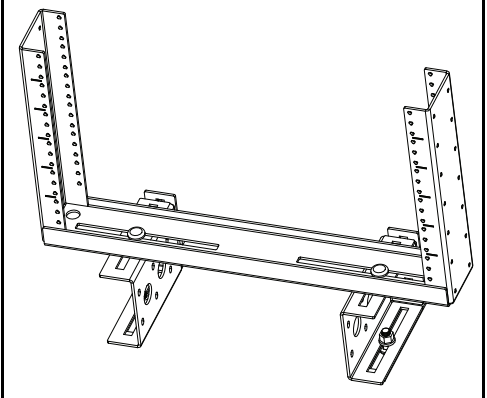


<u>Included components:</u>	Component	Quantity	Part Number	Packs of #12-24 screws
	PZLRB Main Bracket	1	PZLRB2U	2
	Rectangular Mounting Bracket	2	PZLRB4U	4
	"L" Shaped Mounting Bracket	2	PZLRB6U	6
	3/8-16 Carriage bolt	6		
	3/8-16 Carriage nut	6		

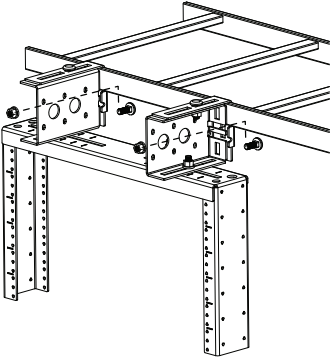
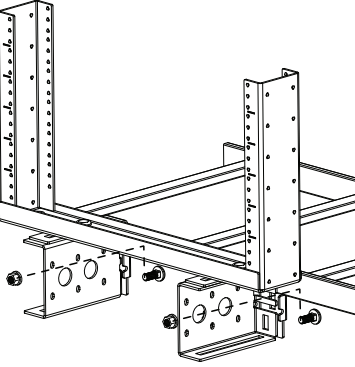
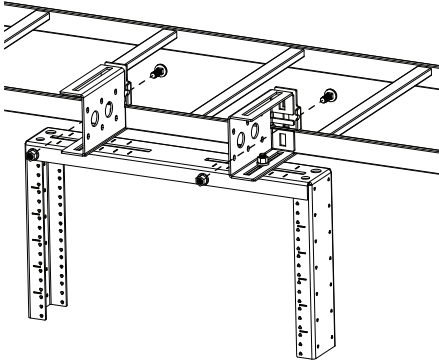
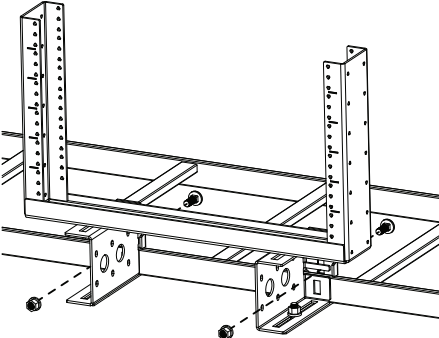
Table of Contents

I. MOUNT ON LADDER RACK	2-4	III. MOUNT ON WYR-GRID	8-10
MOUNT ON SIDE RAIL (bracket down).....	2-3	MOUNT ON SIDE WALL (bracket down).....	8-9
BELOW.....	2-3	BELOW.....	8-9
ABOVE.....	2-3	ABOVE.....	8-9
MOUNT ON SIDE RAIL (bracket up).....	2-3	MOUNT ON SIDE WALL (bracket up).....	8-9
BELOW.....	2-3	BELOW.....	8-9
ABOVE.....	2-3	ABOVE.....	8-9
MOUNT BELOW CENTER RUNG.....	4	MOUNT BELOW WYR-GRID	10
PERPENDICULAR.....	4	PERPENDICULAR	10
PARALLEL.....	4	PARALLEL	10
II. MOUNT ON CABLE TRAY	5-7	IV. ALTERNATE SIDE MOUNTING OF PZLRB MAIN BRACKET TO RECTANGULAR BRACKET	11
MOUNT ON SIDE WALL (bracket down).....	5-6		
BELOW.....	5-6		
ABOVE.....	5-6		
MOUNT ON SIDE WALL (bracket up).....	5-6	V. POSITIONING OF MOUNTING BRACKETS	12
BELOW.....	5-6		
ABOVE.....	5-6	VI. MOUNT USING THREADED RODS	13
MOUNT BELOW CABLE TRAY.....	7		
PERPENDICULAR.....	7	VII. RECOMMENDED SUPPORT SPACING	14
PARALLEL.....	7		
		VIII. GROUNDING	14

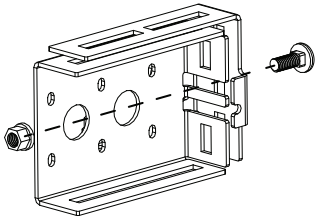
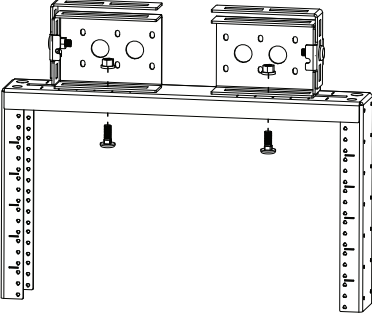
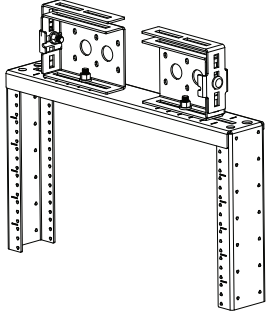
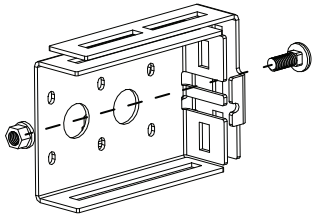
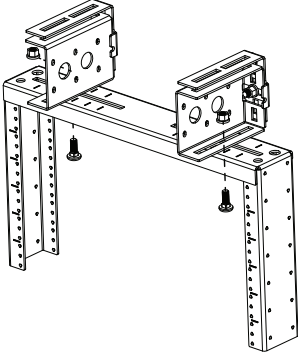
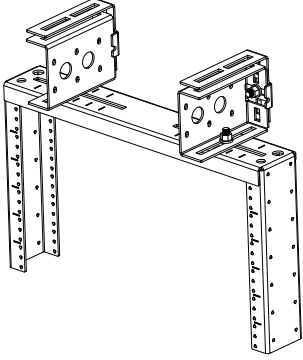
I. Mount on Ladder Rack

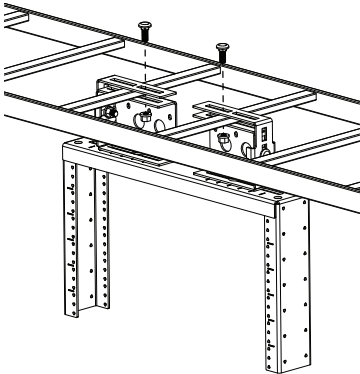
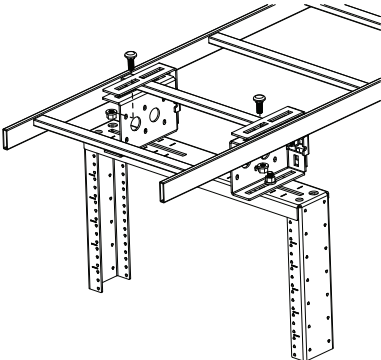
Ladder Rack		Align Mount Brackets	Position Mounting Brackets	Assemble PZLRB2U/4U/6U
SIDE MOUNT (bracket down)	BELOW			
	ABOVE			
SIDE MOUNT (bracket up)	BELOW			
	ABOVE			

I. Mount on Ladder Rack

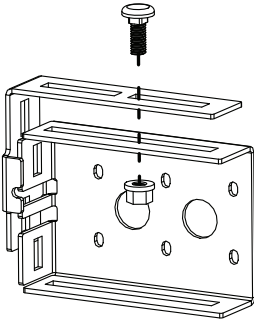
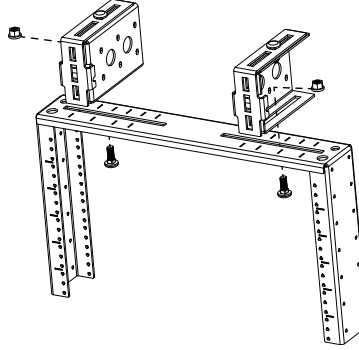
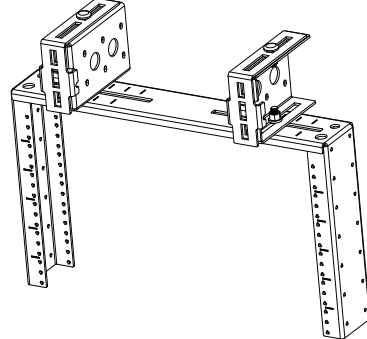
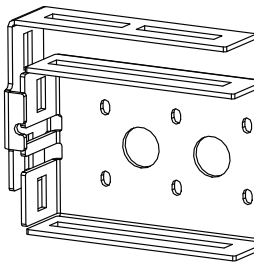
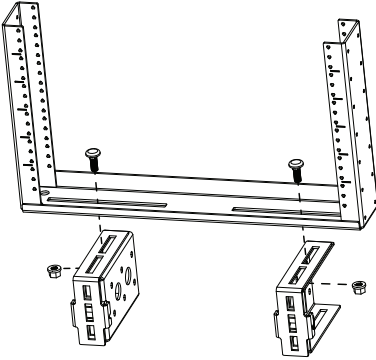
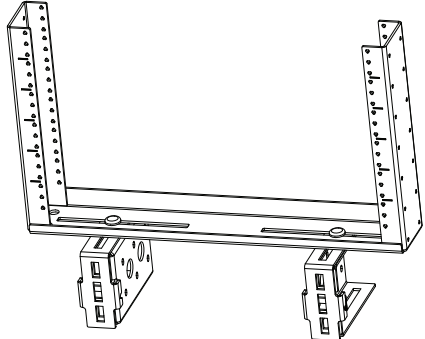
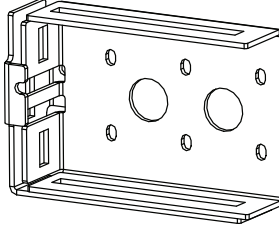
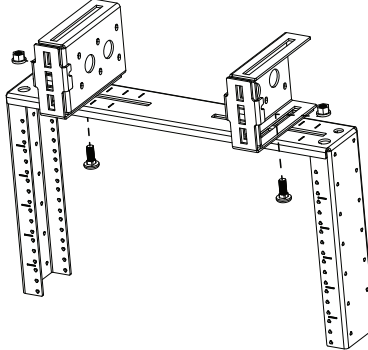
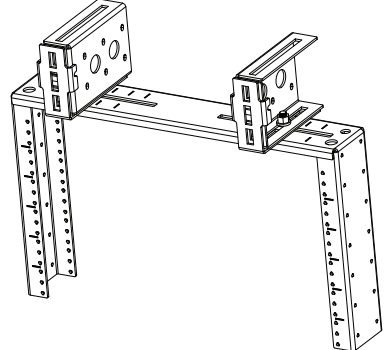
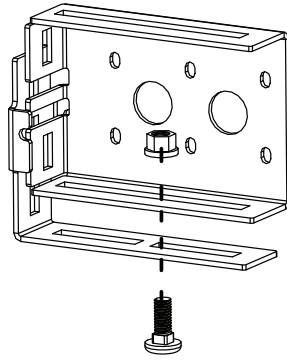
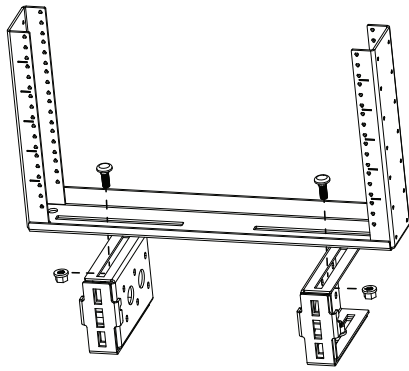
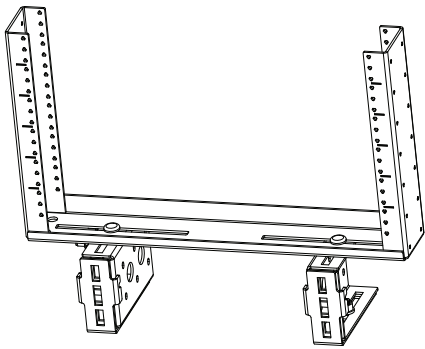
<p style="text-align: center;">Mount PZLRB2U/4U/6U</p>  <p>Side Mount- Below Bracket Down</p>	<p style="text-align: center;">Special Instructions</p> <ol style="list-style-type: none"> 1. Position mounting brackets as shown in section V using the number '1' configuration. 2. After mounting the assembly, adjust all brackets to proper positions and secure it to the ladder rack using carriage bolts/nuts.
 <p>Side Mount- Above Bracket Down</p>	<ol style="list-style-type: none"> 1. Position mounting brackets as shown in section V using the number '1' configuration. 2. After mounting the assembly, adjust all brackets to proper positions and secure it to the ladder rack using carriage bolts/nuts.
 <p>Side Mount- Below Bracket Up</p>	<ol style="list-style-type: none"> 1. Position mounting brackets as shown in section V using the number '1' configuration. 2. After mounting the assembly, adjust all brackets to proper positions and secure it to the ladder rack using carriage bolts/nuts.
 <p>Side Mount- Above Bracket Up</p>	<ol style="list-style-type: none"> 1. Position mounting brackets as shown in section V using the number '1' configuration. 2. After mounting the assembly, adjust all brackets to proper positions and secure it to the ladder rack using carriage bolts/nuts.

I. Mount on Ladder Rack

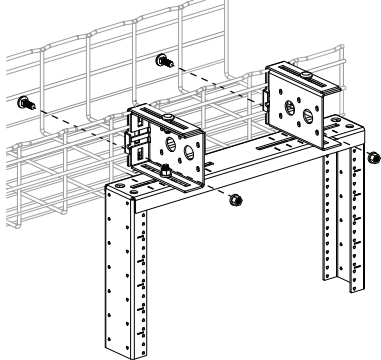
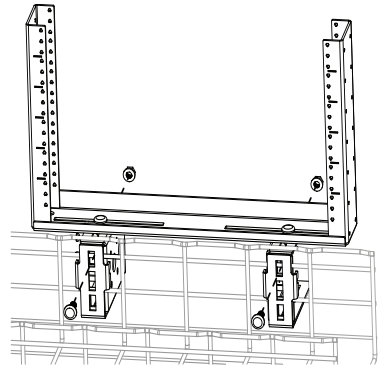
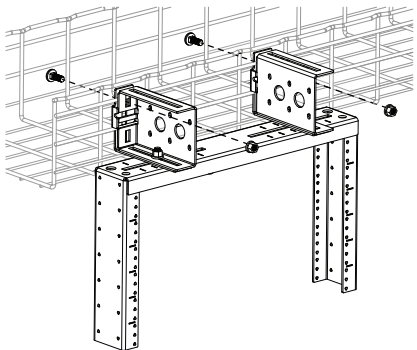
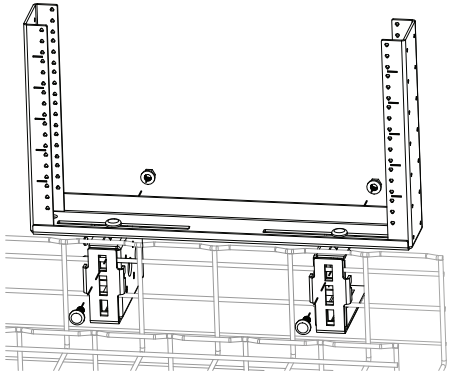
Ladder Rack		Align Mount Brackets	Position Mounting Brackets	Assemble PZLRB2U/4U/6U
BOTTOM MOUNT	PARALLEL			
	PERPENDICULAR			

Mount PZLRB2U/4U/6U	Special Instructions
<p>Bottom Mount-Parallel</p> 	<ol style="list-style-type: none"> 1. Position mounting brackets as shown in section V using the '2' or '3' configuration. While positioning the brackets, only tighten the brackets on one side of the main bracket and only finger-tighten the other set of brackets. Once assembled mount the fully tightened side to one of the rungs. Slide the other bracket (which was finger-tightened) such that it locks into position onto an adjacent center rung. 2. After mounting the assembly, adjust all brackets to proper positions and secure it to the ladder rack using carriage bolts/nuts.
<p>Bottom Mount-Perpendicular</p> 	<ol style="list-style-type: none"> 1. Position mounting brackets as shown in section V using the '2' or '3' or '4' configuration. 2. After mounting the assembly, adjust all brackets to proper positions and secure it to the ladder rack using carriage bolts/nuts.

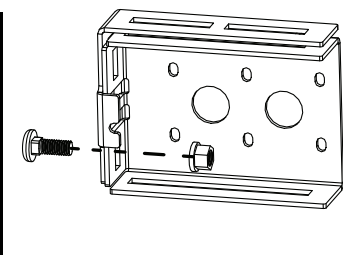
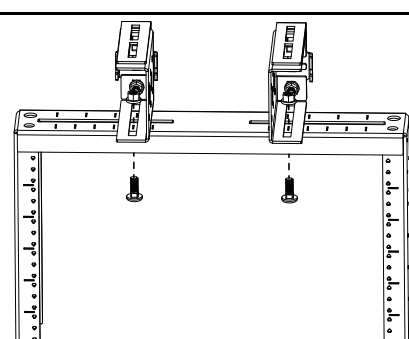
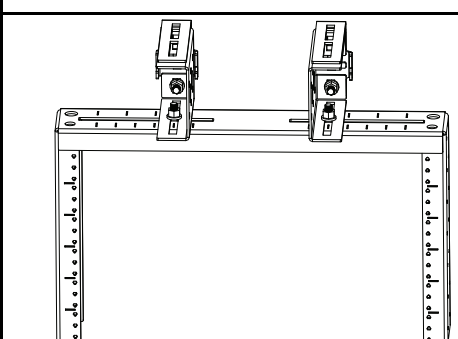
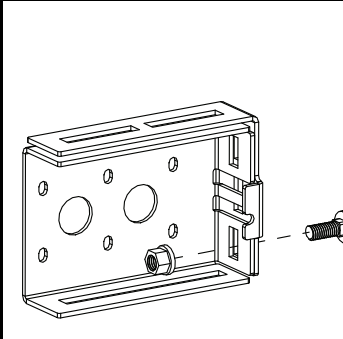
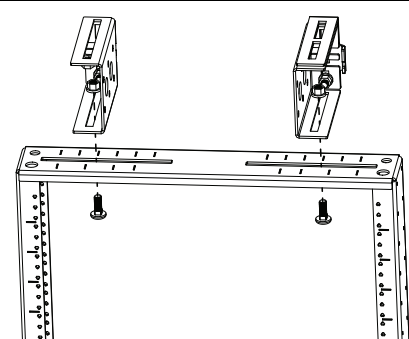
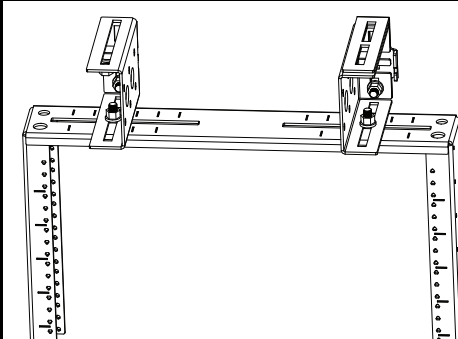
II. Mount on Cable Tray

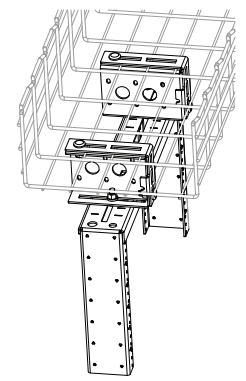
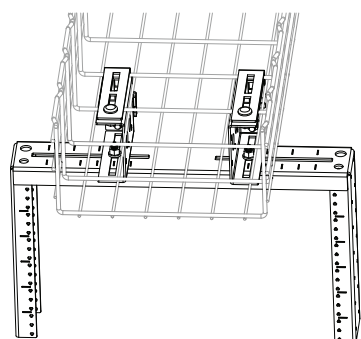
Cable Tray		Align Mount Brackets	Position Mounting Brackets	Assemble PZLRB2U/4U/6U
SIDE MOUNT (bracket down)	BELOW			
	ABOVE			
SIDE MOUNT (bracket up)	BELOW			
	ABOVE			

II. Mount on Cable Tray

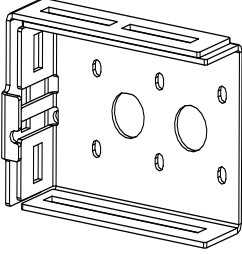
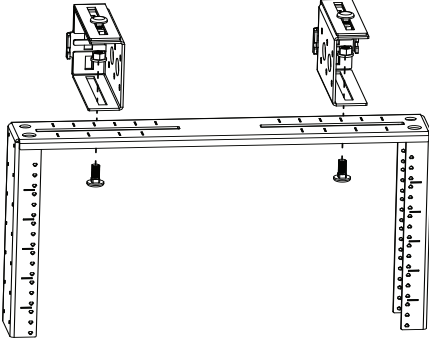
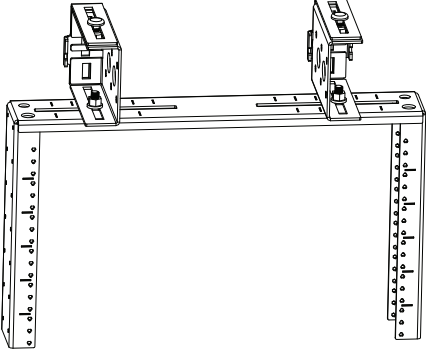
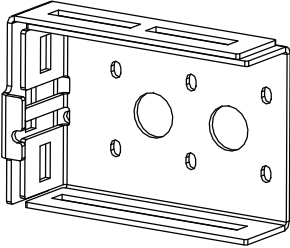
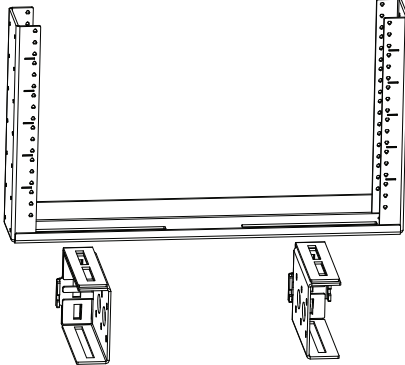
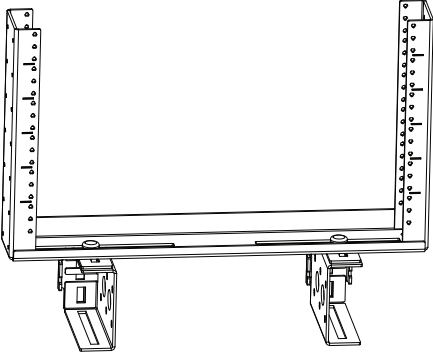
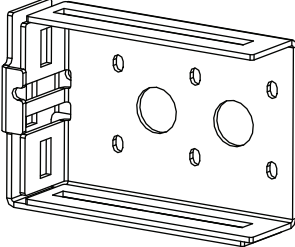
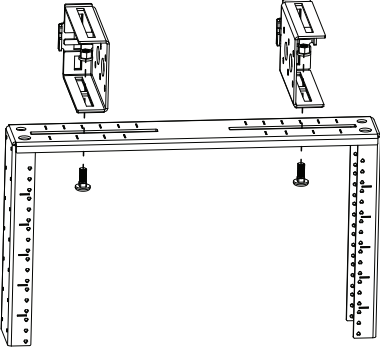
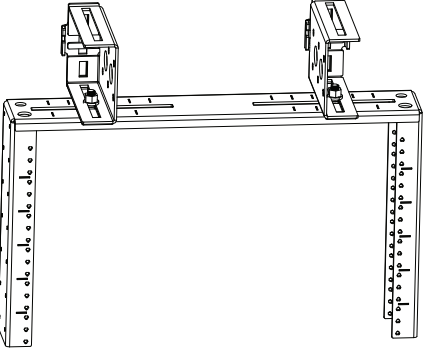
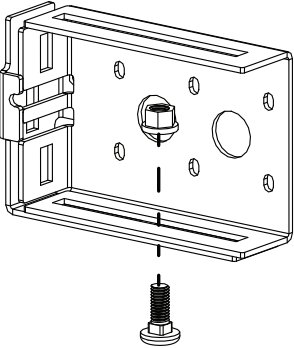
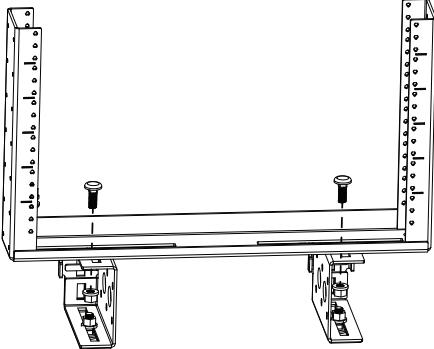
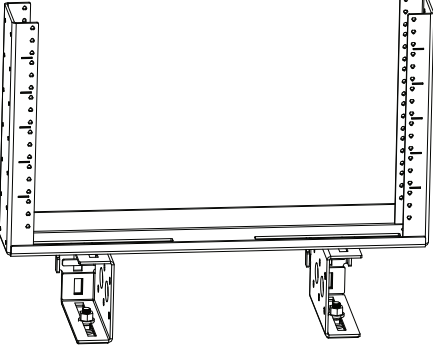
Mount PZLRB2U/4U/6U	Special Instructions
<p>Side Mount-Below Bracket Down</p> 	<ol style="list-style-type: none"> 1. Position mounting brackets as shown in section V using the number '1' configuration. 2. To mount the assembly onto the cable tray sidewall, rotate assembly so that the L-shaped bracket flanges mount between the 2nd and 3rd wires from the top of the sidewall. 3. After mounting the assembly, adjust all brackets to proper positions and secure it to the cable tray using carriage bolts/nuts.
<p>Side Mount-Above Bracket Down</p> 	<ol style="list-style-type: none"> 1. Position mounting brackets as shown in section V using the number '1' configuration. 2. To mount the assembly onto the cable tray sidewall, rotate assembly so that the L-shaped bracket flanges mount between the 2nd and 3rd wires from the top of the sidewall. 3. After mounting the assembly, adjust all brackets to proper positions and secure it to the cable tray using carriage bolts/nuts.
<p>Side Mount-Below Bracket Up</p> 	<ol style="list-style-type: none"> 1. Position mounting brackets as shown in section V using the number '1' configuration. 2. To mount the assembly onto the cable tray sidewall, rotate assembly so that the L-shaped bracket flanges mount between the 2nd and 3rd wires from the top of the sidewall. 3. After mounting the assembly, adjust all brackets to proper positions and secure it to the cable tray using carriage bolts/nuts.
<p>Side Mount-Above Bracket Up</p> 	<ol style="list-style-type: none"> 1. Position mounting brackets as shown in section V using the number '1' configuration. 2. To mount the assembly onto the cable tray sidewall, rotate assembly so that the L-shaped bracket flanges mount between the 2nd and 3rd wires from the top of the sidewall. 3. After mounting the assembly, adjust all brackets to proper positions and secure it to the cable tray using carriage bolts/nuts.

II. Mount on Cable Tray

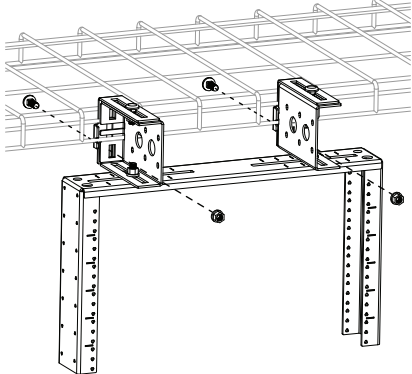
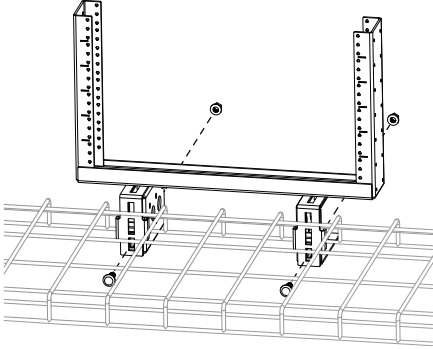
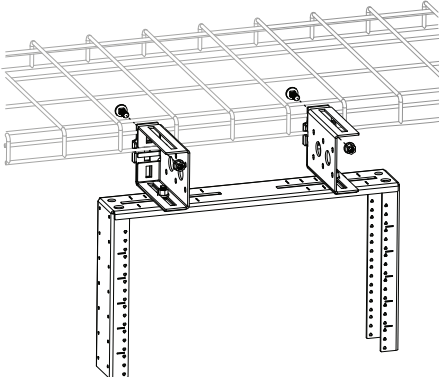
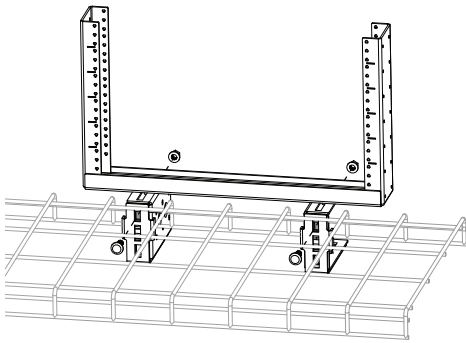
Cable Tray		Align Mount Brackets	Position Mounting Brackets	Assemble PZLRB2U/4U/6U
BOTTOM MOUNT	PARALLEL			
	PERPENDICULAR			

<p>Mount PZLRB2U/4U/6U</p> <p>Bottom Mount-Parallel</p> 	<p>Special Instructions</p> <ol style="list-style-type: none"> 1. Position mounting brackets as shown in section V using the number '1' configuration. 2. To mount the assembly onto the cable tray bottom, rotate assembly so that the L-shaped bracket top mounts to any 2 or 3 of the wires on the bottom of the cable tray. 3. After mounting the assembly, adjust all brackets to proper positions and secure it to the cable tray using carriage bolts/nuts.
<p>Bottom Mount-Perpendicular</p> 	<ol style="list-style-type: none"> 1. Position mounting brackets as shown in section V using the number '1' configuration. 2. To mount the assembly onto the cable tray bottom, rotate assembly so that the L-shaped bracket top mounts to any 2 or 3 of the wires on the bottom of the cable tray. 3. After mounting the assembly, adjust all brackets to proper positions and secure it to the cable tray using carriage bolts/nuts.

III. Mount on *WYR-GRID*

<i>WYR-GRID</i>		Align Mount Brackets	Position Mounting Brackets	Assemble PZLRB2U/4U/6U
SIDE MOUNT (bracket down)	BELOW			
	ABOVE			
SIDE MOUNT (bracket up)	BELOW			
	ABOVE			

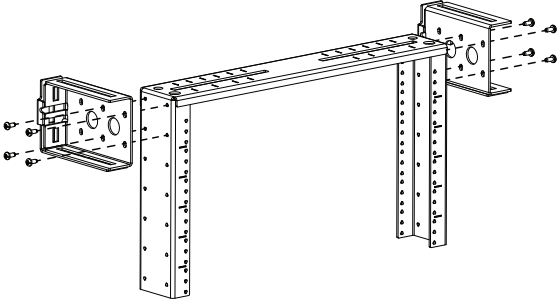
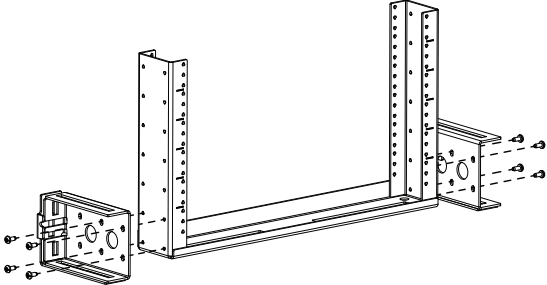
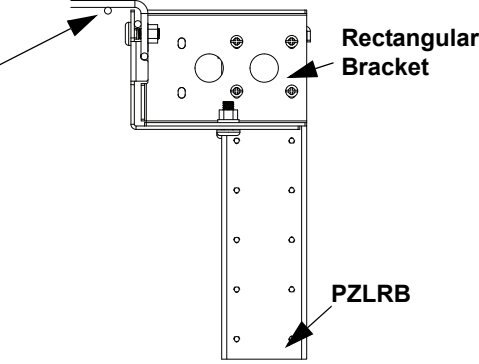
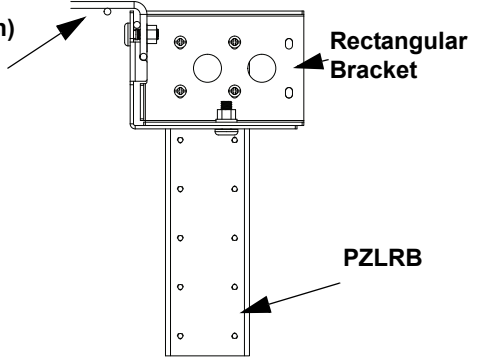
III. Mount on *WYR-GRID*

Mount PZLRB2U/4U/6U	Special Instructions
<p>Side Mount- Below Bracket Down</p> 	<ol style="list-style-type: none"> 1. Position mounting brackets as shown in section V using the number '1' configuration. 2. Locate L-shaped bracket top through corner wires. Locate L-shaped bracket flange notch on the lower sidewall wire. Assemble main and rectangular brackets to L-shaped bracket. 3. After mounting the assembly, adjust all brackets to proper positions and secure it to the <i>WYR-GRID</i> using carriage bolts/nuts.
<p>Side Mount- Above Bracket Down</p> 	<ol style="list-style-type: none"> 1. Locate L-shaped bracket top through corner wires. Locate L-shaped bracket flange notch on the lower sidewall wire. Assemble main and rectangular brackets to L-shaped bracket. 2. Position mounting brackets as shown in section V using the number '1' configuration. 3. Adjust all brackets to proper positions and secure it to the <i>WYR-GRID</i> using carriage bolts/nuts.
<p>Side Mount- Below Bracket Up</p> 	<ol style="list-style-type: none"> 1. Position mounting brackets as shown in section V using the number '1' configuration. 2. To mount the assembly onto the <i>WYR-GRID</i> sidewall, locate assembly so that the L-shaped bracket flange notch mounts on the lower sidewall wire. 3. After mounting the assembly, adjust all brackets to proper positions and secure it to the <i>WYR-GRID</i> using carriage bolts/nuts.
<p>Side Mount- Above Bracket Up</p> 	<ol style="list-style-type: none"> 1. Position mounting brackets as shown in section V using the number '1' configuration. 2. To mount the assembly onto the <i>WYR-GRID</i> sidewall, locate assembly so that the L-shaped bracket flange notch mounts on the lower sidewall wire. 3. After mounting the assembly, adjust all brackets to proper positions and secure it to the <i>WYR-GRID</i> using carriage bolts/nuts.

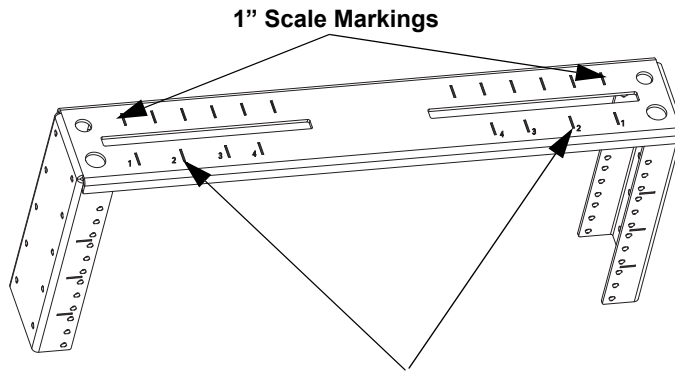
III. Mount on *WYR-GRID*

<i>WYR-GRID</i>		Align Mount Brackets	Position Mounting Brackets	Assemble PZLRB2U/4U/6U
BOTTOM MOUNT	PARALLEL			
	PERPENDICULAR			
Mount PZLRB2U/4U/6U			Special Instructions	
<p>Bottom Mount-Parallel</p>			<ol style="list-style-type: none"> 1. Position mounting brackets as shown in section V using the number '1' configuration. 2. To mount the assembly onto the <i>WYR-GRID</i> bottom, rotate assembly so that the L-shaped bracket top mounts to any 2 of the wires on the bottom of the <i>WYR-GRID</i>. 3. After mounting the assembly, adjust all brackets to proper positions and secure it to the <i>WYR-GRID</i> using carriage bolts/nuts. 	
<p>Bottom Mount-Perpendicular</p>			<ol style="list-style-type: none"> 1. Position mounting brackets as shown in section V using the number '1' configuration. 2. To mount the assembly onto the <i>WYR-GRID</i> bottom, rotate assembly so that the L-shaped bracket top mounts to any 2 of the wires on the bottom of the <i>WYR-GRID</i>. 3. After mounting the assembly, adjust all brackets to proper positions and secure it to the <i>WYR-GRID</i> using carriage bolts/nuts. 	

IV. Alternate Side Mount of PZLRB Main Bracket to Rectangular Bracket

<p>Mount PZLRB2U/4U/6U</p>	<p>Special Instructions</p>
<p>PZLRB Below</p> 	<ol style="list-style-type: none"> 1. Position Main Bracket at desired height (select RU spacing). 2. Mount Main Bracket to Rectangular Brackets using (4) screws.
<p>PZLRB Above</p> 	<ol style="list-style-type: none"> 1. Position Main Bracket at desired height (select RU spacing). 2. Mount Main Bracket to Rectangular Brackets using (4) screws.
<p>WYR-GRID (shown) Ladder Rack Cable Tray</p> <p>Rectangular Bracket</p> <p>Outboard Mounting</p> <p>PZLRB</p> 	<ol style="list-style-type: none"> 1. Position Main Bracket at desired depth (inboard or outboard). 2. Mount Main Bracket to Rectangular Brackets using (4) screws.
<p>WYR-GRID (shown) Ladder Rack Cable Tray</p> <p>Rectangular Bracket</p> <p>Inboard Mounting</p> <p>PZLRB</p> 	<ol style="list-style-type: none"> 1. Position Main Bracket at desired depth (inboard or outboard). 2. Mount Main Bracket to Rectangular Brackets using (4) screws.

V. Positioning of Mounting Brackets



Recommended Mounting Bracket Positions

To use the markings, place the outsides of both the rectangular brackets on the recommended markings. Fig. 1 shows how to use marking numbered '2'. Fig 2 shows another example in which the smaller brackets are placed using marking numbered '3'. Spacing '4' is the minimum recommended spacing for all cases. The one inch scale markings can also be used if preferred or if using non-standard ladder racks/cable trays. To use scale markings place rectangular brackets equal distance apart from the center using the scale as a reference.

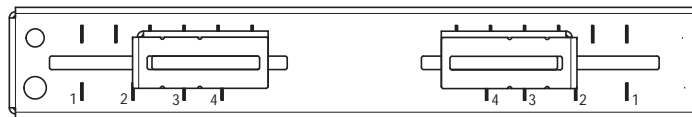


Fig. 1

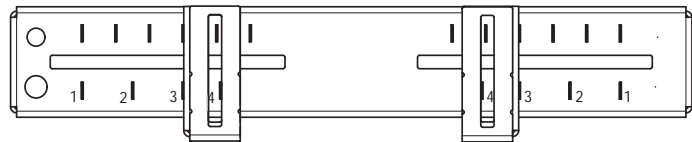
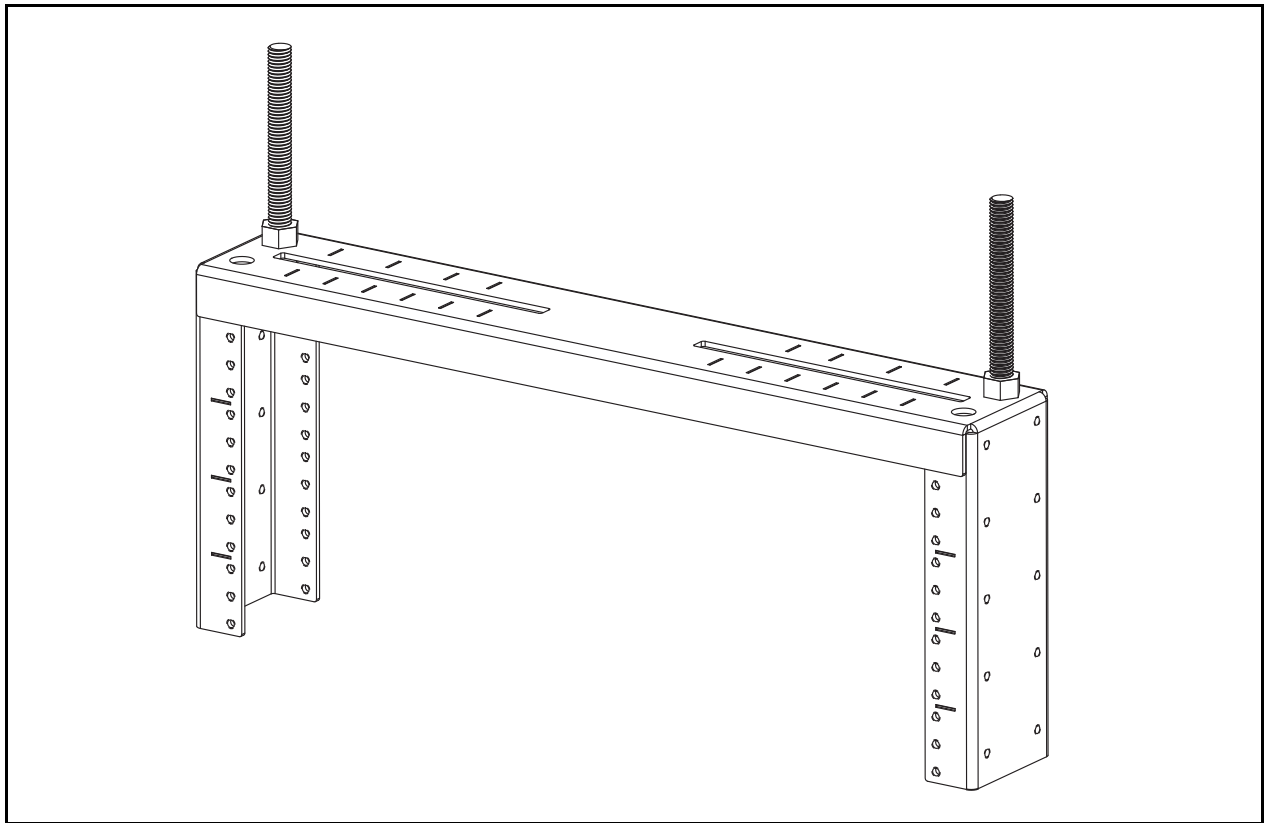
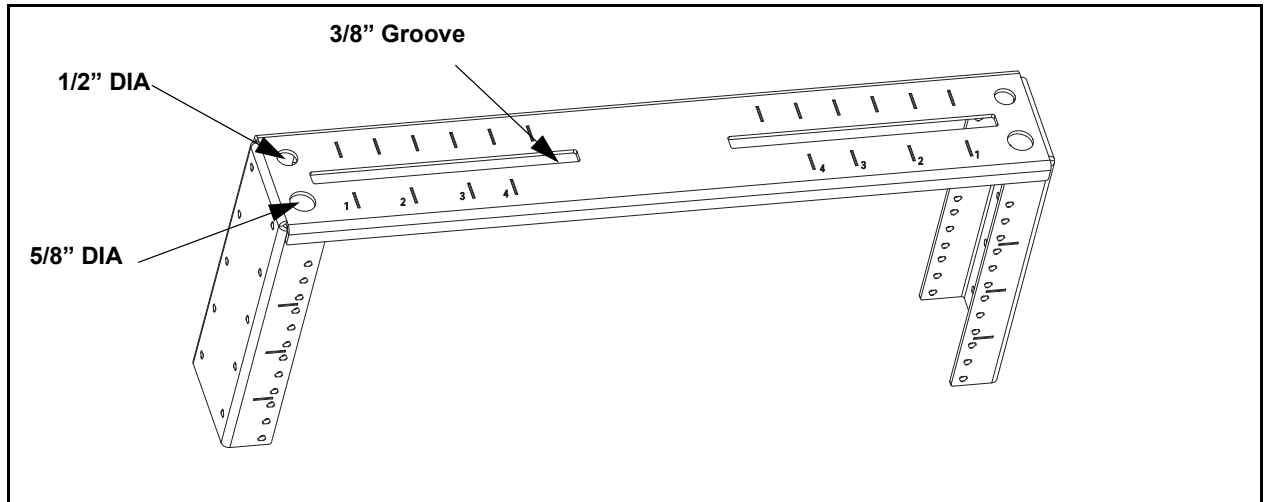


Fig. 2

ORIENTATION	RECOMMENDED MARKINGS
Below the side rail of Ladder Rack	1
Above the side rail of Ladder Rack	1
Below the Ladder Rack using one rung as support	2- for ladder racks wider than 14" 3- for ladder racks wider than 11" 4- for ladder racks less than 8" wide
Below the Ladder Rack using two rungs as support	2- for center rungs 12" apart 3- for center rungs 9" apart
On the side of Cable Tray oriented downwards	1
On the side of Cable Tray oriented upwards	1
Below Cable Tray	1
On the side of WYR-GRID oriented downwards	1
On the side of WYR-GRID oriented upwards	1
Below WYR-GRID	1

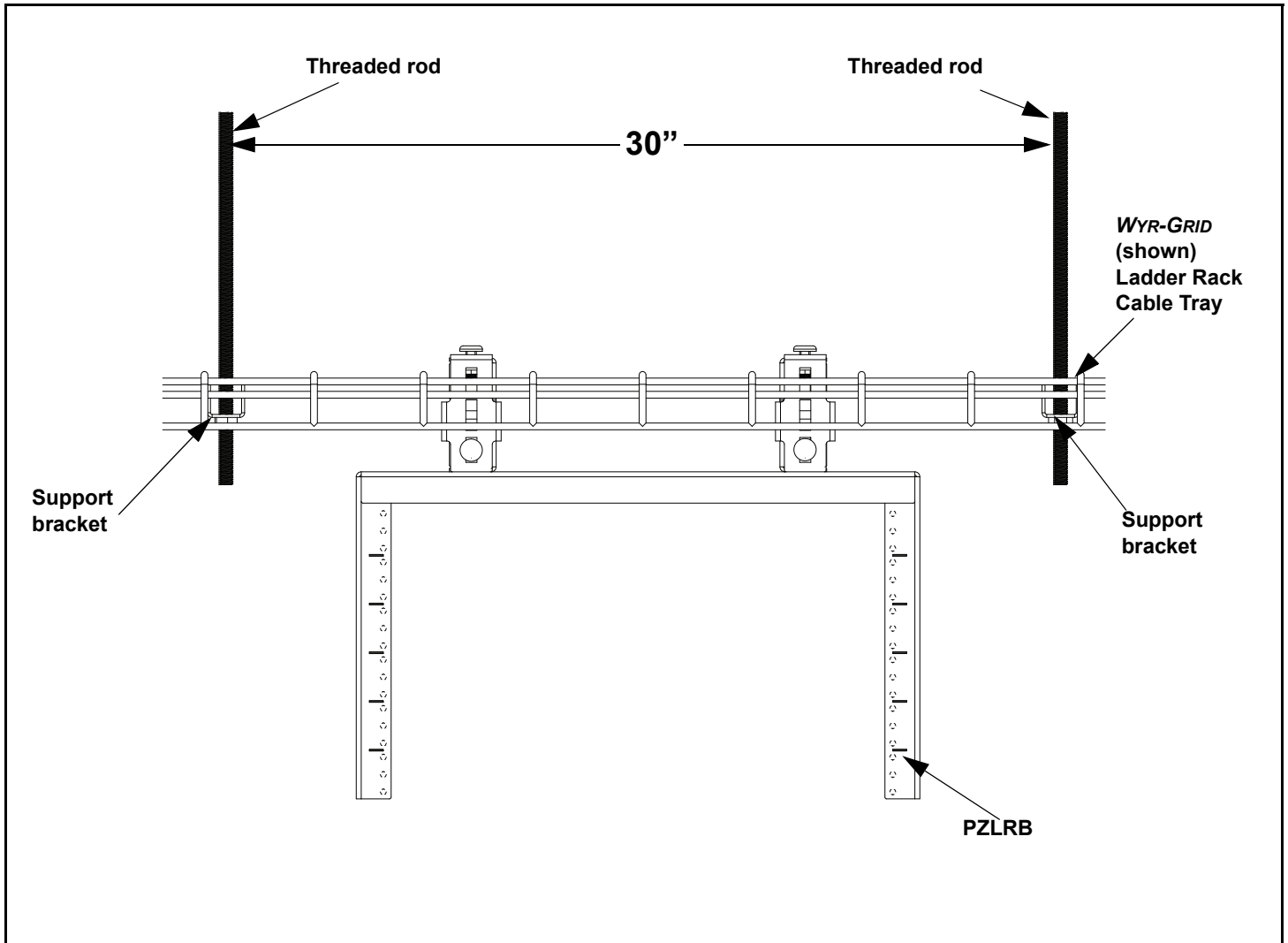
VI. Mount Using Threaded Rods

The main bracket can accommodate threaded rods of 1/2", 3/8" and 5/8" diameters. Place two threaded rods into the holes provided on top of the main bracket and secure it using 4 nuts (not provided). Note that the 3/8" rod has no specific hole for the threaded rod. It just slides in the slots and can be adjusted accordingly (Symmetrical installation is highly recommended in this case).



VII. Recommended Support Spacing

The PZLRB is to be mounted centered between supports spaced at 30" apart.



VIII. Grounding

Refer to common bonding network jumper kit. Part Number: RGCBNJ660P22