

TIMETRAX™ SYNC RF ETHERNET TRANSMITTER

Installation Instructions 9T1WI, S9DWXSLAUB

SIMPLE ⚙️ SMART™

OVERVIEW

Thank you for choosing a TimeTrax™ Sync RF Wireless Clock System. The TimeTrax™ RF Wireless Clock System receives dependable, accurate time from the TimeTrax™ Sync RF Wireless Transmitter.

TimeTrax™ Sync Wireless RF Transmitters capture main time source from Network Time Protocol (NTP) server or GPS to ensure a reliable time signal with no FCC license required. The transmitters use dependable frequency-hopping technology to continuously broadcast a time signal to an unlimited number of TimeTrax™ Sync RF Wireless analog or digital wall clocks with no interference.¹ Each transmitter supports up to 250,000 sq. ft. of signal coverage. If additional signal coverage is required, an unlimited number of secondary transmitters may be added (part # S9DSXOLAUB or 42337 sold separately).

The transmitters may also be used to transmit synchronization signals from a designated time source to TimeTrax™ Sync Bell/Tone System or TimeTrax™ Time Clock terminals.

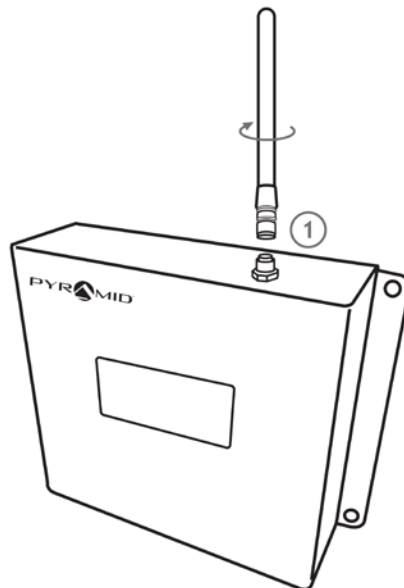
For more information, visit pyramidthimesystems.com or call our technical support team at 888.479.7264 during regular business hours: 8am-5pm EST, M-F.

¹Dependent upon facility construction & contents.

ANTENNA INSTALLATION

- 1 Remove contents from box and attach supplied antenna to top of transmitter by rotating in clockwise direction.

IMPORTANT: Using anything other than included Power Supply or included Antenna in a vertical orientation may be unsafe, cause improper operation, and violates FCC regulations.



TIMETRAX™ SYNC RF ETHERNET TRANSMITTER

Installation Instructions 9T1WI, S9DWXSLAUB

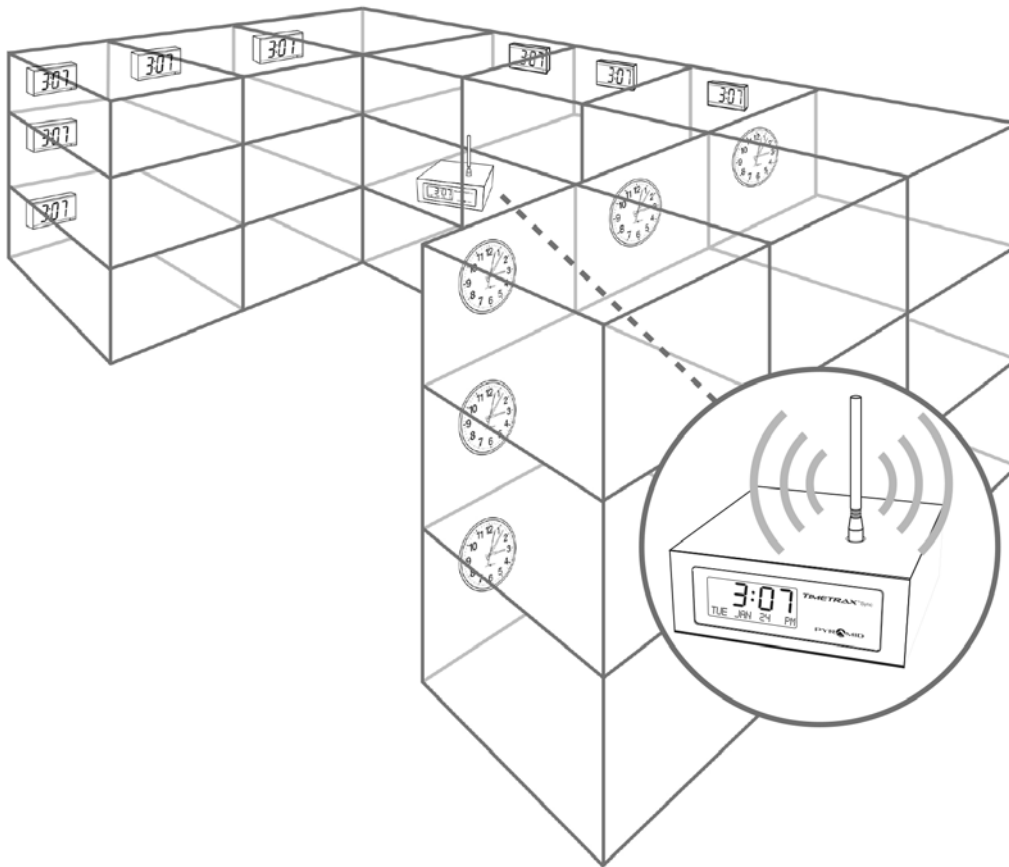
SIMPLE : SMART™

LOCATION

Choose appropriate location to install transmitter. If using a GPS Time Source, allow 50 ft cable reach. If facility is 250,000 sq ft or less, locate the transmitter centrally or in the case of multi-story facilities, locate the transmitter on the middle floor (see diagram below).

If facility is more than 250,000 sq ft, please contact customer support at 888.479.7264, 8am-5pmEST, M-F to determine if secondary transmitters are required.

IMPORTANT: Transmitter must be located indoors in a dry location. Do not install transmitter where people regularly come within 8in (20cm).

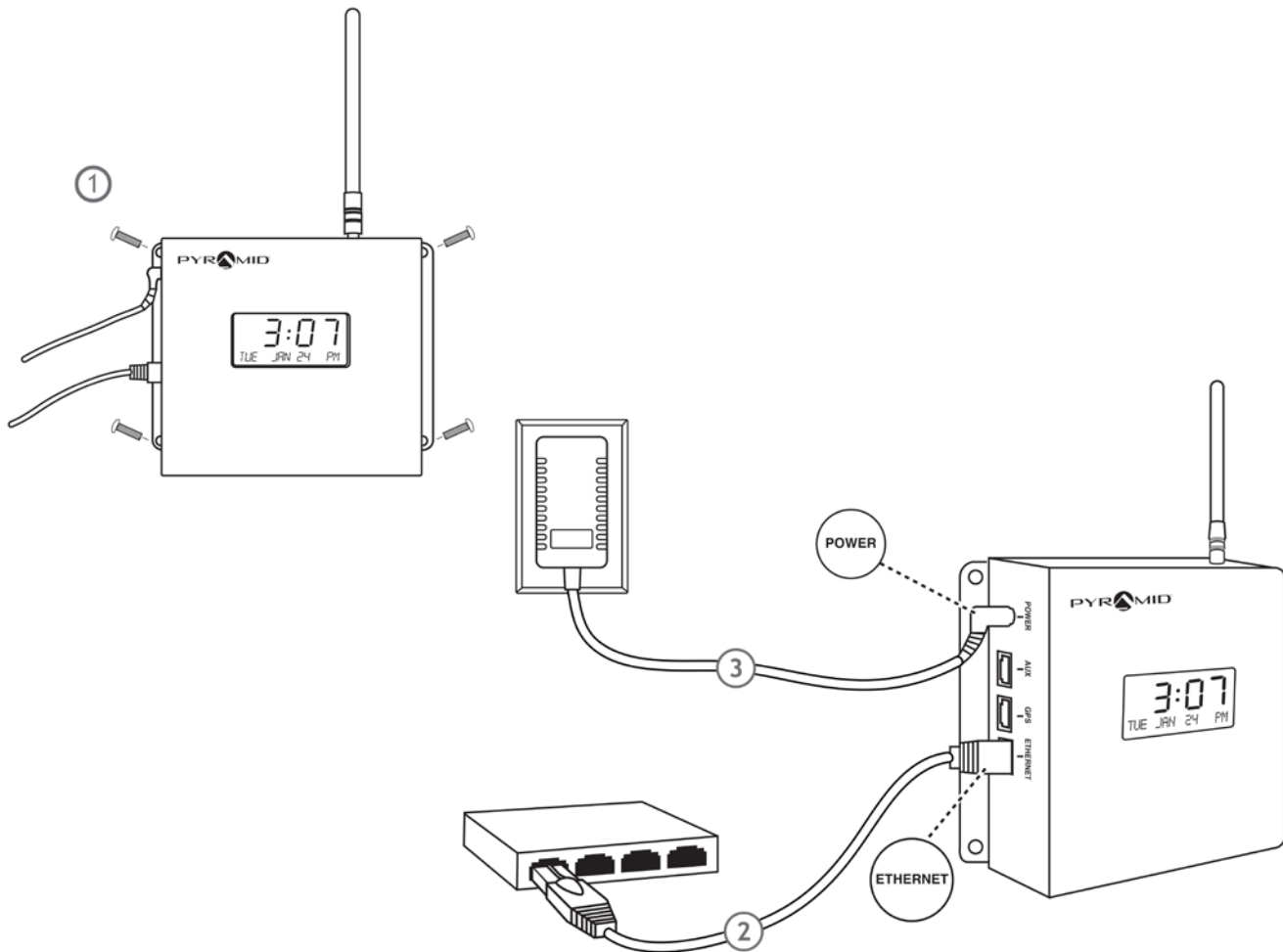


TIMETRAX™ SYNC RF ETHERNET TRANSMITTER

Installation Instructions 9T1WI, S9DWXSLAUB

INSTALLATION

- ① Place or mount transmitter so antenna is positioned vertically. This is required for optimum performance.
- ② Connect CAT-5E Ethernet cable (sold separately) into ETHERNET port located on transmitter. Connect free end of CT-5E cable into Ethernet switch or computer.
- ③ Connect power cable into POWER port on transmitter. Plug power supply into standard wall outlet.
- ④ If GPS Receiver (part #42328 sold separately) is used as time standard, install and connect to GPS port on transmitter.
- ⑤ Install TimeTrax™ Sync software. Configure time zone settings according to software instructions.
- ⑥ If using TimeTrax™ Sync RF Wireless Secondary Transmitter (part# S9DSXOLAUB or 42337), connect power supply (supplied) to secondary transmitter and plug into standard wall outlet. TimeTrax™ Sync software will discover the device and assign global settings.



TIMETRAX™ SYNC RF ETHERNET TRANSMITTER

Installation Instructions 9T1WI, S9DWXSLAUB

SIMPLE : SMART™

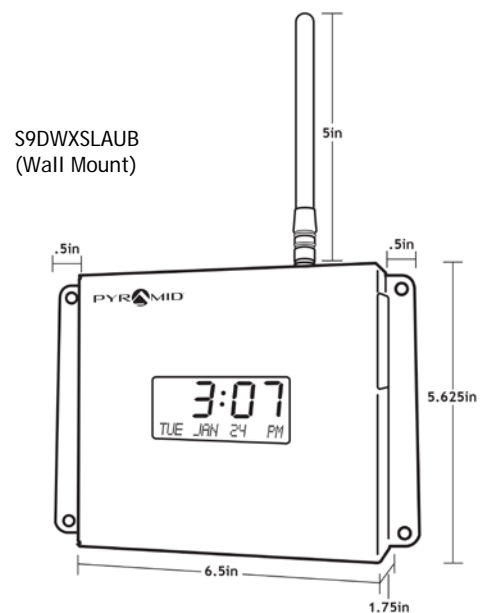
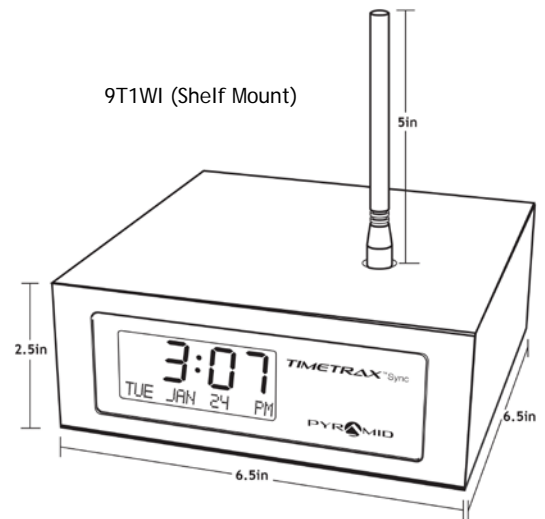
SPECIFICATIONS

| | |
|-------------------------------------|--|
| Time Source | NTP Server or GPS Signal Receiver |
| Frequency Range | 902-928MHz (128 channels) |
| Transmission Coverage | Approx. 250,000 sq ft ¹ |
| Power Input | 120/240VAC <4 Watt |
| RF Power Output | 12 VDC, 1.5 Amp. 1 Watt (6ft cord, 1.83m) |
| AUX Serial Port | Supplies BCD signal for 5024 4-Zone Bell Ringer or 5300 Single Zone Bell Ringer |
| Operating Temp | -30°F (-34.44°C) to 130°F (54.44°C) |
| Warranty | 3-Year manufacturer's limited warranty |
| Guarantee | 30-Day money back guarantee |
| Compliance | FCC part 15 section 15.247 FCC ID#WC7H9ALG1 |
| Includes | Transmitter, TimeTrax™ Sync Software (SASDLCWDXX), 20 ft CAT-5E Cable, Transformer & Quick Start Guide |
| SIZE 9T1WI (Shelf Mount) | |
| Dimensions | 6.5inW x 2.5inH x 6.5inD (16.5cm x 6.4cm x 16.5cm) |
| Antenna Length | 5in (12.7cm) |
| Weight | 2.10lbs (.952kg) |
| Shipping Weight | 3.9lbs (1.76kg) |
| SIZE S9DWXSLAUG (Wall Mount) | |
| Dimensions | 6.5inW (16.5cm) x 5.625inH (12.85cm) x 1.75inD (4.44cm) |
| Antenna Length | 5in (12.7cm) |
| Weight | 1.6lbs (.725kg) |
| Shipping Weight | 3.35lbs (1.519kg) |

ACCESSORIES

| PART# | DESCRIPTION |
|------------|---|
| S9DSXOLAUB | Ethernet Wireless RF Transmitter, shelf unit (add-on transmitter) |
| 42337 | Ethernet Wireless RF Transmitter, wall unit (add-on transmitter) |
| 42328 | GPS Signal Receiver |
| 42317 | Wireless RF Transmitter Wall Rack |

See RF Wireless Analog or Digital Clock Smart Sheets



WARRANTY

3-YEAR LIMITED WARRANTY

Pyramid warrants its Synchronized Clock System to the original user against defective material or workmanship for a period of 3 years from date of purchase.

The manufacturer's responsibility under this Warranty is limited to repair or replacement of defective part or parts. Pyramid reserves the right to determine whether parts failed because of defective material, workmanship, or other causes. Failure caused by accident, alteration, misuse or improper packaging of returned unit is not covered by this Warranty. Any repair to equipment other than by Pyramid voids the Warranty. Users in territories other than USA, Canada, South America & Australia should contact the Dealer from whom the unit was purchased. The rights under this Warranty are limited to original user and may not be transferred to subsequent users.

If Customer Support cannot troubleshoot your problem over the phone, we will replace your unit free of charge if it is within warranty period. Please contact Customer Support at 888.479.7264 between the hours of 8am-5pmEST for details.

TECHNICAL SUPPORT

Should you need to speak live to one our representatives, please call toll-free (US/Canada) at 888.479.7264 during regular business hours: 8am-5pmEST, Monday-Friday.