



LH1 Music Horn Loudspeaker 30W

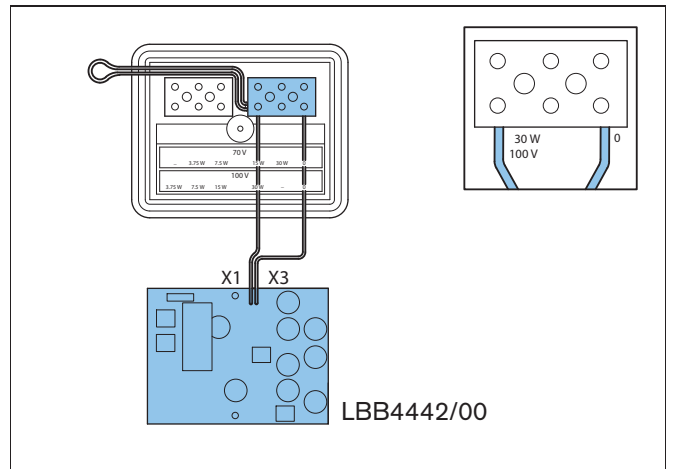
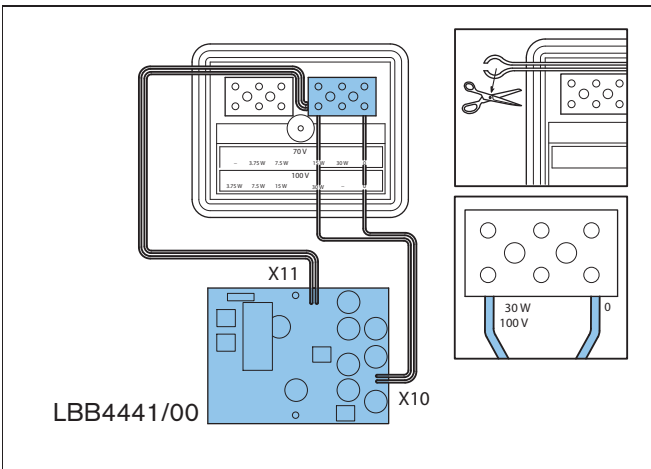
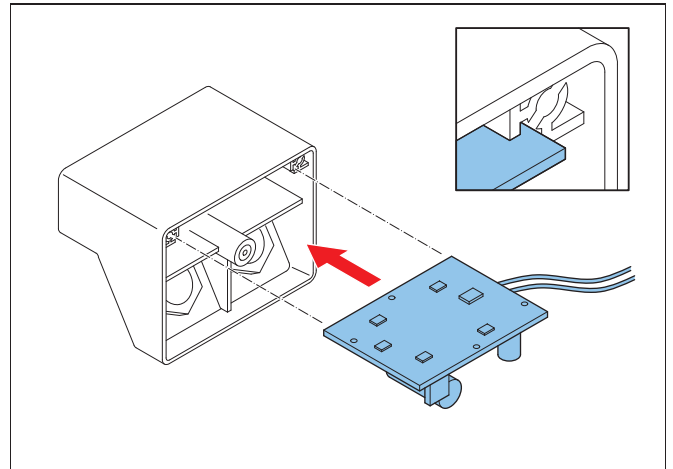
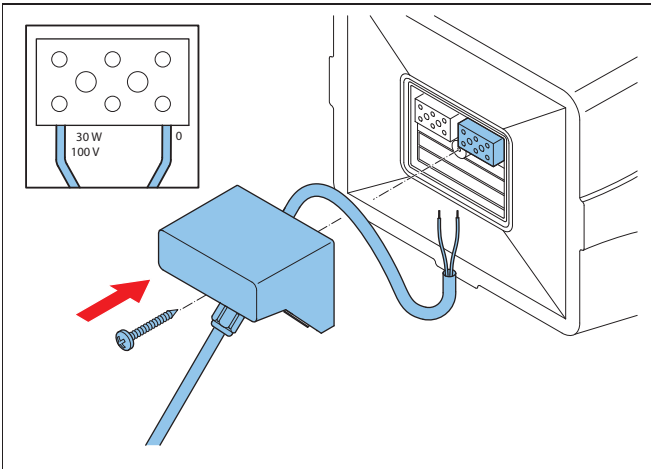
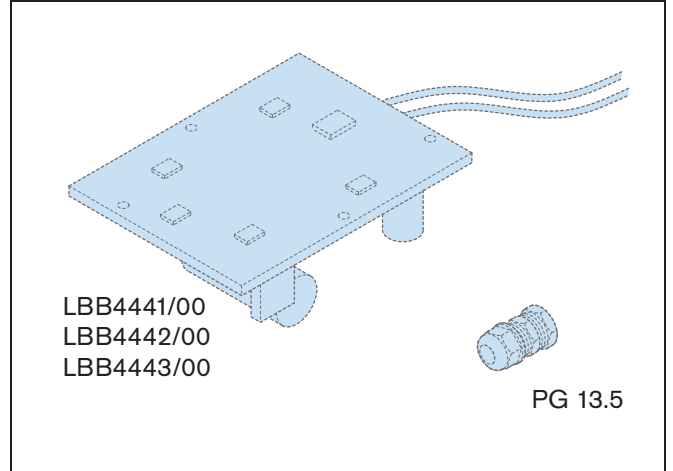
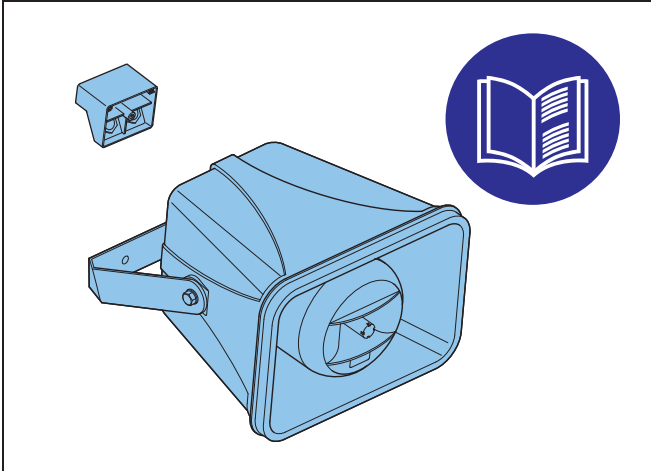
LH1-UC30E

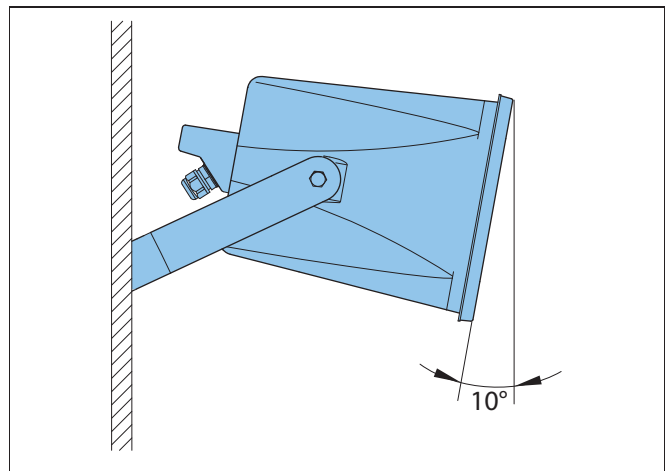
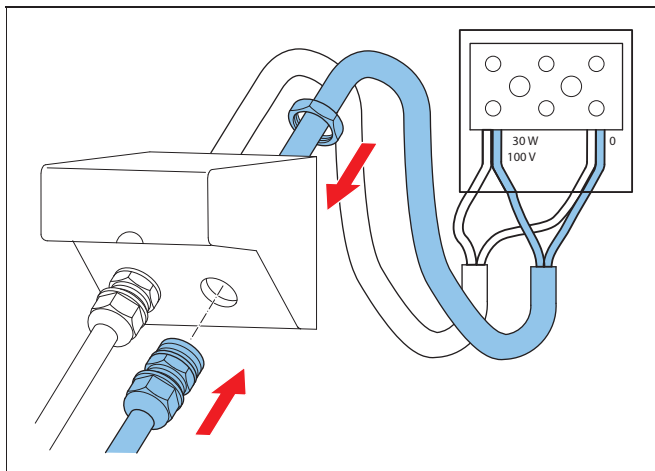
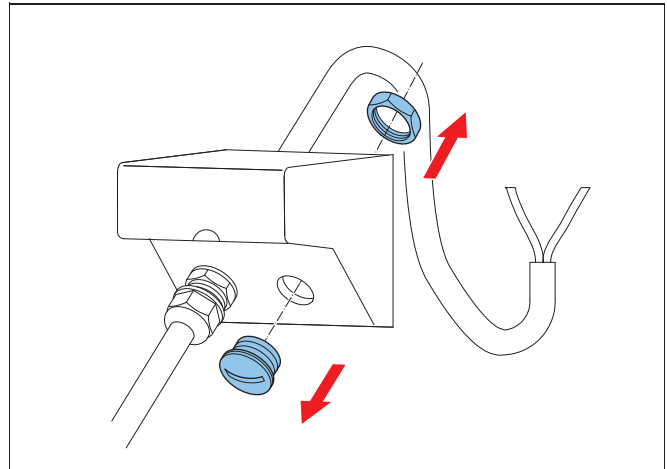
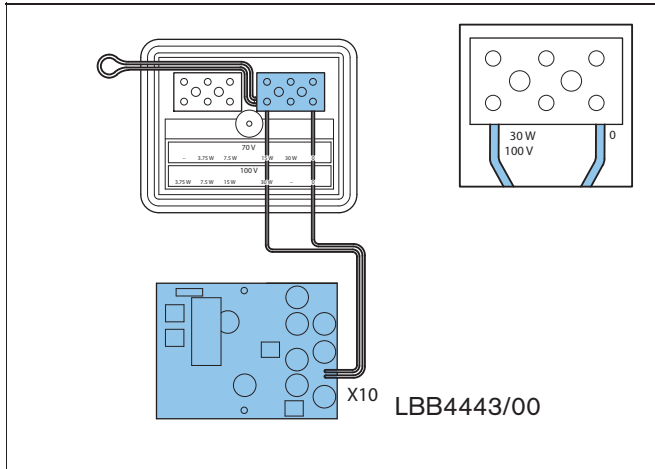


BOSCH

en Installation note

1 Installation





2 Technical data

Electrical*

Maximum power	45 W		
Rated power (PHC)	30 W		
Power tapping	30 / 15 / 7.5 / 3.75 W		
Sound pressure level at rated power / 1 W (1 kHz, 1 m)	115 / 100 dB (SPL)		
Sound pressure level at rated power / 1 W (1 kHz, 4 m)	100 / 86 dB (SPL)		
Effective frequency range (- 10 dB)	212 Hz to 20 kHz		
Opening angle at 1 kHz / 4 kHz (-6 dB)			
Horizontal	68° / 68°		
Vertical	100° / 120°		
Rated input voltage Rated impedance		70 V	100 V
	30 W	167 Ohm	333 Ohm
	15 W	333 Ohm	667 Ohm
	7.5 W	667 Ohm	1334 Ohm
	3.75 W	1334 Ohm	2668 Ohm
Connector	6-pole screw terminal		

* Technical performance data acc. to IEC 60268-5

Mechanical

Dimensions (H x W x D)	255 x 370 x 354 mm (10.04 x 14.56 x 13.93 in)
Weight	5.5 kg (12.45 lb)
Color	Light grey (RAL 7035)
Material (horn / bracket)	ABS / Aluminum
Cable diameter	6 mm to 12 mm (0.24 in to 0.47 in)

Environmental

Operating temperature	-25 °C to +55 °C (-13 °F to +131 °F)
Storage and transport temperature	-40 °C to +70 °C (-40 °F to +158 °F)
Relative humidity	<95%

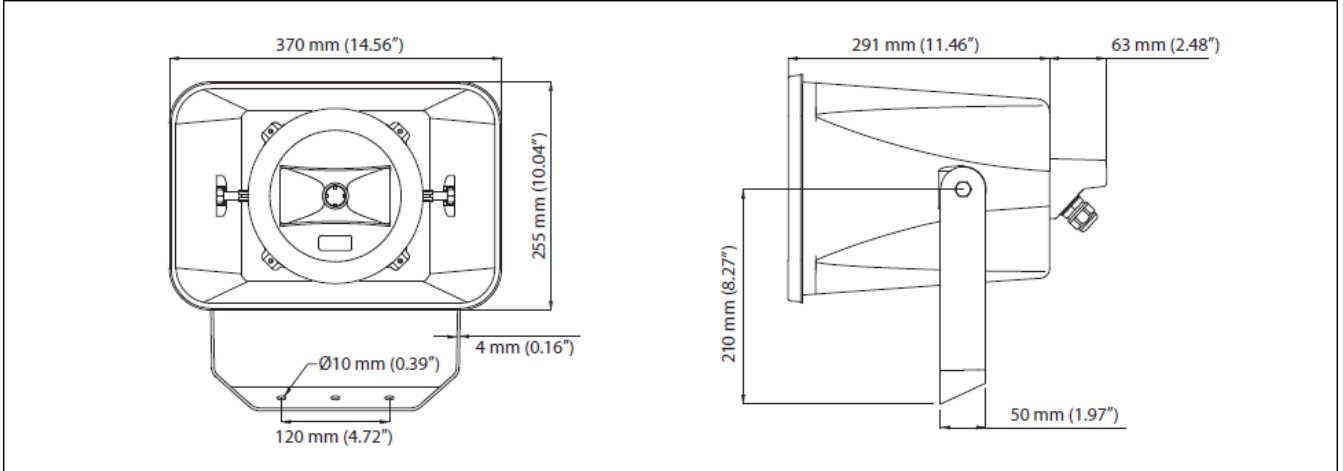
Note:

- The specification data is measured in an anechoic chamber, free field
- The reference axis is perpendicular to the center point of the front grille
- The reference plane is perpendicular to the center of the reference axis
- The horizontal plane is perpendicular to the center of the reference plane

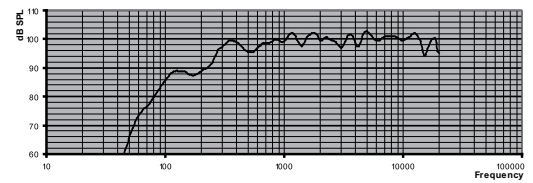
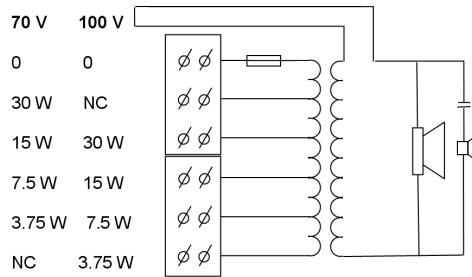
2.1 Certification and approvals

Safety	acc. to EN 60065
Water and dust protection	acc. to EN60529 IP 66
EVAC compliancy	acc. to BS 5839 part 8 / EN 60849
UL compliancy	acc. to UL 94 V 0
Wind-force	Bft 11
Chlorine resistance	acc. to IEC 60068/2-60

2.2 Additional technical data

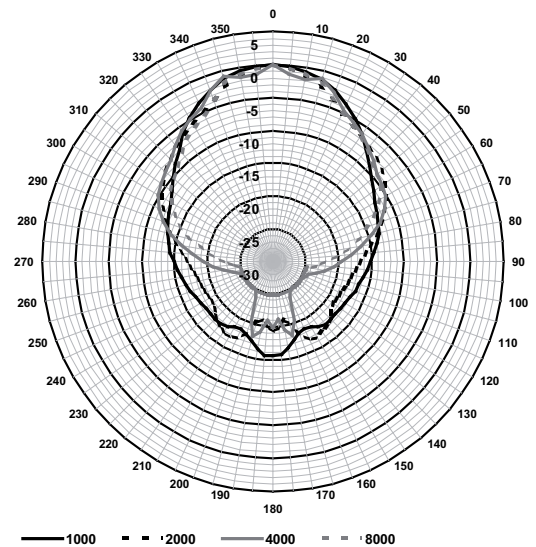
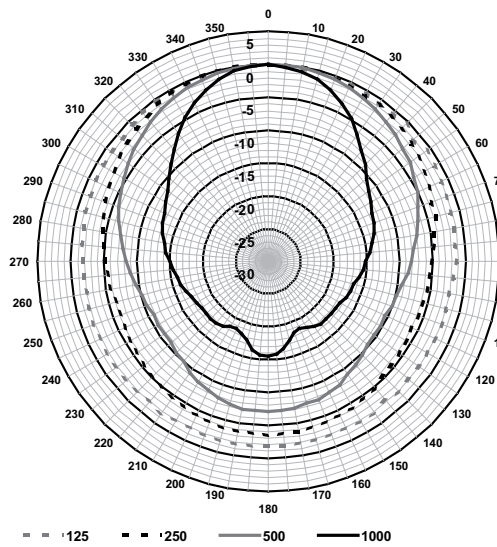


Dimensions



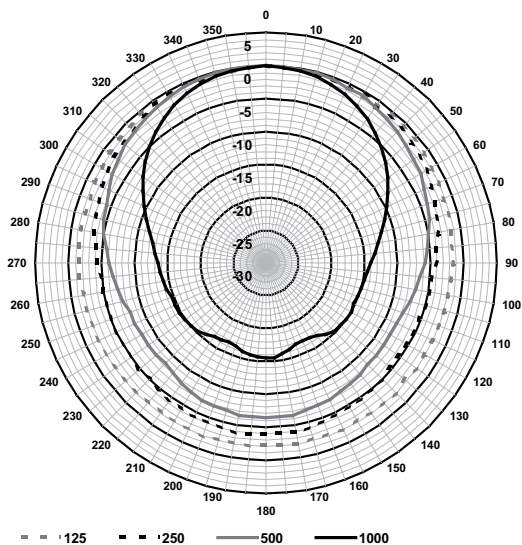
Circuit diagram

Frequency response

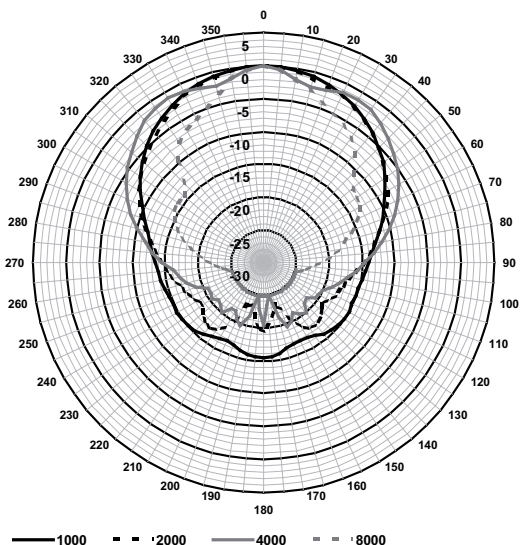


Horizontal polar diagram. Normalized at 0-degrees axis.

Horizontal polar diagram. Normalized at 0-degrees axis.



Vertical polar diagram. Normalized at 0-degrees axis.



Vertical polar diagram. Normalized at 0-degrees axis.

 1438
Bosch Security Systems BV Torenallee 49, 5617 BA Eindhoven, the Netherlands 12 1438/CPD/0252
EN 54-24:2008 Loudspeaker for voice alarm systems for fire detection and fire alarm systems for buildings Music Horn Loudspeaker 30 W LH1-UC30E Type B DoP: LP062922

CE label

Bosch Security Systems B.V.

Torenallee 49

5617 BA Eindhoven

Netherlands

www.boschsecurity.com

© Bosch Security Systems B.V., 2016