

INSTALLATION INSTRUCTIONS

L5 SERIES SHOCKMOUNT XLR MOUNT

L5-SHOC-XLR-S

THANK YOU

Thank you for purchasing the L5 Series Shockmount XLR Mount. Please read these instructions thoroughly before installing/operating this product. Refer to I-00627 L5 Series AV Ready Lectern Instruction Sheet for additional information.

TOOLS REQUIRED

Phillips Screwdriver
5/16" Socket Wrench

HARDWARE KIT INCLUDES

QTY	DESCRIPTION
4	6-32 Flange Nuts
4	6-32 x 1/2" Pan Head Phillips Screws

INSTALLATION

- 1) Remove rear panel. **(FIGURE A)**
- 2) For ease of installation, remove (4) screws securing accessory panel to frame and remove from frame. **(FIGURE A)**
- 3) If necessary, refer to manufacturer's instructions for additional hookup and operation details.

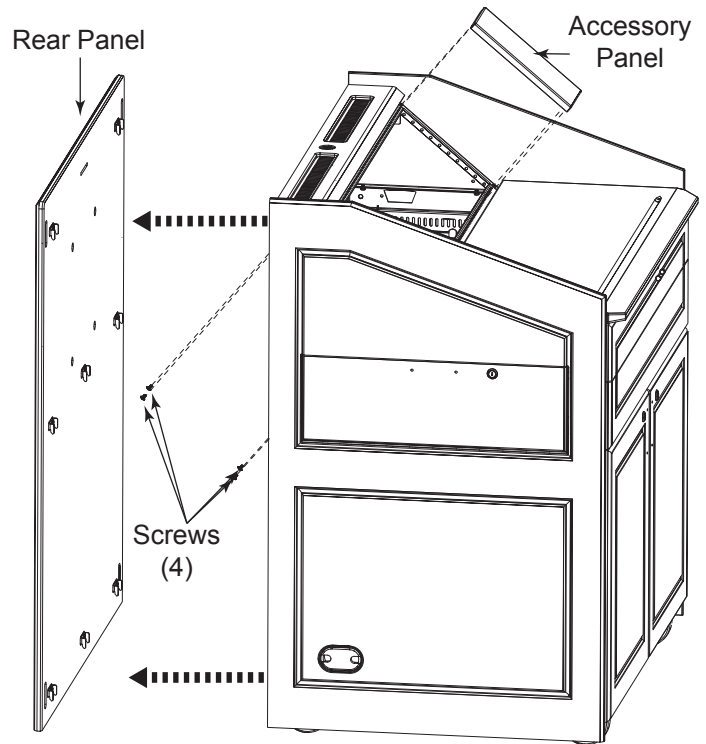


FIGURE A

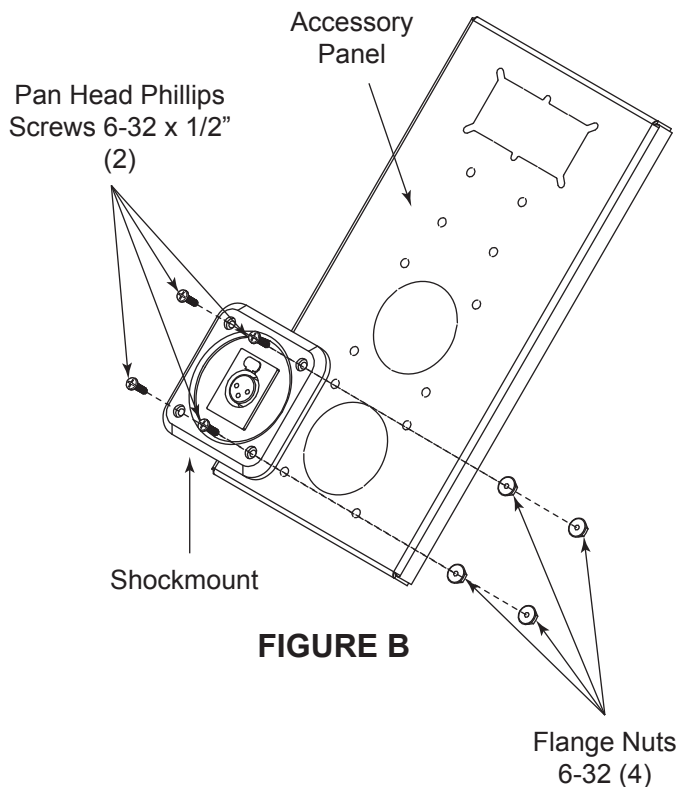


FIGURE B

- 4) Remove knockouts in accessory panel as needed.
- 5) Install shockmount using (4) 6-32 flange nuts and (6) 6-32x1/2" pan head Phillips screws. **(FIGURE B)**
- 6) Re-install accessory panel in reverse manner.
- 7) Re-install rear panel.



Middle Atlantic Products

what great systems are built on™

middleatlantic.com ■ 800.266.7225

WARRANTY

Middle Atlantic Products (the "Company") warrants the L5 Series Shockmount XLR Mount L5-SHOC-XLR-S to be free from defects in material or workmanship for a period of (3) years from date of shipment by the Company.

The Company's entire liability to the purchaser, and the purchaser's (or any other party's) sole and exclusive remedy, under this warranty shall be limited, at the Company's option, to either (a) return of and refund of the price paid for, or (b) repair or replacement at the Company's factory of the products purchased, or any part or parts thereof, which the Company has determined to be defective after inspection thereof at the Company's factory.

This warranty does not cover damage due to acts of God, accident, misuse, abuse or negligence by parties other than the Company, or any modification or alteration of the products. In addition, this warranty does not cover damage due to improper handling, assembly, installation or maintenance.

THIS WARRANTY IS IN LIEU OF ALL OTHER WARRANTIES OF ANY KIND, EITHER EXPRESSED OR IMPLIED, INCLUDING, BUT NOT LIMITED TO, IMPLIED WARRANTIES OF MERCHANTABILITY AND FITNESS FOR A PARTICULAR PURPOSE.

TO THE MAXIMUM EXTENT PERMITTED BY APPLICABLE LAW, IN NO EVENT SHALL THE COMPANY BE LIABLE FOR ANY SPECIAL, INCIDENTAL, INDIRECT, OR CONSEQUENTIAL DAMAGES WHATSOEVER (INCLUDING, WITHOUT LIMITATION, DAMAGES FOR LOSS OF BUSINESS PROFITS, BUSINESS INTERRUPTION OR ANY OTHER PECUNIARY LOSS) ARISING OUT OF THE USE OF THE PRODUCTS PURCHASED, EVEN IF THE COMPANY HAS BEEN ADVISED OF THE POSSIBILITY OF SUCH DAMAGES. THE COMPANY'S LIABILITY TO THE PURCHASER (OR ANY OTHER PARTY) HEREUNDER, IF ANY, SHALL IN NO EVENT EXCEED THE PURCHASE PRICE OF THE PRODUCTS PAID TO THE COMPANY.

Corporate Headquarters

Corporate Voice 973-839-1011 - Fax 973-839-1976 / International Voice +1 973-839-8821 - Fax +1 973-839-4982
middleatlantic.com - info@middleatlantic.com

Middle Atlantic Canada

Voice 613-836-2501 - Fax 613-836-2690 / middleatlantic.ca - customerservicecanada@middleatlantic.ca

Factory Distribution

USA: NJ - CA - IL Canada: ON - BC

At Middle Atlantic Products we are always listening. Your comments are welcome.

Middle Atlantic Products is an ISO 9001 and ISO 14001 Registered Company.