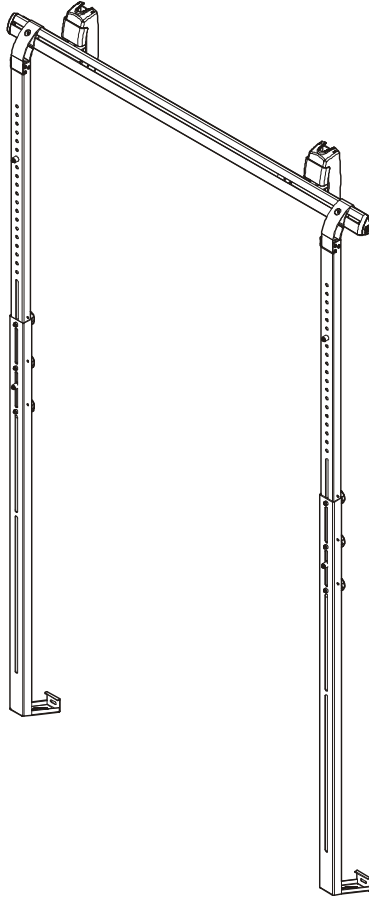


---

# INSTALLATION INSTRUCTIONS

---



---

## Telescoping Leg Interactive Whiteboard Mount

---

## DISCLAIMER

Milestone AV Technologies and its affiliated corporations and subsidiaries (collectively "Milestone"), intend to make this manual accurate and complete. However, Milestone makes no claim that the information contained herein covers all details, conditions or variations, nor does it provide for every possible contingency in connection with the installation or use of this product. The information contained in this document is subject to change without notice or obligation of any kind. Milestone makes no representation of warranty, expressed or implied, regarding the information contained herein. Milestone assumes no responsibility for accuracy, completeness or sufficiency of the information contained in this document.

Chief® is a registered trademark of Milestone AV Technologies. All rights reserved.



## IMPORTANT SAFETY INSTRUCTIONS



**WARNING:** A WARNING alerts you to the possibility of serious injury or death if you do not follow the instructions.



**CAUTION:** A CAUTION alerts you to the possibility of damage or destruction of equipment if you do not follow the corresponding instructions.



**WARNING:** Failure to read, thoroughly understand, and follow all instructions can result in serious personal injury, damage to equipment, or voiding of factory warranty! It is the installer's responsibility to make sure all components are properly assembled and installed using the instructions provided.



**WARNING:** Failure to provide adequate structural strength for this component can result in serious personal injury or damage to equipment! It is the installer's responsibility to make sure the structure to which this component is attached can support five times the combined weight of all equipment. Reinforce the structure as required before installing the component. The wall to which the mount is being attached may have a maximum drywall thickness of 5/8" on wood studs only. Concrete walls may not have any drywall covering.



**WARNING:** Exceeding the weight capacity can result in serious personal injury or damage to equipment! It is the installer's responsibility to make sure the combined weight of all components located on the WBM3E does not exceed 125 lbs (56.7 kg).



**WARNING:** Use this mounting system only for its intended use as described in these instructions. Do not use attachments not recommended by the manufacturer.



**WARNING:** Never operate this mounting system if it is damaged. Return the mounting system to a service center for examination and repair.

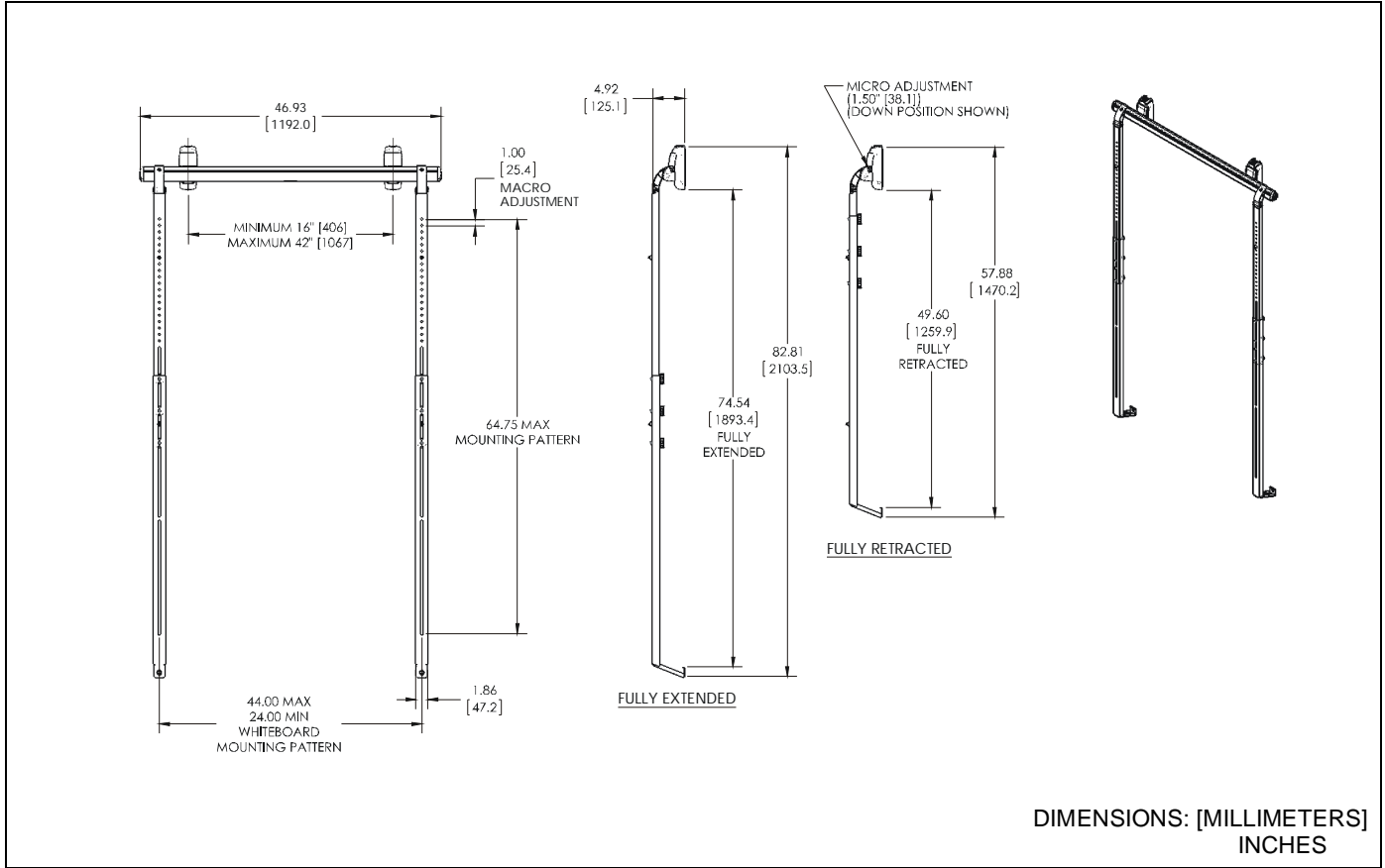


**WARNING:** Do not use this product outdoors.

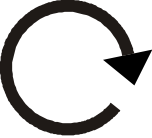






**IMPORTANT ! :** The WBM3E has been designed to be mounted onto either a 2" x 4" wood stud wall, an 8" concrete wall or an 8" x 8" x 16" concrete block wall.

**--SAVE THESE INSTRUCTIONS--**

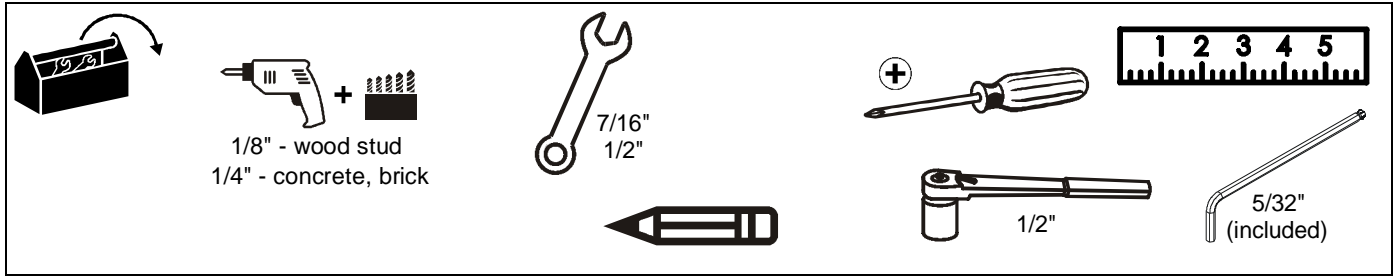
### DIMENSIONS



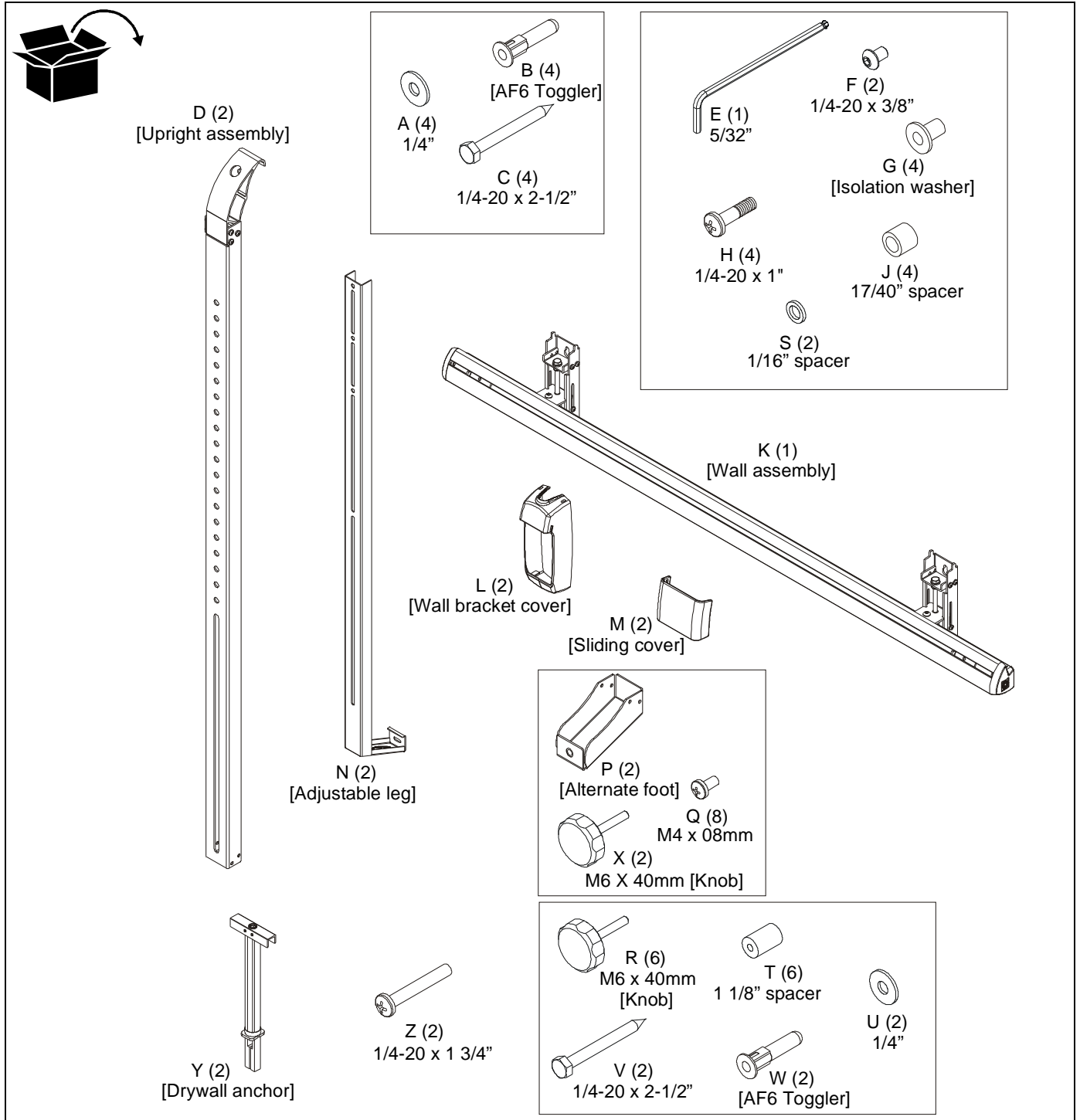
## LEGEND

	<b>Tighten Fastener</b> Apretar elemento de fijación Befestigungsteil festziehen Apertar fixador Serrare il fissaggio Bevestiging vastdraaien Serrez les fixations		<b>Pencil Mark</b> Marcar con lápiz Stiftmarkierung Marcar com lápis Segno a matita Potloodmerkten Marquage au crayon
	<b>Loosen Fastener</b> Aflojar elemento de fijación Befestigungsteil lösen Desapertar fixador Allentare il fissaggio Bevestiging losdraaien Desserrez les fixations		<b>Drill Hole</b> Perforar Bohrloch Fazer furo Praticare un foro Gat boren Percez un trou
	<b>Phillips Screwdriver</b> Destornillador Phillips Kreuzschlitzschraubendreher Chave de fendas Phillips Cacciavite a stella Kruiskopschroevendraaier Tournevis à pointe cruciforme		<b>Hex-Head Wrench</b> Llave de cabeza hexagonal Sechskantschlüssel Chave de cabeça sextavada Chiave esagonale Zeskantsleutel Clé à tête hexagonale
	<b>Open-Ended Wrench</b> Llave de boca Gabelschlüssel Chave de bocas Chiave a punte aperte Steeksleutel Clé à fourche		

**TOOLS REQUIRED FOR INSTALLATION**



**PARTS**



## ASSEMBLY AND INSTALLATION

The WBM3E will allow an interactive whiteboard to be installed over an existing chalkboard or whiteboard. The WBM3E has telescoping legs which allows it to be anchored above and below the existing chalkboard or whiteboard, or anchored above the existing chalkboard or whiteboard with the lower extension resting against the existing board.

### Assembling WBM3E Legs

**NOTE:** Before assembling legs, determine the type of installation required.

- Proceed to **Using Adjustable Leg** section if the WBM3E will be anchored both above and below the existing chalkboard or whiteboard.
- Proceed to **Using Alternate Foot** section if the WBM3E will be anchored above the existing chalkboard or whiteboard with the lower foot resting against the existing board.

### Using Adjustable Leg

1. Slide adjustable leg (N) up over bottom of upright assembly (D). (See Figure 1)
2. Adjust leg (N) as necessary to set the correct length of entire leg assembly. (See Figure 1)
3. Fasten adjustable leg (N) in place using three knobs and three 1 1/8" spacers (T). (See Figure 1)

**NOTE:** Three knobs and spacers should be used on each leg assembly. If necessary, two knobs may be used, **at a minimum**.

4. Repeat Steps 1 through 3 on the other upright assembly (D).
5. Proceed to **Locate Mounting Site** section.

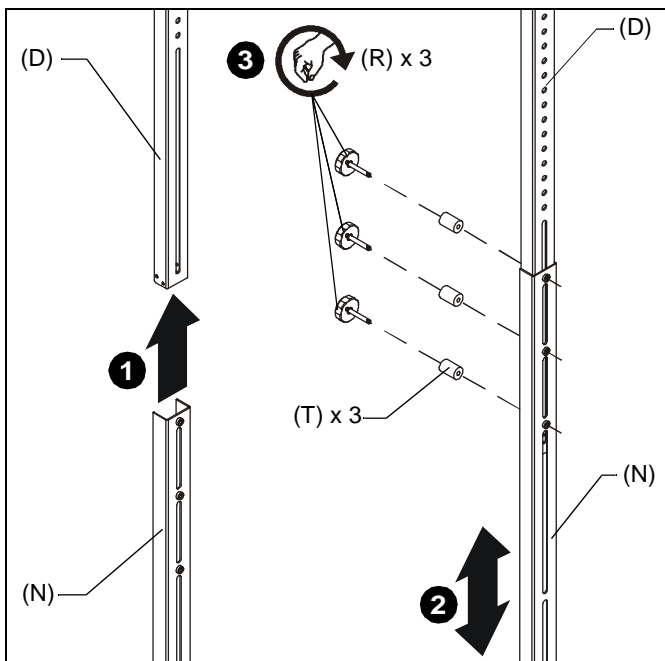


Figure 1

### Using Alternate Foot

1. Install M6x40mm knob (X) into hole on alternate foot (P). (See Figure 2)
2. Place alternate foot (P) over bottom of upright assembly (D). (See Figure 2)
3. Fasten alternate foot (P) to upright assembly (D) using four M4 x 08mm Phillips head screws (Q). (See Figure 2)
4. Repeat Steps 1 and 2 on the other upright assembly (D).

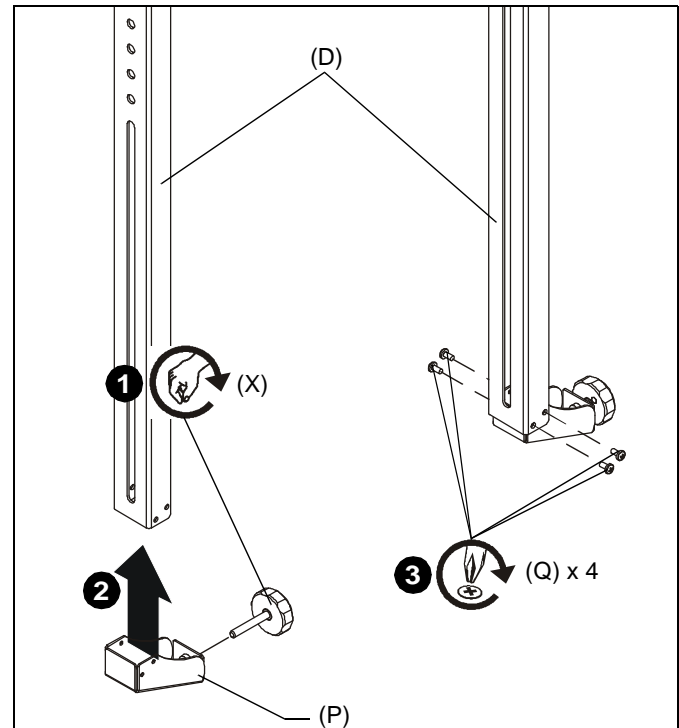


Figure 2

### Locate Mounting Site



**WARNING:** IMPROPER INSTALLATION CAN LEAD TO MOUNT FALLING CAUSING SEVERE PERSONAL INJURY OR DAMAGE TO EQUIPMENT! It is the installers responsibility to make certain the structure to which the mount is being attached is capable of supporting five times the weight of the WBM3E and all attached equipment not to exceed 125 lbs (56.7 kg).



**WARNING:** ELECTRICAL SHOCK, EXPLOSION AND FIRE HAZARD! CUTTING OR DRILLING INTO ELECTRICAL CORDS, CABLES OR GAS PLUMBING CAN CAUSE DEATH OR SERIOUS PERSONAL INJURY! ALWAYS make certain area behind mounting surface is free of electrical wires, cables, gas, water, waste, or any other plumbing before drilling or installing fasteners.

### Adjusting Wall Brackets for Installation

**NOTE:** The wall brackets on the wall assembly may be adjusted to suit installation needs, but must be spaced a **minimum** of 16" apart.

1. Slide wall brackets along wall assembly (K). (See Figure 3)
2. Tighten button head cap screw on each wall bracket to secure wall brackets to wall assembly. (See Figure 3)

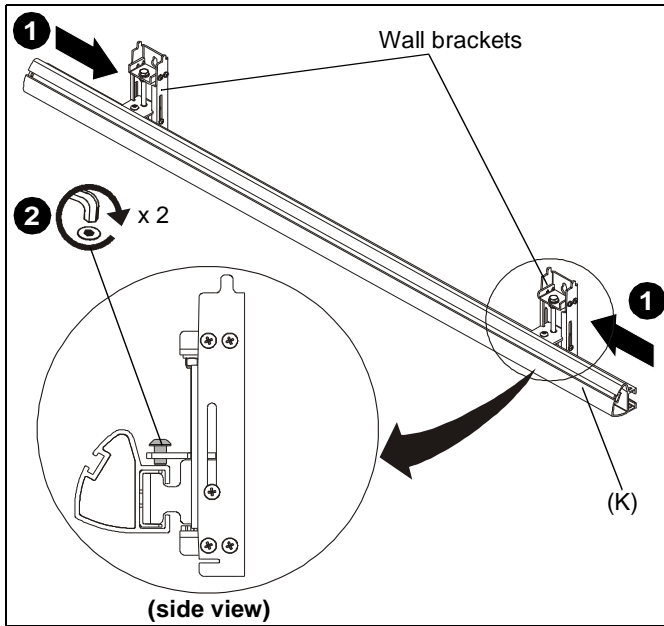


Figure 3

**NOTE:** Proceed to the **Installing to a Wood Stud Wall** section, or the **Installing to a Concrete or Concrete Block Wall** section, as appropriate.

### Installing to a Wood Stud Wall

1. Determine the center of the chalkboard.
2. Locate the closest 2" x 4" wood stud to the left and right of the selected location.

**NOTE:** The two WBM3E wall brackets on the wall assembly (K) must be mounted a **minimum** of 16" apart, or a **maximum** of 42" apart.

3. Using a level, mark the wall on each stud above existing chalkboard through **top** mounting hole in the wall assembly (K). (See Figure 4)
4. Drill one 1/8" pilot hole in each stud. (See Figure 4)
5. Use two 1/4-20 x 2-1/2" lag bolts (C) and two 1/4" flat washers (A) to attach wall assembly (K) to wall. (See Figure 4)
6. Mark the wall through the **lower** mounting hole in the wall assembly (K). (See Figure 4)
7. Drill one 1/8" pilot hole in each stud through lower mounting hole in wall assembly (K). (See Figure 4)
8. Use two 1/4-20 x 2-1/2" lag bolts (C) and two 1/4" flat washers (A) to attach wall assembly (K) to wall. (See Figure 4)

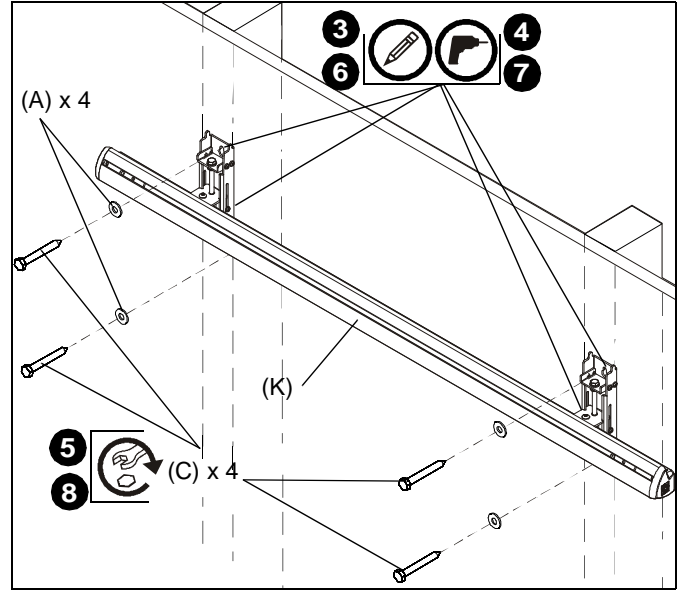


Figure 4

### Installing to a Concrete or Concrete Block Wall

**NOTE:** The WBM3E may be attached to an 8" concrete wall or an 8" x 8" x 16" concrete block wall.

1. Determine the center of the chalkboard.

**NOTE:** The two WBM3E wall brackets on the wall assembly (K) must be mounted a **minimum** of 16" apart, or a **maximum** of 42" apart.

2. Using a level, mark the wall above existing chalkboard through top mounting hole in the wall assembly (K). (See Figure 5)

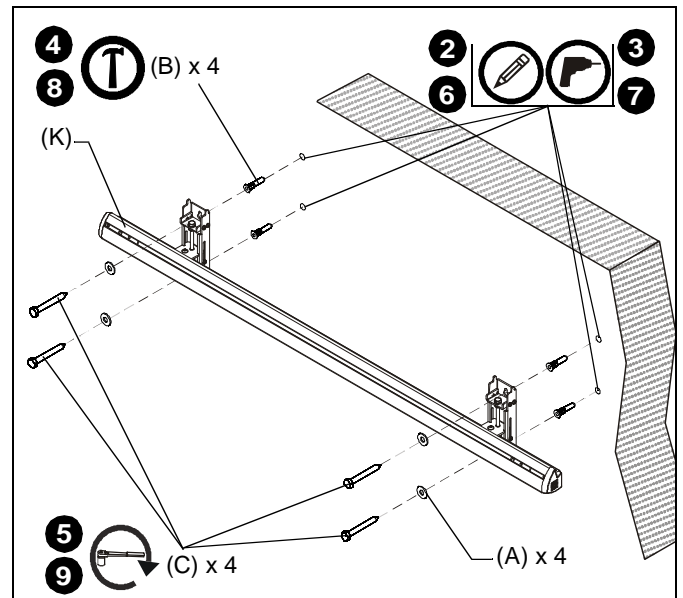


Figure 5

3. Drill one 1/4" x 2-3/4" pilot hole at each marking. (See Figure 5)
4. Install a Toggler (B) into each pilot hole using a hammer. (See Figure 5)
5. Use two 1/4-20 x 2-1/2" lag bolts (C) and two 1/4" flat washers (A) to attach wall assembly (K) to anchors in wall. (See Figure 5)
6. Mark the wall through the lower mounting hole in the wall assembly (K). (See Figure 5)
7. Drill one 1/4" x 2-3/4" pilot hole at each marking through lower mounting hole in wall assembly (K). (See Figure 5)
8. Install a Toggler (B) into each pilot hole using a hammer. (See Figure 5)
9. Use two 1/4-20 x 2-1/2" lag bolts (C) and two 1/4" flat washers (A) to attach wall assembly (K) to anchors in wall. (See Figure 5)

**Attaching Interactive Whiteboard**

1. Attach upright assembly (D) to back of white board using two 1/4-20 x 1" Phillips pan head screws (H), two isolation washers (G) and two 17/40" spacers (J). (See Figure 6)
2. Repeat for second upright assembly. (See Figure 6)

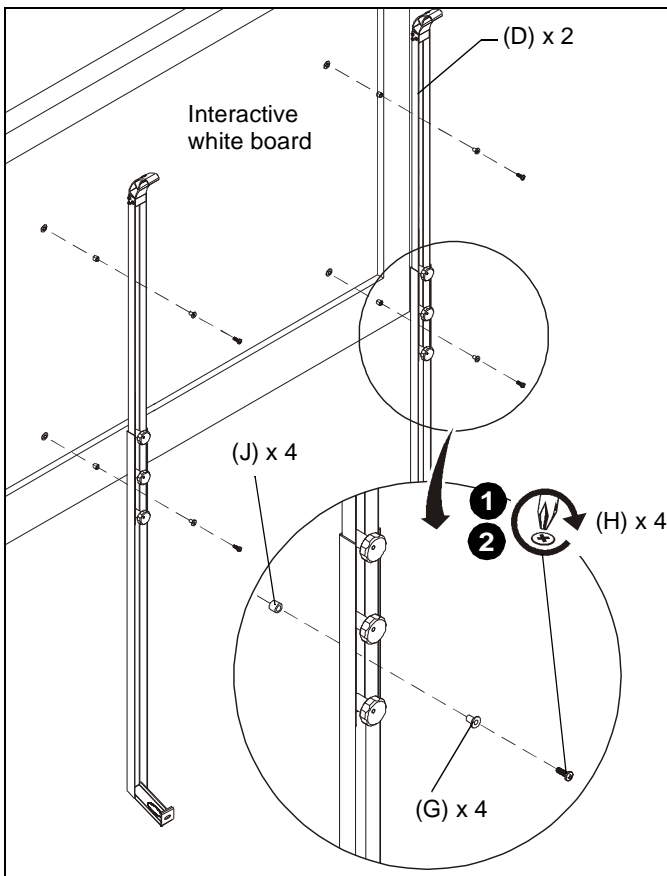


Figure 6

**Attaching Uprights to Wall Assembly**

1. Hook whiteboard with attached uprights onto the wall

- assembly (K). (See Figure 7)
2. Move the slide nut so that it is aligned with the upright (D). (See Figure 7)
3. Fasten upright in place using one 1/4-20 x 3/8" button head cap screw (F) and one 1/16" nylon spacer (S) into slide nut. (See Figure 7)
4. Repeat for other side of wall assembly.

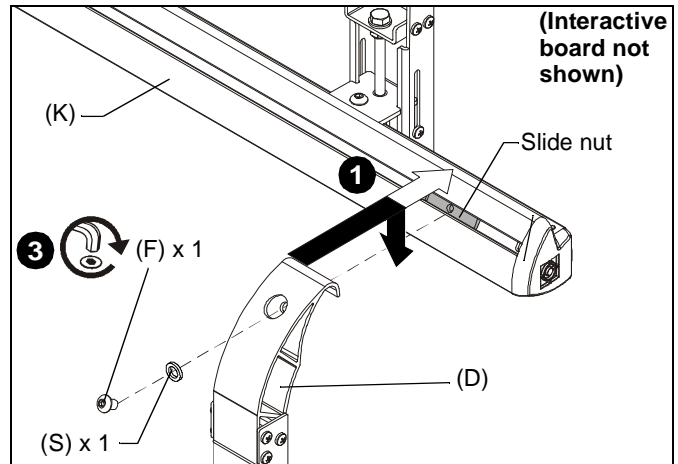


Figure 7

**Adjustments**

**Lateral Movement**

1. Loosen one button head cap screw at top of upright assembly (D). (See Figure 8)
2. Slide upright assembly left or right on wall assembly (K), as necessary. (See Figure 8)
3. Tighten button head cap screw to fasten upright assembly into place. (See Figure 8)

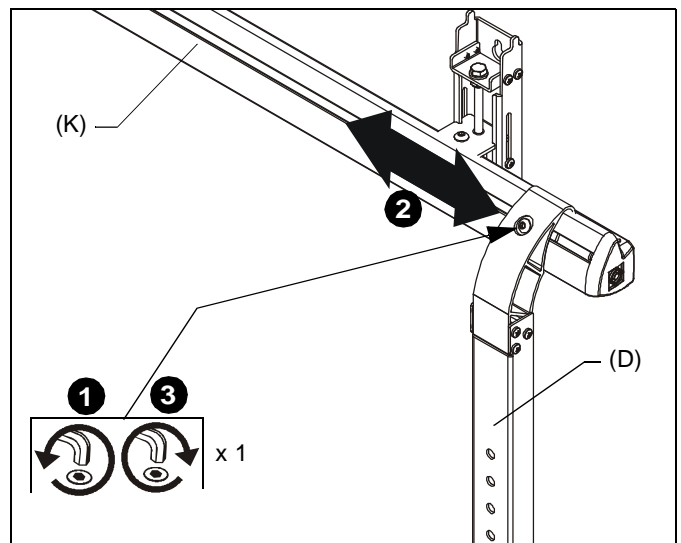


Figure 8

**Vertical Adjustment**

1. Loosen one button head cap screw with spacer at top of



each upright assembly (D). (See Figure 9)

- Unhook whiteboard from wall assembly (K). (See Figure 9)

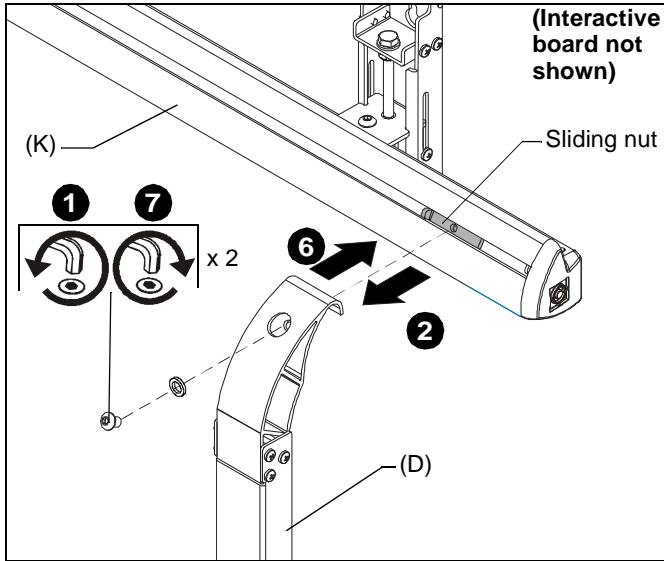


Figure 9

- Loosen four Phillips head screws on back of white board. (See Figure 10)
- Adjust white board up or down, as required. (See Figure 10)
- Tighten four Phillips head screws (H) into four isolation washers (G) and spacers (J) to fasten white board to upright assemblies (D). (See Figure 10)

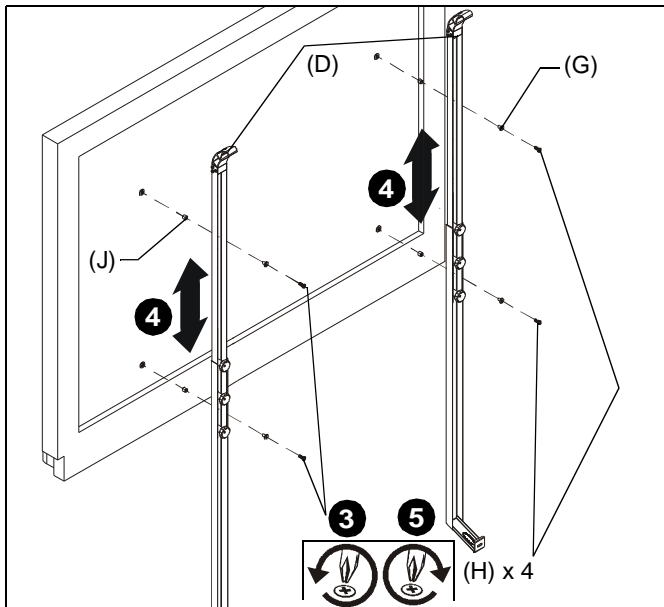


Figure 10

- Hook whiteboard with attached upright assemblies onto the wall assembly (K). (See Figure 9)
- Tighten button head cap screw with spacer (loosened in Step 1) at top of each upright assembly to fasten upright assemblies (D) into place. (See Figure 9)

### Micro Height Adjust and Leveling

- The wall assembly (K) can be adjusted or leveled by turning the hex head bolt in the brackets. (See Figure 11)

- Turn **clockwise** to raise wall assembly
- Turn **counterclockwise** to lower wall assembly.

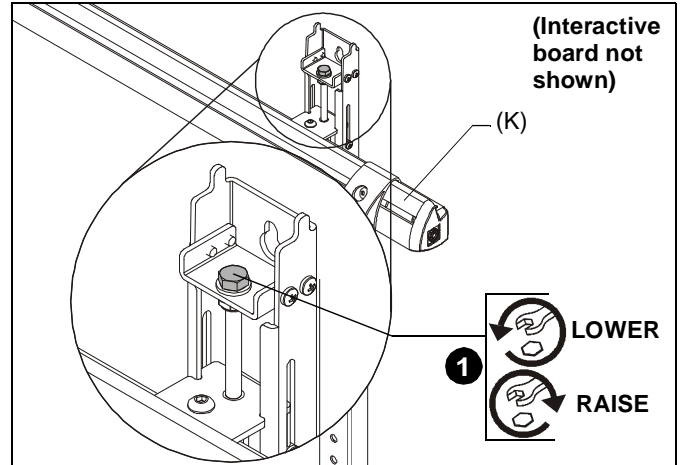


Figure 11

**IMPORTANT ! :** Complete WBM3E installation according to the type of installation selected:

- If the WBM3E has been installed with the alternate foot (P) attached, proceed to **Adding Covers** section to complete installation.
- If the WBM3E has been installed to be anchored above and below the existing chalkboard or whiteboard, proceed to **Completing Attachment to Wall** section.

### Completing Attachment to Wall (using adjustable leg only)

**NOTE:** See **Adjustments** section to make any necessary adjustments **BEFORE** completing attachment to wall.

**NOTE:** The lower part of the WBM3E must be attached to the wall using the correct hardware for the wall type. It may be attached to a wood stud wall or a concrete or concrete block wall. Proceed to appropriate section for instruction.

**NOTE:** If installing to a wood stud wall, drywall anchors (Y) are required if the adjustable legs do not align with the wood studs after they are attached to the display.

#### Wood Stud Wall (if legs are aligned with studs)

1. Mark the wall over wood stud through the adjustable leg (N) on each upright assembly. (See Figure 12)
2. Drill one 1/8" pilot hole in wood stud. (See Figure 12)
3. Use one 1/4-20 x 2-1/2" lag bolt (V) and one 1/4" flat washer (U) to attach adjustable leg (N) to wall. (See Figure 12)
4. Repeat Steps 2 and 3 for other adjustable leg (N).

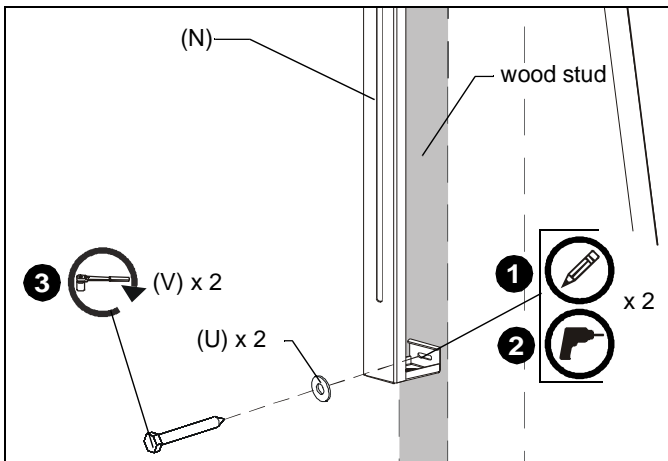


Figure 12

#### Wood Stud Wall (if legs are NOT aligned with studs)

1. Mark the wall on drywall through the adjustable leg (N) on each upright assembly. (See Figure 13)
2. Drill a 1/2" hole at each marked location. (See Figure 13)

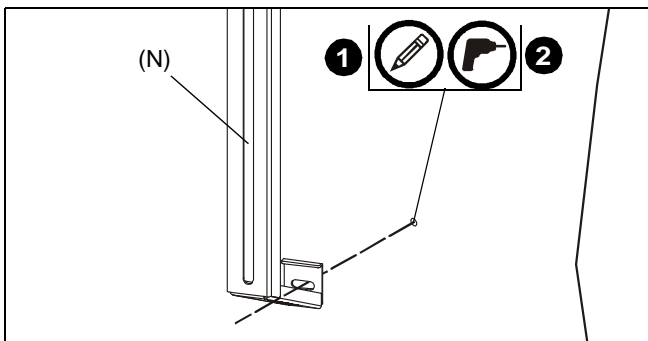


Figure 13

3. Hold metal channel on anchor (Y) flat alongside plastic straps and slide channel through hole. (See Figure 14)

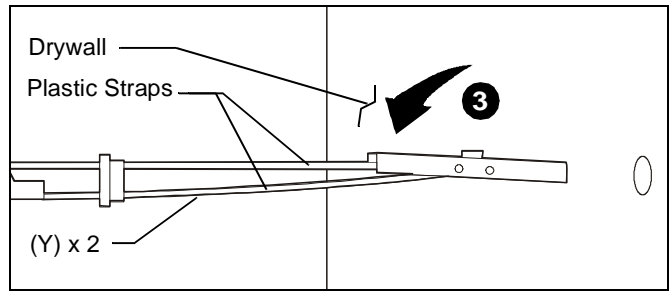


Figure 14

4. Holding plastic straps on anchor (Y), pull anchor away from wall until channel rests flush behind wall. (See Figure 15)
5. Slide plastic cap on anchor (Y) towards wall until flange of cap is flush with wall. (See Figure 15)

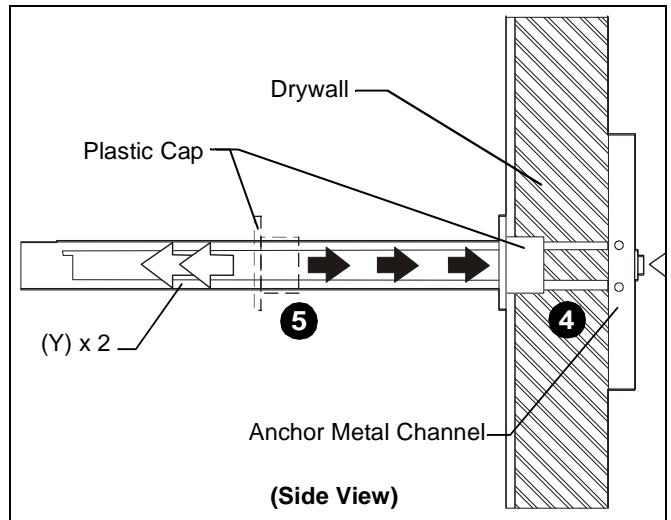


Figure 15

6. Snap off plastic straps on anchor at wall by pushing side to side, snapping off straps level with flange of plastic cap. (See Figure 16)
7. Repeat steps 3 through 6 for remaining mounting hole.

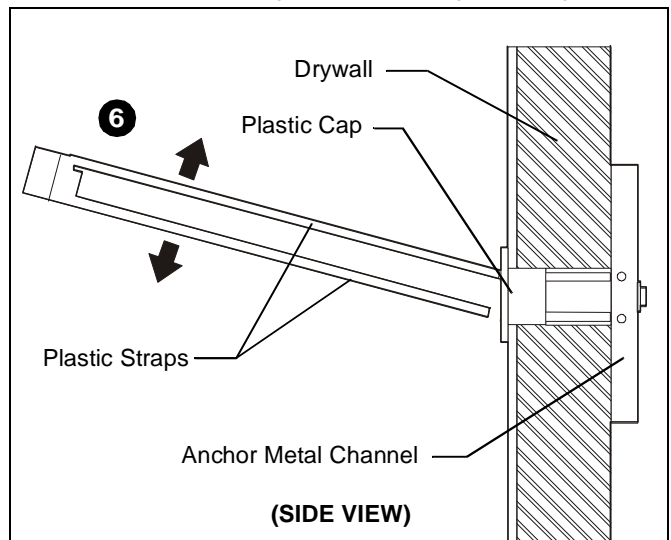


Figure 16

- Use two 1/4-20 x 1 3/4" Phillips pan machine screws (Z) and two 1/4" flat washers (U) to attach both adjustable legs (N) to anchors in wall. (See Figure 17)

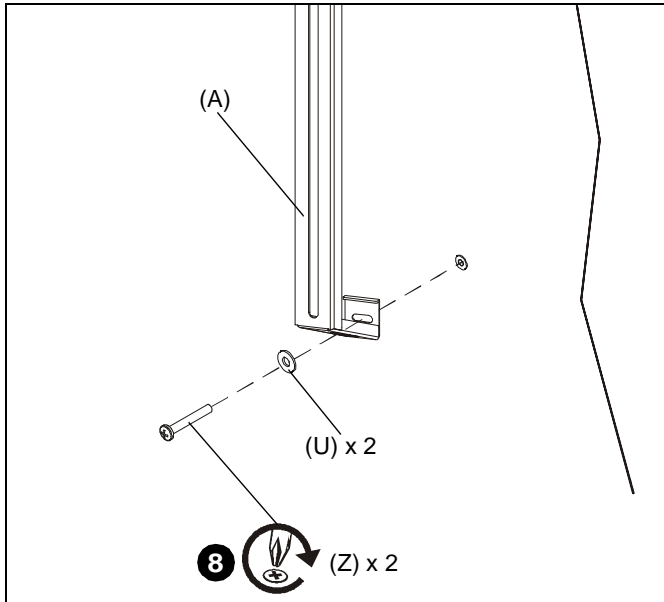


Figure 17

**Concrete or Concrete Block Wall**

- Mark the wall through the adjustable leg (N) on each upright assembly (D). (See Figure 18)

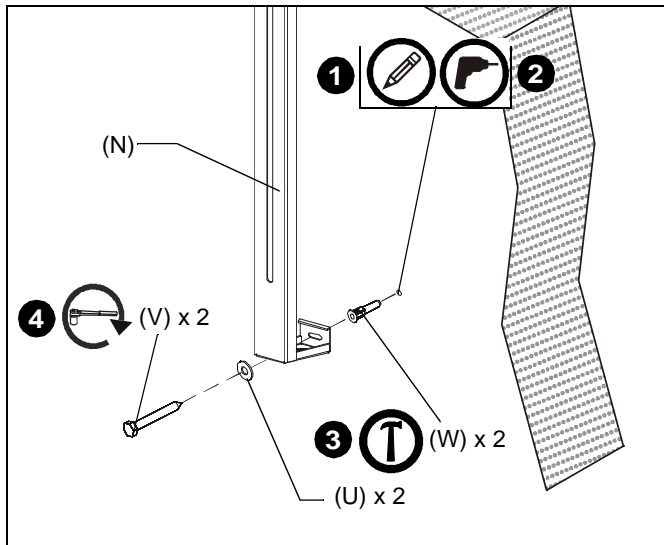


Figure 18

- Drill one 1/4" x 2-3/4" pilot hole at marking. (See Figure 18)
- Install a Toggler (W) into pilot hole using a hammer. (See Figure 18)
- Use one 1/4-20 x 2-1/2" lag bolt (V) and one 1/4" flat washer (U) to attach adjustable leg (N) to anchor in wall. (See Figure 18)
- Repeat Steps 2 through 4 for other adjustable leg (N).

**Adding Covers**

- Open the lower flaps of the wall bracket cover (L) outward. (See Figure 19)
- Slide the cover downward, hooking the top of the wall bracket covers (L) onto the tabs on top of wall assembly brackets. (See Figure 19)
- Slide the lower flaps of the wall bracket cover (L) under the bottom of the wall assembly brackets (K). (See Figure 19)

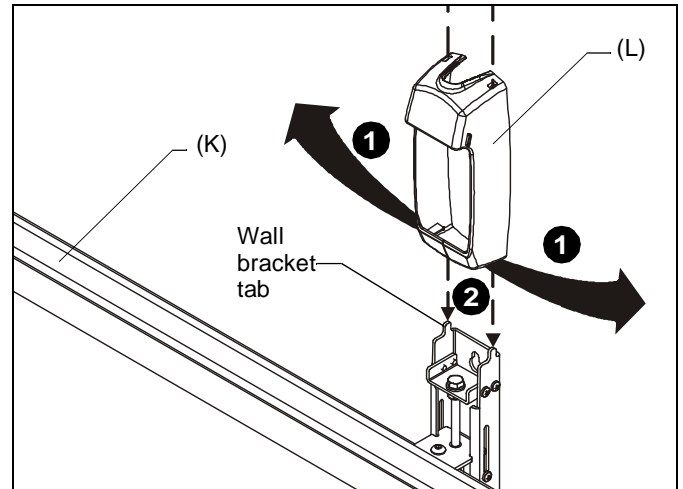


Figure 19

- Slide the sliding cover (M) down over the wall bracket cover (L) on both wall assembly brackets. (See Figure 20)

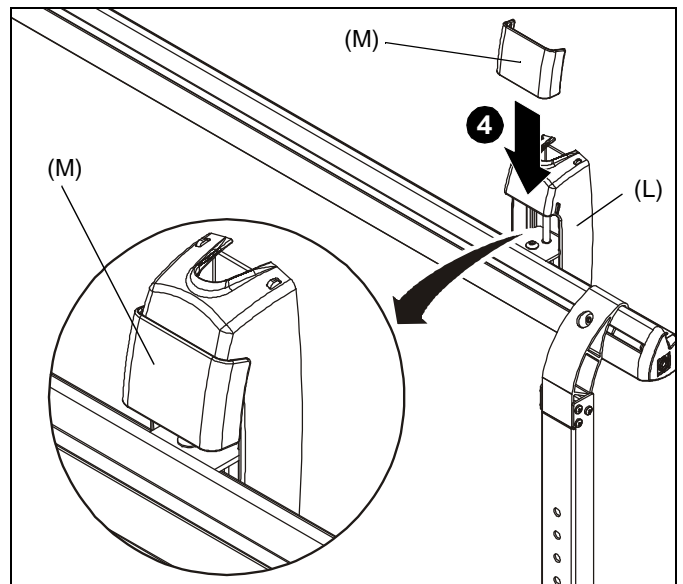


Figure 20



Our Mounts. **Your Vision.**

Chief, a products division of  
Milestone AV Technologies

8800-002434 Rev01  
©2014 Milestone AV Technologies  
[www.chiefmfg.com](http://www.chiefmfg.com)  
01/14

<b>USA/International</b>	<b>A</b> 6436 City West Parkway, Eden Prairie, MN 55344 <b>P</b> 800.582.6480 / 952.225.6000 <b>F</b> 877.894.6918 / 952.894.6918
<b>Europe</b>	<b>A</b> Franklinstraat 14, 6003 DK Weert, Netherlands <b>P</b> +31 (0) 495 580 852 <b>F</b> +31 (0) 495 580 845
<b>Asia Pacific</b>	<b>A</b> Office No. 1 on 12/F, Shatin Galleria 18-24 Shan Mei Street Fotan, Shatin, Hong Kong <b>P</b> 852 2145 4099 <b>F</b> 852 2145 4477

