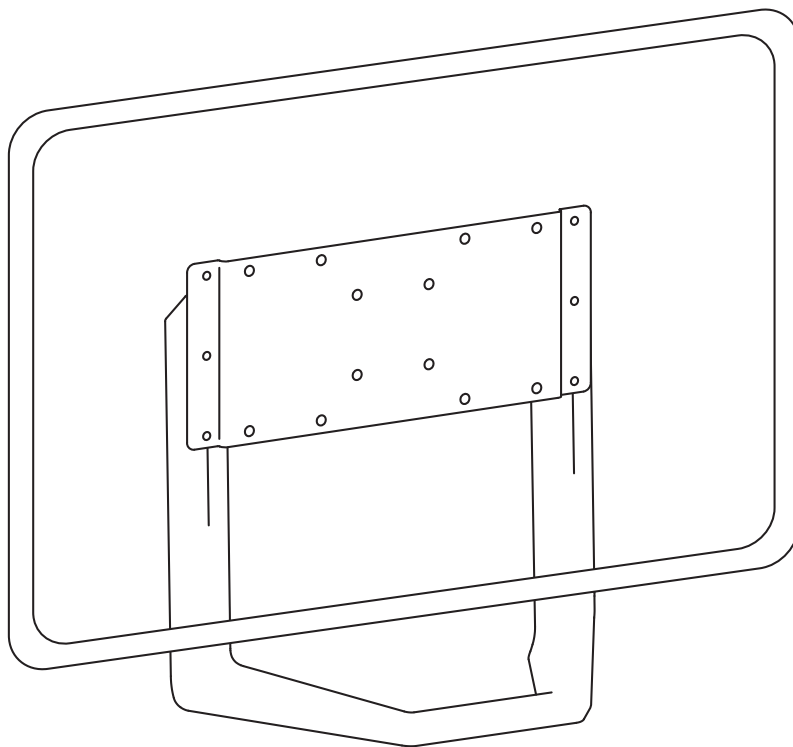


ergotron®

Monitor Handle Kit



English



For the latest User Installation Guide please visit: www.ergotron.com

English, Español, Français, Deutsch, Nederlands, Italiano, Svenska, 日本語, 汉语

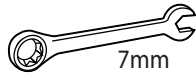
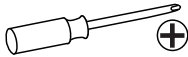
www.ergotron.com | USA: 1-800-888-8458 | Europe: +31 (0)33-45 45 600 | China: 400-120-3051 | Japan: japansupport@ergotron.com

Set-up



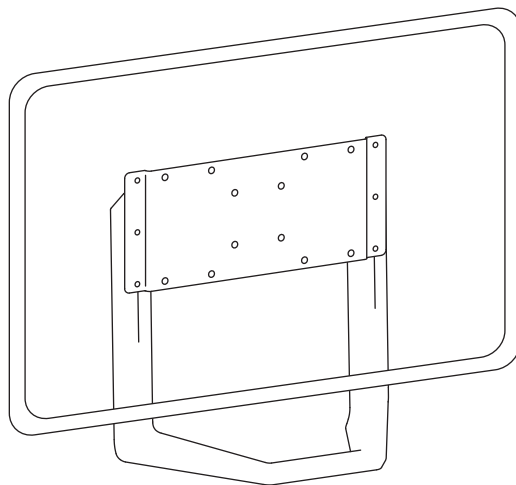
Components

	A	B	C	D	E	D
1	1x 	1x 	4x M6-M8 x 5mm	2x M6 x 25mm		4x M4
2	1x 4 mm		4x M6-M8 x 10mm	4x ID: 5.2 mm OD: 13 mm THK: 2.5 mm	4x ID: 8.5 mm OD: 18 mm THK: 2.5 mm	2x ID: 6.5 mm OD: 12 mm THK: 1 mm
3	2x 			4x M4 x 10mm	4x M4 x 30mm	
4	4x M4 x 15mm	4x M5 x 15mm	4x M4 x 30mm		4x M5 x 30mm	
5	4x M6 x 15mm	4x M8 x 15mm	4x M6 x 30mm		4x M8 x 30mm	



Tools Needed

Features & Specifications



IMPORTANT! This product adds an additional 2.9 lbs. (1.3 kg) to your mounting solution. Your mounting solution's monitor weight capacity must be reduced by 2.9 lbs. (1.3 kg) when using standard monitors less than or equal to 2.5" (64 mm) thick. Additional reduction will be required if monitors are greater than 2.5" (64 mm) thick.

1 There are 5 ways to mount this product. Based on what mounting solution and display you are attaching this product to, follow the appropriate mounting instructions.

- A. Attach to mounting solution with 50 x 50 mm hole pattern and display with 100x100mm hole pattern.
- B. Attach to mounting solution with 50 x 50 mm hole pattern and display with 200x100mm hole pattern.
- C. Attach to mounting solution and display with 100 x 100 mm mounting hole pattern.
- D. Attach to mounting solution and display with 200 x 100 mm mounting hole pattern.
- E. Attach to mounting solution with 100 x 100 mm hole pattern and display with 200x100mm hole pattern.

A/B

50 mm

50 mm

100mm

100mm

200mm

100mm

4x !

Use the fasteners and tool supplied with your mounting solution.

50 mm

50 mm

Top view of attachment.

4

C

100 mm

100 mm

100mm

100mm

5

D

200 mm

100 mm

200mm

100mm

6

E

100 mm

100 mm

200mm

100mm

4x M4 x 10mm

4x M4

7mm

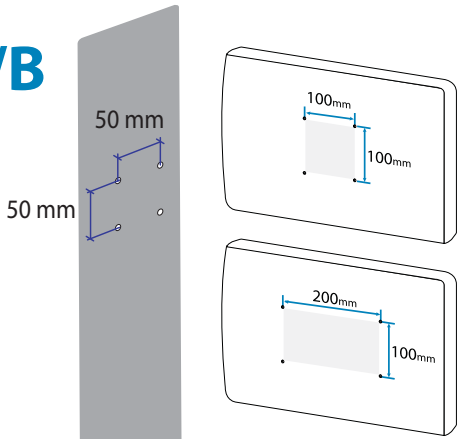
100 mm

100 mm

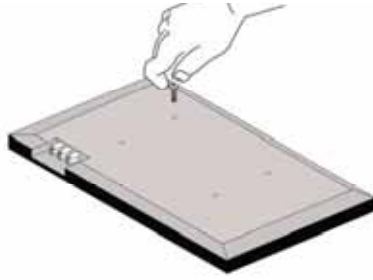
Top view of attachment.

7

A/B

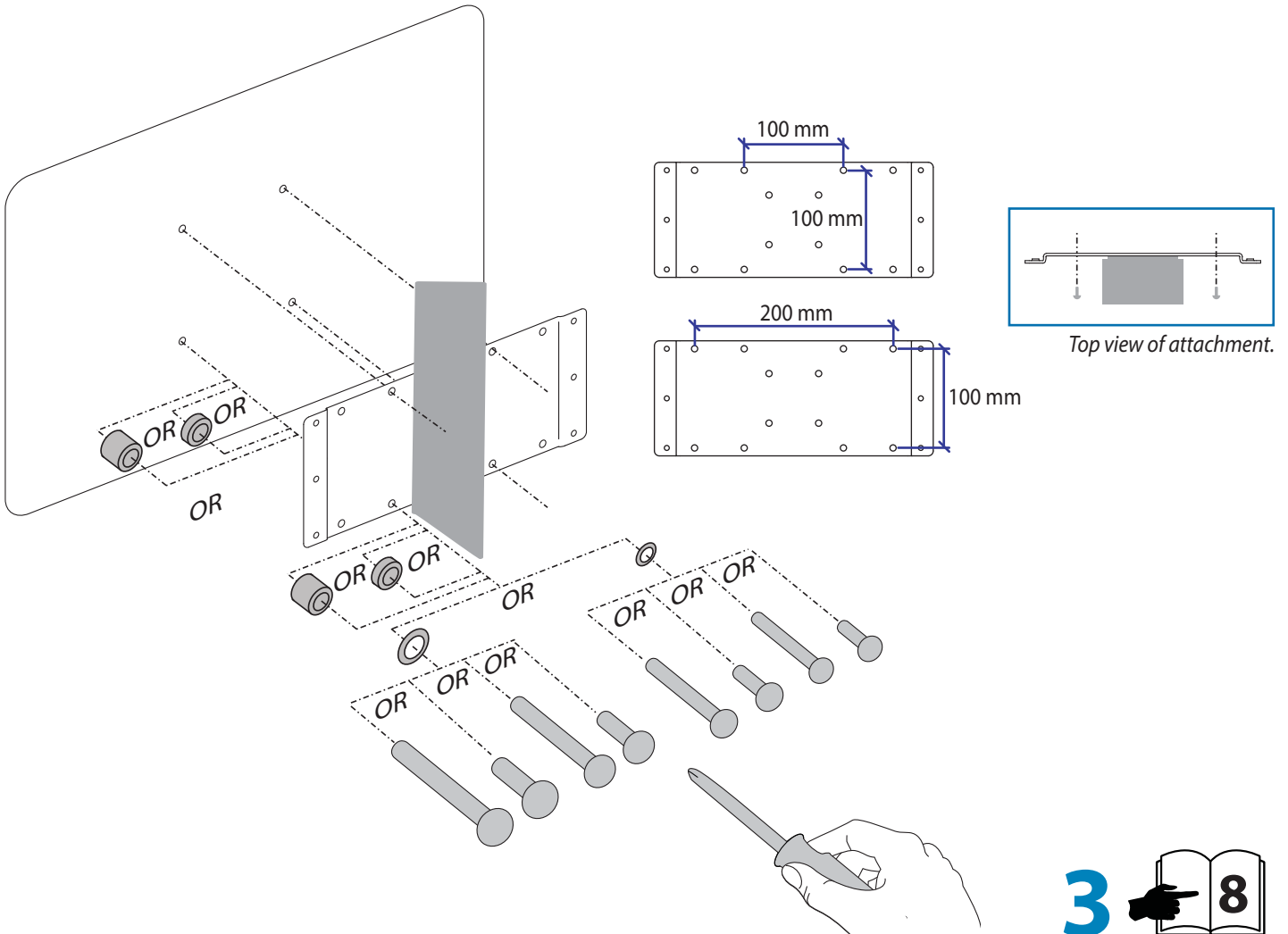


WARNING! PLEASE SELECT THE PROPER SCREW LENGTH AND WIDTH FOR YOUR FLAT PANEL BY HAND TIGHTENING TO CHECK YOUR FLAT PANELS THREAD WIDTH AND DEPTH.

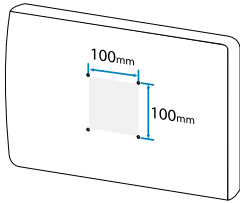
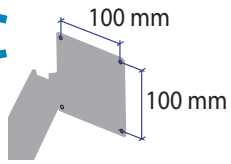


2

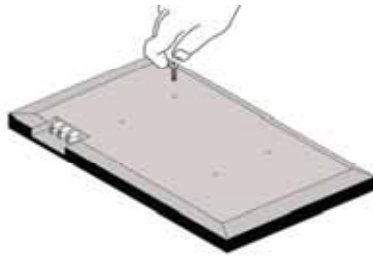
4x M4 x 15mm	4x M5 x 15mm	4x M4 x 30mm	4x M5 x 30mm
4x M6 x 15mm	4x M8 x 15mm	4x M6 x 30mm	4x M8 x 30mm
4x ID: 5.2 mm OD: 13 mm THK: 2.5 mm	4x ID: 8.5 mm OD: 18 mm THK: 2.5 mm	4x M6-M8 x 10mm	4x M6-M8 x 5mm



C

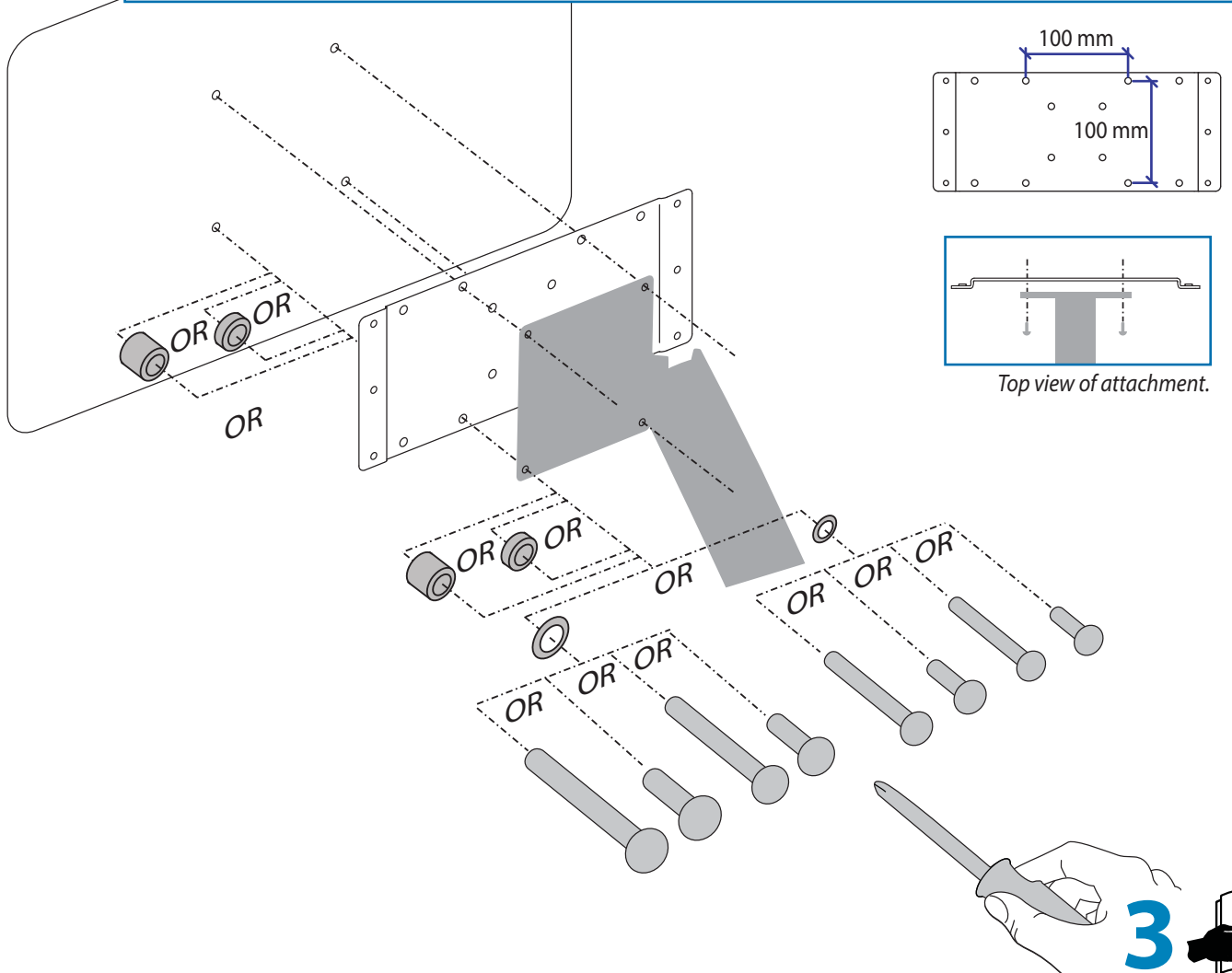


WARNING! PLEASE SELECT THE PROPER SCREW LENGTH AND WIDTH FOR YOUR FLAT PANEL BY HAND TIGHTENING TO CHECK YOUR FLAT PANELS THREAD WIDTH AND DEPTH.

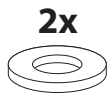
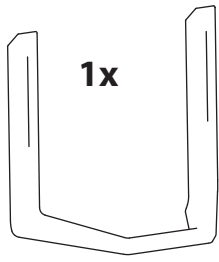


2

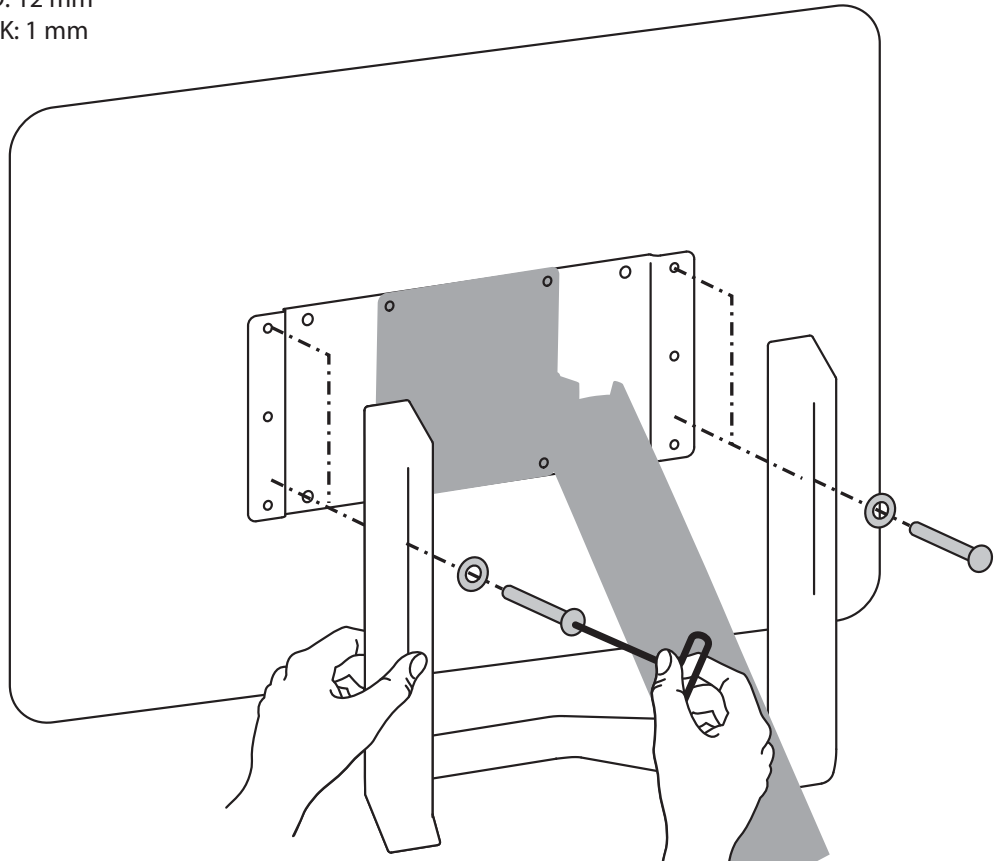
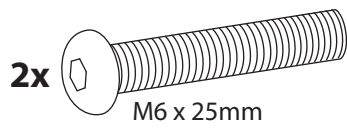
4x M4 x 15mm	4x M5 x 15mm	4x M4 x 30mm	4x M5 x 30mm
4x M6 x 15mm	4x M8 x 15mm	4x M6 x 30mm	4x M8 x 30mm
4x 	4x 	4x 	4x



3



ID: 6.5 mm
OD: 12 mm
THK: 1 mm



4



Adjustment • Ajuste • Réglage • Einstellung • Instellen • Regolazione • 調整 • 조절

Important! Adjust your mounting solution to handle the added weight.

You will need to adjust your product after installation is complete. Make sure all your equipment is properly installed on the product before attempting adjustments. Your mounting solution should move smoothly and easily through the full range of motion and stay where you set it. If movements are too easy or difficult or if product does not stay in desired positions, follow the adjustment instructions that came with your mounting solution to create smooth and easy movements. Depending on your product and the adjustment, it may take many turns to notice a difference. Any time equipment is added or removed from your mounting solution, resulting in a change in the weight of the mounted load, you should repeat the adjustment steps to ensure safe and optimum operation.

ergotron®

For Warranty visit: www.ergotron.com/warranty

For Service visit: www.ergotron.com

For local customer care phone numbers visit: <http://contact.ergotron.com>

www.ergotron.com | USA: 1-800-888-8458 | Europe: +31 (0)33-45 45 600 | China: 400-120-3051 | Japan: japansupport@ergotron.com

© 2019 Ergotron, Inc. All rights reserved.

While Ergotron, Inc. makes every effort to provide accurate and complete information on the installation and use of its products, it will not be held liable for any editorial errors or omissions (including those made in the process of translation from English to another language), or for incidental, special or consequential damages of any nature resulting from furnishing this instruction and performance of equipment in connection with this instruction. Ergotron, Inc. reserves the right to make changes in the product design and/or product documentation without notification to its users. For the most current product information, or to know if this document is available in languages other than those herein, please contact Ergotron. No part of this publication may be reproduced, stored in a retrieval system, or transmitted in any form or by any means, electronic, mechanical, photocopying, recording or otherwise without the prior written consent of Ergotron, Inc., 1181 Trapp Road, Eagan, Minnesota, 55121, USA. Patents Pending and Patented U.S. & Foreign. Ergotron is a registered trademark of Ergotron, Inc.