

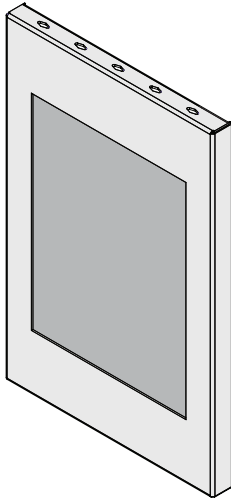
---

# IPM-700 Series

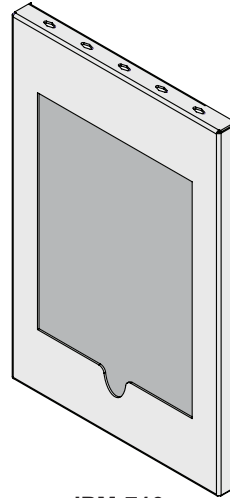
iPad™ Wall Mount

---

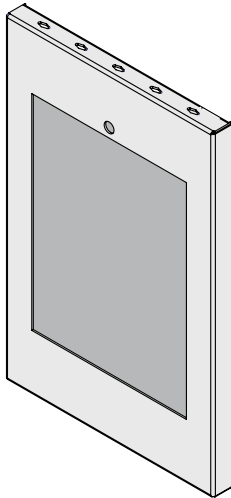
## INSTALLATION INSTRUCTIONS



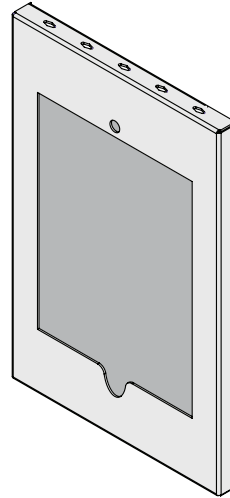
IPM-700



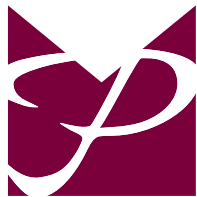
IPM-710



IPM-720



IPM-730



**PREMIER  
MOUNTS®**

CREATING POSITIVE CUSTOMER EXPERIENCES



# Contents

Warning Statements ..... 2

Installation Tools ..... 3

Parts List..... 3

Features. .... 4

Installing to a Wall. .... 5

Installing the iPad™ ..... 13

Attaching the Cover. .... 14

Technical Specifications. .... 14

Warranty. .... 15

## Warning Statements



PRIOR TO THE INSTALLATION OF THIS PRODUCT, THE INSTALLATION INSTRUCTIONS MUST BE READ AND COMPLETELY UNDERSTOOD. KEEP THESE INSTALLATION INSTRUCTIONS IN AN EASILY ACCESSIBLE LOCATION FOR FUTURE REFERENCE.



PROPER INSTALLATION PROCEDURE BY A QUALIFIED SERVICE TECHNICIAN MUST BE FOLLOWED, AS OUTLINED IN THESE INSTALLATION INSTRUCTIONS. FAILURE TO DO SO COULD RESULT IN PROPERTY DAMAGE, SERIOUS PERSONAL INJURY, OR EVEN DEATH.



SAFETY MEASURES MUST BE PRACTICED AT ALL TIMES DURING THE ASSEMBLY OF THIS PRODUCT. USE PROPER SAFETY EQUIPMENT AND TOOLS FOR THE ASSEMBLY PROCEDURE TO PREVENT PERSONAL INJURY.



PREMIER MOUNTS DOES NOT WARRANT AGAINST DAMAGE CAUSED BY THE USE OF ANY PREMIER MOUNTS PRODUCT FOR PURPOSES OTHER THAN THOSE FOR WHICH IT WAS DESIGNED OR DAMAGE CAUSED BY UNAUTHORIZED ATTACHMENTS OR MODIFICATIONS, AND IS NOT RESPONSIBLE FOR ANY DAMAGES, CLAIMS, DEMANDS, SUITS, ACTIONS OR CAUSES OF ACTION OF WHATEVER KIND RESULTING FROM, ARISING OUT OF OR IN ANY MANNER RELATING TO ANY SUCH USE, ATTACHMENTS OR MODIFICATIONS.



Be aware of the mounting environment. If drilling and/or cutting into the mounting surface, always make sure that there are no electrical wires in wall. Cutting or drilling into an electrical line may cause serious personal injury.



Make sure there are no water or natural gas lines inside the wall where the mount is to be located. Cutting or drilling into a water or gas line may cause severe property damage or personal injury.



This product is intended for indoor use only. Use of this product outdoors could lead to product failure and/or serious personal injury.



Do not install near sources of high heat. Do not install on a structure that is prone to vibration, movement or chance of impact.


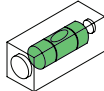

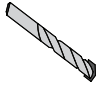


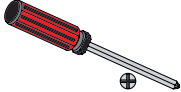
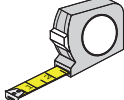
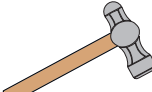
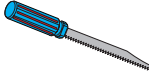


Contact Premier Mounts with any questions:  
(800) 368-9700  
techsupport@mounts.com



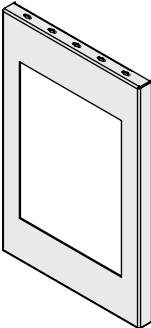
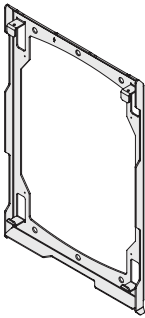

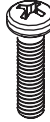
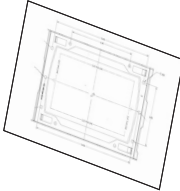
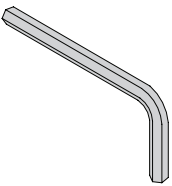
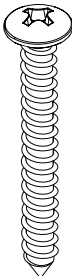
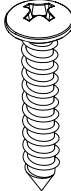


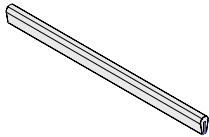
## Installation Tools

The following tools may be required depending on your installation.

 Electronic Stud Finder	 Level	 3/16" Drill Bit	 3/16" Concrete Drill Bit	 Hand Held Drill
 Pencil	 Phillips Tip Screwdriver	 Tape Measure	 Hammer	 Drywall Saw

## Parts List

Make sure none of the Premier Mounts parts are missing and/or damaged before beginning installation. If there are, stop the installation and call Premier Mounts at (800) 368-9700.

IPM-700 Series Components				
 Front Plate (Qty 1)	 Back Plate (Qty 1)	 M3 x 12mm Set Screw (Qty 2)	 M3 x 12mm Nylon Pan Head Screw (Qty 2)	
		 Paper Template (Qty 1)		
 M1.5 Allen Wrench (Qty 1)	 #10 x 2" Wood Screw (Qty 2)	 #10 x 1 1/4" Wood Screw (Qty 4)	 #10 Screw Anchor (Qty 4)	<b>iPad2™ Kit</b>  Adhesive-Backed Bumper (Qty 4)
				 Rubber Edge Trim (Qty 2)



## Features

The IPM-700 Series of secure wall mounting frames is perfect for turning the iPad™ into a compact interactive display for digital signage or control. This decorative and easy-to-install wall mount prevents unauthorized access and does not obstruct reception to WiFi networks.

The IPM-700 covers all operation buttons, including the home button; the IPM-710 covers all operation buttons except the home button; the IPM-720 covers all operation buttons and has a camera hole for the iPad2™; and the IPM-730 has openings for the home button and camera hole for the iPad2™.

These mounting frames include screws and screw anchors for mounting on a single wood stud or in drywall or concrete. Adhesive rubber strips and bumpers are also included for fitting iPad2's™ into the frame.

To accommodate specific power and A/V cabling needs on drywall installations, the IPM-700 Series may be installed over Premier Mounts' optional In-Wall A/V and Power GearBox™ (GB-INWAVP). This GearBox™ includes knockouts for power and signal access and can be easily installed in a wall. (The GB-INWAVP cannot be used with the IPM-700 Series in single-stud or concrete surface installations.)

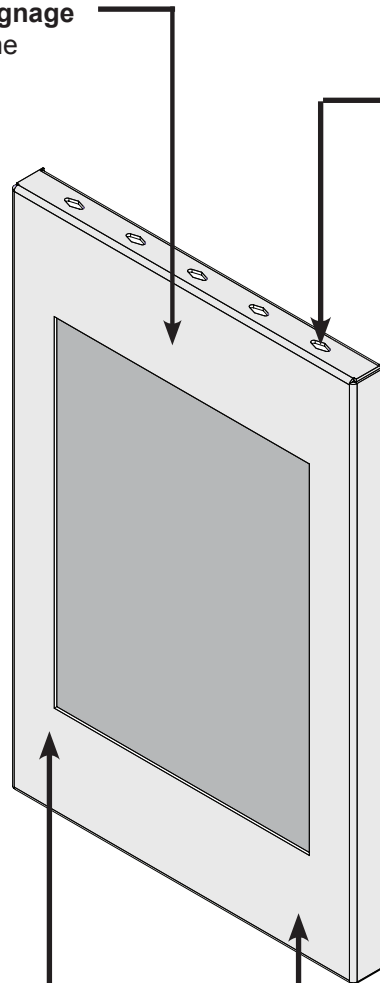
Illustrations in this manual show the IPM-700 cover, but the instructions apply to any IPM-700 Series cover.

**Perfect for Digital Signage**

Different types of frame covers for preventing unauthorized access

**Ventilation**

Openings at the top and bottom of the mount improve airflow



**Elegant Look**

Available in chrome, stainless steel, white and black finishes

**Easy Installation**

Use only two screws for a wood stud, or four screws for a drywall or concrete surface



## Installing to a Wall



**?** Are you installing the IPM-700 to a wood stud, or drywall or concrete?

If **Wood Stud**, continue to the “**Wood Stud Installation**” section below.

If **Drywall or Concrete**, go to the “**Drywall or Concrete Installation**” section on page 6.

### Wood Stud Installation

- 1 Cut or punch out the top and bottom middle screw holes on the paper template (marked “X”) (Figure 1).
- 2 Place the paper template at the desired location on the wood stud.

 You may install the back plate in portrait or landscape orientation. If portrait orientation, make sure the directional arrows on the paper template and back plate are facing up .

- 3 Mark where the top and bottom middle screw holes will be on the wall according to the paper template (Figure 2).
- 5 Remove the paper template.
- 6 Drill pilot holes at the marked locations using a 3/16" drill bit.
- 7 Place the back plate against the wall, making sure the screw holes align with the pilot holes.
- 8 Insert two (2) #10 x 2" wood screws into the middle screw holes to fasten the back plate to the wall (Figure 2).

Continue to the “**Installing the iPad™**” section on page 13.

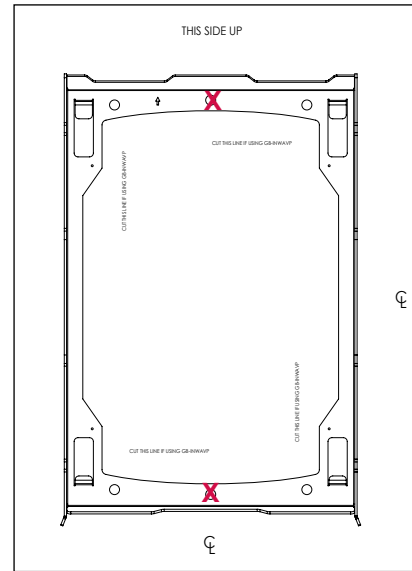


Figure 1

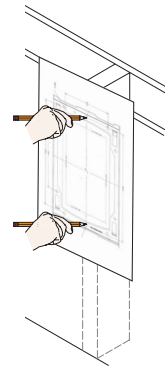


Figure 2

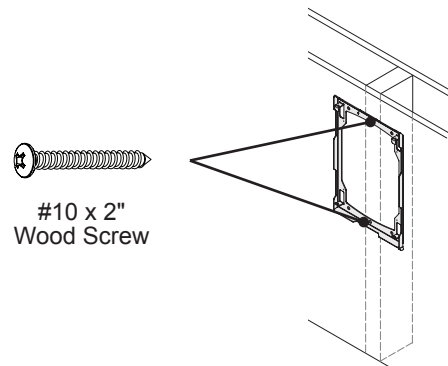


Figure 3



## Installing to a Wall (cont'd)

### Drywall or Concrete Installation



Are you installing the IPM-700 with a GB-INWAVP GearBox™ on a drywall surface?

If **Yes**, go to the “**With GB-INWAVP**” section on page 7.

If **No**, continue to the “**Without GB-INWAVP**” section below.



Do not use the IPM-700 Series with GB-INWAVP on concrete.

### Without GB-INWAVP

- 1 Cut or punch out the corner screw holes on the paper template (marked “X”) (Figure 1).
- 2 Place the paper template at the desired location on the drywall or concrete surface.



You may install the back plate in portrait or landscape orientation. If portrait orientation, make sure the directional arrows on the paper template and back plate are facing up ↑.

- 3 Mark where the corner screw holes will be on the wall according to the paper template (Figure 2).
- 4 Remove the paper template.
- 5 Drill pilot holes at the marked locations using a 3/16” drill bit.



For concrete installation, use a 3/16” concrete drill bit.

- 6 Insert four (4) #10 screw anchors into the four holes in the wall (Figure 3).



If necessary, use a hammer to lightly tap each screw anchor into the wall.

- 7 Place the back plate against the wall, making sure the corner screw holes align with the screw anchors.
- 8 Insert four (4) #10 x 1¼” wood screws into the corner screw holes to fasten the back plate to the wall (Figure 4).

Continue to the “**Installing the iPad™**” section on page 13.

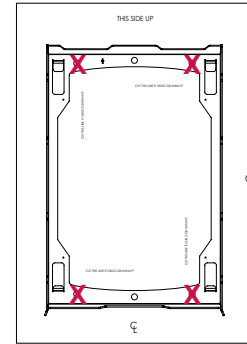


Figure 1

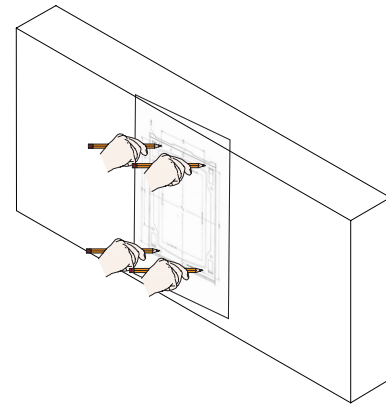


Figure 2

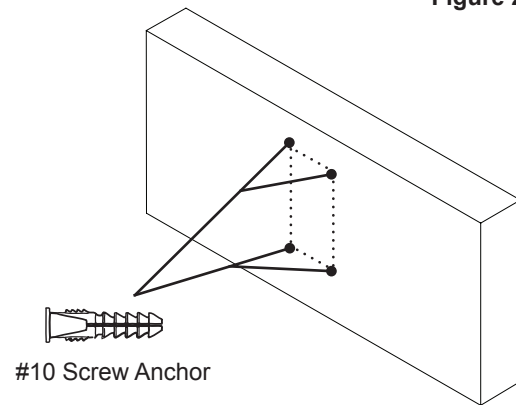


Figure 3

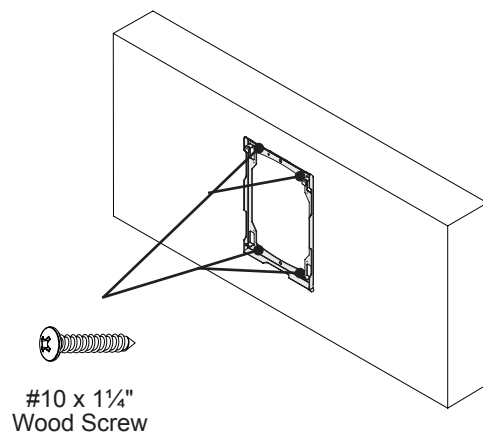


Figure 4



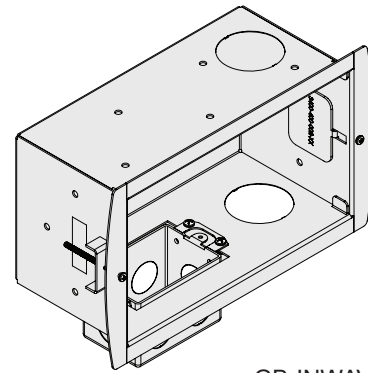
## Installing to a Wall (cont'd)

### With GB-INWAVP

If you are using the IPM-700 Series with Premier Mounts' In-Wall A/V and Power GearBox™ (GB-INWAVP) (sold separately), install the GB-INWAVP first.

Then install the IPM-700 Series mount over it for easy cable and accessory management.

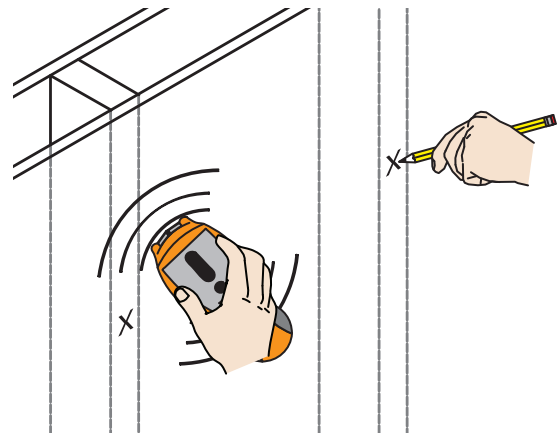
These instructions are for drywall installations only.



GB-INWAVP  
(sold separately)

### Step 1

- 1 Use an electronic stud finder to locate all wall studs in the area in which you intend to install the IPM-700 Series mount and the GB-INWAVP.
- 2 Use a pencil and lightly mark the location of each stud.






## Installing to a Wall (cont'd)

### Step 2

- 1 Cut a hole in the paper template where it says "CUT THIS LINE".
- 2 Cut or punch out the corner screw holes on the paper template (marked "X") (Figure 1).
- 3 Place the paper template at the desired location between the studs (Figure 2).

 You may install the back plate and GB-INWAVP in portrait or landscape orientation. If portrait orientation, make sure the directional arrows on the paper template and back plate are facing up ↑.

- 4 Trace the paper template's large cutout on the wall.
- 5 Mark where the corner screw holes will be on the wall according to the paper template.
- 6 Remove the paper template.

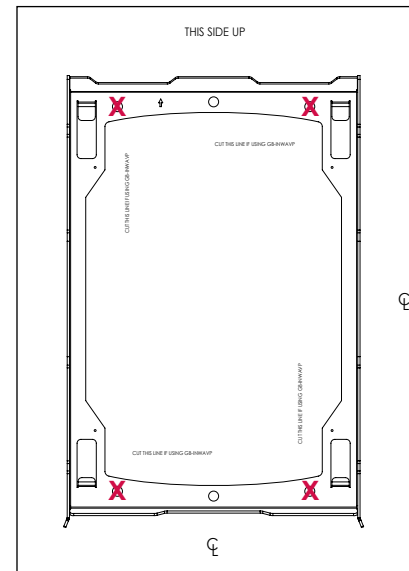


Figure 1

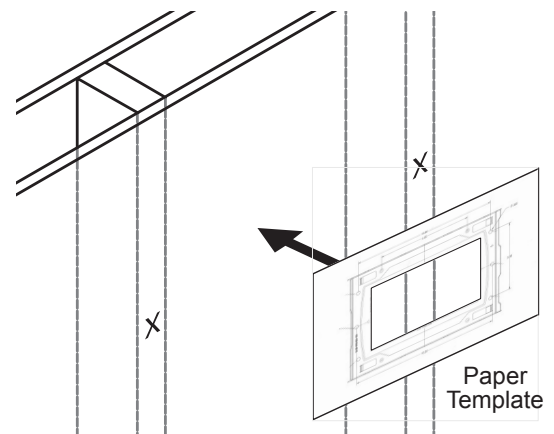


Figure 2






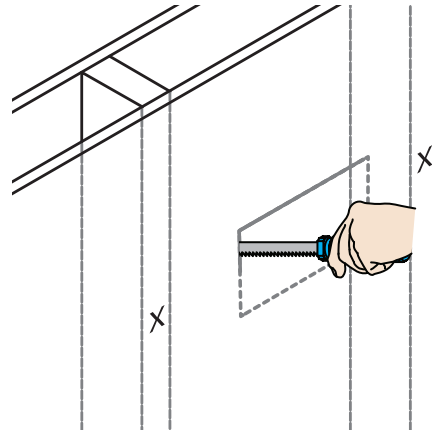
## Installing to a Wall (cont'd)

### Step 3

Use a drywall saw to remove the drywall in the area you marked in step 2 (Figure 3).

 Avoid cutting electrical wires, water pipes, or gas lines. Remove a small piece of drywall and use a flashlight to look around for these hazards in the area in which you will be cutting. Once you have located any hazards, proceed to carefully remove the rest of the drywall.


If you do locate any hazards, their presence may require you to relocate either the hazard or the GB-INWAVP. Consult a qualified professional prior to relocating electrical lines, gas lines, or water pipes.

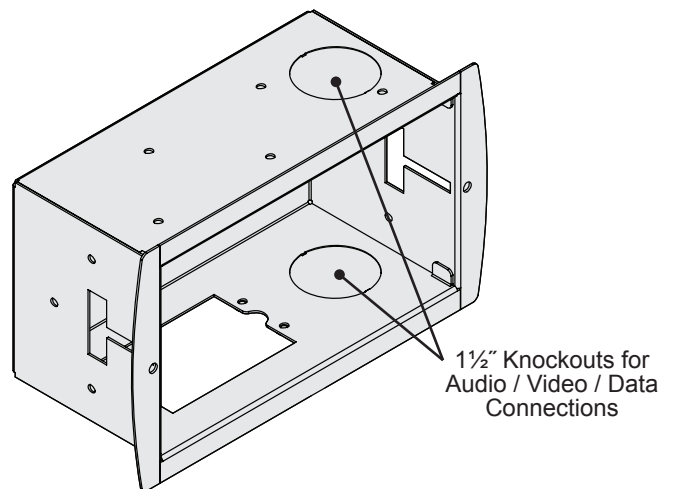


### Step 4

If you will be routing the audio, video, and/or data connections through the wall, remove the 1½" knockout.

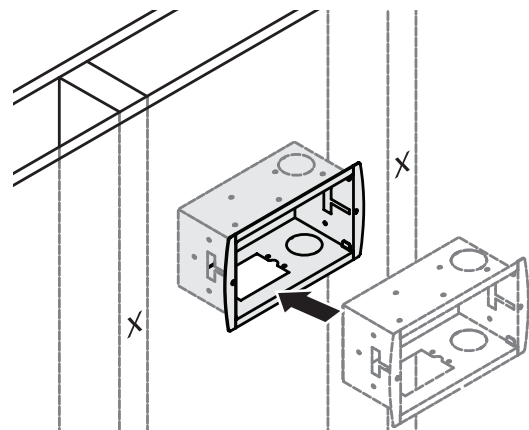
The 1½" knockout is easily removed by pressing hard with your thumbs on either side of the knockout, then twisting the knockout until it comes free.

 Watch for sharp edges.



### Step 5



Insert the GB-INWAVP into the cutout.



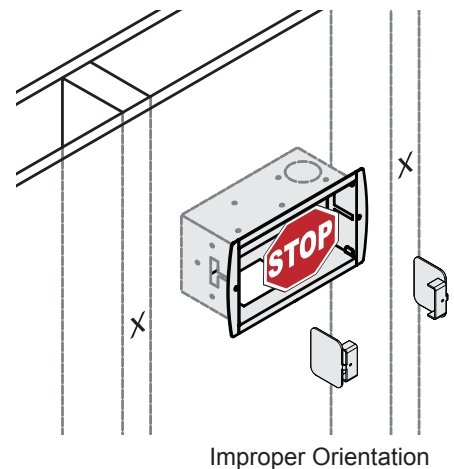
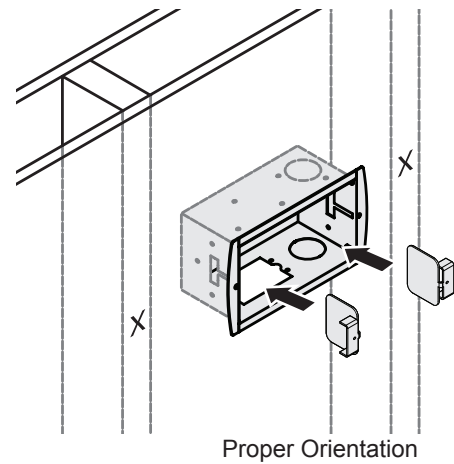
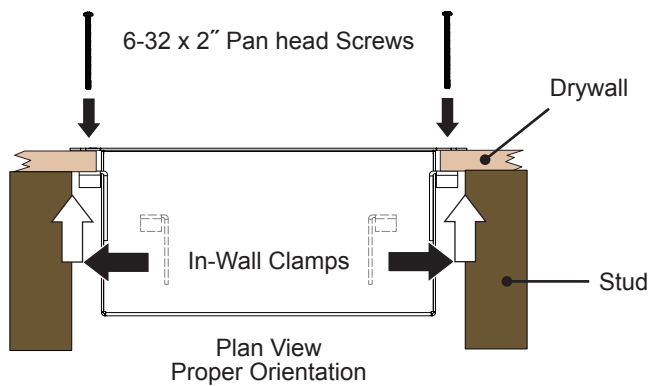


## Installing to a Wall (cont'd)

### Step 6

- 1 Insert one (1) in-wall clamp through the T-notch and pull it forward.
  - 2 Fasten with one (1) 6-32 x 2" pan head screw.
-  Do not overtighten the 6-32 x 2" pan head screw.
-  Note the proper orientation for the in-wall clamp.
- 3 Repeat steps 1 and 2 for the remaining in-wall clamp.




Continue to the **"Outlet Box Installation"** section on page 11.

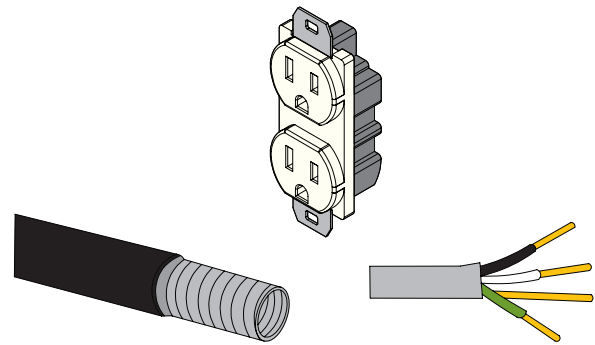




## Installing to a Wall (cont'd)

### Outlet Box Installation

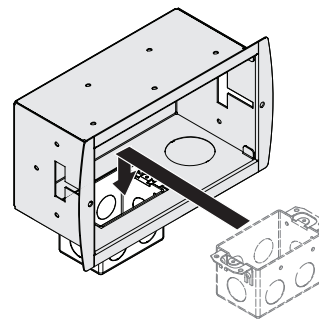
-  Installation of electrical power to your GB-INWAVP should be performed by a qualified professional electrician. Improper installation and handling of live electrical wires can result in property damage and severe personal injury.
-  The 110 volt duplex receptacle, flexible aluminum conduit, and electrical wiring are not included with your GB-INWAVP. You or your electrician can purchase these at your local hardware store or electrical supply shop.
-  The following steps presume that you have already run flexible aluminum conduit and electrical wiring up to your GB-INWAVP.



Not Included


### Step 1

- 1 Remove one of the 1/2" knockouts from the back of the Outlet Box.
- 2 Connect the flexible aluminum conduit using commercially available conduit connectors most appropriate for your specific installation.
- 3 Install a 110 volt duplex receptacle into the Outlet Box.
- 4 Place the Outlet Box into your GB-INWAVP.

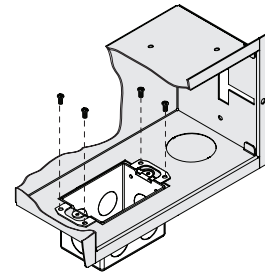


### Step 2

Secure the Outlet Box to your GB-INWAVP using four (4) 6-32 x 1/2" screws.


-  Do not overtighten the 6-32 x 1/2" screws.

Proceed to the "Installing the Cable Bushings" section below.



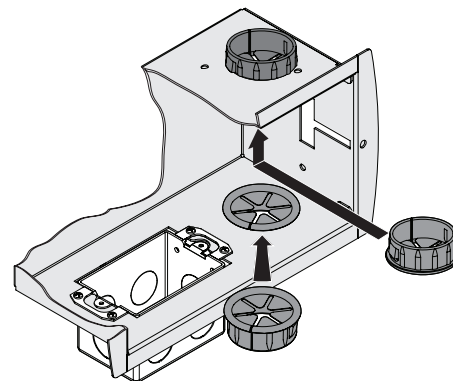
### Installing the Cable Bushings

The knockouts for your audio / video / data cables should already be removed. If you have not removed them yet, press hard with your fingertips on either side of the knockouts, then twist the knockout until they come free.

-  Watch for sharp edges!

- 1 Install the cable bushings gently pressing them into the knockout holes.
- 2 Run your audio, video, and data cables through the cable bushings.



Continue to the "Installing the IPM-700 Series Over the GB-INWAVP" section on page 12.





## Installing to a Wall (cont'd)

### Installing the IPM-700 Series Over the GB-INWAVP

- 1 Drill pilot holes at the marked locations using a 3/16" drill bit.
  - 2 Insert four (4) #10 screw anchors into the four holes in the wall (Figure 1).
-  If necessary, use a hammer to lightly tap each screw anchor into the wall.
- 3 Place the back plate against the wall, making sure the corner screw holes align with the screw anchors.
-  If you are using portrait orientation, make sure the directional arrow on the back plate is facing up ↑.
- 4 Insert four (4) #10 x 1 1/4" wood screws into the corner screw holes to fasten the back plate to the wall (Figure 2).

Continue to the "Installing the iPad™" section on page 13.

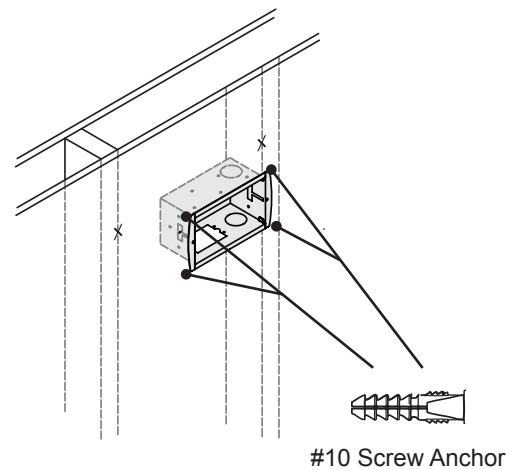


Figure 1

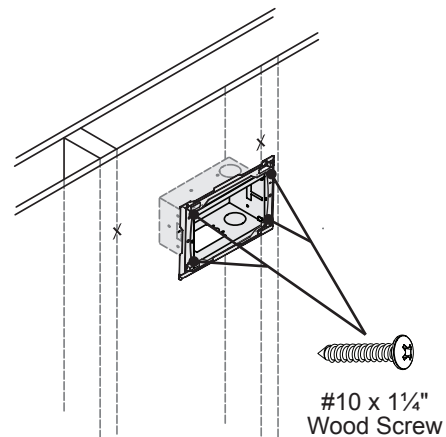


Figure 2



## Installing the iPad™



If you are using an iPad2™, attach two (2) rubber edge trims to the long tabs of the back plate as shown (Figure 1).

Then attach four (4) adhesive-backed bumpers to the notches on the back plate (Figure 2).

- 1 Place the iPad™ on the back plate by easing it against the top brackets, then the bottom brackets (Figure 3).
- 2 Center the iPad™ on the back plate.
- 3 Insert two (2) M3 x 12mm nylon pan head screws into the top brackets, then tighten them against the iPad™ to secure it inside the back plate (Figure 4).

Continue to the “Attaching the Cover” section on page 14.

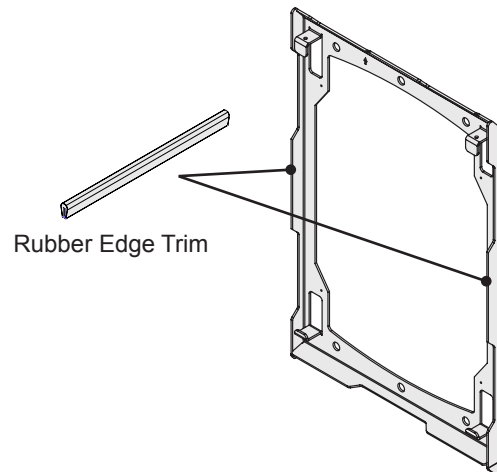


Figure 1

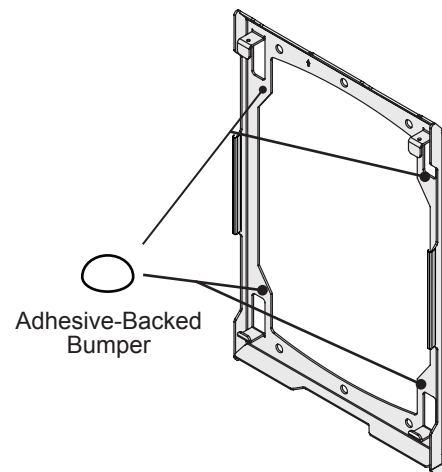


Figure 2

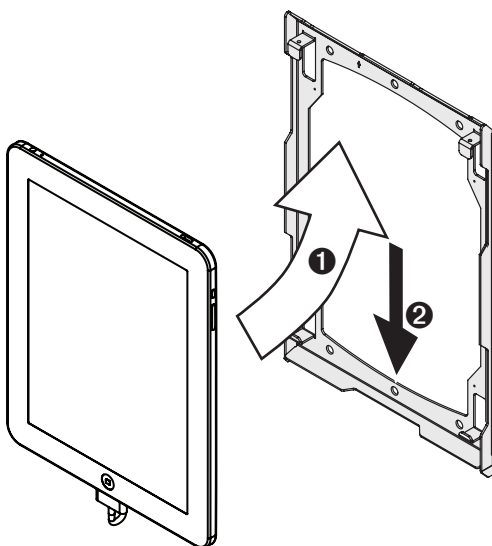


Figure 3

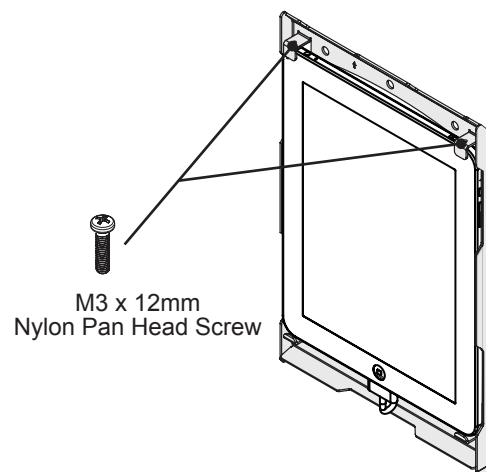
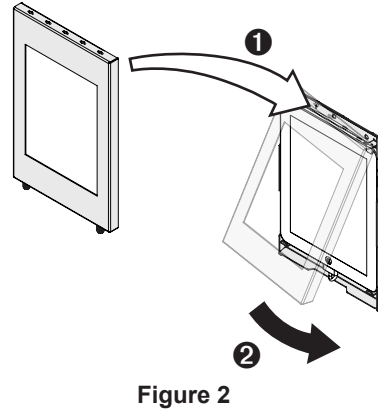
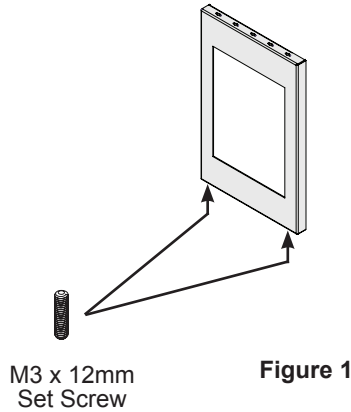


Figure 4



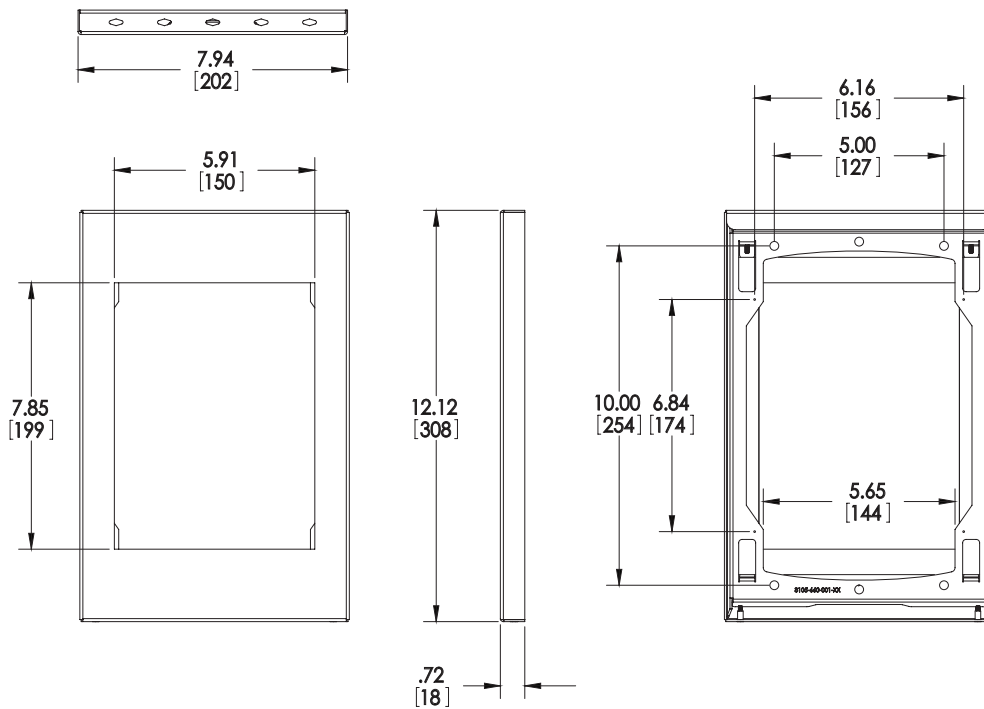
### Attaching the Cover

- 1 Use your fingers to pre-install two (2) M3 x 12mm set screws to the bottom of the front plate (Figure 1).
- 2 Hook the front plate over the top of the back plate, then ease it over the bottom of the back plate (Figure 2).
- 3 Use the M1.5 Allen wrench to tighten the set screws.



### Technical Specifications

All measurements are in inches [millimeters].



**PREMIER MOUNTS  
LIMITED LIFETIME WARRANTY****What and Who is Covered by this Limited Warranty and for How Long**

Premier Mounts warrants this product to be free from defects in material and workmanship for the lifetime of the original owner of this product. The limited warranty is valid only for the original purchaser of the product.

**What Premier Mounts Will Do**

At the sole option of Premier Mounts, Premier Mounts will repair or replace any product or product part that is defective. If Premier Mounts chooses to replace a defective product or part, a replacement product or part will be shipped to you at no charge, but you must pay any labor costs.

**What is Not Covered; Limitations**

PREMIER MOUNTS DISCLAIMS ANY LIABILITY FOR DAMAGE TO MOUNTS, ADAPTERS, DISPLAYS, PROJECTORS, OTHER PROPERTY, OR PERSONAL INJURY RESULTING, IN WHOLE OR IN PART, FROM IMPROPER INSTALLATION, MODIFICATION, USE OR MISUSE OF ITS PRODUCTS.

PREMIER MOUNTS DISCLAIMS ALL OTHER WARRANTIES, EXPRESS OR IMPLIED, INCLUDING WARRANTIES OF MERCHANTABILITY AND FITNESS FOR A PARTICULAR PURPOSE. PREMIER MOUNTS IS NOT RESPONSIBLE FOR INCIDENTAL OR CONSEQUENTIAL DAMAGES, INCLUDING BUT NOT LIMITED TO, INABILITY TO USE ITS PRODUCTS OR LABOR COSTS FOR REMOVING AND REPLACING DEFECTIVE PRODUCTS OR PARTS. SOME STATES DO NOT ALLOW THE EXCLUSION OR LIMITATION OF INCIDENTAL OR CONSEQUENTIAL DAMAGES, SO THE ABOVE LIMITATION OR EXCLUSION MAY NOT APPLY TO YOU.

**What Customers Must Do for Limited Warranty Service**

If you discover a problem that you think may be covered by the warranty you MUST REPORT it in writing to the address below within thirty (30) days. Proof of purchase (an original sales receipt) from the original consumer purchaser must accompany all warranty claims. Warranty claims must also include a description of the problem, the purchaser's name, address, and telephone number. General inquiries can be addressed to Premier Mounts Customer Service at 1-800-368-9700. Warranty claims will not be accepted over the phone or by fax.

Premier Mounts  
Attn: Warranty Claim  
3130 East Miraloma Ave.  
Anaheim, CA 92806

**How State Law Applies**

THIS WARRANTY GIVES YOU SPECIFIC LEGAL RIGHTS, AND YOU MAY ALSO HAVE OTHER RIGHTS WHICH VARY FROM STATE TO STATE.

**Disclaimer**

Premier Mounts intends to make this manual accurate and complete. However, Premier Mounts makes no claim that the information contained herein covers all details, conditions or variations, nor does it provide for every possible contingency in connection with the installation or use of this product. The information contained in this document is subject to change without notice or obligation of any kind. Premier Mounts makes no representation of warranty, expressed or implied, regarding the information contained herein. Premier Mounts assumes no responsibility for accuracy, completeness or sufficiency of the information contained in this document.

**Contact Us****NORTH AMERICA**

3130 East Miraloma Avenue  
Anaheim, CA 92806 USA  
USA and Canada  
Phone: 1-800-368-9700  
Fax: 1-800-832-4888  
Other Locations  
Phone: (001) 714-632-7100  
Fax: (001) 714-632-1044

**EUROPE**

Unit 3, The Moorings Business Park,  
Channel Way, Longford,  
Coventry, CV6 6RH, UK  
Phone: +44 (0) 24 7664 4105  
Fax: +44 (0) 24 7664 4165