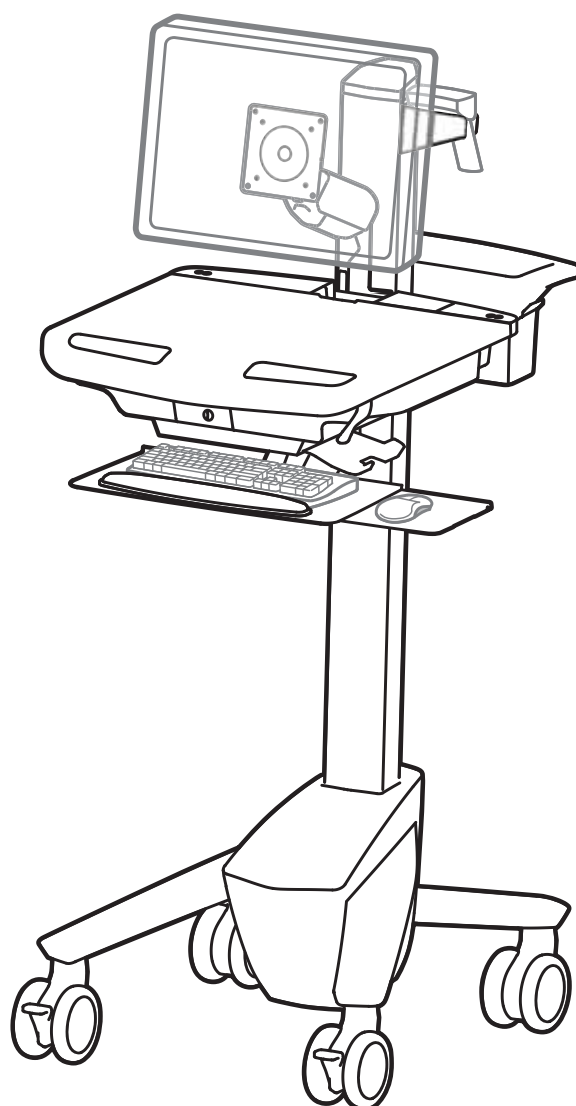



# ergotron®

## StyleView® SV41 Electronic Medical Records (EMR Cart) with LCD Arm



Features & Specifications .....	2 - 3
Set-up .....	3 - 13
Adjustment .....	12 - 13
Ergonomics .....	13
Maintenance & Safety .....	14 - 15
Dimensions .....	16

 Please review this manual before installing your equipment to learn how to use this product safely.



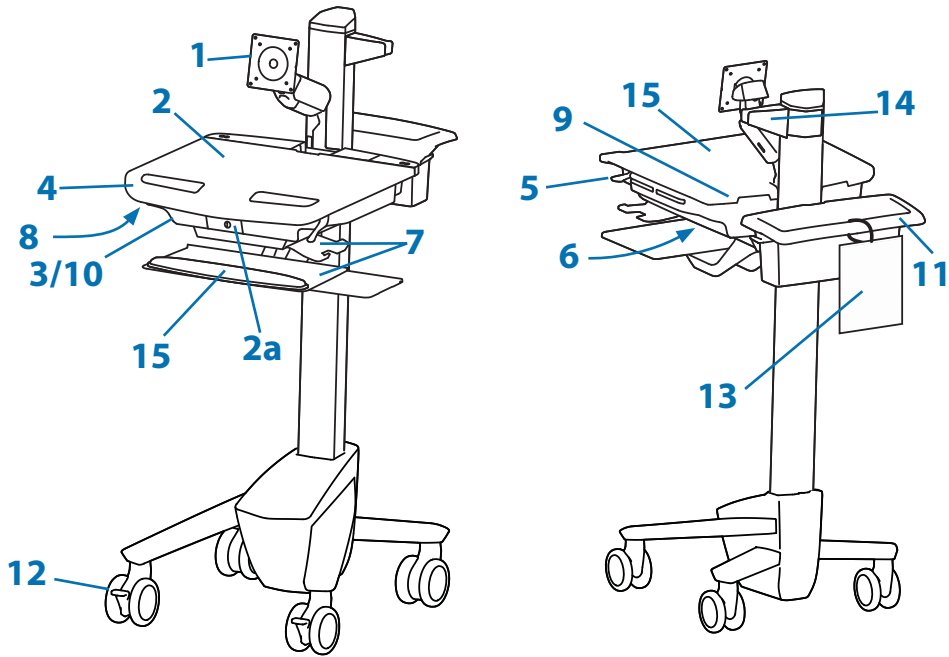
**English**

For the latest User Installation Guide please visit: [www.ergotron.com](http://www.ergotron.com)

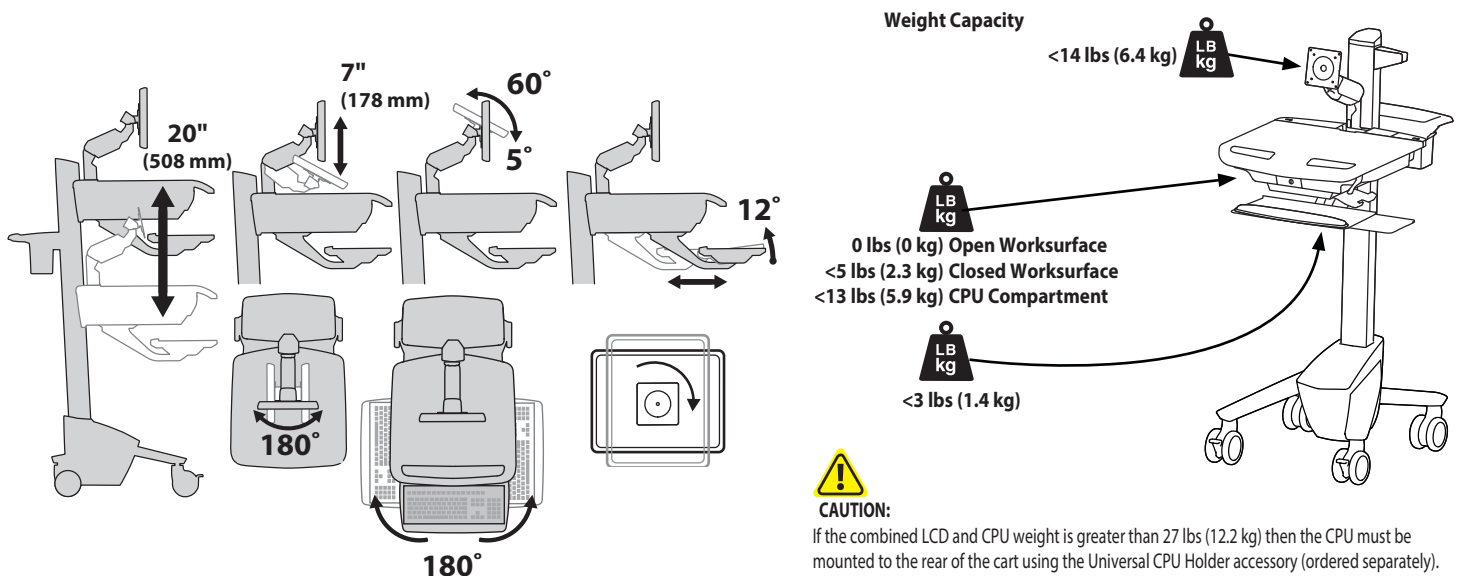
English, Español, Français, Deutsch, Nederlands, Italiano, Svenska, 日本語, 汉语

[www.ergotron.com](http://www.ergotron.com) | USA: 1-800-888-8458 | Europe: +31 (0)33-45 45 600 | China: 400-120-3051 | Japan: [japansupport@ergotron.com](mailto:japansupport@ergotron.com)

## Features & Specifications



1. Height Adjustable LCD Mount attaches LCDs or tablet PC's with 75x75 or 100x100mm mounting interface
2. Worksurface 2a. Worksurface Lock and Release
3. Secure Storage for Laptop, Thin Client or CPU
4. Front Handle
5. Height Adjustment Brake Handle
6. USB Hub connects keyboard and mouse USB cables
7. Keyboard tray slides out, tilts and allows for right or left mousing with attached mouse holder
8. Keyboard Light under Front Handle
9. Keyboard Light Switch
10. Cable Management and Storage for excess cables and power supplies
11. Storage Basket and Rear Handle
12. Front Locking Casters
13. Quick Reference Card
14. Scanner Holder
15. Antimicrobial coating on worksurface and wrist rest



## Features & Specifications

**WARNING**  
**AVERTISSEMENT**

**IMPACT HAZARD!**  
**MOVING PARTS CAN CRUSH AND CUT.**  
 Failure to heed this warning may result in serious personal injury or property damage!  
 Minimize Lift Tension BEFORE:  
 Removing Mounted Equipment, Shipping Cart, Storing Cart.

**DANGER D'IMPACT!**  
**LES PARTIES EN MOUVEMENT PEUVENT ÉCRASER ET COUPER.**  
 Il existe un risque de blessure corporelle ou d'endommagement matériel en cas de non respect de cet avertissement.  
 Minimisez la tension d'élévation AVANT :  
 de retirer l'équipement fixé, d'expédier le chariot, de stocker le chariot

**www.ergotron.com**

826-501

This Class A digital apparatus complies with Canadian ICES-003.  
 Cet appareil numérique de la classe A est conforme à la norme NMB-003 du Canada.

### FCC Compliance Statement

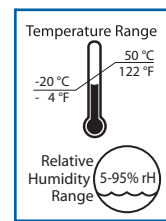
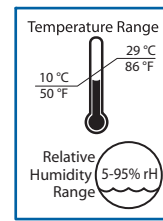
The cart has been tested and found to comply with the limits for a Class A digital device, pursuant to part 15 of the FCC Rules. These limits are designed to provide reasonable protection against harmful interference when the equipment is operated in a commercial environment. This equipment generates, uses, and can radiate radio frequency energy and, if not installed and used in accordance with the instruction manual, may cause harmful interference to radio communications. Operation of this equipment in a residential area is likely to cause harmful interference in which case the user will be required to correct the interference at his own expense.

**Changes or modifications not expressly approved by Ergotron, Inc. could void the user's authority to operate the equipment.**

Please contact Ergotron for complete EMC compatibility information.



**IMPORTANT!** This product will need tension adjustments once installation is complete. Make sure all equipment is properly installed on the product before attempting range of motion or tension adjustments. Any time equipment is added or changed on this product resulting in a different mounted weight, you should repeat the adjustment steps to ensure safe and optimum operation. This product should move smoothly and easily through the full range of motion and stay where you set it. If movement is difficult or the product does not stay where you set it, follow the adjustment instructions to loosen or tighten the tension to create a smooth, easy motion. Depending on your product and the adjustment, it may take many turns to notice a difference.

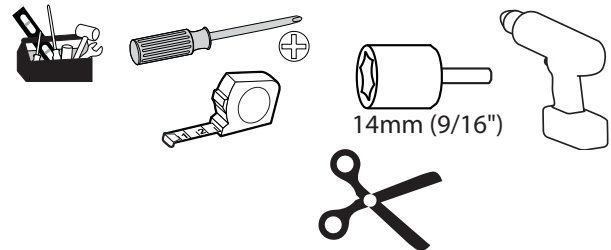


## Set-up

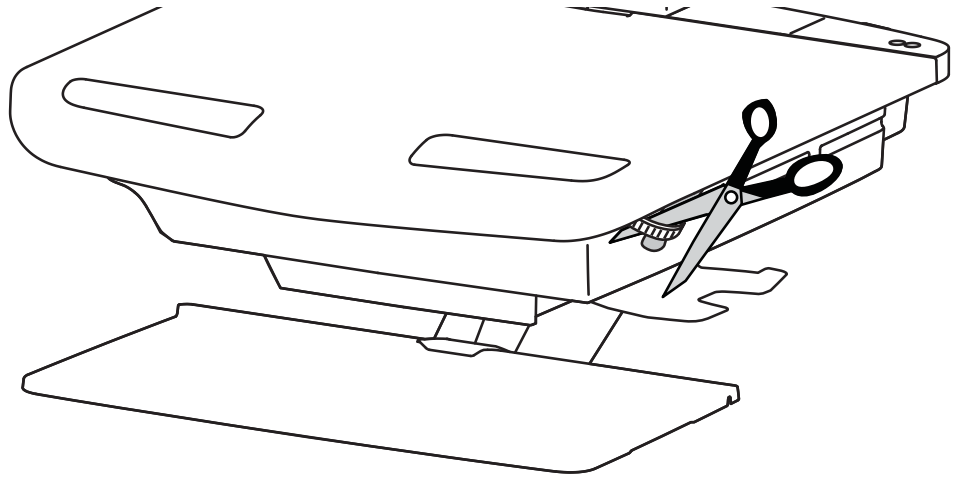
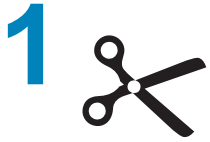
### Components

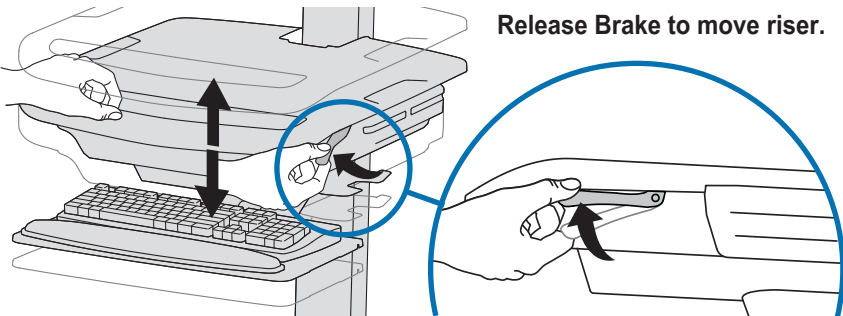
	A	B
1	1x	4x  2x
2	1x  1x	2x
3	1x  M4 x 5mm	
4	4x  M4 x 10mm 8x  M4 x 10mm	1x  2x
5	1x  2x  M3.5 x 6mm	1x
6	4x  1x  1x	1x  M4 x 8mm
7	1x  5mm	1x  3mm
8	1x	1x  1x
9	1x  1x  M4 x 8mm	2x  M4 x 12mm


### Tools Needed



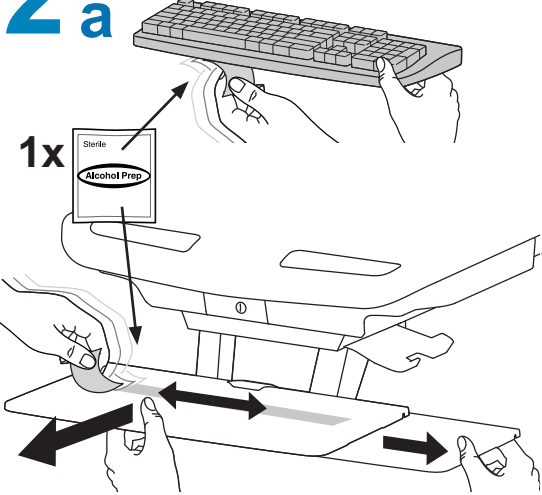

Set-up




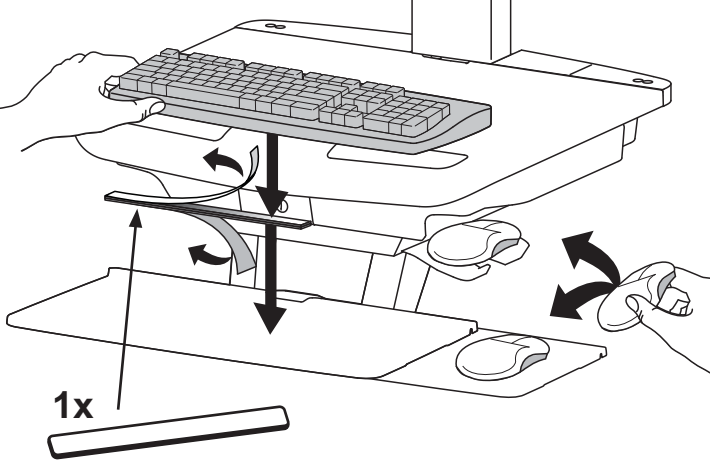

 Release Brake to move riser.

 **CAUTION!** Completely release brake engagement before raising or lowering the cart. Raising or lowering the cart with the brake partially engaged may cause product damage.

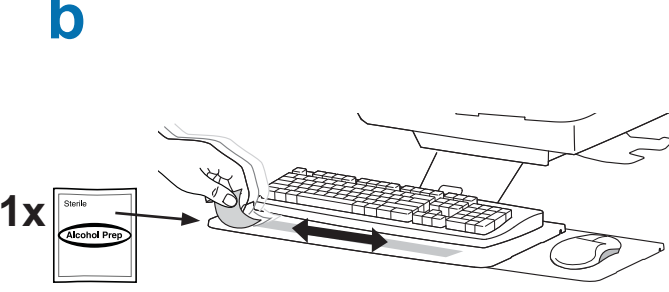

2 a


 1x 

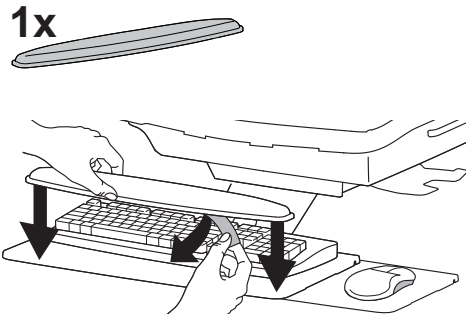
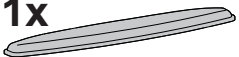
 60

 1x 

b

 1x 

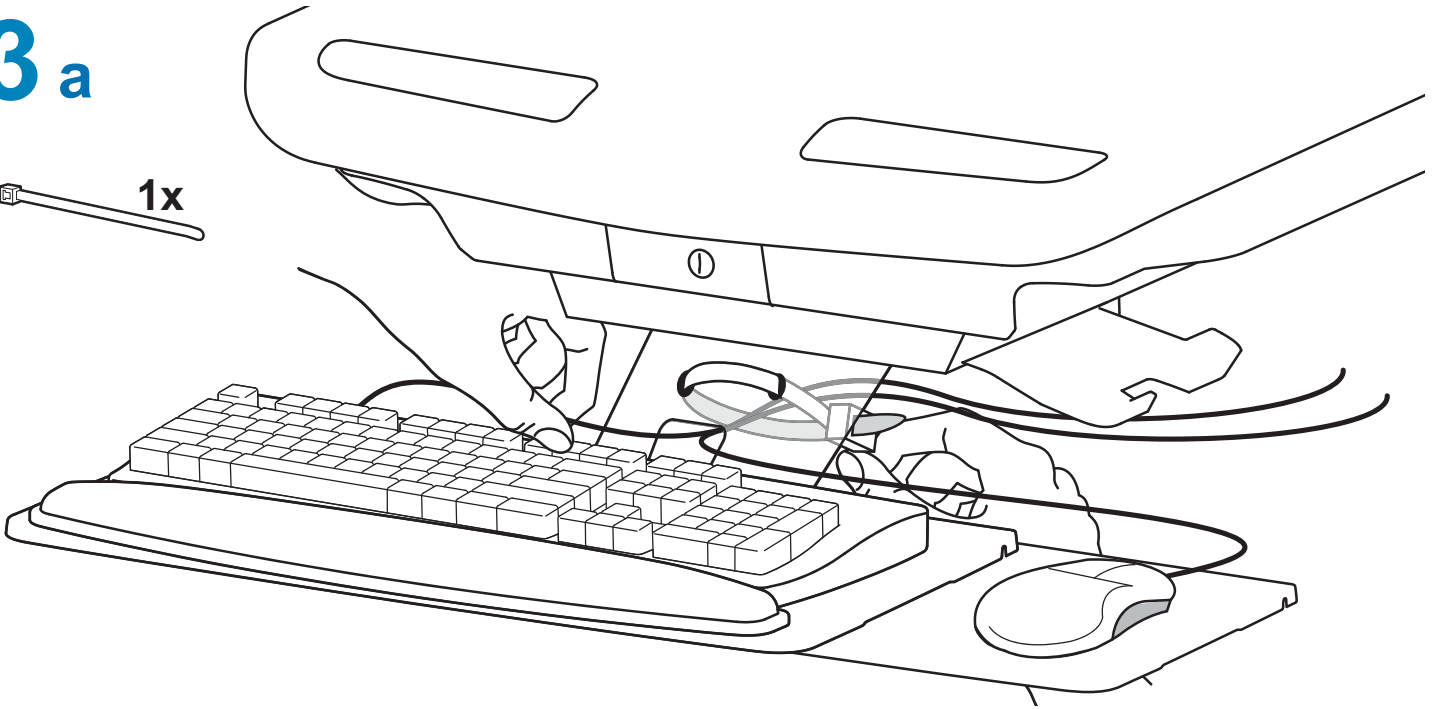
 60

 1x 

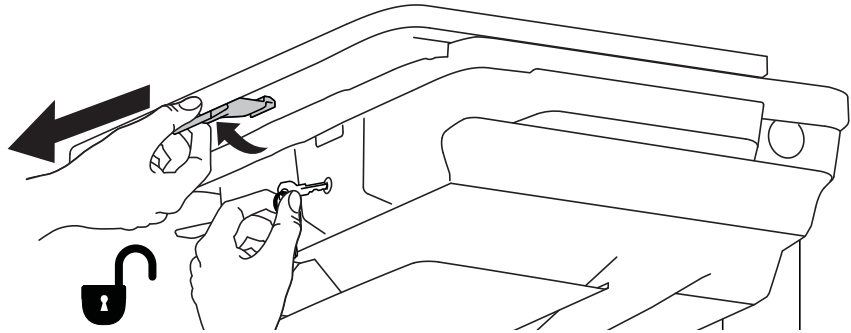
Set-up

# 3 a

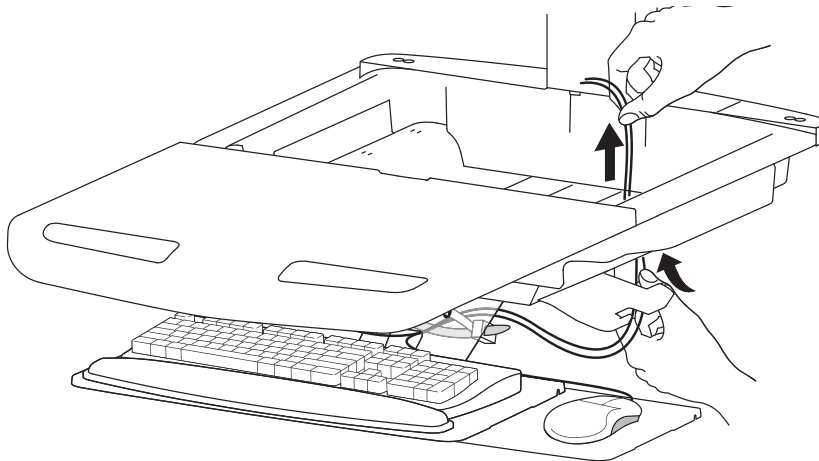
1x



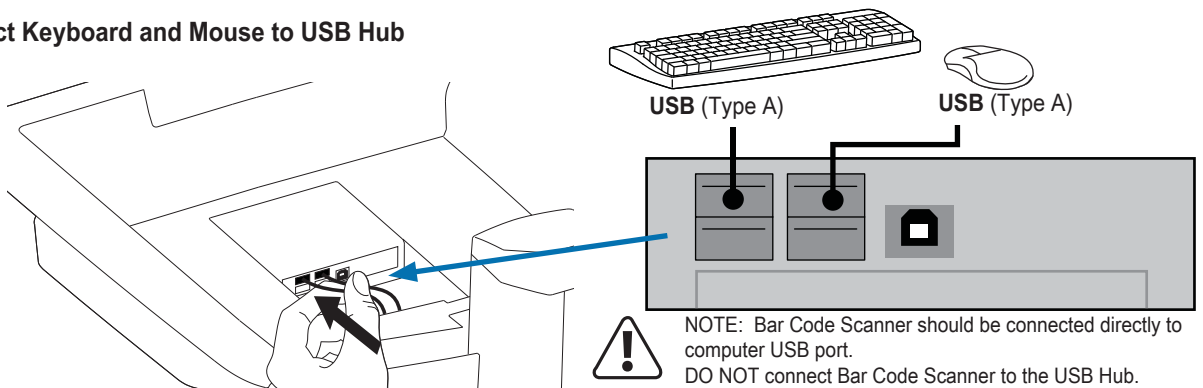
## b

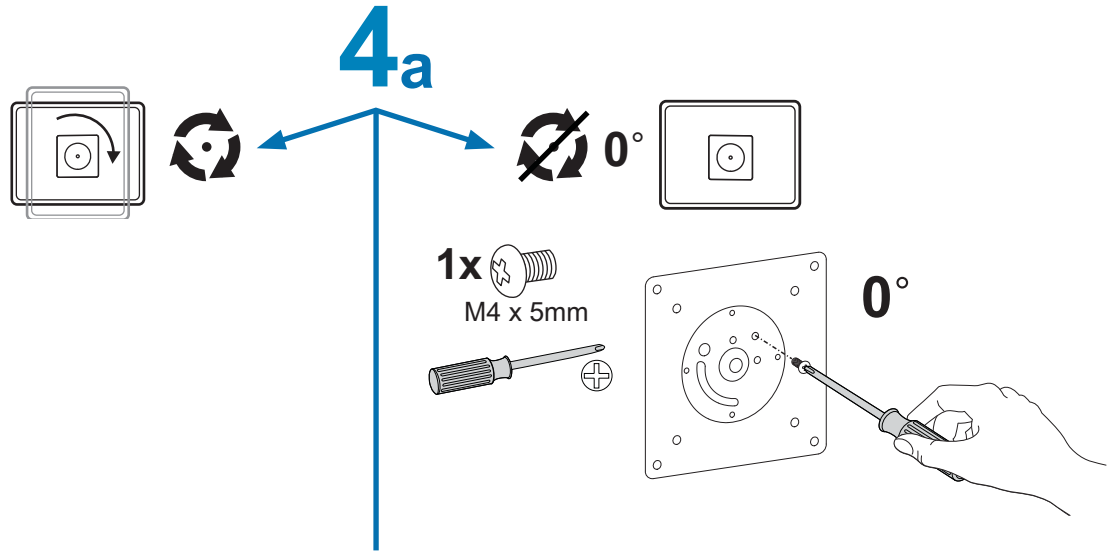


## c

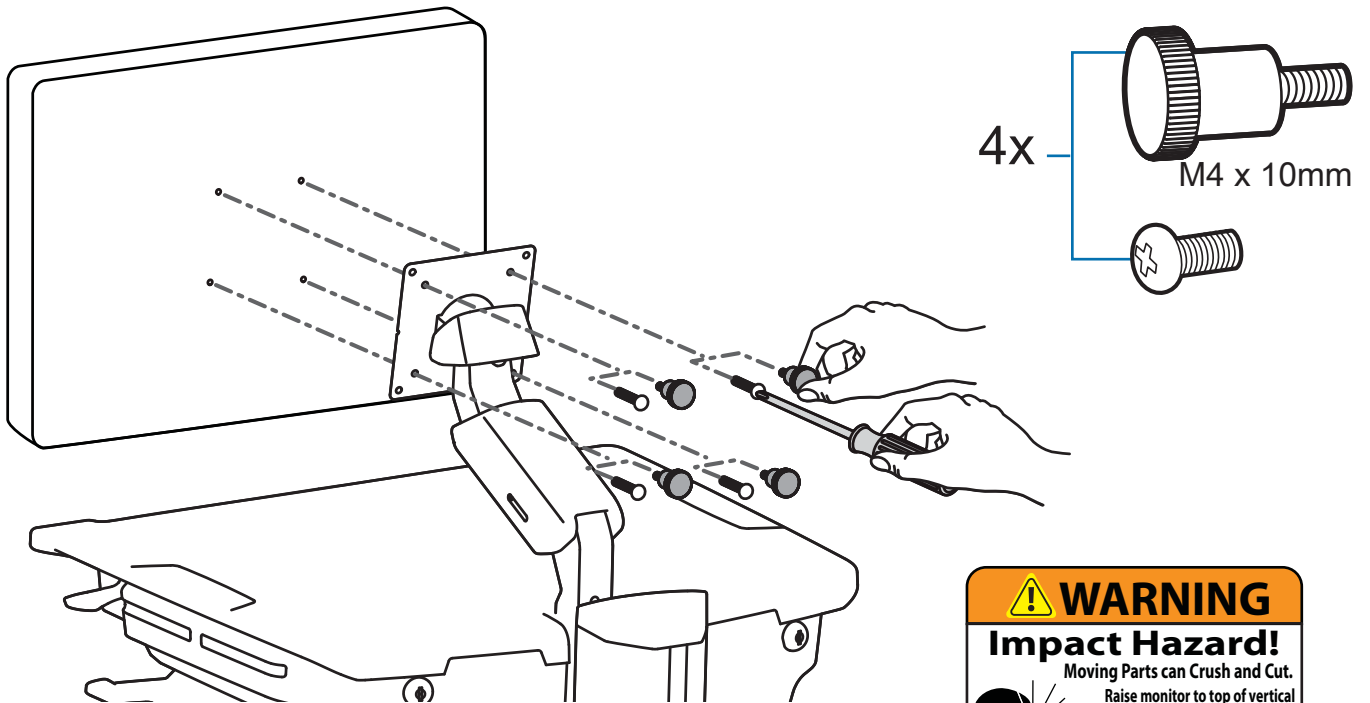


## d Connect Keyboard and Mouse to USB Hub





**b** 75x75mm / 100x100mm

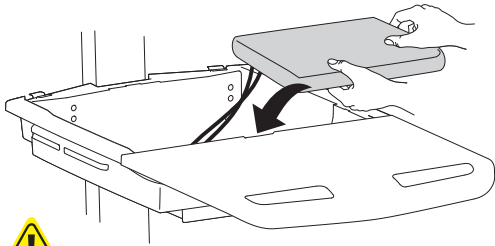


**⚠ WARNING**  
**Impact Hazard!**  
Moving Parts can Crush and Cut.  
Raise monitor to top of vertical adjustment BEFORE removing.  
Failure to heed this warning may result in serious personal injury or property damage!

822-311

## Set-up

- 5** Place computer and AC power adaptors in compartment. Do not place power bricks near computer or compartment air vents.



**DO NOT OBSTRUCT AIR VENTS!**  
Obstructing air vents may cause overheating and result in equipment damage.

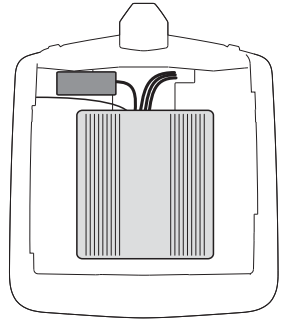
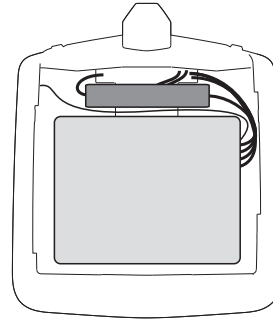


### Placement of computer's in Secure Storage Area: Center computer in storage area.

To increase space and improve airflow, power brick may be stored under the storage area.

USFF (Ultra Small Form Factor)

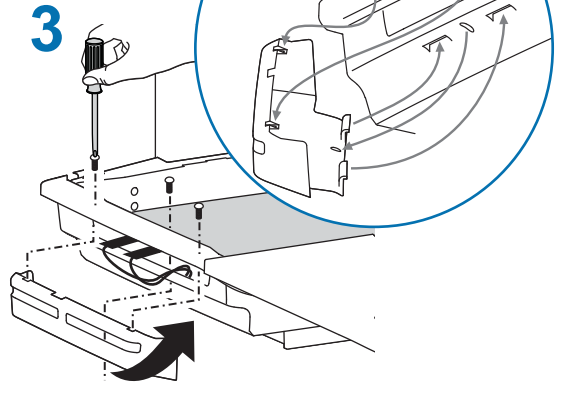
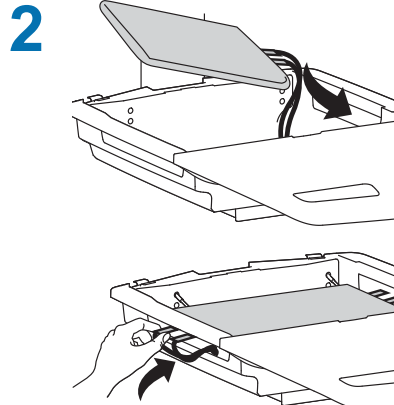
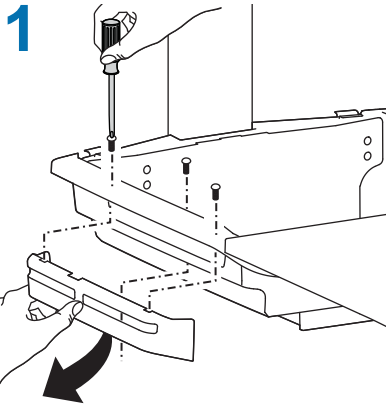
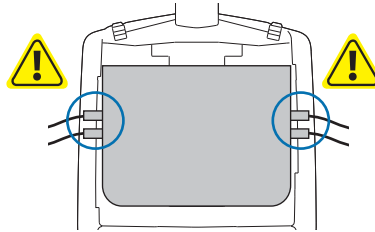
Thin Client



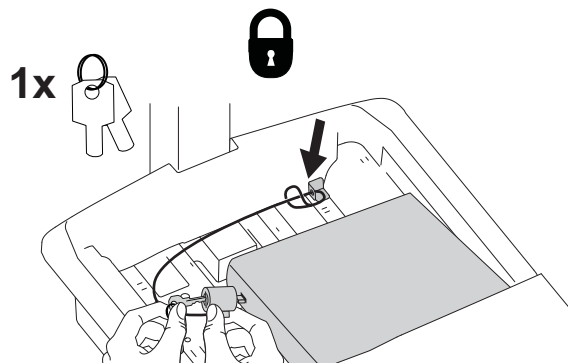
There are 5 options for mounting your computer into the secure storage area.

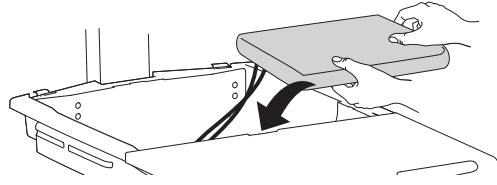
### Option 1

If computer with cables is too wide, then follow these instructions.

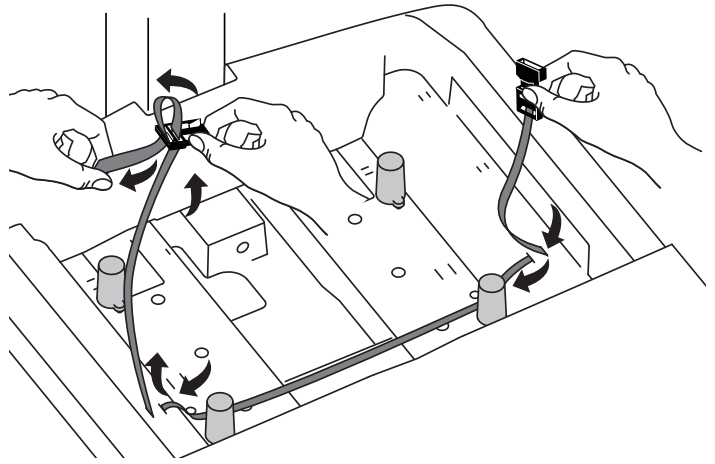
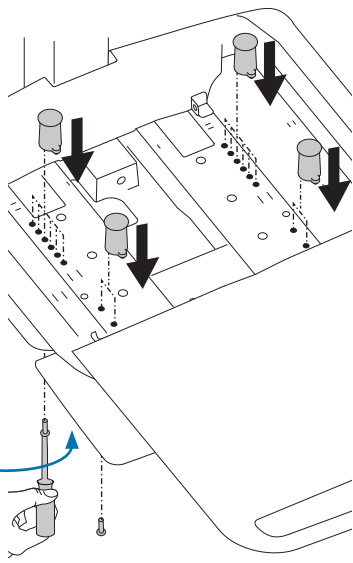
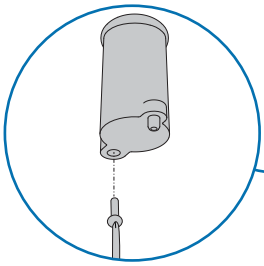
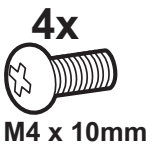
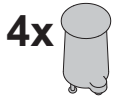
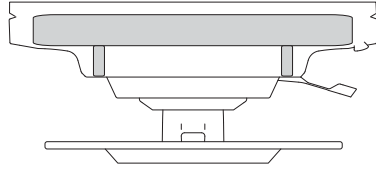


### Option 2

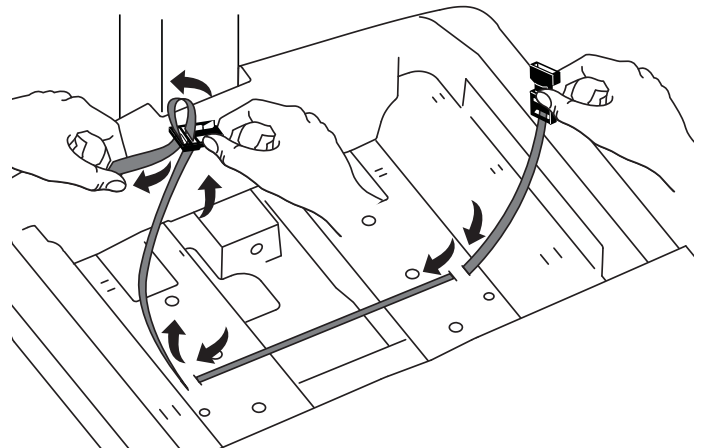
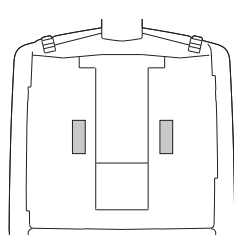
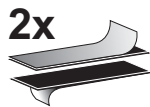
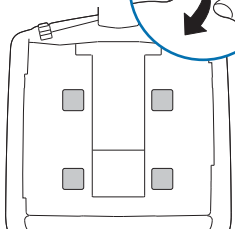
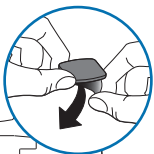
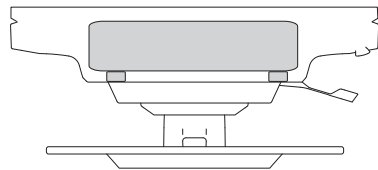




### Option 3

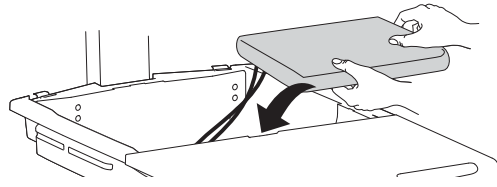


### Option 4



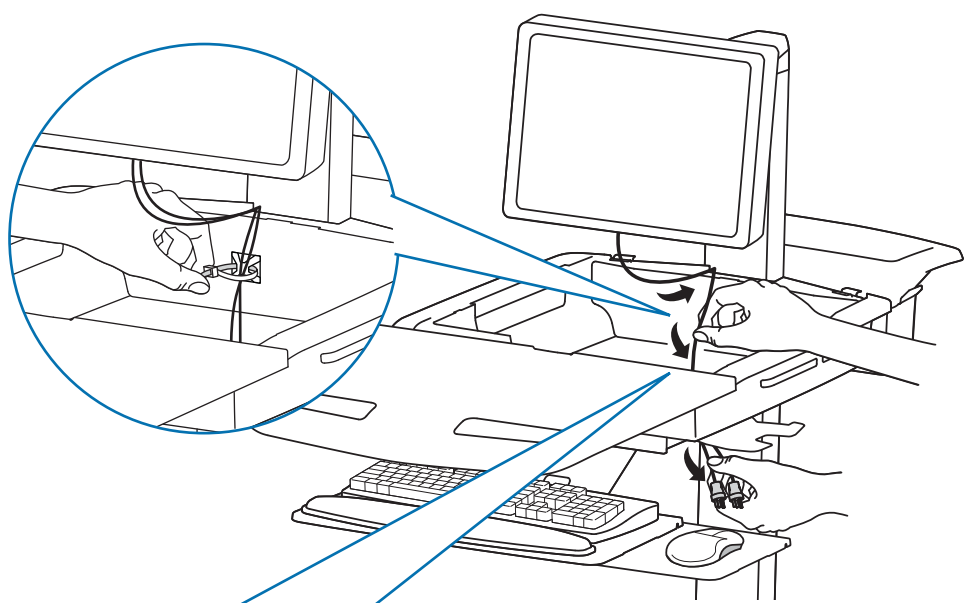
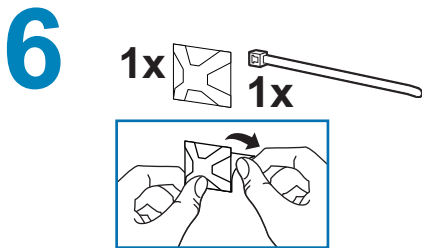
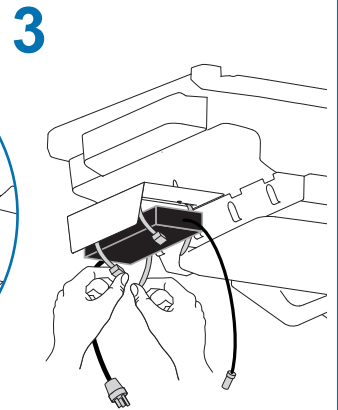
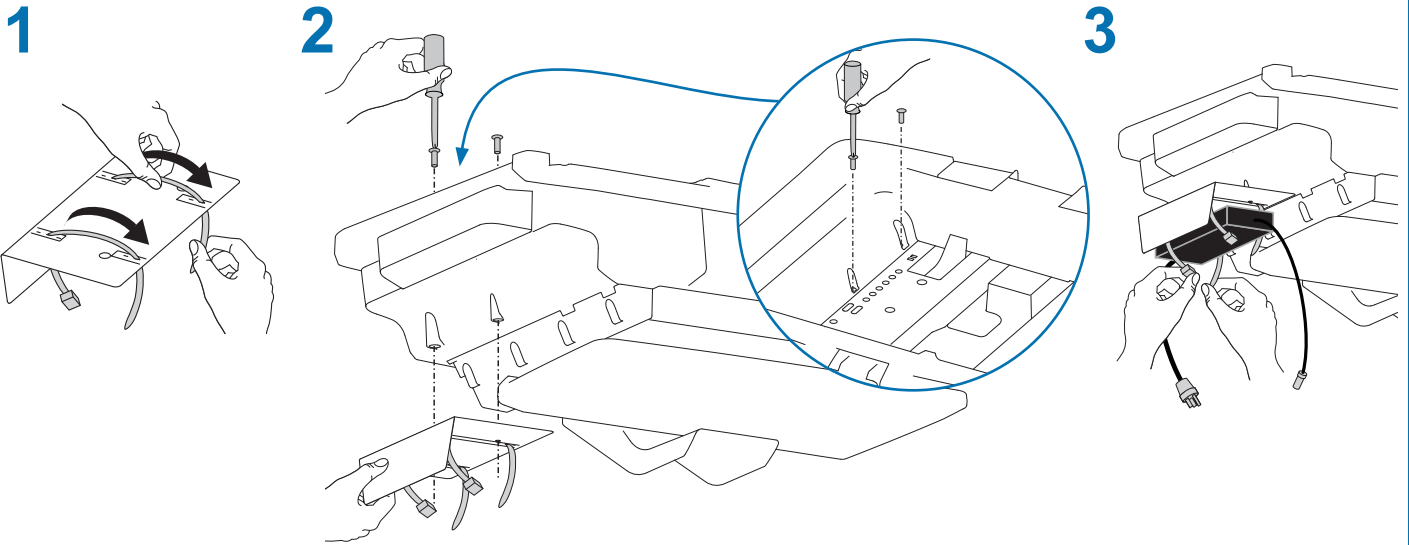


## Set-up

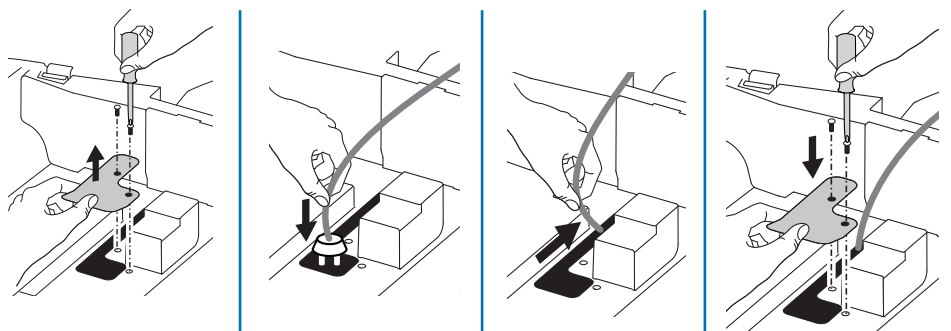


### Option 5

To increase space and improve airflow, power brick may be stored under the storage area.



**WARNING!** DO NOT OPERATE WITHOUT GUARD IN PLACE. Only remove guard when routing a cable with a large connector through the bottom of the compartment. Replace guard immediately after routing cable. Failure to replace guard may result in equipment damage and or personal injury.



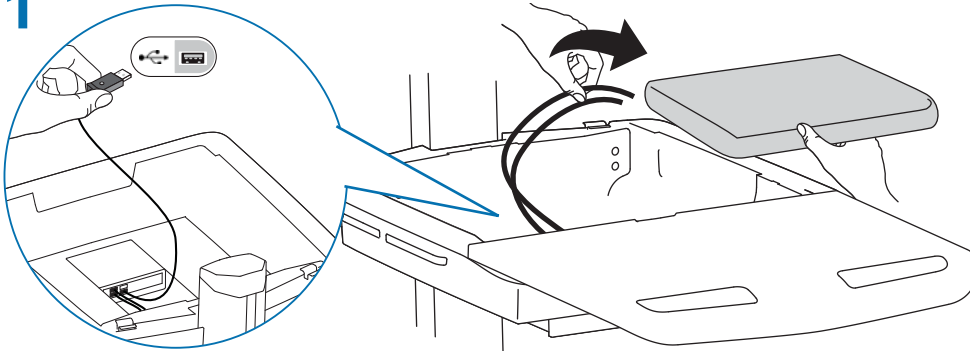
## Set-up

# 7

Plug the following factory connected cables into your computer.

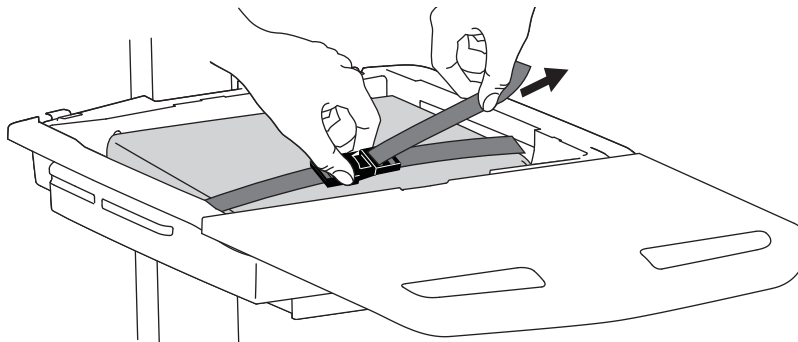
USB: This cable runs from the USB Hub to your computer and uses your computer to power the USB Hub, Keyboard Lights and Fan. (NOTE: Your computer must be turned on for the USB Hub, Keyboard Lights and Fan to function).

# 1

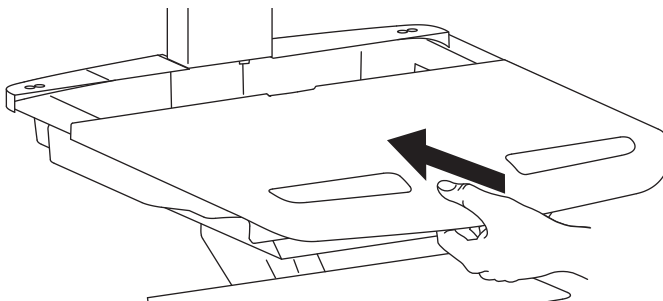


**WARNING:** Fan must always be running when computer is on. Operating computer without fan may lead to overheating, resulting in reduced equipment performance.

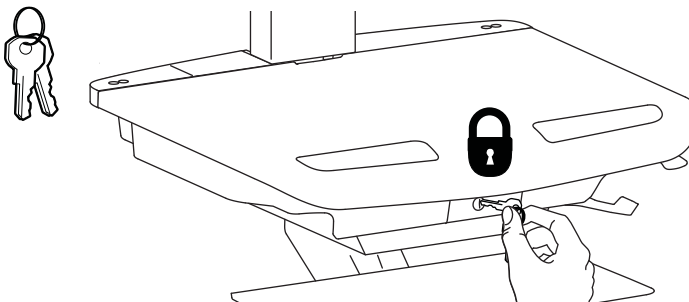
# 2



# 3

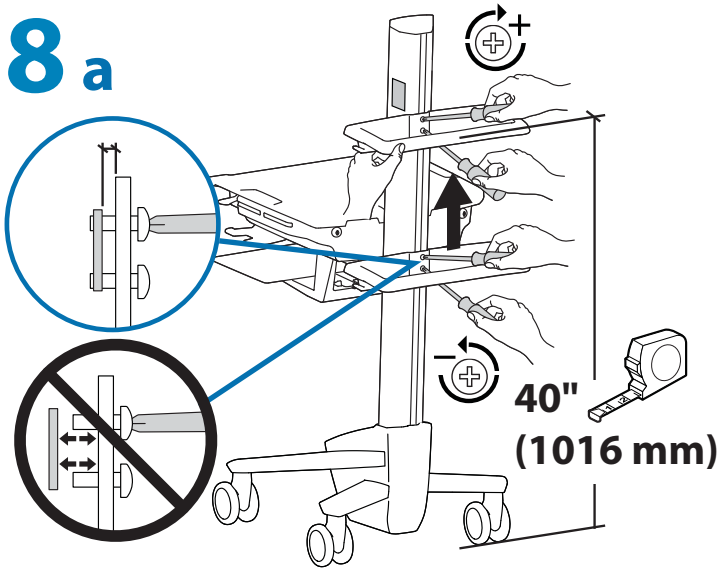


# 4

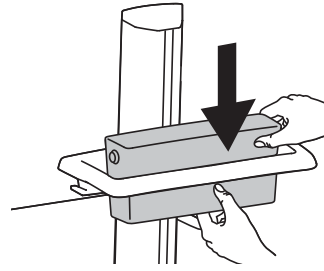


Set-up

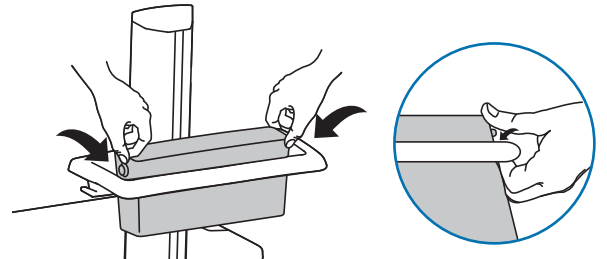
8 a



b

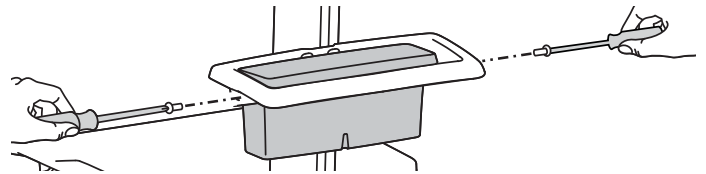


c



d

2x  M3.5 x 6mm

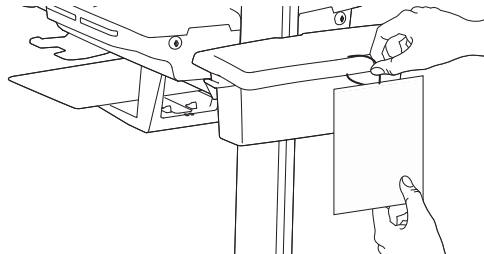


9

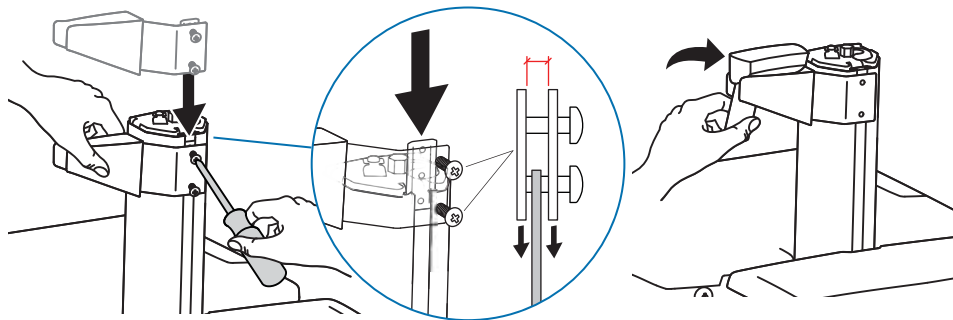
1x



1x



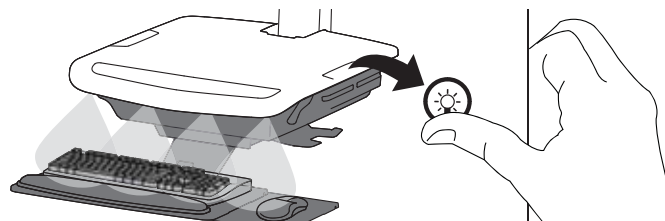
10



11

**Keyboard Light**

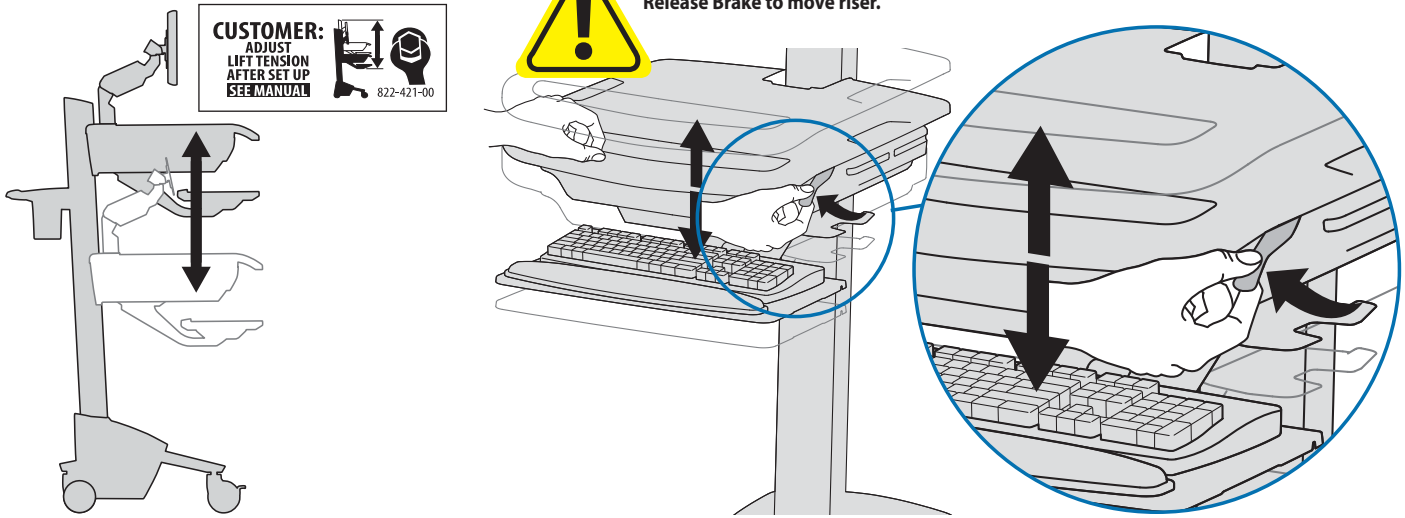
Keyboard Light will automatically turn off after 15 minutes if not manually turned off.



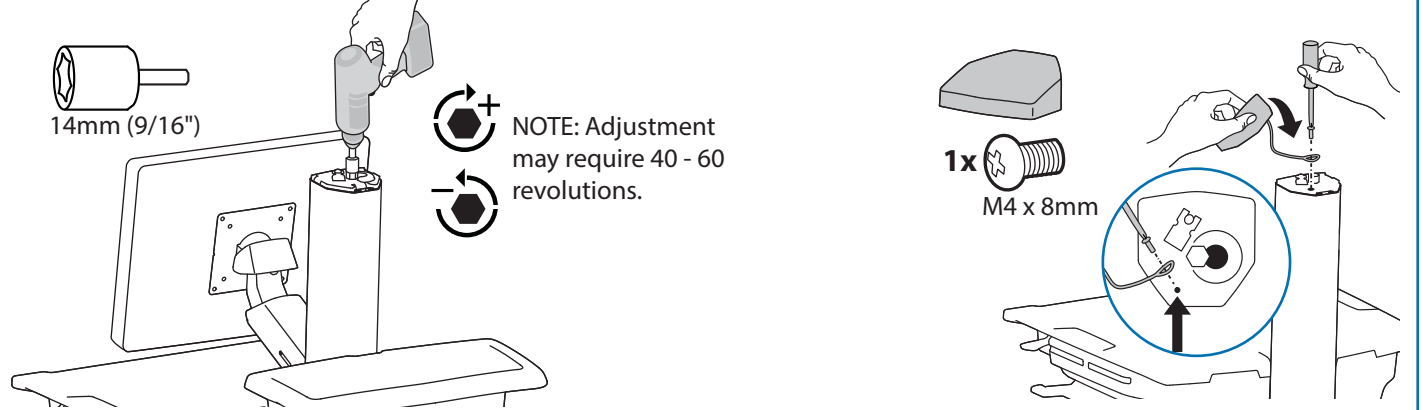
# 12

It is important that you adjust this product according to the weight of the mounted equipment as described in the following steps. Any time equipment is added or removed from this product, resulting in a change in the weight of the mounted load, you should repeat these adjustment steps to ensure safe and optimum operation. Adjustments should move smoothly and easily through the full range of motion and stay where you set it. If adjustments are difficult and do not stay in the desired position, follow the instructions to loosen or tighten the tension. Depending on your product and the adjustment, it may take several turns to notice a difference.

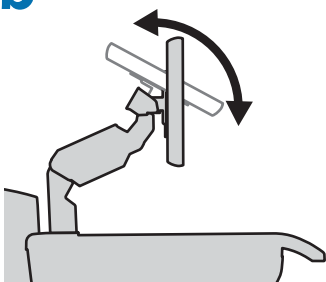
## a Lift – Up and down



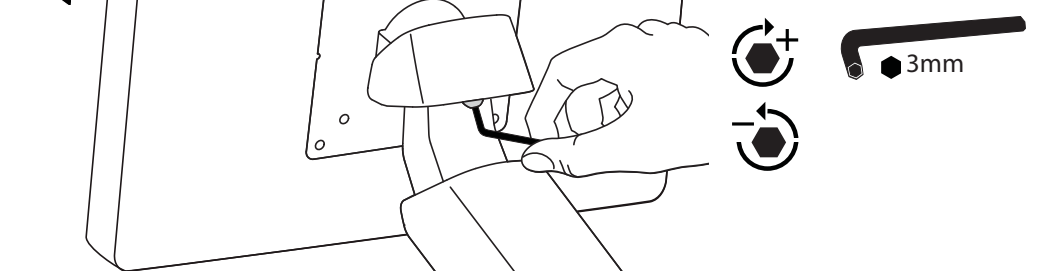
Follow these instructions to tighten or loosen tension.



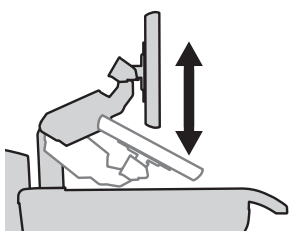
## b Tilt – Forward and Backward



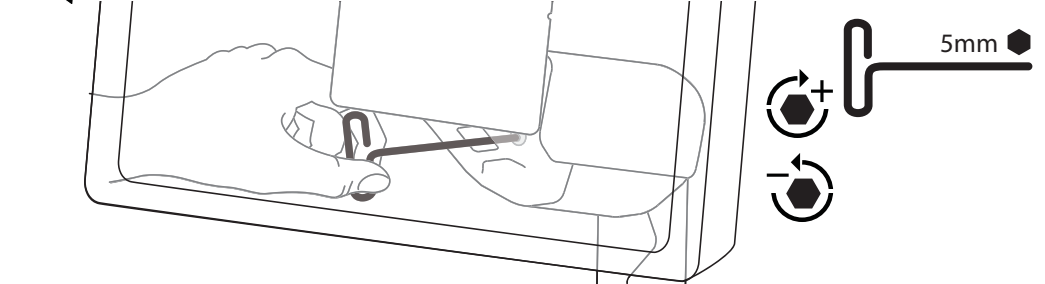
Follow these instructions to tighten or loosen tension.



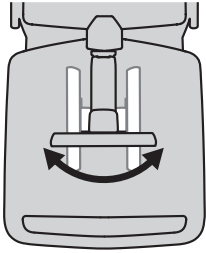
## c Lift – Up and down



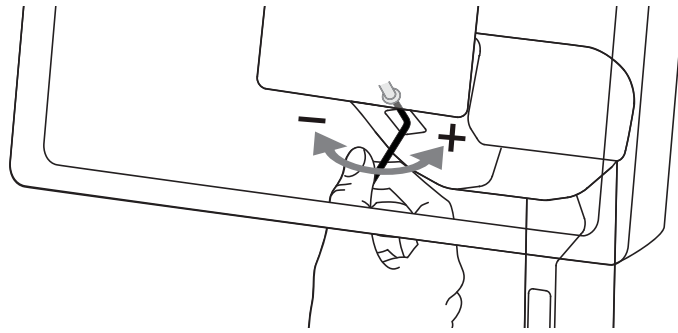
Follow these instructions to tighten or loosen tension.



**d** Pan – Side-to-side



Follow these instructions to tighten or loosen tension.

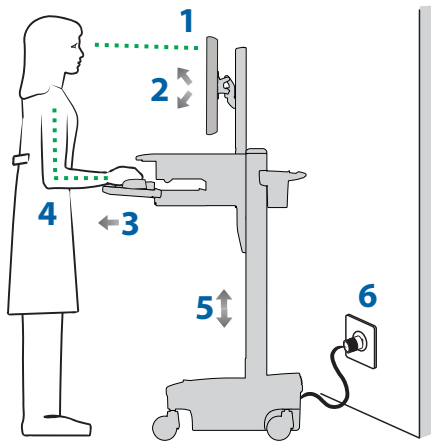


**Ergonomics**

**Working**

customize - to your size

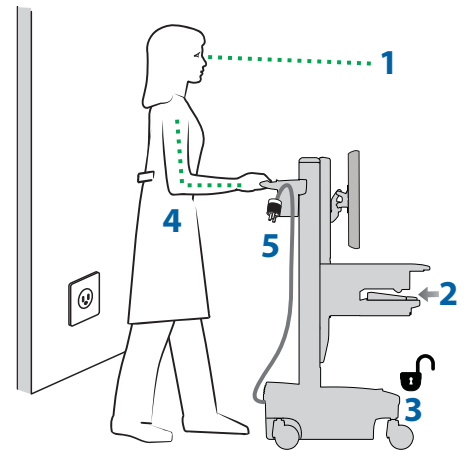
- 1 Set top of monitor screen about one inch below eye level - Release brake and lift or lower riser as needed.
- 2 Tilt screen for comfortable viewing and to reduce eye and neck strain.
- 3 Pull keyboard tray forward and position mouse tray on right or left, as needed.
- 4 Work with elbows bent at about 90° to minimize muscle strain.
- 5 If the riser moves up and down with difficulty, or if it drifts out of set position, consult the product manual for adjustment information.
- 6 Stay in charge!  
Powered carts should be plugged into outlet as often as possible to keep battery charged and computer running.



**Moving**

stow - before you go

- 1 During normal movement, release brake and lower worksurface to lowest position for optimal stability and unobstructed view.
- 2 Tuck away open trays and return mouse, scanner and other accessories to their places. Clear worksurface
- 3 Unlock both front casters.
- 4 Push cart from rear with elbows bent at about 90° to maximize control and minimize muscle strain.
- 5 Don't run out!  
Before moving, make sure cord is unplugged from outlet and hooked to basket for safe travel. Remember, charge battery fully 100% every day!










## Maintenance & Safety

### Hazard Symbols Review

The Meaning of Symbols appearing in this Guide, on the Cart or on the Power System

These symbols alert you to a safety condition that demands your attention. You should be able to recognize and understand the significance of the following Safety Hazards if you encounter them on the Cart or within Cart documentation such as this Set-up Guide.

Symbol	Signal Word/ Color	Level of Hazard
	<b>DANGER</b>	Indicates an imminently hazardous situation which, if not avoided, will result in death or serious injury.
	<b>WARNING</b>	Indicates a potentially hazardous situation which, if not avoided, could result in death or serious injury.
	<b>CAUTION</b>	Indicates a potentially hazardous situation which, if not avoided, may result in minor or moderate injury.
	<b>CAUTION</b>	Used without the safety alert symbol indicates a potentially hazardous situation which, if not avoided, may result in property damage.
	<b>INSTRUCTIONS</b>	Follow operating instructions.
	<b>INSTRUCTIONS</b>	Follow operating instructions.
	<b>POWER</b>	"ON" / "OFF" (push-push) NOTE: Each position "ON" / "OFF" is a stable position.



#### Cleaning and Maintenance

The following procedures are not guaranteed to control infection. The hospital infection control administrator or epidemiologist should be consulted regarding cleaning procedures and processes.

To avoid risk of electric shock, do not expose electrical components to water, cleaning solutions or other potentially corrosive liquids or substances.

Do not immerse Cart or Cart components in liquid or allow liquids to flow into the Cart. Wipe all cleaners off surface immediately using a damp cloth. Thoroughly dry surface after cleaning.

Do not use flammable cleaners on Cart surfaces due to close proximity of electrical power and equipment.

All paints and plastic Cart components will withstand cleaning by most commonly used, diluted, non-abrasive solutions such as quaternary ammonia compounds, ammonia enzyme cleaners, bleach or alcohol solutions.

- Pen and permanent and dry erase markers can be removed with 91% isopropyl alcohol and a soft cloth.
- Iodine stains can be removed with commonly used cleaners and a soft cloth.
- Never use steel wool or other abrasive materials that will damage the surface finish.
- Do not use strong solvents such as trichloroethylene and acetone. These solvents will damage the surface finish.

It is recommended that any cleaning solution be tested on a small, inconspicuous area to ensure surface is not harmed.

Adjustment, Service, Replacement - DO NOT attempt to adjust, service or replace any part of the StyleView Cart unless directed to do so through Ergotron-approved documentation (i.e. installation instructions). Only Ergotron, Inc. or an Ergotron-certified entity may adjust, service or replace StyleView Cart components. If any component on the Cart is missing or damaged, the Cart must not be used, contact Ergotron Customer Care immediately to request a replacement part.

Cables - Keep cables neatly organized on the Cart (a variety of solutions are provided with your cart for this purpose). Excess cables should be routed away from moving components with cable clips. Review Cable Routing section of this guide, or contact Ergotron Customer Care for more information.

Casters - Check casters periodically to make sure they are clean and free of debris that would prevent smooth travel. Avoid moving Cart across uneven, dirty or damaged surfaces.

Customer Equipment- Make sure equipment is balanced and mounted securely to Cart. Do not reposition Cart components on riser or tower unless instructed to do so in the installation instructions. Moving Cart components too high or too low on the Riser may create an unstable condition, leading to equipment damage or even personal injury. Contact Ergotron Customer Care for information about moving Cart components.

## Maintenance & Safety



### Safety Alerts Associated with this Product

The following Warnings/Cautions appear in this reference guide or on the cart:

NOTE: Failure to adhere to these guidelines may result in equipment damage or personal injury.

CAUTION: The lift brake helps stabilize the worksurface and keyboard tray during normal use but it DOES NOT increase load capacity. DO NOT load riser with equipment totaling more than the maximum weight capacity specified by Ergotron. Ensure optimum lift function by testing and if necessary, re-adjusting tension whenever the weight mounted to the riser changes (i.e., equipment is removed or added). See "Set Riser Lift Tension" adjustment instructions.

CAUTION: Do not operate StyleView Cart with missing or damaged components! Do not remove, modify or substitute Cart components without consulting Ergotron. If you encounter problems with Cart installation or operation, contact Ergotron Customer Care.

CAUTION: DO NOT overtighten fasteners. Overtightening may cause damage to your equipment.

WARNING: Stored Energy Hazard: The worksurface lift mechanism is under tension and will move up rapidly, on its own, as soon as attached equipment is removed. For this reason, DO NOT remove equipment unless the worksurface has been moved to the highest position on the tower! Failure to follow this instruction may result in serious personal injury and/or equipment damage! When Shipping the cart, set the worksurface lift mechanism to the lowest tension setting.

CAUTION: DO NOT loosen, tighten or remove any other nuts or bolts on the riser or top of tower. Tampering with nuts or bolts may result in an unstable Cart, leading to equipment damage and/or personal injury.

CAUTION: Release Lift Brake before moving work surface! Moving work surface while Lift Brake is engaged may cause serious damage to Lift Engine.

WARNING: In the event that repair of the StyleView Cart is needed, contact Ergotron Customer Care immediately. Cart repair can only be performed by Ergotron, Inc. or by an Ergotron authorized agent.

WARNING: This cart is not intended for use in a flammable, anesthetic mixture or oxygen rich environment.



### Configuration & Safety

Additional multiple socket-outlet or extension cord shall not be connected to the medical system.

When used in a Medical Electrical system, connect only equipment that complies with IEC, ISO, UL/ANSI, or CSA standards that are relevant to that equipment.

Risk of shock or personal injury when connecting non-medical equipment supplied as part of a system directly to the wall outlet when non-medical equipment is intended to be supplied by the multiple socket outlet.

Risk of shock or personal injury when connecting any equipment that has not been supplied as part of the medical system to the multiple socket outlet.

Recommended Periodic Inspection and Maintenance			
Component	Action	How often	By whom
UI, Ethernet, USB cables	Inspect for wear, pinching, bad connectors	Monthly	Any user
Fan on side of CPU compartment	Inspect for dust at intake, vacuum as required using a vacuum cleaner that DOES NOT generate ESD (Electrostatic Discharge)	Monthly	Any user
Casters	Inspect for wear and debris	Monthly	Any user
Maximum Load	Inspect to ensure that maximum recommended loads are not exceeded	Daily	Any user

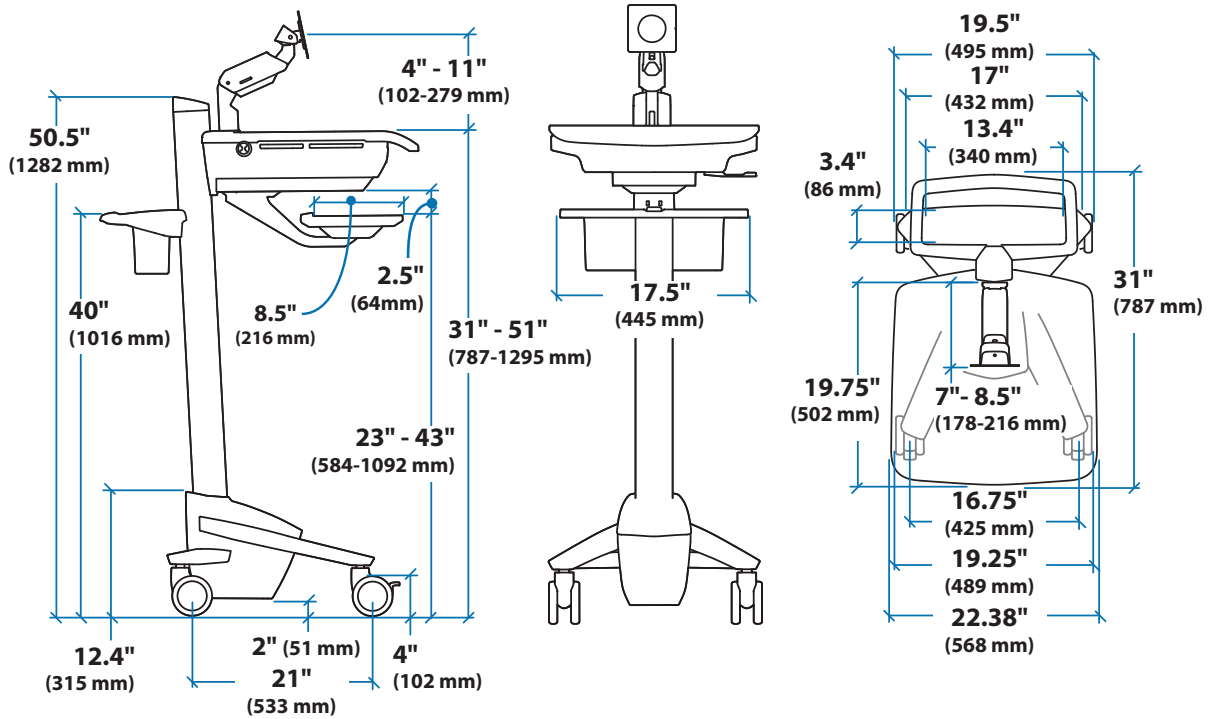
1. Please dispose of all batteries in accordance with local law  
2. Always replace with similar size battery (33 A-h to replace 33 A-h) and always replace in pairs



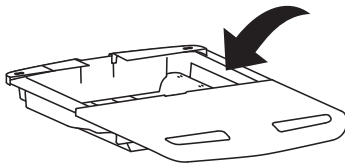
### EQUIPMENT & ACCESSORIES DISPOSAL

1. Please dispose of all batteries in accordance with local law
2. All Electronics should be recycled through an electronics recycler.
3. Remaining plastics and metals can be recycled through a commercial recycler.

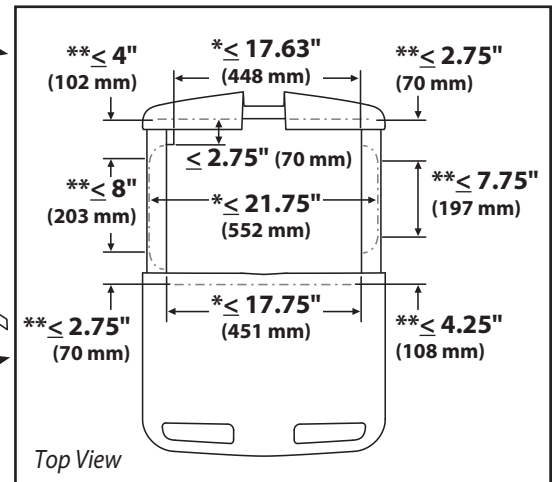
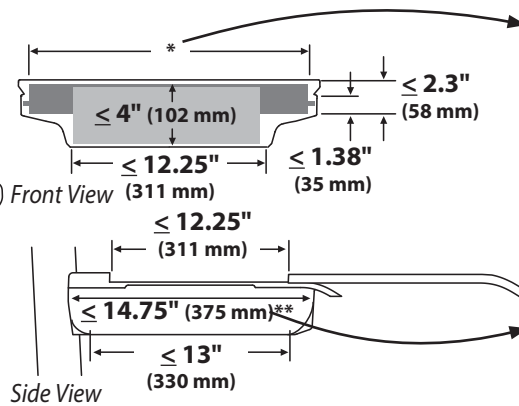
## Dimensions



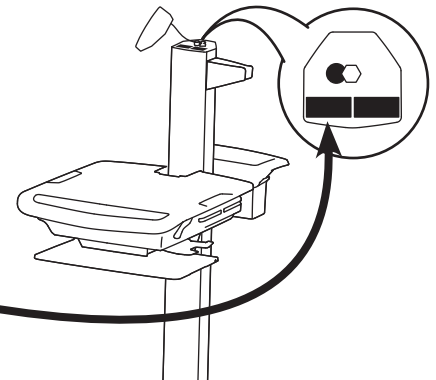
### CPU Compartment



When figuring dimensions, include mounted accessories, protruding cables and port replicators or docking stations.



For Warranty visit: [www.ergotron.com/warranty](http://www.ergotron.com/warranty)  
 For Service visit: [www.ergotron.com](http://www.ergotron.com)  
 For local customer care phone numbers visit: <http://contact.ergotron.com>  
 NOTE: When contacting customer service, reference the serial number.



# ergotron®

[www.ergotron.com](http://www.ergotron.com) | USA: 1-800-888-8458 | Europe: +31 (0)33-45 45 600 | China: 400-120-3051 | Japan: [japansupport@ergotron.com](mailto:japansupport@ergotron.com)

© 2014 Ergotron, Inc. All rights reserved. StyleView® is a registered trademark of Ergotron, Inc.

While Ergotron, Inc. makes every effort to provide accurate and complete information on the installation and use of its products, it will not be held liable for any editorial errors or omissions (including those made in the process of translation from English to another language), or for incidental, special or consequential damages of any nature resulting from furnishing this instruction and performance of equipment in connection with this instruction. Ergotron, Inc. reserves the right to make changes in the product design and/or product documentation without notification to its users. For the most current product information, or to know if this document is available in languages other than those herein, please contact Ergotron. No part of this publication may be reproduced, stored in a retrieval system, or transmitted in any form or by any means, electronic, mechanical, photocopying, recording or otherwise without the prior written consent of Ergotron, Inc., 1181 Trapp Road, Eagan, Minnesota, 55121, USA. Patents Pending and Patented U.S. & Foreign. Ergotron is a registered trademark of Ergotron, Inc.