

# Installation Guide

## INTWM / INTWMW

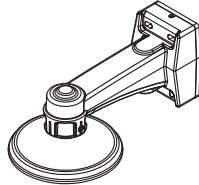
speco technologies®

200 New Highway, Amityville NY 11701  
800.645.5516 / www.specotech.com

### Wall Mount

#### Compatible Models

- CVC5300DPVF
- CVC5845DNDV, CVC5945DNDV
- CVC5735DNDV, CVC5835DNDV, CVC5935DNDV
- HT7246iHR, HT7247iHR, HT7250iHR
- HT7248FFi, HTD8FFi
- HTINTD8, HTINTD9, HTINTD10
- OINT03D1G



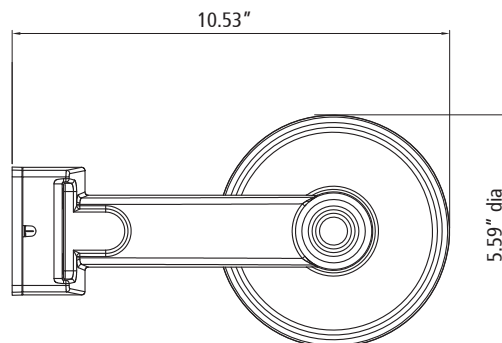
#### Package Contents

The following items are included in this package.

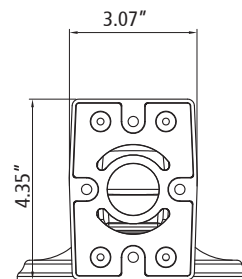
- INTWM / INTWMW
- 1 Base Sponge Adaptor
- 1 Bracket Dome Adaptor
- 1 Wall Bracket Adaptor
- 1 Wrench
- 4 Hexagon Socket Screws M5 x 30
- 3 Machine Screws M4 x 15
- 3 Machine Screws M4 x 22
- 2 Machine Screws M4 x 18
- 4 Tapping Screws 6 x 40
- 2 Hexagon Socket Screws M8 x 8
- 4 Plastic Anchor 8 x 40

#### Dimensions

Front View

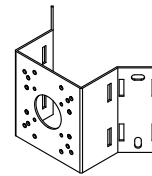


Side View



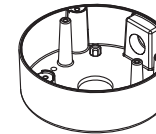
#### Optional Accessories

INTCM



Pole/Corner Mount

CVCJBD



Dome Junction Box

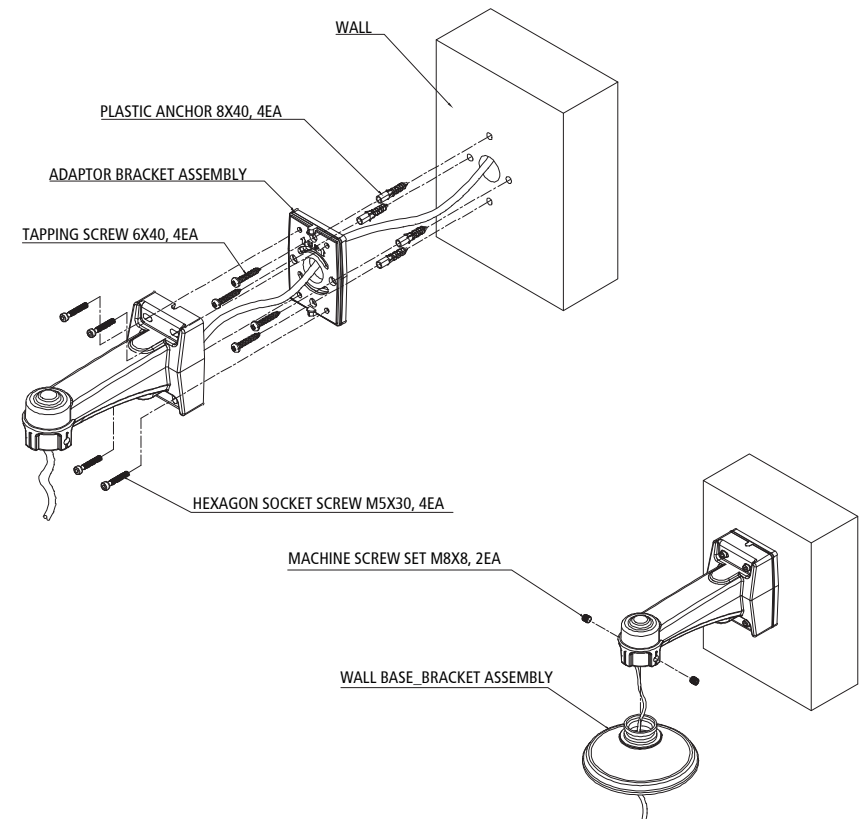
JB03TG



Large Round Junction Box

#### Installation Instruction Diagram

1-1. Install mount onto the wall by using the screws provided.



# Installation Guide

## INTWM / INTWMW

speco technologies®

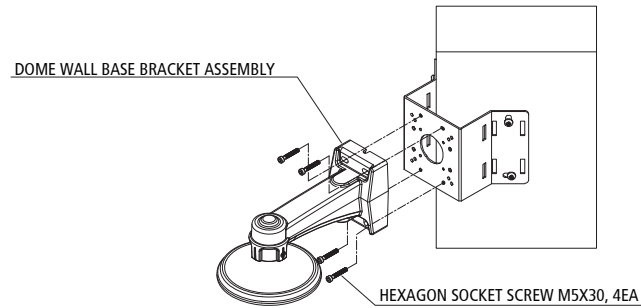
200 New Highway, Amityville NY 11701

800.645.5516 / www.specotech.com

### Installation Instruction Diagram

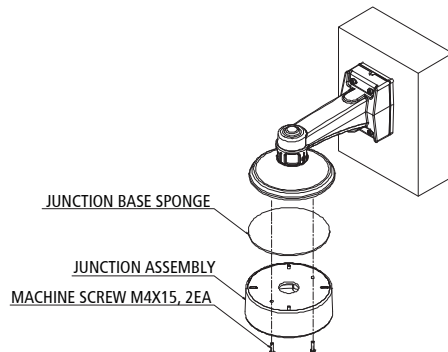
1-2. Install INTCM onto pole or wall.

1-3. Install mount onto INTCM as shown in the image below.



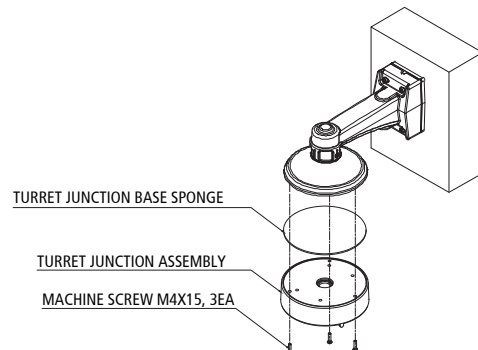
1-3. Install INTWM onto ceiling.

1-4. Install CVCJBD junction box onto INTWM as shown in the image below.



1-5. Install INTWM onto ceiling.

1-6. Install JB03TG junction box onto INTWM as shown in the image below.



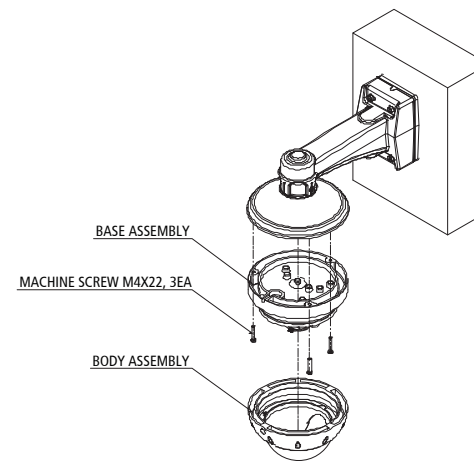
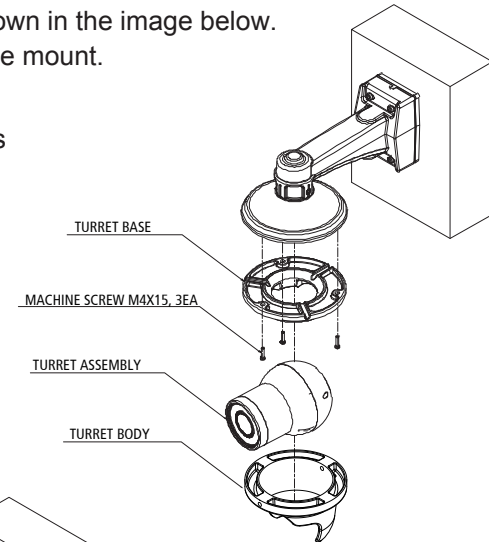
### Installation Instruction Diagram

2. Arrange each piece as shown in the image below.

3. Fasten the camera onto the mount.

\*Compatible models

CVC5845DNU(W)  
CVC5945DNU(W)  
CVC5300DPVF(W)  
HTD8FFi  
HTINTD8(W)  
HTINTD9(W)  
HTINTD10(W)  
OINT03D1G



\*Compatible models

CVC5735DNU(W)  
CVC5835DNU(W)  
CVC5935DNU(W)

\*Compatible models

HT7246iHR  
HT7247iHR  
HT7250iHR  
HT7248FFi

