

Installation Guide

INTPM / INTPMW

speco technologies®

200 New Highway, Amityville NY 11701
800.645.5516 / www.specotech.com

Pendant Mount

Compatible Models

- CVC5300DPVF
- CVC5845DNDV, CVC5945DNDV
- CVC5735DNDV, CVC5835DNDV, CVC5935DNDV
- HT7246iHR, HT7247iHR, HT7250iHR
- HT7248FFi, HTD8FFi
- HTINTD8, HTINTD9, HTINTD10
- OINT03D1G



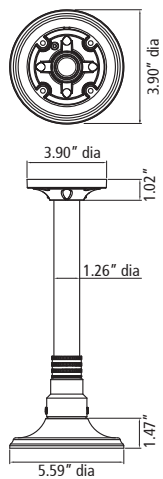
Package Contents

The following items are included in this package.

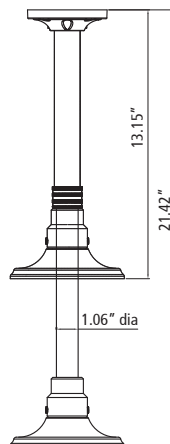
- INTPM
- 1 Bracket Base Adaptor
- 1 Wrench
- 4 Tapping Screws #8 x 25
- 4 Hexagon Socket Screws M5 x 10
- 3 Machine Screws M4 x 15
- 3 Machine Screws M4 x 22
- 2 Machine Screws M4 x 18

Dimensions

Front View

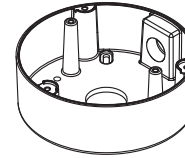


Side View



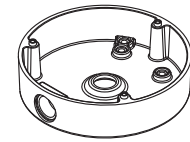
Optional Accessories

CVCJBD



Dome Junction Box

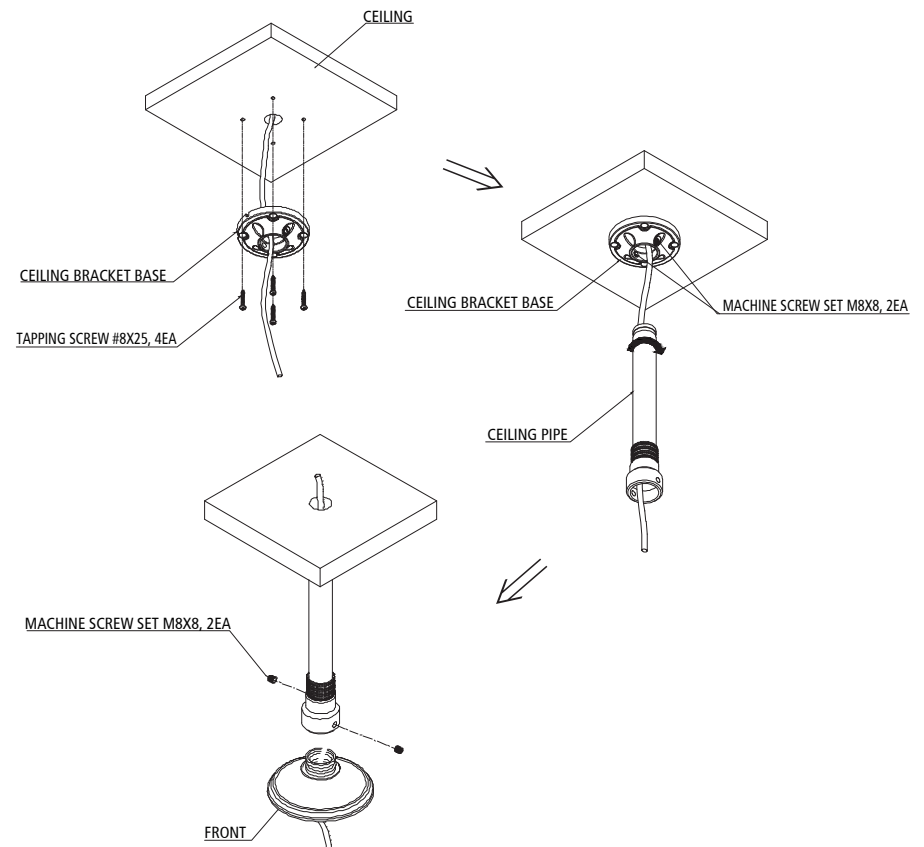
JB03TG



Large Round Junction Box

Installation Instruction Diagram

1-1. Install mount onto the ceiling by using the screws provided.

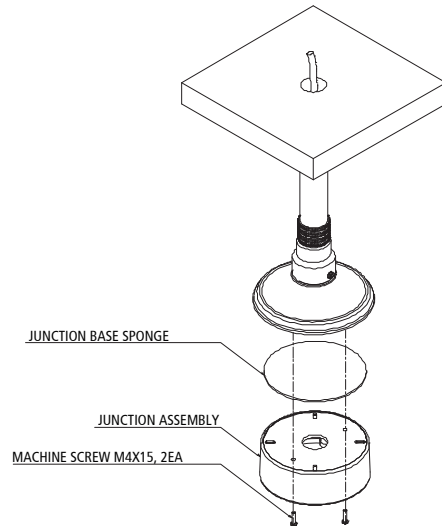


Installation Guide

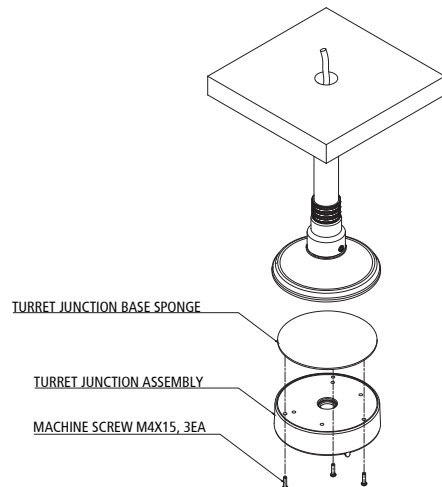
INTPM / INTPMW

Installation Instruction Diagram

- 1-2. Install INTPM onto ceiling.
- 1-3. Install CVCJBD junction box onto INTPM as shown in the image below.



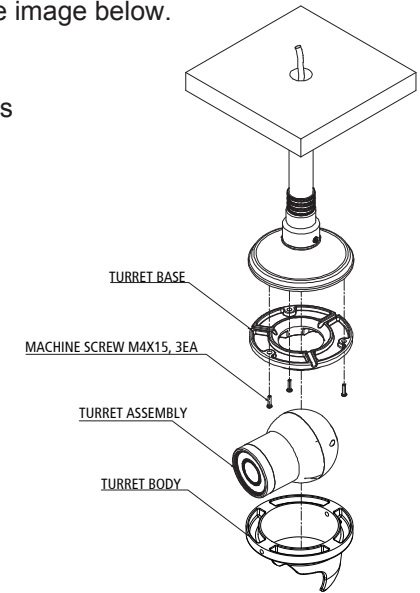
- 1-4. Install INTPM onto ceiling.
- 1-5. Install JB03TG junction box onto INTPM as shown in the image below.



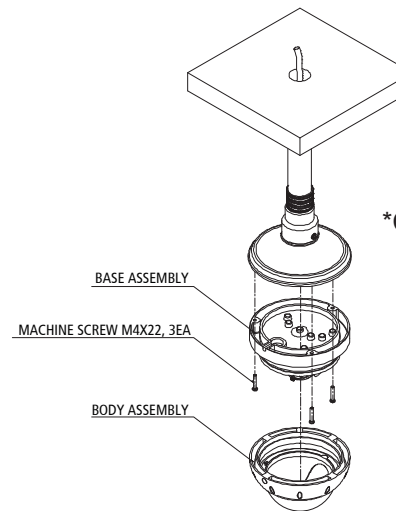
Installation Instruction Diagram

2. Arrange each piece as shown in the image below.
3. Fasten the camera onto the mount.

*Compatible models
 CVC5845DNV(W)
 CVC5945DNV(W)
 CVC5300DPVF(W)
 HTD8FFi
 HTINTD8(W)
 HTINTD9(W)
 HTINTD10(W)
 OINT03D1G



*Compatible models
 CVC5735DNV(W)
 CVC5835DNV(W)
 CVC5935DNV(W)



*Compatible models
 HT7246iHR
 HT7247iHR
 HT7250iHR
 HT7248FFi

