

Installation Guide

INTJBS / INTJBSW

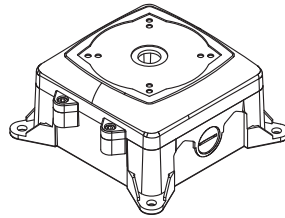
speco technologies®

200 New Highway, Amityville NY 11701
800.645.5516 / www.specotech.com

Junction Box

Compatible Models

- CVC5100BPVF, CVC5200BPVF
- CVC5815DNV, CVC5915DNV
- HTINTB8, HTINTB9, HTINTB10
- HTINTB8G, HTINTB10G
- HT5100BPVFG, HT5200BPVFG
- HT7048IRVF, HT7049IRVF
- VL7038IRVF, VL7039IRVF
- OB1, OINT56B1G

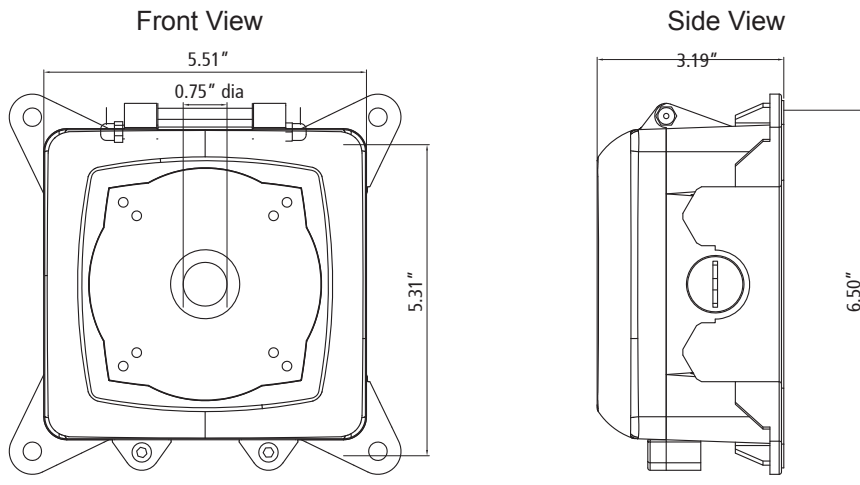


Package Contents

The following items are included in this package.

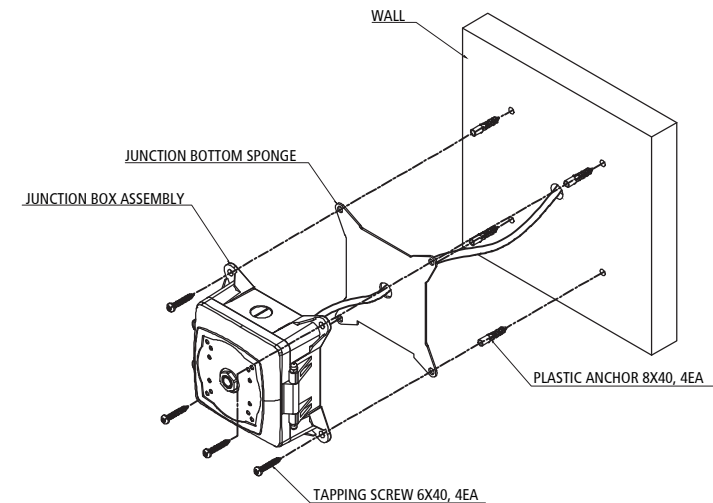
- INTJBS / INTJBSW
- 1 Junction Box Base Gasket
- 1 Wrench
- 4 Hexagon Socket Screws M5 x 10
- 4 Machine Screws M3 x 8
- 4 Tapping Screws 6 x 40
- 4 Plastic Anchor 8 x 40
- 1 Cable Grand Assembly

Dimensions



Installation Instruction Diagram

1. Install junction box onto the wall by using the screws provided.



Installation Guide

INTJBS / INTJBSW

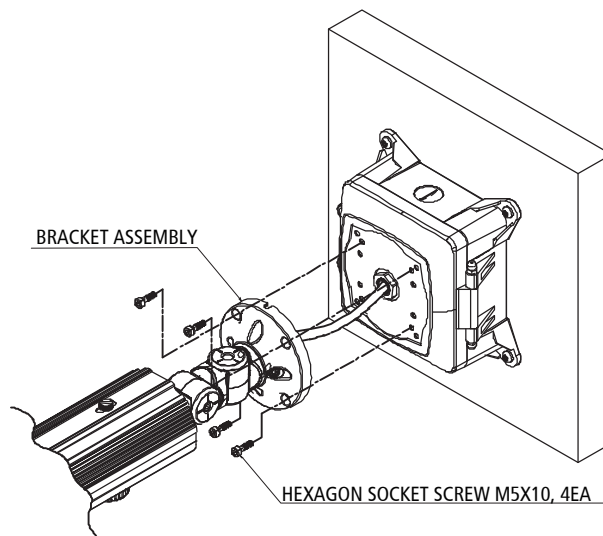
speco technologies®

200 New Highway, Amityville NY 11701

800.645.5516 / www.specotech.com

Installation Instruction Diagram

2. Arrange each piece as shown in the image below.
3. Fasten the camera onto the junction box.



***Compatible models**

HTB11FFi

HTINTB10G(W)

HTINTB10(W)

HTINTB8(W)

HTINTB8G(W)

HTINTB9(W)

CVC5100BPVFG(W)

CVC5200BPVFG(W)

CVC5815DNV(W)

CVC5915DNV(W)

CVC5100BPVF(W)

CVC5200BPVF(W)

OB1

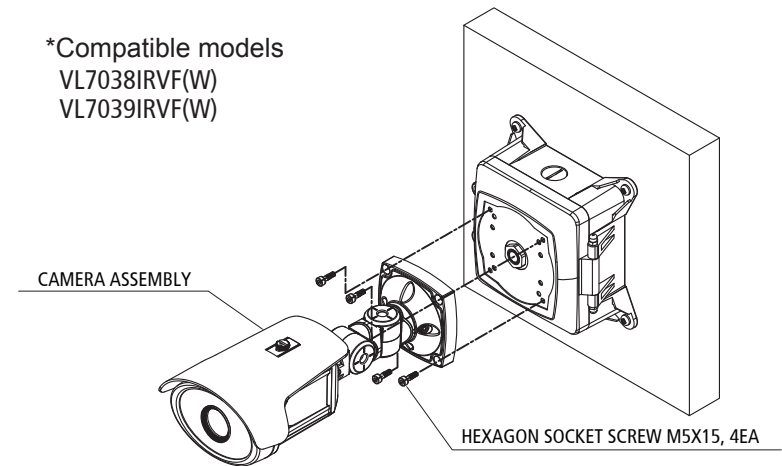
OINT56B1G

Installation Instruction Diagram

***Compatible models**

VL7038IRVF(W)

VL7039IRVF(W)



CAMERA ASSEMBLY

HEXAGON SOCKET SCREW M5X15, 4EA

***Compatible models**

HT7048IRVF(W)

HT7049IRVF(W)