

Installation Guide

INTCM / INTCMW

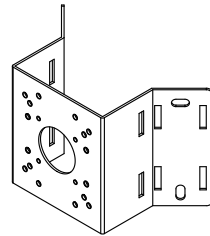
speco technologies®

200 New Highway, Amityville NY 11701
800.645.5516 / www.specotech.com

Pole / Corner Mount

Compatible Models

- CVC5100BPVF, CVC5200BPVF
- CVC5715DNV, CVC5815DNV, CVC5915DNV
- HTB11FFi, HTINTB8, HTINTB9, HTINTB10
- HTINTB8G, HTINTB10G
- HT5100BPVFG, HT5200BPVFG
- HT7048IRVF, HT7049IRVF
- VL7038IRVF, VL7039IRVF
- VL5700BPVF
- OB1, OINT56B1G



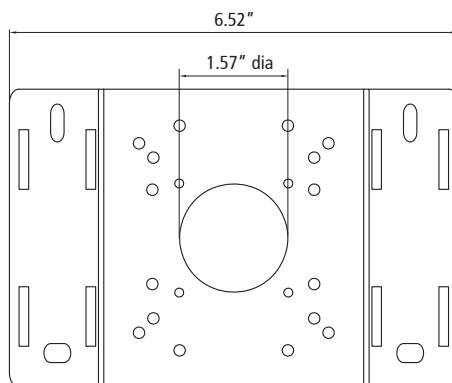
Package Contents

The following items are included in this package.

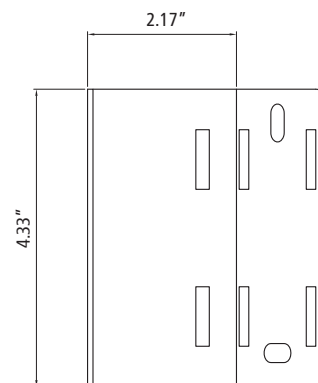
- INTCM / INTCMW
- 4 Tapping Screws #8 x 25
- 4 Hexagon Socket Screws M5 x 15

Dimensions

Front View

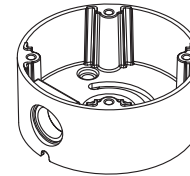


Side View



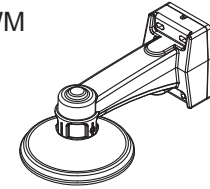
Optional Accessories

CVCJBB



Bullet Junction Box

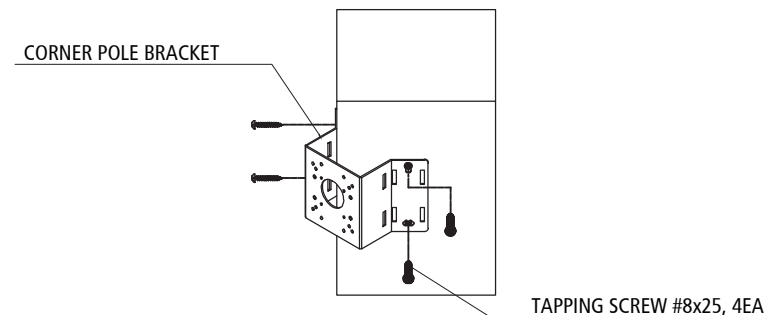
INTWM



Wall Mount

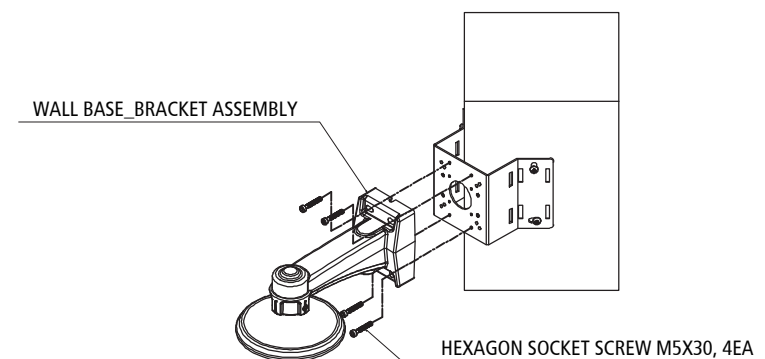
Installation Instruction Diagram

1-1. Install mount onto the wall by using the screws provided.



1-2. Install INTCM onto pole or wall.

1-3. Install wall mount onto INTCM as shown in the image below.

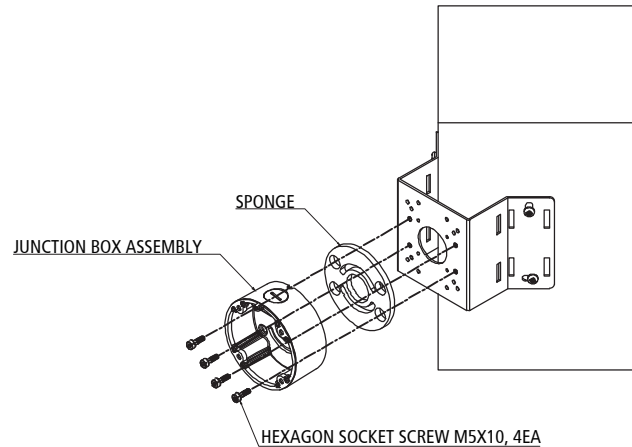


Installation Guide

INTCM / INTCMW

Installation Instruction Diagram

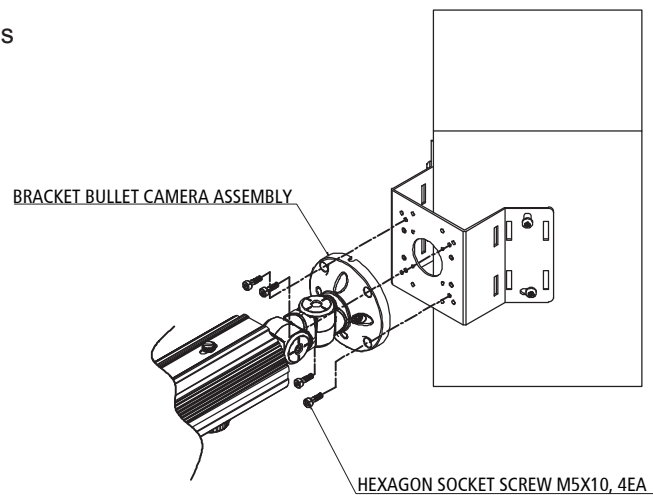
- 1-4. Install INTCM onto pole or wall.
- 1-5. Install junction box onto INTCM as shown in the image below.



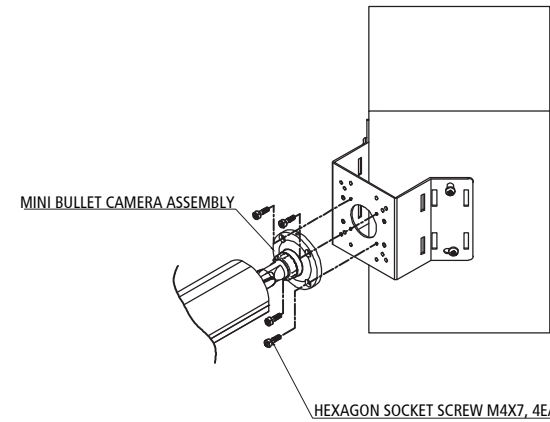
2. Arrange each piece as shown in the image below.
3. Fasten the camera onto the mount or junction box.

***Compatible models**

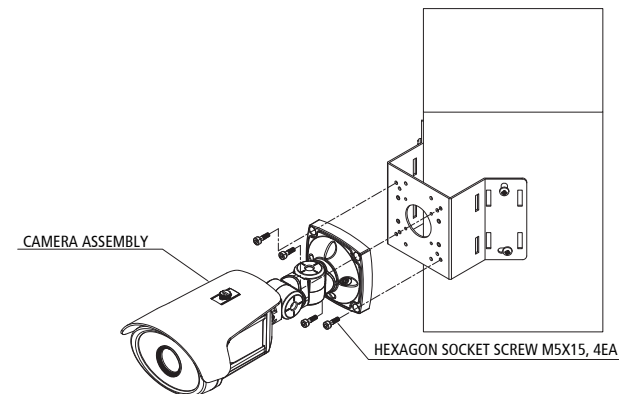
- HTINTB8(W)
- HTINTB9(W)
- HTINTB10(W)
- HTB11FFi
- CVC5100BPVF(W)
- CVC5200BPVF(W)
- CVC5815DNV(W)
- CVC5915DNV(W)
- HTINTB8G(W)
- HTINTB10G(W)
- HT5100BPVFG(W)
- HT5200BPVFG(W)
- OB1
- OINT56B1G



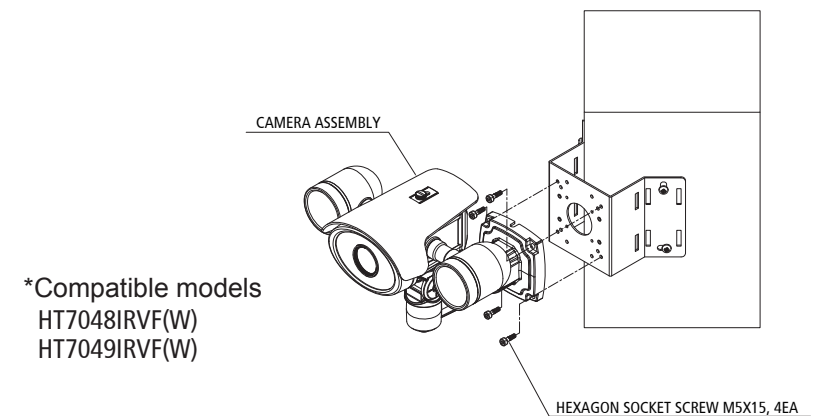
Installation Instruction Diagram



- *Compatible models**
CVC5715DNV(W)
VL5700BPVF(W)



- *Compatible models**
VL7038IRVF(W)
VL7039IRVF(W)



- *Compatible models**
HT7048IRVF(W)
HT7049IRVF(W)