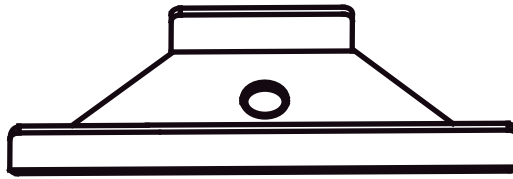


INSTRUCTION SHEET

WMRK-Z4

SEISMIC BRACKET FOR WMRK SERIES



HARDWARE

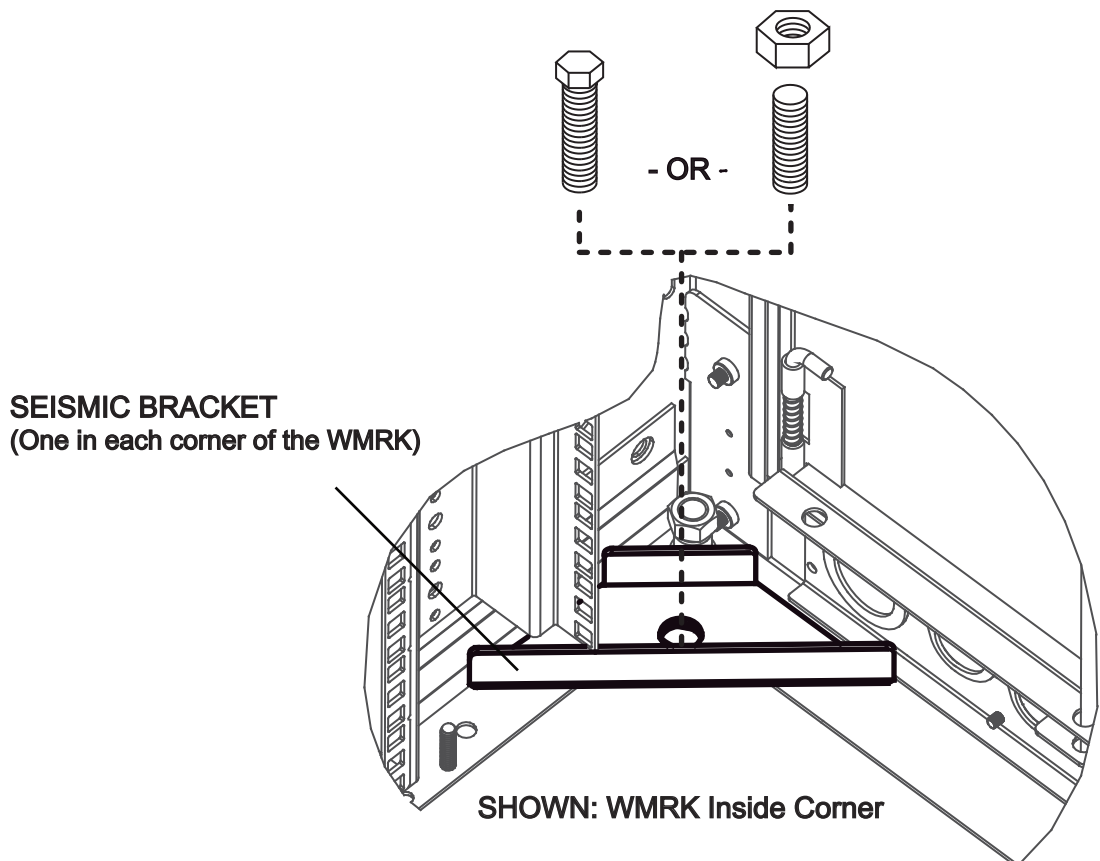
The FLOOR MOUNTING HARDWARE is supplied by the Installer and approved by the Field Engineer who will rate the entire job.

Four (4) 1/2" Anchor Bolts are required.

Includes four (4) brackets and three (3) ARRHK hardware kits containing eight (8) oval nuts and eight (8) bolts each.

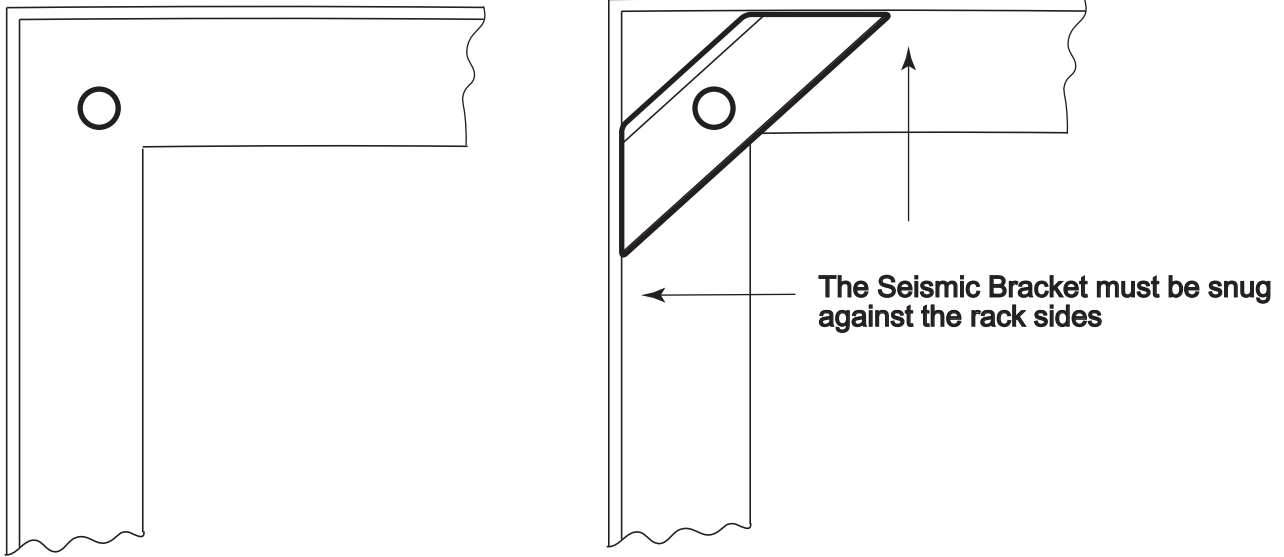
INSTALLATION

Install as shown.



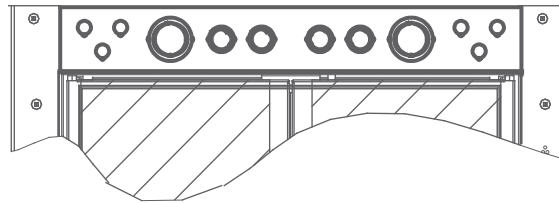
NOTE: The leveling foot rivnut located in the corner does not need to be removed. Tighten the floor anchor completely. Deflection will occur around the rivnut. This is required, it pre-loads the corner in compression.

**TYPICAL
CORNER
OF WMRK**



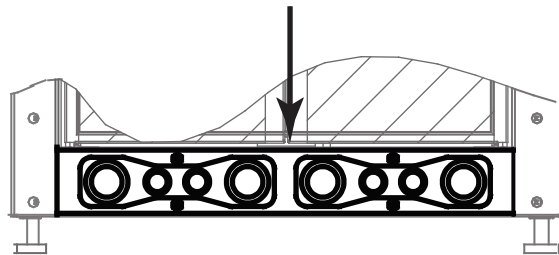
ATTENTION

The exclamation point within an equilateral triangle is intended to alert the user to the presence of important operating and maintenance (servicing) instructions in the literature accompanying the appliance.



**REMOVABLE
KNOCKOUT
PLATE**

(DO NOT REMOVE)

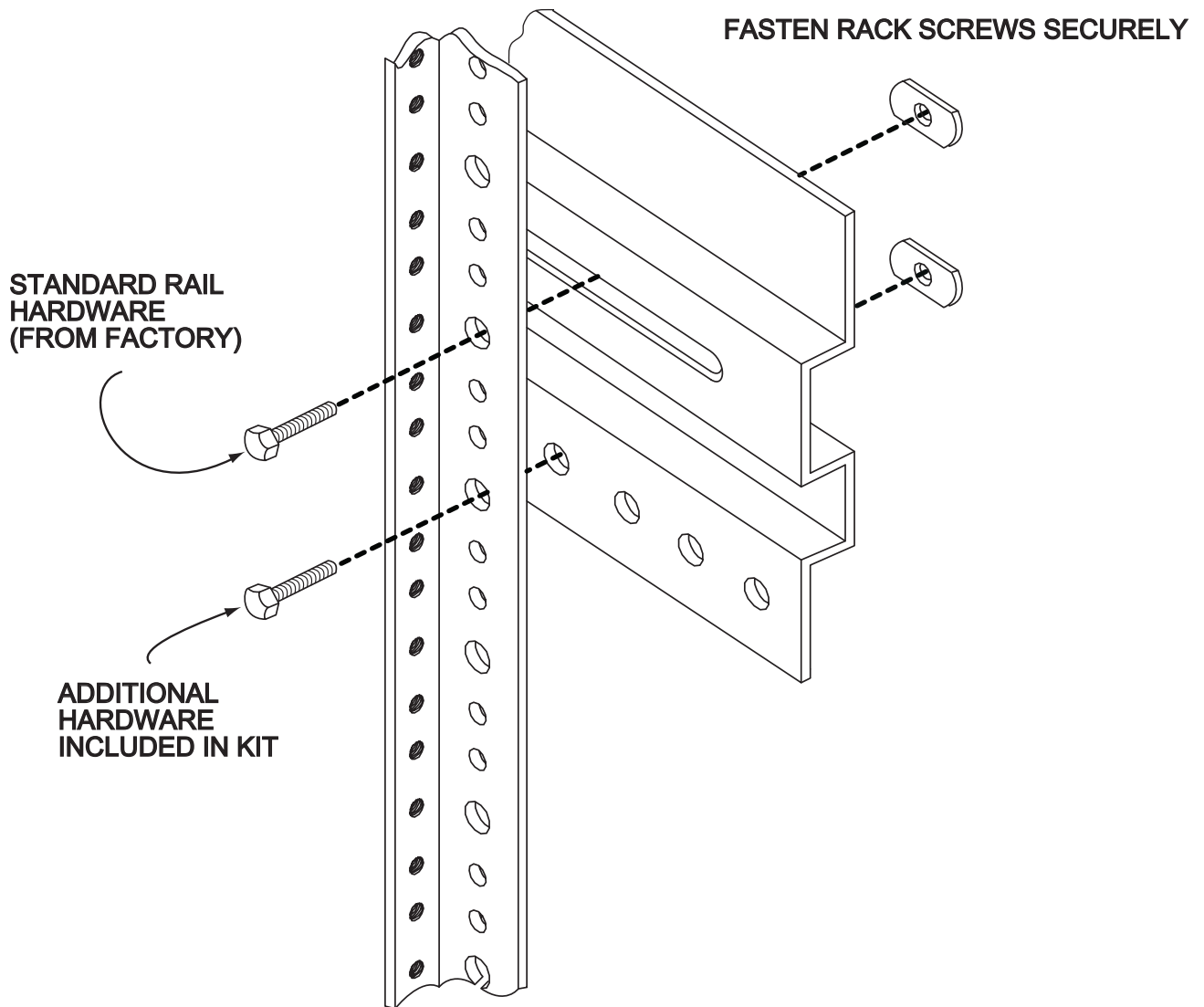


IMPORTANT NOTE

The **REMOVABLE KNOCKOUT PLATE (BOTTOM)** must **NOT** be removed for seismic certification to stay in effect (may differ based on enclosure). Enclosure must be plumb and level in 2 directions.

SEISMIC COMPLIANCE RACKRAIL MOUNTING

1. Middle Atlantic Products seismic certifications require that Rackrail/Z-Rail be mounted in the slide position and fixed positions of all mounting points. (below)
2. Install Rack Panels in all unused rack spaces using all available mounting points.



SEISMIC COMPLIANCE

An engineered system is vital to achieve seismic rating requirements. A licensed professional engineer must approve the type of fasteners for the flooring where the rack will be mounted. Braced according to specifications set forth by licensed Architects and Engineers, the Middle Atlantic Products rack you purchased is capable of sustaining a phenomenal lateral load with the front rails filled to maximum capacity.

The enclosures below are certified to:

- 1997 UBC Seismic Zone 4 Essential Equipment Mounting
- 2001 CBC Seismic Zone 4 Essential Equipment Mounting
- 2000 IBC Seismic Use Group III Essential Equipment Mounting
- 2003 IBC Seismic Use Group III Essential Equipment Mounting
- 2002 ASCE Standard 7 Seismic Use Group III Essential Equipment Mounting
- 2003 NFPA 5000 Seismic Use Group III Essential Equipment Mounting

ENCLOSURE SERIES	WEIGHT CAPACITY	BRACKET REQUIRED
WMRK	1,090 lbs.	WMRK-Z4
R2-44S	850 lbs.	N/A
MK-1945-24	500 lbs.	N/A
DRK	755 lbs.	MRK-Z4
MRK	1,050 lbs.	MRK-Z4
MRK-XXXXAXS-Z4	520 lbs.	Included
WRK	900 lbs.	WRK-Z4
ERK	600 lbs.	ERK-Z4
VMRK	640 lbs.	MRK-Z4
VRK	740 lbs.	VRK-Z4
Convective Series™ Consoles (does not include '-S' consoles with slide out rotating rack bay)	375 lbs.	SC-Z4
Quiet-Cool Series™ Consoles (does not include '-S' consoles with slide out rotating rack bay)	375 lbs.	SC-Z4
SCRK Enclosures (does not include '-S' consoles with slide out rotating rack bay)	775 lbs.	SC-Z4
SCQRK Enclosures (does not include '-S' consoles with slide out rotating rack bay)	775 lbs.	SC-Z4
SRB Seismic Riser Bases (24" height standard, custom heights from 9"-24" available)	1,000 lbs. 1 bay 1,750 lbs. 2 bay 2,450 lbs. 3 bay	MRK-Z4 / VRK-Z4 (dependent upon enclosure to be mounted)
SRB Seismic Riser Base for DRK (24" height standard, custom heights from 9"-24" available)	1,050 lbs. 1 bay 2,130 lbs. 2 bay	MRK-Z4

WARRANTY

Middle Atlantic Products, Inc. (the "Company") warrants the WMRK-Z4 Seismic Bracket to be free from defects in material or workmanship under normal use and conditions for the lifetime of the product.

The Company's entire liability to the purchaser, and the purchaser's (or any other party's) sole and exclusive remedy, under this warranty shall be limited, at the Company's option, to either (a) return of and refund of the price paid for, or (b) repair or replacement at the Company's factory of the products purchased, or any part or parts thereof, which the Company has determined to be defective after inspection thereof at the Company's factory. This warranty does not cover damage due to acts of God, accident, misuse, abuse or negligence by parties other than the Company, or any modification or alteration of the products. In addition, this warranty does not cover damage due to improper handling, assembly, installation or maintenance.

THIS WARRANTY IS IN LIEU OF ALL OTHER WARRANTIES OF ANY KIND, EITHER EXPRESSED OR IMPLIED, INCLUDING, BUT NOT LIMITED TO, IMPLIED WARRANTIES OF MERCHANTABILITY AND FITNESS FOR A PARTICULAR PURPOSE.

TO THE MAXIMUM EXTENT PERMITTED BY APPLICABLE LAW, IN NO EVENT SHALL THE COMPANY BE LIABLE FOR ANY SPECIAL, INCIDENTAL, INDIRECT, OR CONSEQUENTIAL DAMAGES WHATSOEVER (INCLUDING, WITHOUT LIMITATION, DAMAGES FOR LOSS OF BUSINESS PROFITS, BUSINESS INTERRUPTION OR ANY OTHER PECUNIARY LOSS) ARISING OUT OF THE USE OF THE PRODUCTS PURCHASED, EVEN IF THE COMPANY HAS BEEN ADVISED OF THE POSSIBILITY OF SUCH DAMAGES. THE COMPANY'S LIABILITY TO THE PURCHASER (OR ANY OTHER PARTY) HEREUNDER, IF ANY, SHALL IN NO EVENT EXCEED THE PURCHASE PRICE OF THE PRODUCTS PAID TO THE COMPANY.

Corporate Headquarters

Corporate Voice 973-839-1011 - Fax 973-839-1976 / International Voice +1 973-839-8821 - Fax +1 973-839-4982
middleatlantic.com - info@middleatlantic.com

Middle Atlantic Canada

Voice 613-836-2501 - Fax 613-836-2690 / middleatlantic.ca - contactcanada@middleatlantic.com

Factory Distribution

USA: NJ - CA - IL Canada: ON - BC

At Middle Atlantic Products we are always listening. Your comments are welcome.

Middle Atlantic Products is an ISO 9001 Registered Company.