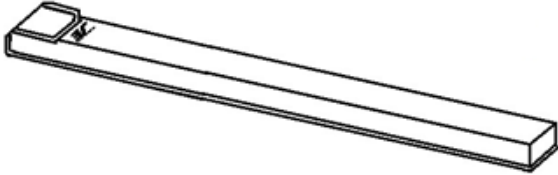


PicoScreen™ Series

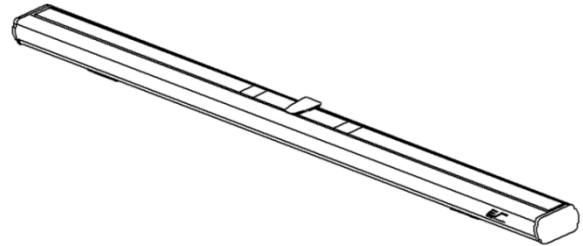
35"/45" Diagonal Portable Table-top Projection Screen Quick Setup Guide

What's included?

Canvas bag x 1

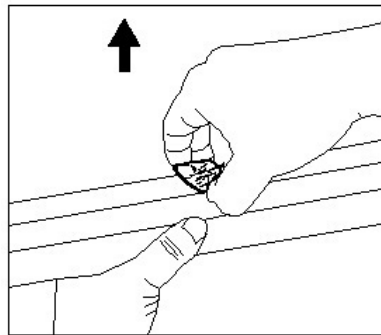


PicoScreen x 1



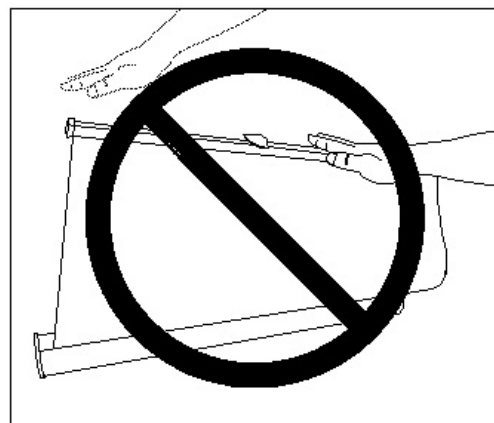
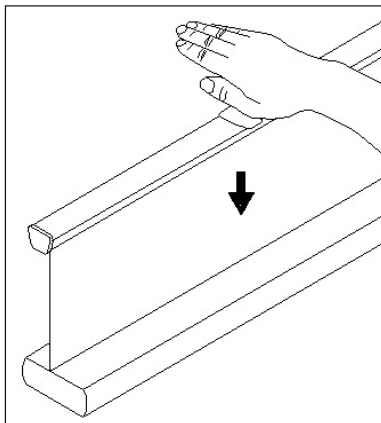
Setup

Hold the unit with one hand and with the other hand, grip the handle and pull out the screen to the desired height.



Retract

Gently push down the **top center** of the screen and retract back into housing. Do not attempt to retract from the left or right side to avoid the material from rolling unevenly and permanently damaging the product.



Attention:

Surface can be cleaned with mild soap and water.

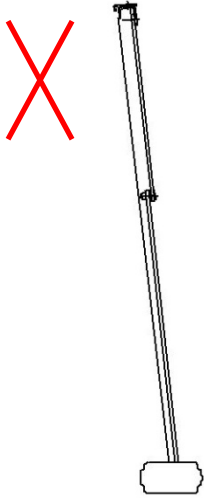
Avoid screen material contact with any hard or sharp objects.

To avoid any injury, please press the screen slowly until it is fully retracted.

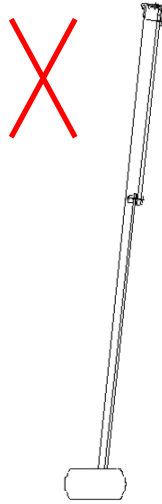
Tilt Adjustment Instructions Guide

If, in rare instances, your PicoScreen™ does not stand perfectly straight, please follow the steps below to adjust.

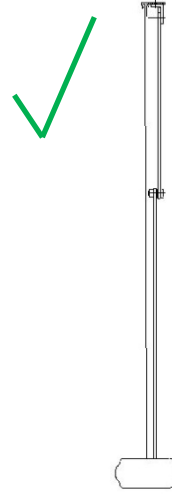
1. Front Tilted



2. Rear Tilted



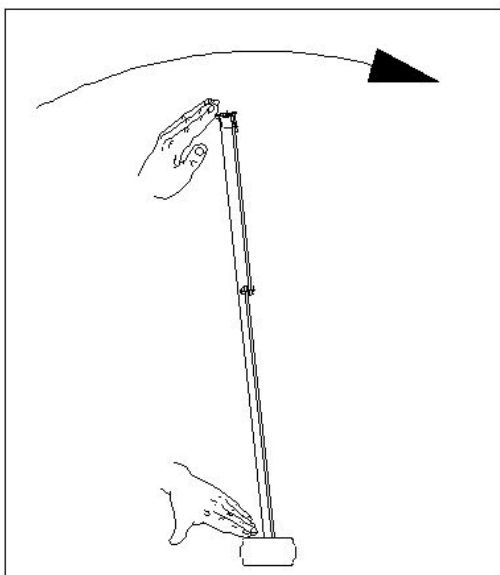
3. Normal



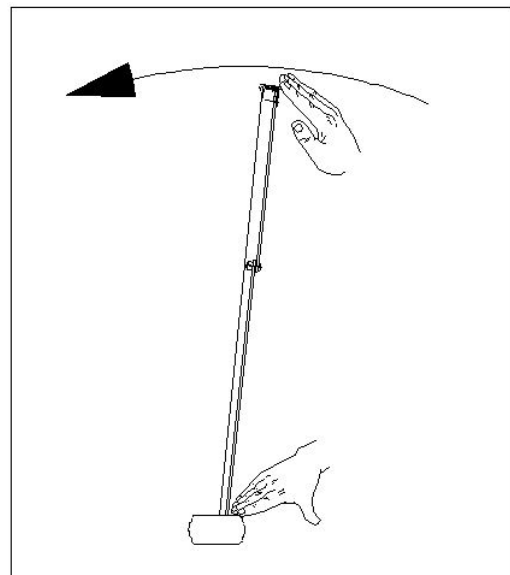
Setup

1. Fully deploy the screen from the case.
2. Using one hand to keep hold of the base, use the other hand to gently pull the screen towards the appropriate direction to bring it back to a normal position. See figures below.

1. Front Tilted



2. Rear Tilted



For more information, technical support or your local Elite Screens contact, please visit www.elitescreens.com