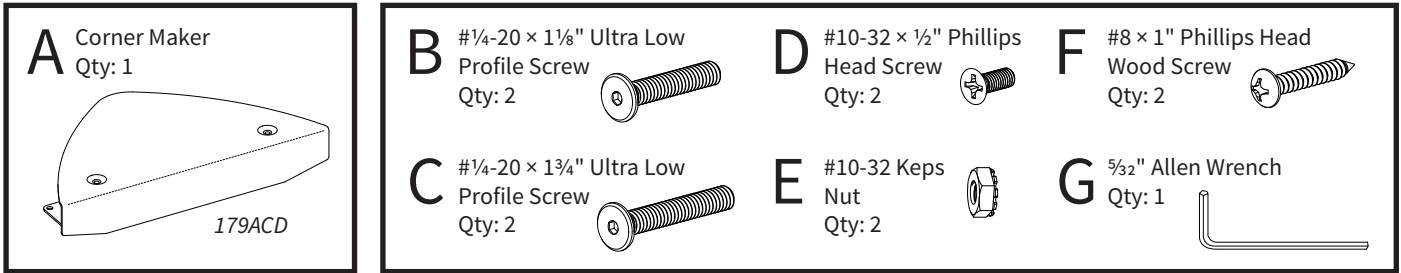


Assembly & Installation Instructions: Adjustable Corner Maker, 179ACD

Workrite
ergonomics®

Part Included



Tools Required

#2 Phillips screwdriver or drill/driver
5/32" Allen Wrench (G) included
Wrench with 3/8" socket if installing on some non-Workrite tracks

Note: These instructions assume that you've purchased the Pinnacle 2 Arm, a Workrite keyboard platform and two rectangle worksurfaces from 1 1/8" thick to 2 1/4" thick. The Adjustable Corner Maker can also be used on worksurfaces with a corner radius as large as 9".

1 Select Correct Size Clamping Screw

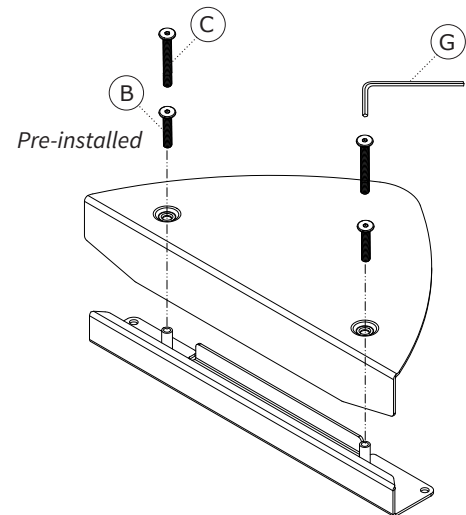
Measure the thickness of the worksurfaces.

If your worksurfaces are from 1 1/8"–1 3/4" thick, use the #1/4-20 × 1 1/8" Ultra Low Profile Screws (B) that are pre-installed.

If your worksurfaces are 1 3/4"–2 1/4" thick, you will need to replace them with the longer #1/4-20 × 1 3/4" Ultra Low Profile Screws (C).

Use the included 5/32" Allen Wrench (G) to remove and add Low Profile Screws as needed.

Be sure to leave a bit of room to slide the Corner Maker onto the worksurfaces. It will be clamped down in Step 4c.

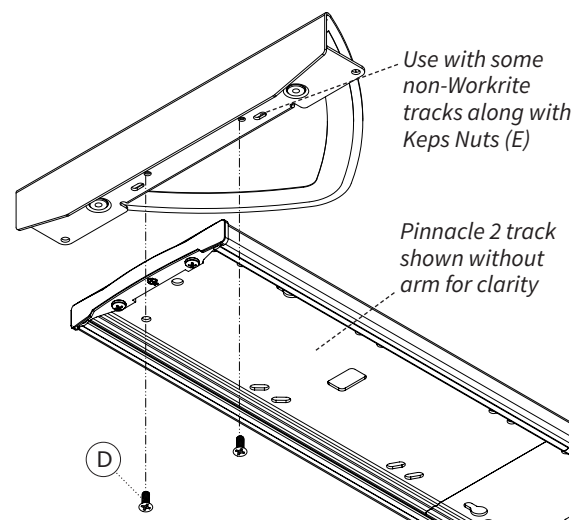


2 Attach Keyboard Platform Arm to Corner Maker

If you are installing a Corner Maker without a keyboard platform arm, skip to **Step 3**.


Mount the Pinnacle 2 Track to the Adjustable Corner Maker (A) using two #10-32 × 1/2" Phillips Head Screws (D) through the front track mounting holes and into the threaded holes in the bottom clamp bracket.

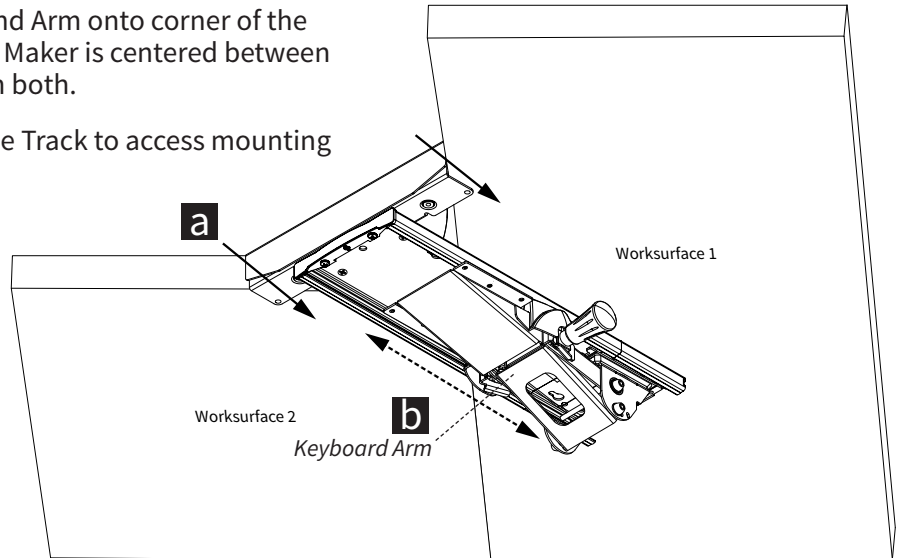
If installing non-Workrite tracks, you may need to use included #10-32 Keps Nuts (E) and the oval holes located next to the front track mounting holes.



3 Slide Corner Maker and Pinnacle Arm Onto Worksurface(s)

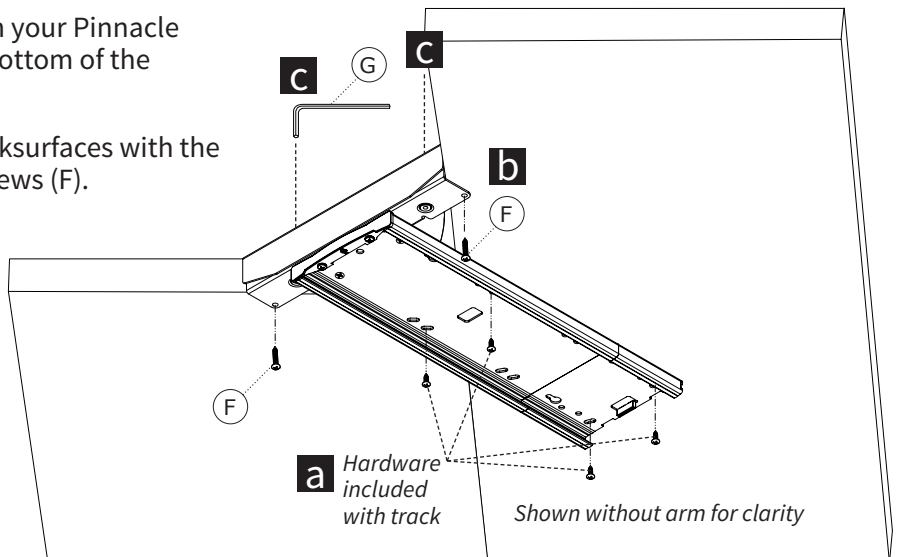
- a Slide the assemble Corner Maker and Arm onto corner of the worksurface(s) making sure Corner Maker is centered between worksurfaces with equal overlap on both.
- b Move or swivel Keyboard Arm on the Track to access mounting locations as needed.

 **Note: Support the Keyboard Track and Arm while installing. The next two steps are best performed by two people.**



4 Attach Corner Maker and Keyboard Arm to Worksurface(s)

- a Use the instructions that came with your Pinnacle Arm to attach the Platform to the bottom of the worksurfaces.
- b Attach the Corner Maker to the worksurfaces with the two #8 × 1" Phillips Head Wood Screws (F).
- c Tighten the Low Profile Screws (B or C) from above using provided Allen Wrench (G) to clamp the Corner Maker in place.



5 Attach Keyboard Platform to Arm

Use the instruction that came with your keyboard platform to mount to arm.

