

# WD380/383/387 WOOD VISITORS CHAIR

## OPERATING INSTRUCTIONS



**WD380**



**WD383**



**WD387**

### **WARNING**

1. Use this product only one person at a time.
2. Do not use this chair unless all bolts, screws and knobs are securely tightened.
3. Check that all bolts screws and knobs are tight every three months or as needed.
4. Dispose of packing material properly. Do not use plastic cover as head covering. It may cause suffocation.
5. Do not use chair as a stepladder.
6. Use this chair for its intended purpose only.
7. Use mild detergent only for cleaning.

### **WARRANTY**

Work Smart chairs are warranted from the date of purchase against failure due to material and workmanship as follows:

- 15 Years on all non-moving metal parts.
- 5 Years on component parts including Control mechanisms, pneumatic cylinders, wood, plastic parts, base and casters.
- 3 Years on up upholstery fabric and foam against wear and deterioration.
- We cannot warrant leather against routine scratching and scuffing, as all leather is subject to minor blemishes in use.

To make a warranty claim, contact Parts Department. Provide model number and description of the problem and obtain return authorization. At it's option Office Star Products will:

- (a) Supply compatible components of current manufacture.
- (b) Repair the customer's component. The customer must prepay freight on any components returned to the factory. Return freight on components still in warranty will be paid by Office Star Products.

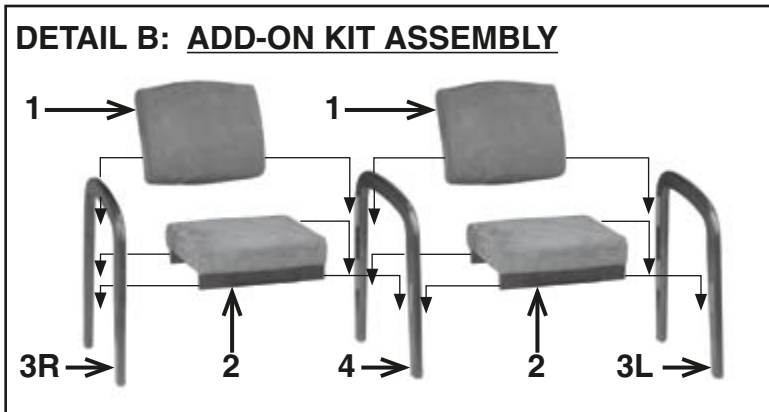
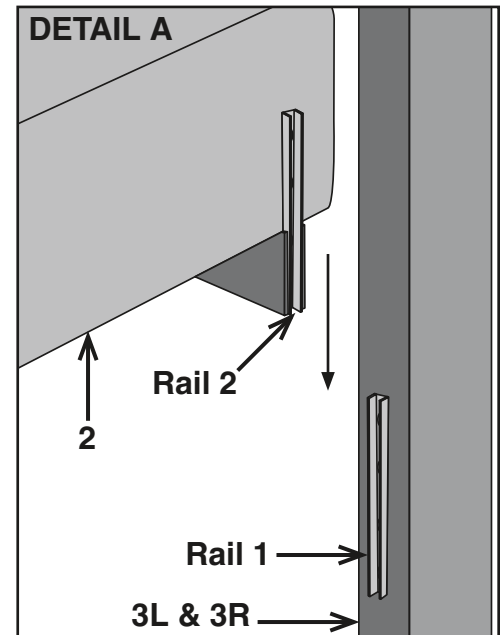
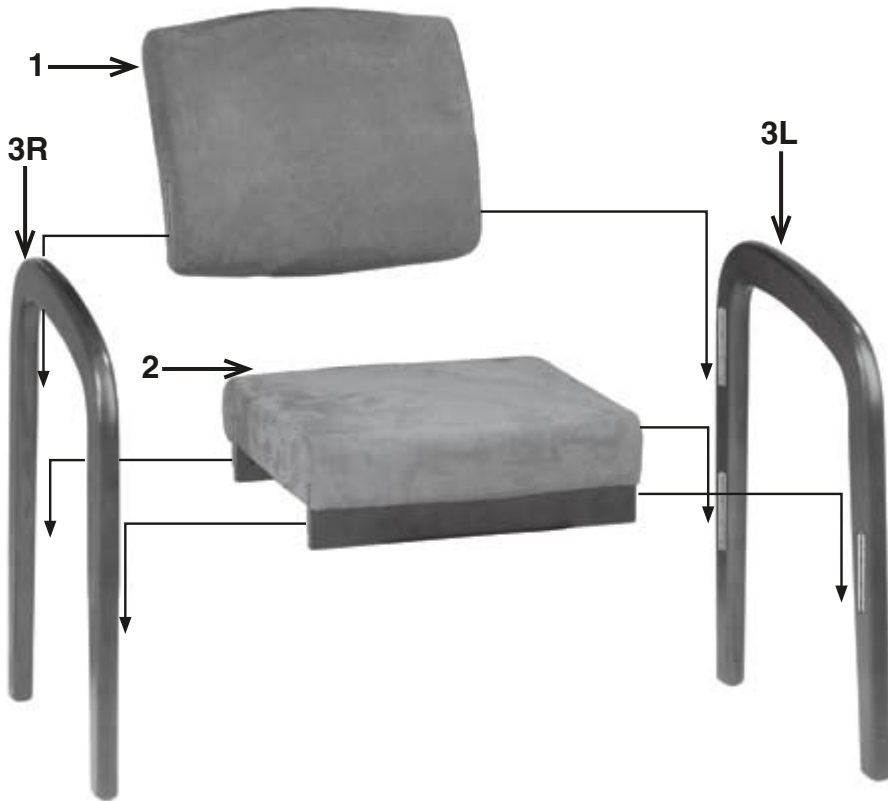
*\*All warranties are limited to the original purchaser for normal commercial usage defined as a standard forty hour work week by persons weighing 250 lbs. or less. This warranty will not cover labor, freight or damage from misuse, abuse, negligence, alteration, accident, vandalism, rusting, acts of nature or any other event beyond the control of Office Star Products. The warranty does not cover cosmetic damage that may result from normal use. Liability for incidental or consequential damages is excluded to the extent permitted by law. The user assumes all risk of injury resulting from use of this product. When usage is more than 40 hours per week, a two year warranty on all parts applies. Fabric and foam is warranted for one year.*

All Work Smart chairs are built to meet or exceed ANSI BIFMA standards.

Our quality standards are among the highest in the industry. Sometimes, no matter how hard we try, there are times when parts are damaged or missing. Our Parts Department will do everything possible to promptly remedy the problem. Contact us via e-mail [parts@officestar.net](mailto:parts@officestar.net), by Fax 1-909-930-5629, or toll free parts number 1-800-950-7262, Monday through Friday 8:00 a.m. - 5:00 p.m. Pacific Time.

# WD380/383/387 WOOD VISITORS CHAIR

## ASSEMBLY INSTRUCTIONS



PART	QTY
1. Back Cushion	1
2. Seat Cushion	1
3. Frame Left (3L) and Right (3R)	2
<b>ADD-ON KIT PARTS</b>	
1. Back Cushion	1
2. Seat Cushion	1
4. Middle Add-On Frame	1

Remove all the parts from carton, separate them into part numbers indicated on the list and make sure part quantities are correct.

**STEP 1** Attach Seat Cushion (2) to Right and Left Frames (3R & 3L) by inserting Rail 2 into Rail 1 **AS SHOWN IN DETAIL A**. **NOTE: KEEP RIGHT AND LEFT FRAMES (3R & 3L) EVENLY BALANCED WHEN ATTACHING RAILS**. If using ADD-ON KIT(S) only install one Frame (3L or 3R) and use Middle Add-On Frame(s) (4). Install original Frame (3L or 3R) at end of ADD-ON KIT(S) **AS SHOWN IN DETAIL B**. **NOTE: KEEP ALL FRAMES (3R, 3L & 4) EVENLY BALANCED WHEN ATTACHING RAILS**.

**STEP 2** Attach Back Cushion(s) (1) by inserting Rail 2 into Rail 1 **AS SHOWN IN DETAIL A**.