

USA·SPEC

PA15-HON2

iPod to HONDA / ACURA car stereo interface

USA·SPEC

PA15-HON2

iPod to HONDA / ACURA car stereo interface

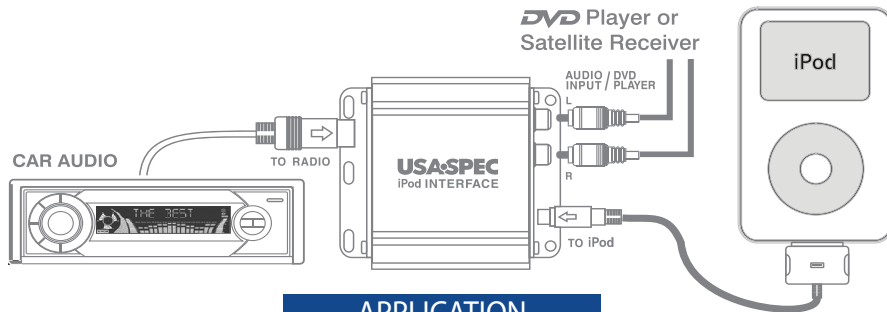
PLAY, CONTROL & CHARGE

Your iPod through ACURA / HONDA Car Stereo System!

KEY FEATURES

This adaptor connects an iPod, iPhone, or iTouch to your ACURA / HONDA audio system with the following benefits:

- Connects iPod's audio output directly to ACURA/HONDA Audio system for optimal sound quality playback.
- Displays text information on XM ready radios.
- Retains Satellite radio receivers, CD Changers, and DVD systems.
- Offers three ways to access the music on iPod, namely, DIRECT MODE, FOLDER MODE, and PLAYLIST MODE
- Charges iPod, iPhone, and iTouch while playing. Charging stops at 30 minutes after car key is turned off to prevent car battery drain.
- Connects Satellite radio, DVD player, or other audio source to the car audio system through the AUX Audio Input jack.



APPLICATION

** The chart below is for general reference only. For detailed application and compatibility please consult www.usaspec.com or call 626-336-3836.

ACURA	YEAR	HONDA	YEAR	HONDA	YEAR
MDX	05 - 09	ACCORD	03 - 09	ODYSSEY	05 - 09
RL	05 - 09	CIVIC	06 - 09	PILOT	06 - 09
TL	04 - 08	CRV	05 - 09	RIDGELINE	06 - 09
TSX	04 - 08	ELEMENT *	03 - 09	S2000	04 - 07
RDX	07 - 09	FIT	07 - 09		

* ELEMENT LX (03 - 09) should use the PA11-HON model



OWNER'S MANUAL

TECH. SUPPORT
(626) 336-3836
9 AM ~ 4 PM PST
MON ~ FRI

Email: techsupport@usaspec.com



Quick Guide

- ❖ **If your radio has a XM button, read section 3-1 and section 3-2 first.**
- ❖ **If your radio does not have a XM button, read section 3-3 first.**
- ❖ **If text display feature is preferred on an ACURA radio, a PA15-HON3 or a P15-ACUxl model should be used.
Please check with the APPLICATION guide in Section 1-5.**

For warranty service and technical support, please e-mail to techsupport@usaspec.com or warranty@usaspec.com.
info@usaspec.com does not respond to technical support or warranty service requests.

Thank you for purchasing **USASPEC** product. This manual describes the function and operation of PA15-HON2 iPod interface for Honda and ACURA car radios. Please read this manual before installing the interface adaptor in your vehicle.

- ❖ It is strongly recommended that the adaptor is installed in an easily accessible location, so that it can later be easily reset or upgraded.
- ❖ Eject ALL CDs from the built-in CD player or CD changer before removing the radio from dash board.
- ❖ **USASPEC** distributes products through authorized dealers so customers will receive proper services and advice from the dealers. **USASPEC** reserves the right to offer technical or warranty services only on products purchased through authorized **USASPEC** dealers.
- ❖ **SAFETY NOTE:** You should always give full attention to driving. **DO NOT** operate the feature or function of PA15-HON2 in such a way that might distract you while you are driving.

Section 1. ABOUT PA15-HON2 INTERFACE

1-1 Introduction

- a) This interface connects an iPod, iTouch, or iPhone directly to your Acura or HONDA audio system for optimal playback sound quality.
- b) This interface enables iPod to coexist with ACURA/HONDA navigation system, CD changer, and Satellite radio.
- c) PA15-HON2's on board software translates commands from your CD changer control or XM Band control into commands that the iPod understands.
 - i You can use either the XM control or the CD changer control of the radio to work with iPod or iPhone. Use XM control on XM ready radios if text display is desired.
 - ii **When using XM control, XM1 is for iPod and XM2 is retained for XM broadcast reception.**
- d) This interface charges iPod, iTouch, or iPhone while it is playing and charging stops automatically half an hour after iPod is paused.

1-2 Text Display of Song Information

- Artist name and song title can be displayed on radio by configuring PA15-HON2 to work with the XM buttons on the radio.
- Only DISC number and track number are displayed on the radio (Disc number =Playlist number) when using PA15-HON2 with radio's CD or AUX button.

1-3 Package Content

PA15-HON2 contains one PA15-HON2 interface adaptor and one each of the following cables: CAS-H2y, CAS-HXM and CB-PA105 .

1-4 Compatibility

Future iPod and iTunes software updates may affect the features and functions described in this owner's manual and on the website www.usaspec.com.

1-5 Application

Make	Model	Year	Type of Radio	Control iPod with ...	Text Display	Note
A C U R A	MDX	05 - 09	Non-Nav	CDC or XM	yes	(1) (5)
		05 - 06	Nav	CDC or XM	yes	(1)
		07 -09	Nav	CDC	no	(4)
	RL	05 - 09	Non-Nav	CDC or XM	yes	(1)
			Nav	CDC	no	(4)
	TL	04 - 08	Non-Nav	CDC	no	(3)
		04 - 06	Nav	CDC	no	(3)
		07 - 08	Nav	CDC	no	(4)
	TSX	04 -08	Non -Nav	CDC or XM	yes	(1) (5)
		04 - 08	Nav	CDC or XM	yes	(1)
RDX	07 - 09	Non-Nav	CDC or XM	yes	(1) (5)	
		Nav	CDC	no	(4)	

Make	Year	Model	Type of Radio	Control iPod with...	Text Display	Note
H O N D A	Accord	03 - 09	All radios	CDC or XM	yes	(1)
	Civic	06 - 09	All radios	CDC or XM	yes	(1)
	CRV	05 - 09	All radios	CDC or XM	yes	(1)
	Element	03 - 09	All radios	CDC or XM	yes	(1) (2)
	Fit	07 - 09	All radios	CDC	no	(1)
	Odyssey	05 - 09	All radios	CDC or XM	yes	(1)
	Pilot'	06 - 09	All radios	CDC or XM	yes	(1)
	Ridgeline	06 - 09	All radios	CDC or XM	yes	(1)
	S2000	04 - 07	All radios	CDC	no	(1)

Note(1) : XM control and text display is for radios that have a XM button.

Note(2) : Element LX (03-09) should use model PA11-HON adaptor.

Note(3) : Use model PA15-HON3 if text display feature is preferred.

Note(4) : Use model PA15-ACUxl if text display feature is preferred.

Note(5) : Model PA15-HON3 adaptor is also compatible with the radio.

USASPEC verifies the published radio and vehicle application to the best of our ability. Due to uncontrollable factors, **USASPEC** can not 100% guarantee every published application. These factors include variables such as, anomalies within a factory radio, factory radio heretofore unknown to **USASPEC** and partial model year changes.

Section 2. Playlist Mode, Direct Mode, Folder Mode, and AUX Option.

PA15-HON2 provides two ways to control your iPod through car radio, namely (**Playlist Mode + Direct Mode**) and (**Folder Mode + Direct Mode**).

2-1 Direct Mode

Search and select music on iPod just as you would in portable use. Use the track up/down, fast forward/reverse on the radio or the steering wheel to control.

- Direct Mode is supported in both XM control and CD changer control configuration.
- When PA15-HON2 is configured to XM control, XM 1-CH8 is dedicated to Direct Mode.
- When PA15-HON2 is configured to CD changer control, DISC# 8 is dedicated to Direct Mode.
- In Direct Mode, screen and click wheel keypad on iPod are unlocked and fully functional. When in Direct Mode, radio does not display music's text information.
- ***Application Tip***
Direct Mode allows for the playing of free wi-fi music stream such as Pandora.com and SIRIUS XM Online from your iPhone or iTouch through the car stereo

2-2 Folder Mode

Access 3 Folder, namely Playlist, Artist, and Album on iPod from the radio and allows text based song search by the Artist, Album, and Playlist names.

- See section 3-1 for more information.
Folder Mode is applicable only when PA15-HON2 is configured to use XM control and the radio must be XM ready or has a XM button.
- XM 1-1 accesses *Playlist* Folder. Display on radio is : PL-*Playlist name*.
- XM 1-2 accesses *Artist* Folder. Display on radio is : AR-*Artist name*.
- XM 1-3 accesses *Album* Folder. Display on radio is : AL-*Album name*.

CAUTION: Do NOT operate the text based song search feature if it will distract or prevent you from giving your full attention to driving or to the road. Safe driving is your responsibility.

2-3 Playlist Mode

Operate and control the iPod like it is a CD changer. This mode allows you to access six Playlists on iPod from the radio. iPod screen will display “OK to disconnect” or “Attached to accessory” and iPod’s keypad will be locked and not functional.

- Playlist Mode is supported in both XM control configuration and CD changer control configuration.
- Radio displays artist name and song title only when adaptor is configured to control iPod with XM button on the radio.
- When PA15-HON2 is configured to use XM control, CH01 to CH06 are Playlists and CH-07 is All Songs on iPod.
- When PA15-HON2 is configured to use CD changer control. DISC #1 to DISC #6 are Playlists and DISC #7 is All Song on iPod.

2-4 AUX Input Option

In addition to iPod, PA15-hon2 also can connect a second audio source to car radio. Connect the second audio source to the RCA jack labeled **AUX**. **AUX** input is enabled by setting the DIP switch #1 to ON position at the side of the interface adaptor to ON position.

Section 3. Mode Setting and Function Control

Before starting the installation, please carefully read the three different configuration of PA15-HON2 and decided which one to use then set the Dip switches accordingly.

Note: Radios that do not have a XM button can only be configured to CD changer control. See Section 3-3 for details.

3-1 Folder Mode + Direct Mode Configuration

(Note: this configuration supports text display but is applicable only to radios that have a XM button.)

3-1-1 Set DIP switches as follow:

DIP #2	DIP #3	DIP #4
OFF	ON	OFF

Note: DIP switch #1 is only related to RCA AUX option setting and it is independent from these DIP switch setting.

3-1-2 Functions and Radio Buttons

- Press XM button on radio to access iPod at XM1.
- Press XM button on radio to access XM stations at XM2. There will be a time delay when switching from XM1 to XM2. The length of delay varies by radio models.
- Use radio Preset buttons to access iPod Folders, Direct Mode, and RCA AUX as follow:

Push.....	Radio Displays	Radio Plays	Remark
Preset #1	XM 1-1	Playlist Folders	
Preset #2	XM 1-2	Artist Folders	
Preset #3	XM 1-3	Album Folders	
Preset #4	XM 1-4	All Songs Folder	
Preset #5	XM 1-5	iPod Direct	
Preset #6	XM 1-6	RCA AUX	IF DIP #1=ON

- Push DISP button on radio to view text information of music. Text display on radio is as follow: (Note: available on XM ready radios only.)

DISP Button	Prefix Text from Radio	Text from iPod	Note
1st Push →	XM CHannel NUMBER	<i>track number</i>	
2nd Push →	XM CATEGORY	<i>folder type & name</i>	
3rd Push →	NAME	<i>artist name</i>	
4th Push →	TITLE	<i>album name</i>	
4th Push →	XM CHannel NAME	<i>song title</i>	

- Press SEEK (- / +) or SKIP (◀◀, ▶▶) button to select sub-folder (example: change to next or previous Playlist while in the Playlist folder; change to next or previous Artist while in the Artist folder).
- Press-and-hold (about 5 seconds) the preset #2 button to begin the RANDOM track play function. Press-and-hold the preset #2 button for the 2nd time (about 5 seconds) to terminate the RANDOM play.
- Press-and-hold (about 4 seconds) the preset #3 or the preset #4 button to fast rewind or fast forward the playing track for approximately 40 seconds respectively.
- Press the SCAN button to advance 10 tracks.
- Steering wheel control:
Several different steering wheel XM control designs are available from Honda and Acura. Some of the designs allow PA15-HON2 to do track up/down while others only allow Playlist or Folder change from the steering wheel control. In general, it is able to do track up/down if the CH+ / CH- keys on the steering wheel are the double-functioned type. Double-function means that the CH+ and CH- buttons can perform two different tasks depending on the length of time it is being pressed.

3-1-3 Connecting and Playing iPod

- When iPod is connected to the interface adaptor and XM1 on radio is pushed, iPod will begin to play at XM1-CH4.
- XM1-CH4 will continue to play the track in the Folder which was played prior to iPod is connected to PA15-HON2. When the last track of the Folder is completed, iPod will go to the first track of All Songs folder.

- When returning to XM1-CH4 from Direct Mode, XM1-CH4 will continue the track and the folder being played at XM1-CH5 (Direct Mode). When the last track of the folder is completed, iPod will go to the first track of All Songs folder.

3-2 Playlist Mode (with Text display) + Direct Mode Configuration

(Note: this configuration supports text display but it is applicable only to radios that have a XM button.)

3-2-1 Set DIP switches as follow:

DIP #2	DIP #3	DIP #4
OFF	ON	ON

Note: DIP switch #1 is only related to RCA AUX option setting and it is independent from these DIP switch settings.

3-2-2 Functions and Radio Buttons

- Press XM button on radio to access iPod at XM1
- Press XM button on radio to access XM station at XM2. There will be a time delay when switching from XM1 to XM2. The length of delay varies by radio models
- Use DISC+ or DISC- button on radio to access Playlist, Direct Mode and RCA AUX as follow: (note: DISC- is Preset button #5 and DISC+ is Preset button #6)

<i>At....</i>	<i>Radio Plays</i>	<i>Remark</i>
XM1- 1	Playlist # 1	
XM1- 2	Playlist # 2	
XM1- 3	Playlist # 3	
XM1- 4	Playlist # 4	
XM1- 5	Playlist # 5	
XM1- 6	Playlist # 6	
XM1- 7	All Songs	
XM1- 8	Direct Mode	
XM1- 9	RCA AUX	IF DIP #1= ON

- Push DISP button on the radio to view music's text information. Text display on radio is as follow: (Note: available on XM ready radios only.)

DISP Button	Prefix Text from Radio	Text from iPod	Note
1st Push →	XM CHannel NUMBER	<i>track number</i>	
2nd Push →	XM CATEGORY	<i>folder type & name</i>	
3rd Push →	NAME	<i>artist name</i>	
4th Push →	TITLE	<i>album name</i>	
4th Push →	XM CHannel NAME	<i>song title</i>	

- Turn the TUNING knob to change track.
- Press preset button #2 to begin the RANDOM track play and press the preset #2 button 2nd time to terminate the RANDOM play.
- Press the preset #3 or the preset #4 button to retreat or advance 10 tracks respectively. Press-and-hold the preset #3 or the preset #4 button to fast rewind or fast forward the playing track for approximately 40 seconds respectively.
- Steering wheel control:
Several different steering wheel XM control designs are available from Honda and Acura. Some of the designs allow PA15-HON2 to do track up/down while others only allow Playlist or Folder change from the steering wheel control. In general, it is able to do track up/down if the CH+ / CH- keys on the steering wheel are the double-functioned type. Double-function means CH+ and CH- buttons can perform two different tasks depending on the length of time it is being pressed.

3-2-3 Connecting and Playing iPod

- When iPod is connected to the interface adaptor and XM on radio is pushed, iPod will begin to play at XM1-7 (some radio models will display XM1-CH7).
- XM1-CH7 will continue to play the track in *the* Folder which was played prior to iPod is connected to PA15-HON2. When the last track of *the* Folder is completed, iPod will go to the first track of All Songs folder.
- When returning to XM1-CH7 from Direct Mode, XM1-CH7 will continue the track and the folder being played at XM1-CH8 (Direct Mode). When the last track of the folder is completed, iPod will go to All Songs folder.
- If iPod has more than 6 Playlists then see Section 5: Playlist Naming.

3-3 Playlist Mode (without Text Display) + Direct Mode Configuration

Note: Radio without a XM or SAT button must use this configuration of PA15-HON2.

3-3-1 Set DIP switches as follow:

DIP #2	DIP #3	DIP #4
ON	ON	ON

Note: DIP switch #1 is only related to RCA AUX option setting and it is independent from these DIP switch settings.

3-3-2 Functions and Radio Buttons

- Press CD or AUX button on the radio to access iPod.
- Use DISC+ or DISC- button on the radio to access Playlist, Direct Mode, and RCA AUX as follow:

<i>At.....</i>	<i>Radio Plays</i>	<i>Remark</i>
Disc 1	Playlist #1	
Disc 2	Playlist #2	
Disc 3	Playlist #3	
Disc 4	Playlist #4	
Disc 5	Playlist #5	
Disc 6	Playlist #6	
Disc 7	All Songs	
Disc 8	Direct Mode	
Disc 9	RCA AUX	IF DIP #1=ON

- Track up and down from steering wheel remote control is supported.

3-3-3 Connecting and Playing iPod

- When iPod is connected to the interface adaptor and CD button is pressed, iPod will play at DISC #7.
- DISC #7 will continue to play the track in the Folder which was played prior to iPod is connected to PA15-HON2. When the last track of the Folder is completed, iPod will go to the first track of All Songs folder.
- When returning to DISC #7 from Direct Mode, DISC #7 will continue the track and the folder being played at DISC #8 (Direct Mode). when the last track of the folder is completed, iPod will go to All Songs folder.
- If iPod has more than 6 Playlists, see Section 5: Playlist Naming.

Section 4. CABLE CONNECTION

- Step 1-Decide which MODE to use and set DIP switches according to information in Section 3.
- Step 2-Must remove or eject all CDs from the radio.
- Step 3-Remove the radio from dash.
- Step 4-Plug the 14-pin male connector on the **USASPEC** CAS-H2y cable to the radio. If a factory cable with the same identical 14-pin male connector is already connected to the radio then unplug the factory cable from the radio first.
- Step 5-If DIP switch #2 is set to OFF position and the vehicle has a factory XM receiver, skip to step 12.**
- Step 6-Plug the factory 14-pin male connector to **USASPEC** 14-pin female connector on CAS-H2Y cable. Reference Fig. (1).
- Step 7-Plug the round 8-pin DIN connector on the **USASPEC** CAS-H2y cable to the adaptor where it is labeled RADIO.
- Step 8-If the vehicle has Rear-Seat-Entertainment system, wire ACCessory power with a relay. Reference Fig. (3).
- Step 9- Connect your audio source to the RCA jacks on the adaptor if AUX option is selected by DIP switch #1=ON.
- Step 10- Plug the CB-PA105 cable to the adaptor where it is labeled iPod.
- Step 11- Reinstall radio back to the dash only after a successful test is done.
- Step 12- Plug the factory 14-pin cable to the 14-pin female connector on the **USASPEC** CAS-HXM cable. Reference Fig. (2) .
- Step 13- Plug the 14-pin male connector on the **USASPEC** CAS-HXM cable to the 14-pin female connector on the **USASPEC** CAS-H2y cable.
- Step 14- Plug the orange color wire on CAS-HXM to PA15-HON2 adaptor where it is labeled XM.
- Step 15- Go to Step 7, 8, 9, 10 and 11.

Note: On some of HONDA radios, the 14-pin connector is located on the bottom side of the radio chassis.

WARNING!!

Use only the iPod connection cable which comes with PA15-HON2 interface adaptor. iPod connection cables from other sources may look similar, but they may damage your iPod.

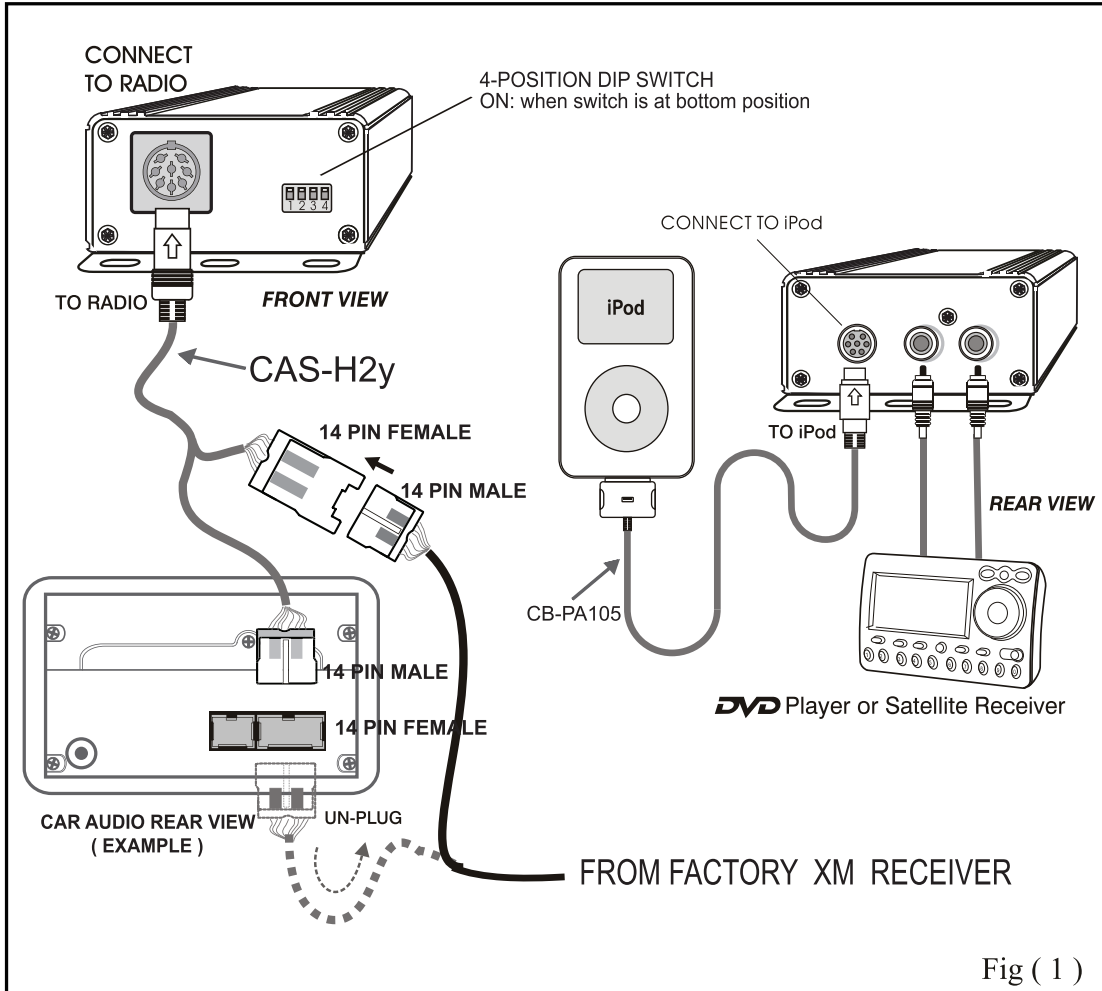
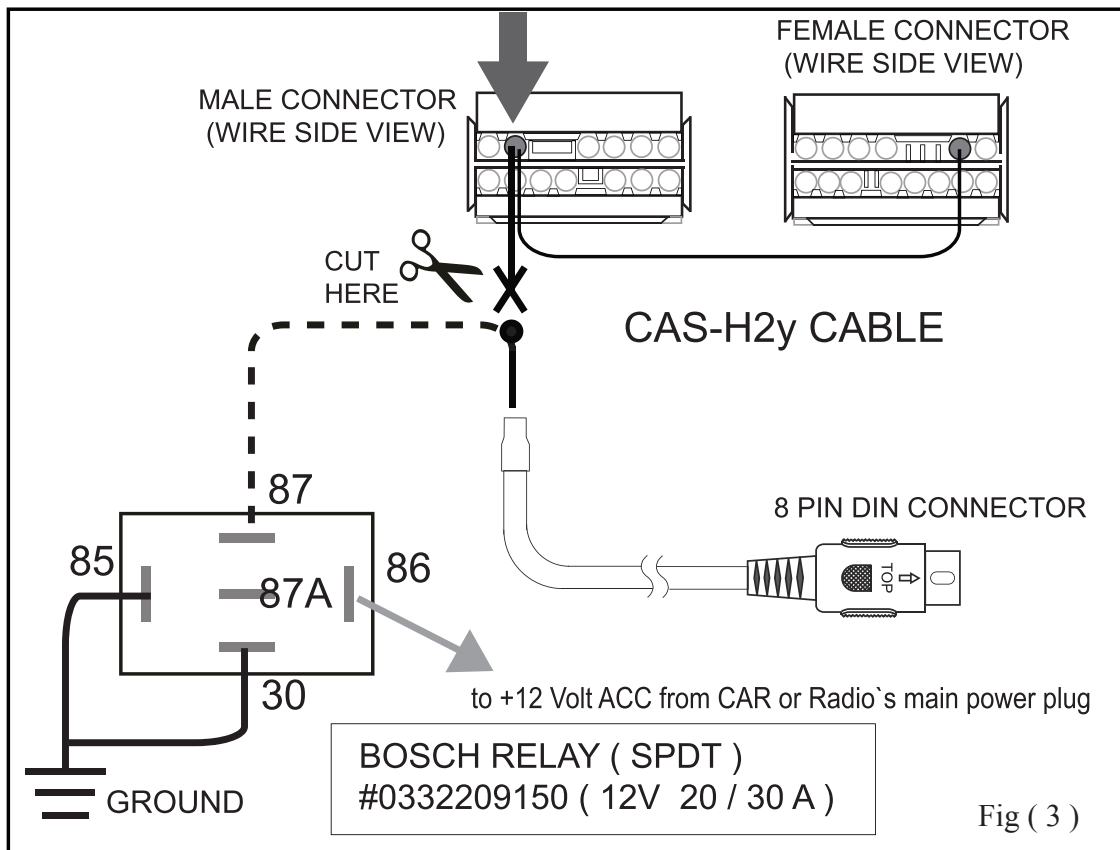
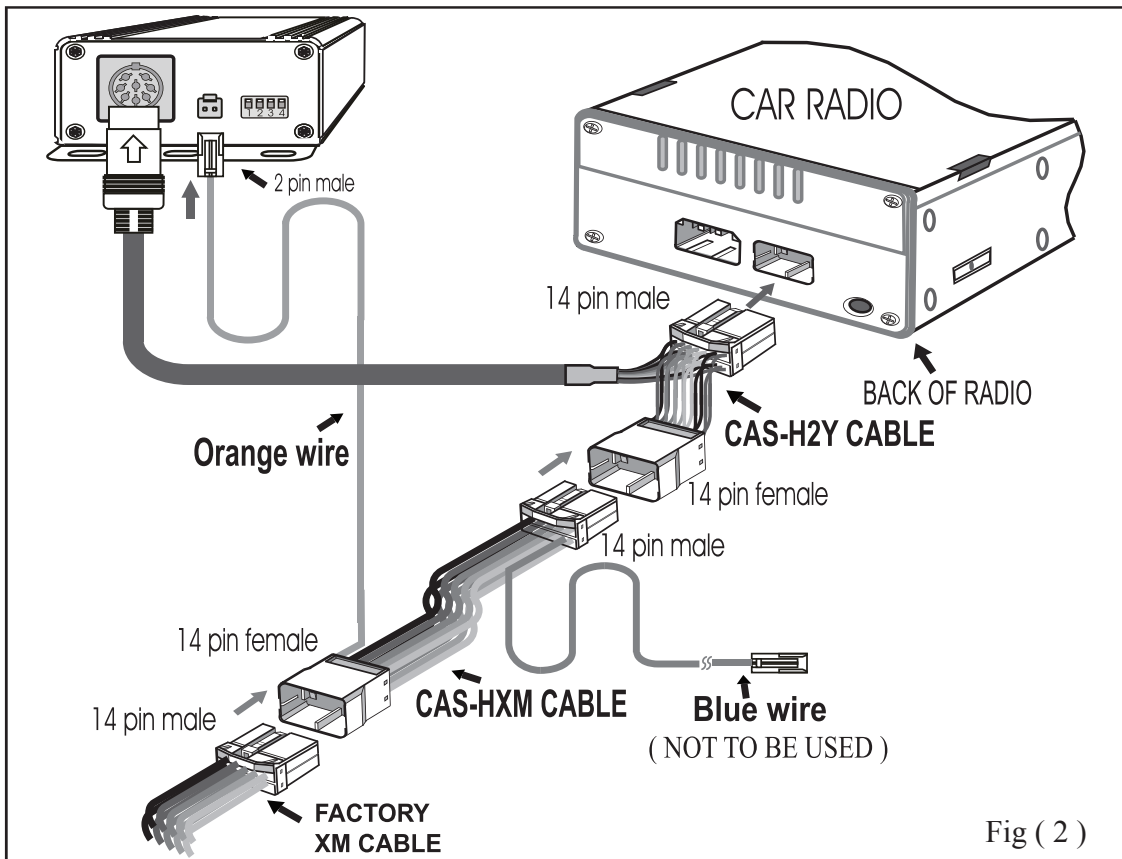


Fig (1)



NOTE: THE OTHER WIRES ON **USA-SPEC** CAS-H2y CABLE ARE NOT SHOWN ON THE DIAGRAM.

Section 5. Playlist Naming

- 5-1** When iPod is connected to your radio via PA15-HON2, the adaptor scans all available Playlists and Folders on iPod and looks for designated HONDA Playlists which are **created with iTunes** for direct access from HONDA / ACURA radio. The designated HONDA Playlists should be named as follow if your iPod has more than 6 Playlists.

Playlist #1: HONDA1...

Playlist #2: HONDA2...

Playlist #3: HONDA3...

Playlist #4: HONDA4...

Playlist #5: HONDA5...

Playlist #6: HONDA6...

The word HONDA must be in capital letters and there can not be any spaces between the word HONDA and the numbers.

You may append text to the designated HONDA Playlist names. Example: HONDA1-jazz, HONDA3_Favorite3, HONDA5podcast, and etc.

- 5-2** If less than 6 designated HONDA Playlist are created with iTunes, PA15-HON2 adaptor will automatically fill the rest of the Playlist numbers beginning with the first available playlist on iPod. Example: if only 3 designated HONDA1, HONDA3 and HONDA5 Playlist are created, the Playlist number no radio will be:

Playlist #1: HONDA1...

Playlist #2: (the 1st available Playlist on iPod)

Playlist #3: HONDA3...

Playlist #4: (the 2nd available Playlist on iPod)

Playlist #5: HONDA5...

Playlist #6: (the 3rd available Playlist on iPod)

XM is a registered trademark of SIRIUS XM RADIO Inc.

iPod, iTunes and iPhone are registered trademarks of Apple Inc.

ACURA and HONDA are registered trademarks of Honda Co., Ltd.

Design of this product is subject to change without notice.

CAUTION

- In general, iPods have not been designed to withstand temperature extremes in automobiles. Please consult your iPod owner's manual regarding acceptable operation and storage temperatures.
- Do not disassemble or alter the cables and interface box.
- Make the connections correctly.
- Do not cut away the wire sheath or use the power for other equipment.
- Do not install in locations which might hinder vehicle operation or create hazards for vehicle occupants.
- Have the wiring and installation done by professionals.
- Arrange wiring so it is not crimped or pinched.
- Do not use this product for purposes other than stated for the vehicle.