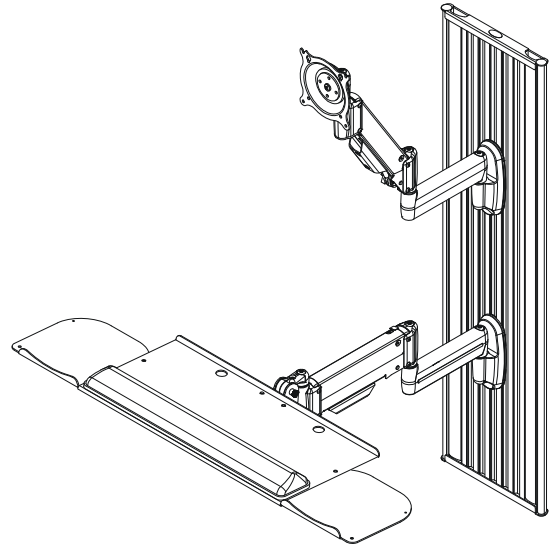
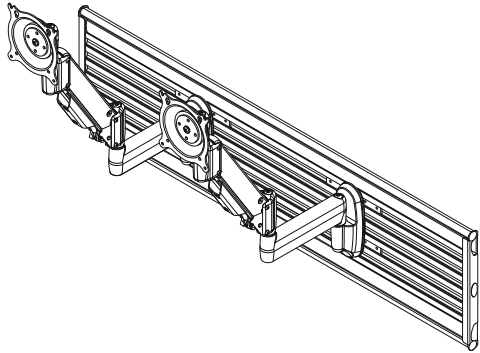

INSTALLATION INSTRUCTIONS



SFP WALL TRACK ACCESSORY

DISCLAIMER

Milestone AV Technologies and its affiliated corporations and subsidiaries (collectively "Milestone"), intend to make this manual accurate and complete. However, Milestone makes no claim that the information contained herein covers all details, conditions or variations, nor does it provide for every possible contingency in connection with the installation or use of this product. The information contained in this document is subject to change without notice or obligation of any kind. Milestone makes no representation of warranty, expressed or implied, regarding the information contained herein. Milestone assumes no responsibility for accuracy, completeness or sufficiency of the information contained in this document.

Chief® is a registered trademark of Milestone AV Technologies. All rights reserved.

IMPORTANT WARNINGS AND CAUTIONS!

WARNING: A WARNING alerts you to the possibility of serious injury or death if you do not follow the instructions.

CAUTION: A CAUTION alerts you to the possibility of damage or destruction of equipment if you do not follow the corresponding instructions.

WARNING: Failure to read, thoroughly understand, and follow all instructions can result in serious personal injury, damage to equipment, or voiding of factory warranty! It is the installer's responsibility to make sure all components are properly assembled and installed using the instructions provided.

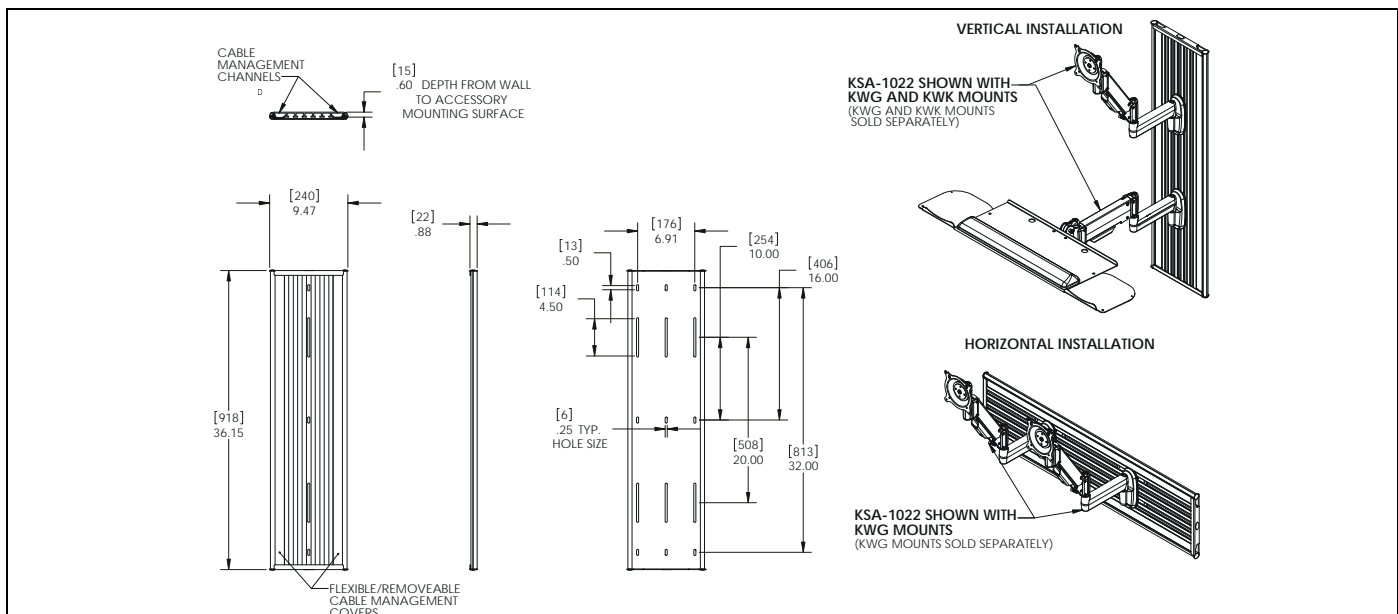
WARNING: Failure to provide adequate structural strength for this component can result in serious personal injury or damage to equipment! It is the installer's responsibility to make sure the structure to which this component is attached can support five times the combined weight of all equipment. Reinforce the structure as required before installing the component.

WARNING: Exceeding the weight capacity can result in serious personal injury or damage to equipment! It is the installer's responsibility to make sure the weight of each component attached to the KSA-1022 wall track accessory does not exceed 25 lbs (11.3 kg) or the specific weight limit for the attached mounting device. Additionally, there is a limit on how many components may be mounted on each bracket depending on the mounting method. Refer to the table below for details.













Two Mount Maximum	Three Mount Maximum
Horizontal, dual stud mounting	Horizontal, triple stud mounting
Vertical, drywall mounting	Vertical, single stud mounting

WARNING: The KSA-1022 wall track accessory CANNOT be installed horizontally on drywall without the use of wood or steel studs. The drywall must have a minimum thickness of 1/2".

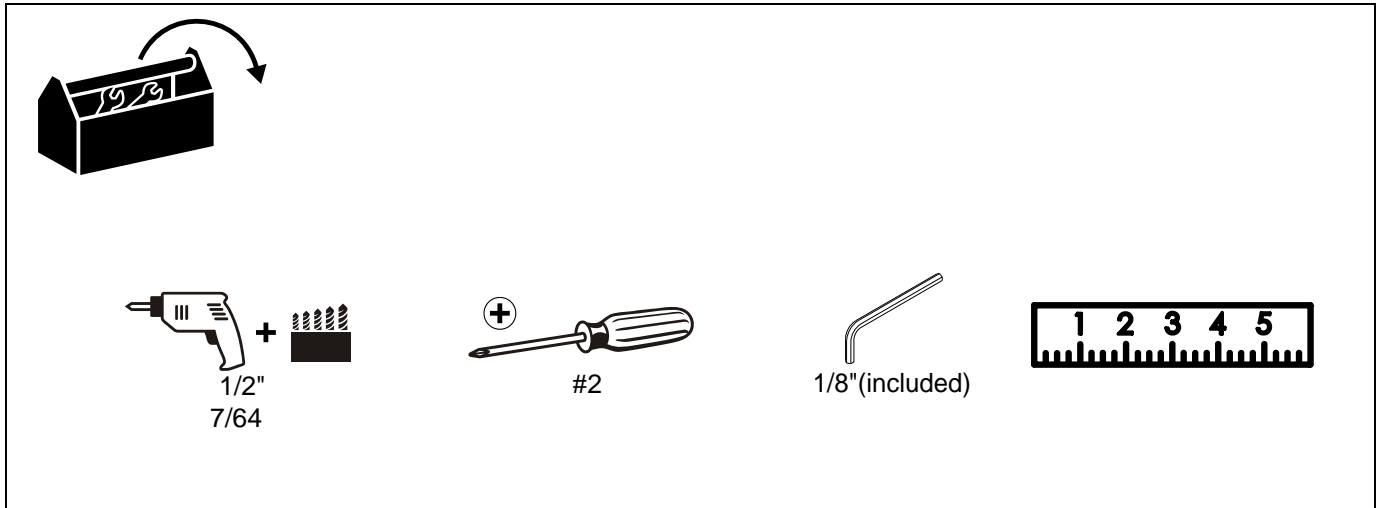
DIMENSIONS



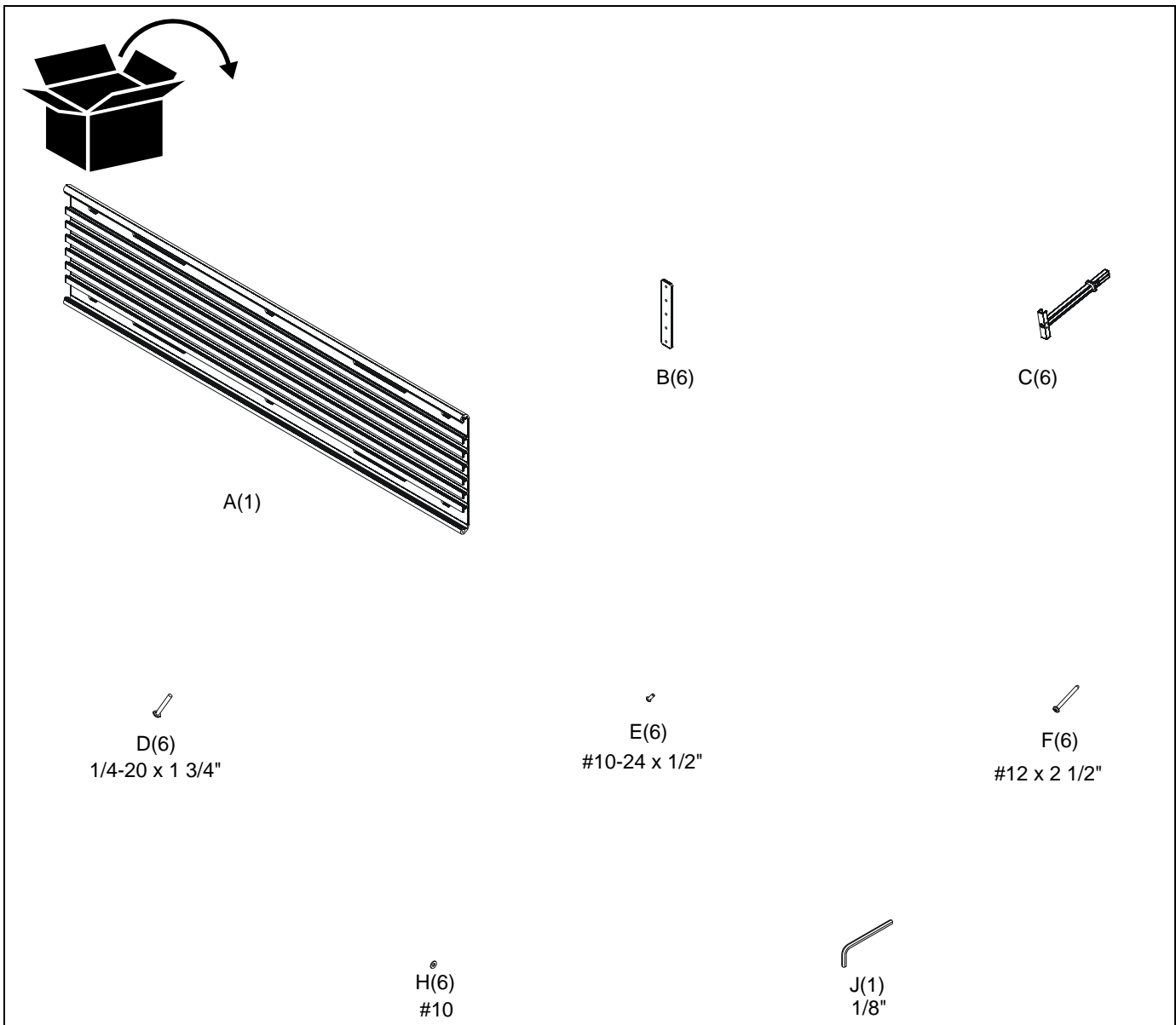
LEGEND

	<p>Tighten Fastener</p> <p>Apretar elemento de fijación</p> <p>Befestigungsteil festziehen</p> <p>Apertar fixador</p> <p>Serrare il fissaggio</p> <p>Bevestiging vastdraaien</p> <p>Serrez les fixations</p>		<p>Pencil Mark</p> <p>Marcar con lápiz</p> <p>Stiftmarkierung</p> <p>Marcar com lápis</p> <p>Segno a matita</p> <p>Potloodmerkteken</p> <p>Marquage au crayon</p>
	<p>Loosen Fastener</p> <p>Aflojar elemento de fijación</p> <p>Befestigungsteil lösen</p> <p>Desapertar fixador</p> <p>Allentare il fissaggio</p> <p>Bevestiging losdraaien</p> <p>Desserrez les fixations</p>		<p>Drill Hole</p> <p>Perforar</p> <p>Bohrloch</p> <p>Fazer furo</p> <p>Praticare un foro</p> <p>Gat boren</p> <p>Percez un trou</p>
	<p>Phillips Screwdriver</p> <p>Destornillador Phillips</p> <p>Kreuzschlitzschraubendreher</p> <p>Chave de fendas Phillips</p> <p>Cacciavite a stella</p> <p>Kruiskopschroevendraaier</p> <p>Tournevis à pointe cruciforme</p>		<p>Adjust</p> <p>Ajustar</p> <p>Einstellen</p> <p>Ajustar</p> <p>Regolare</p> <p>Afstellen</p> <p>Ajuster</p>
	<p>Open-Ended Wrench</p> <p>Llave de boca</p> <p>Gabelschlüssel</p> <p>Chave de bocas</p> <p>Chiave a punte aperte</p> <p>Steeksleutel</p> <p>Clé à fourche</p>		<p>Remove</p> <p>Quitar</p> <p>Entfernen</p> <p>Remover</p> <p>Rimuovere</p> <p>Verwijderen</p> <p>Retirez</p>
	<p>By Hand</p> <p>A mano</p> <p>Von Hand</p> <p>Com a mão</p> <p>A mano</p> <p>Met de hand</p> <p>À la main</p>		<p>Optional</p> <p>Opcional</p> <p>Optional</p> <p>Opcional</p> <p>Opzionale</p> <p>Optie</p> <p>En option</p>
	<p>Hex-Head Wrench</p> <p>Llave de cabeza hexagonal</p> <p>Sechskantschlüssel</p> <p>Chave de cabeça sextavada</p> <p>Chiave esagonale</p> <p>Zeskantsleutel</p> <p>Clé à tête hexagonale</p>		<p>Security Wrench</p> <p>Llave de seguridad</p> <p>Sicherheitsschlüssel</p> <p>Chave de segurança</p> <p>Chiave di sicurezza</p> <p>Veiligheidsleutel</p> <p>Clé de sécurité</p>

TOOLS REQUIRED FOR INSTALLATION



PARTS



WALL TRACK INSTALLATION

1. Determine mounting location on wall.
2. Determine whether wall track accessory will be mounted horizontally or vertically.



WARNING: There is a limit on how many components may be mounted on each bracket depending on the mounting method. Refer to the table below for details.

Two Mount Maximum	Three Mount Maximum
Horizontal, dual stud mounting	Horizontal, triple stud mounting
Vertical, drywall mounting	Vertical, single stud mounting



WARNING: The KSA-1022 wall track accessory CANNOT be installed horizontally on drywall without wood or steel studs.

NOTE: It may be necessary to remove cable management flaps from wall track accessory in order to expose holes to be used for installation.

Vertical Installation using Wood Studs

1. Using a stud finder or similar method locate stud.
2. Align the middle mounting holes on mount with stud making sure mounting holes are centered on stud. (See Figure 1)

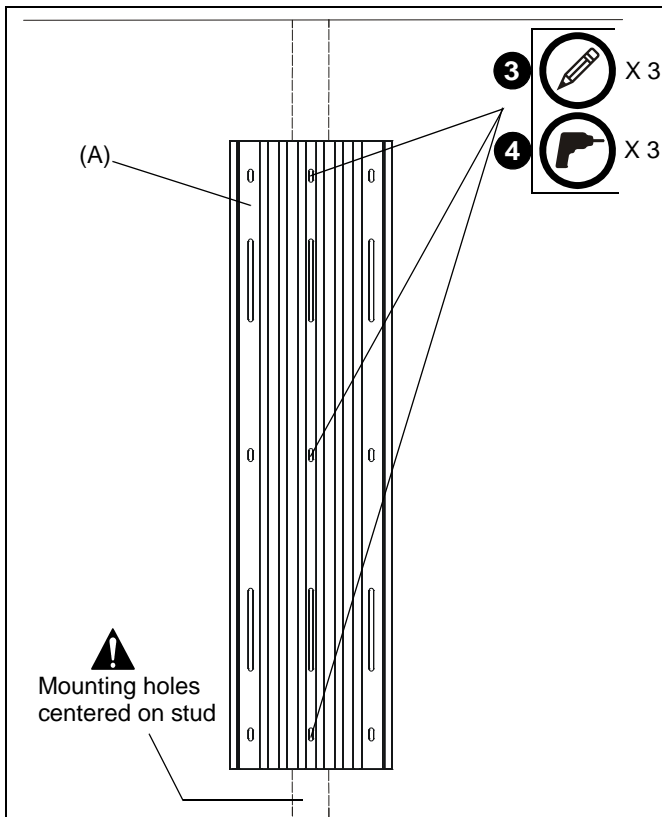


Figure 1

3. Using wall track accessory (A) as a template, mark location of three mounting holes on wall. (See Figure 1)
4. Drill three 7/64" holes. (See Figure 1)
5. Install three #12 x 2 1/2" round pan wood screws (F) through small center bracket holes and into drilled holes. (See Figure 2)

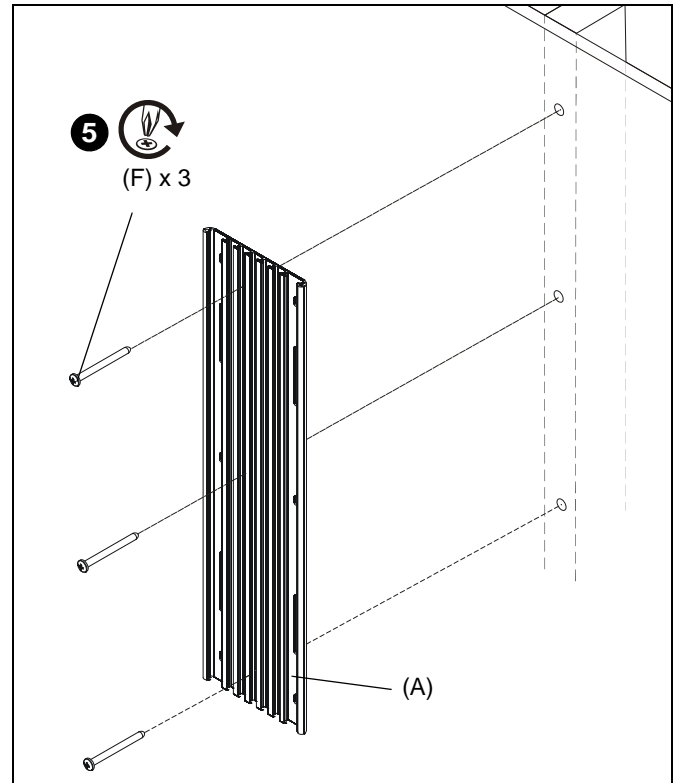


Figure 2

Vertical Installation on Drywall



WARNING: Drywall must be at least 1/2" thick in order to install wall track accessory.

1. Using wall track accessory (A) as a template, mark location of six mounting holes on wall making sure it will be level. (See Figure 3)

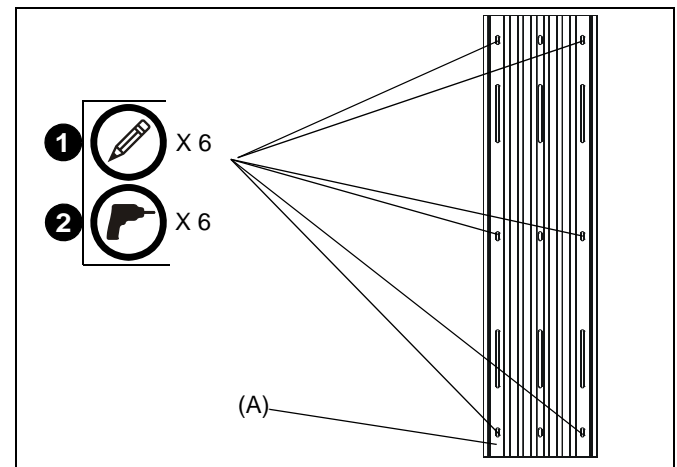


Figure 3

2. Drill six 1/2" holes at locations marked in Step 1. (See Figure 3)
3. Hold metal channel on anchor (C) flat alongside plastic straps and slide channel through hole. (See Figure 4)

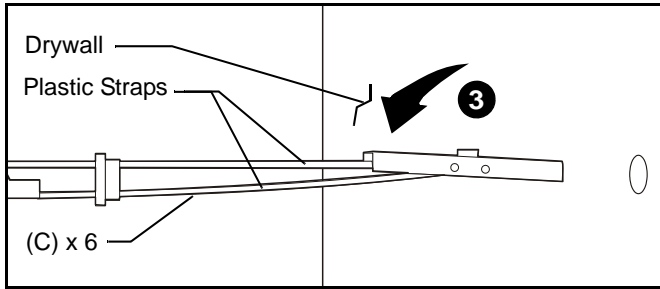


Figure 4

4. Holding plastic straps on anchor (C), pull anchor away from wall until channel rests flush behind wall making sure anchor channel is positioned vertically on stud. (See Figure 5)
5. Slide plastic cap on anchor (C) towards wall until flange of cap is flush with wall. (See Figure 5)

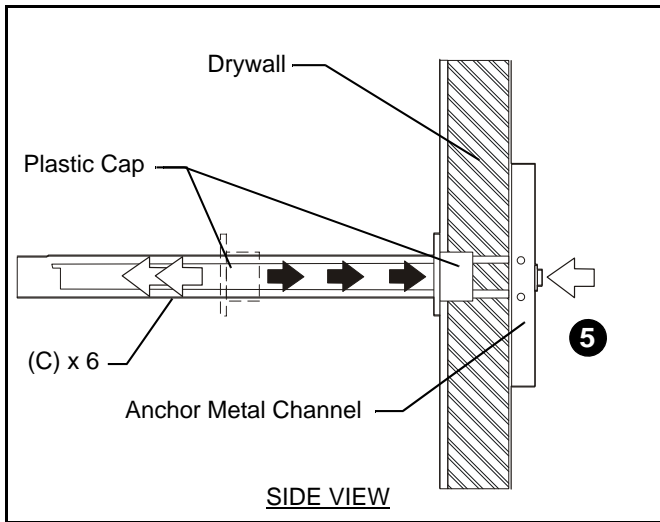


Figure 5

6. Snap off plastic straps on anchor at wall by pushing side to side, snapping off straps level with flange of plastic cap. (See Figure 6)
7. Repeat steps 3 through 6 for each mounting hole.

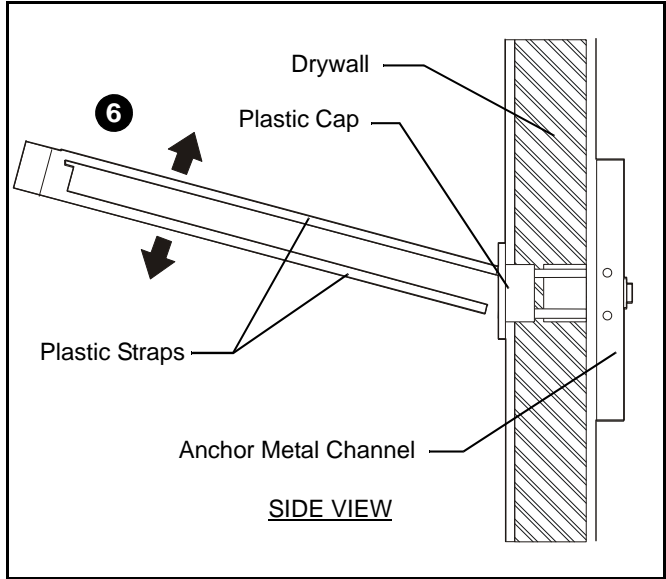


Figure 6

8. Place wall track accessory over anchors and align mounting holes in display mount with holes in anchors. (See Figure 6)
9. Insert 1/4-20 x 1 3/4" Phillips pan head screws (D) through corresponding mounting hole on wall track accessory and into anchor (C) and tighten until flush against mount. DO NOT overtighten! (See Figure 7)
10. Repeat steps 8 through 9 for remaining 5 mounting holes.

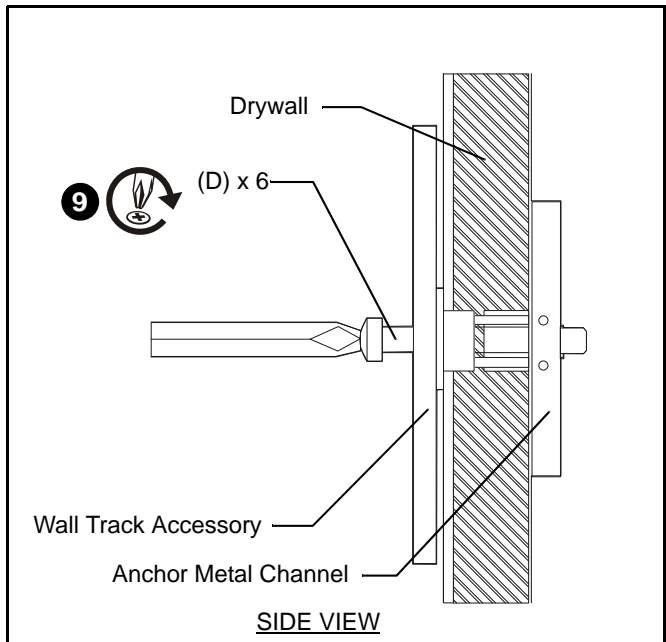


Figure 7

Horizontal Installation using Wood Studs

NOTE: Wall track accessory may be mounted horizontally to two studs that are 16", 20" or 24" apart or to three studs that are 16" apart.

1. Use a stud finder or similar method to determine location of studs.
2. Draw a vertical line down the center of the studs to be used. (See Figure 8)
3. Remove cable management flaps from wall track accessory to expose holes to be used for installation.
4. Using wall track accessory (A) as a template, mark location of three mounting holes on wall. Make sure wall track accessory is level. (See Figure 8)



WARNING: Only long holes may be used to mount device on dual studs. DO NOT mount device using the small holes unless mounting on three studs.

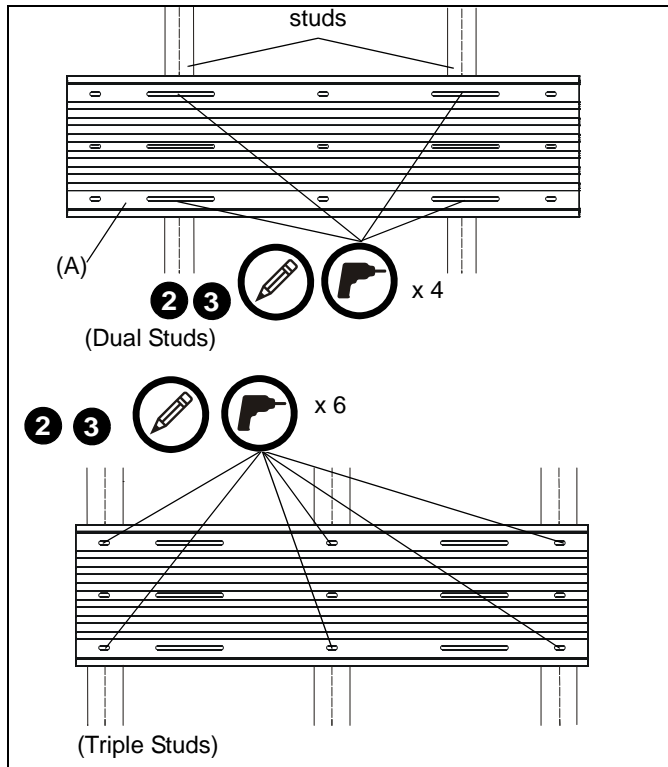


Figure 8

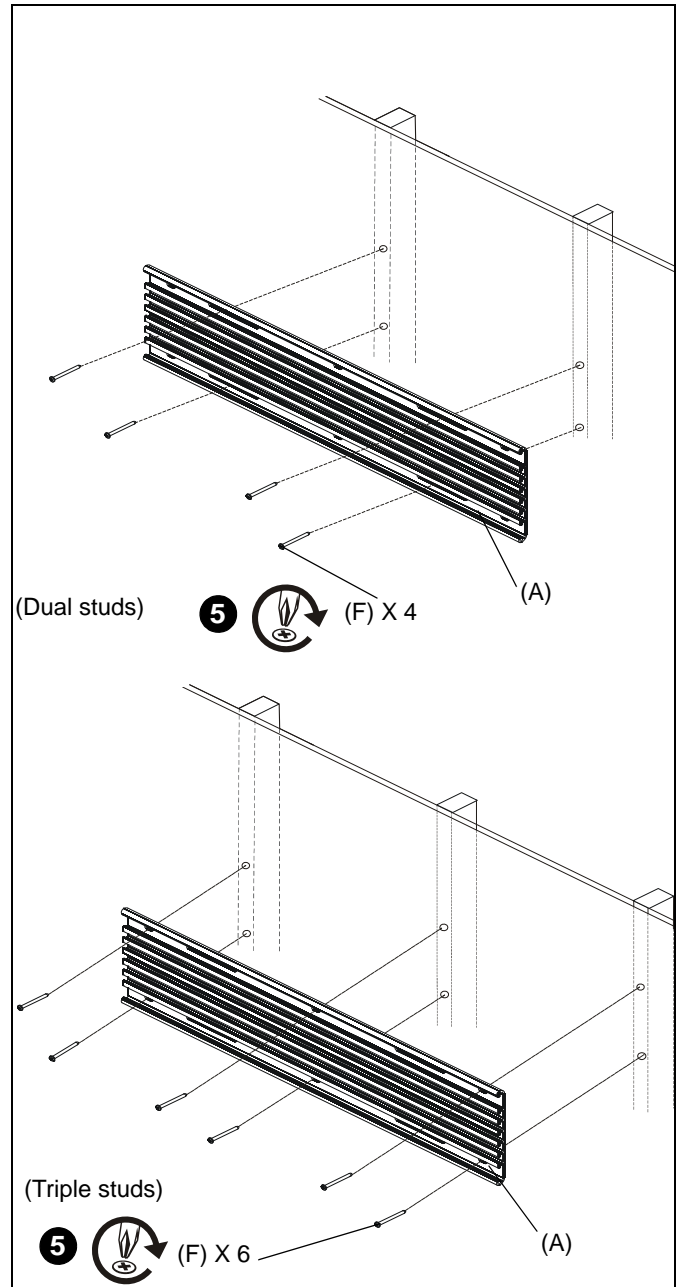


Figure 9

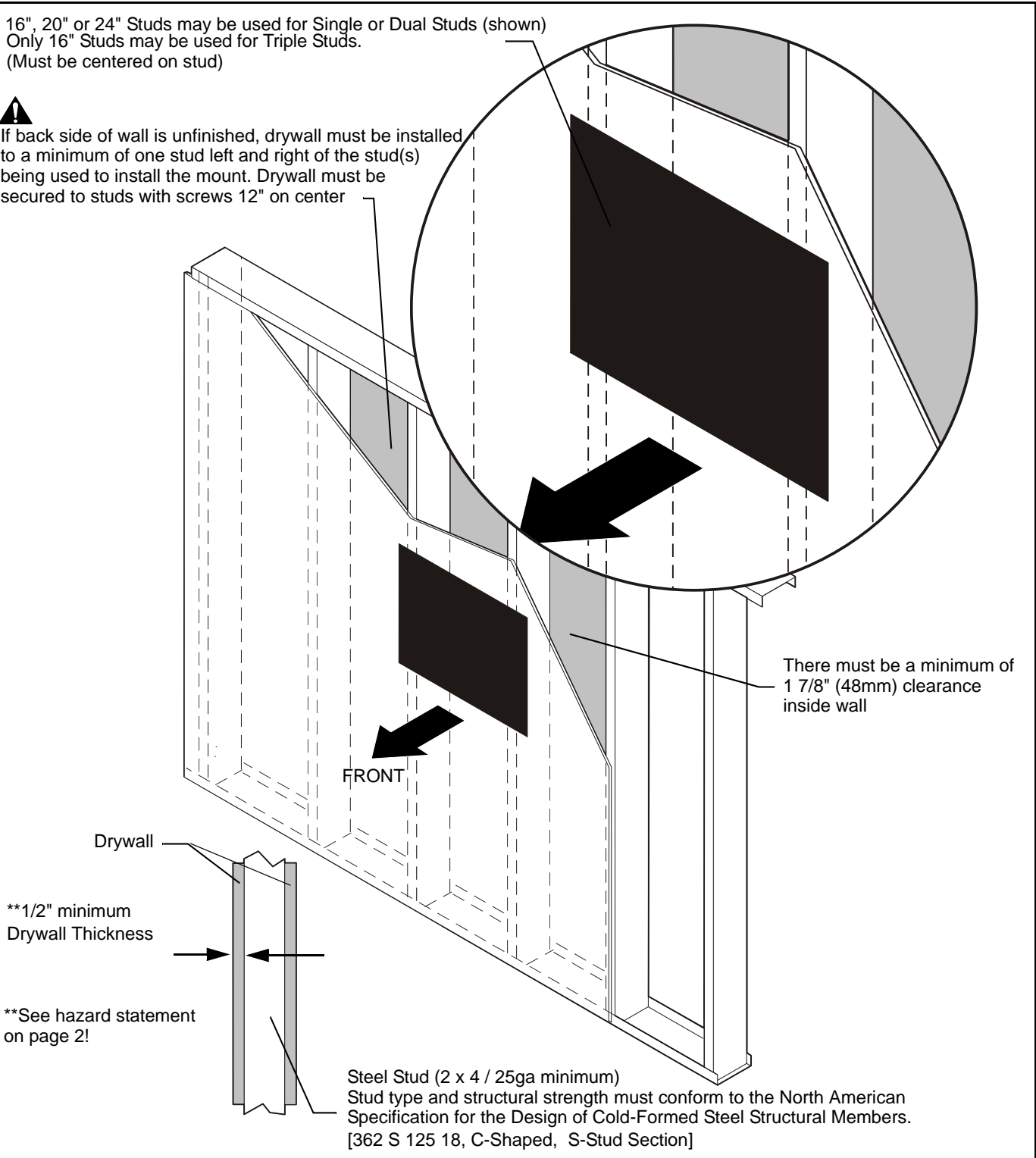
5. Drill 7/64" holes at each marked location. (See Figure 8)
6. Install four (two studs) or six (three studs) #12 x 2 1/2" round pan wood screws (F) through wall accessory holes into the holes drilled in Step 4. (See Figure 9)

Site Requirements for Steel Studs

⚠ WARNING: IMPROPER INSTALLATION CAN LEAD TO EQUIPMENT FALLING CAUSING SERIOUS PERSONAL INJURY OR DAMAGE TO EQUIPMENT! The figure below identifies the minimum requirements for installation of display mounts onto a steel stud structure. If the structure or its components do not meet these requirements contact the mount manufacturer for specific instructions before attempting installation. It should also be noted that no other equipment should be mounted to the same stud.

16", 20" or 24" Studs may be used for Single or Dual Studs (shown)
Only 16" Studs may be used for Triple Studs.
(Must be centered on stud)

⚠ If back side of wall is unfinished, drywall must be installed to a minimum of one stud left and right of the stud(s) being used to install the mount. Drywall must be secured to studs with screws 12" on center



Vertical Installation using Steel Studs

After determining the site meets the installation requirements:

1. Identify desired mounting location on wall.
2. Using a stud finder or similar method locate stud.
3. Align the middle mounting holes on mount with stud making sure mounting holes are centered on stud. (See Figure 10)
4. Using wall track accessory (A) as a template, mark location of three mounting holes on wall. (See Figure 10)

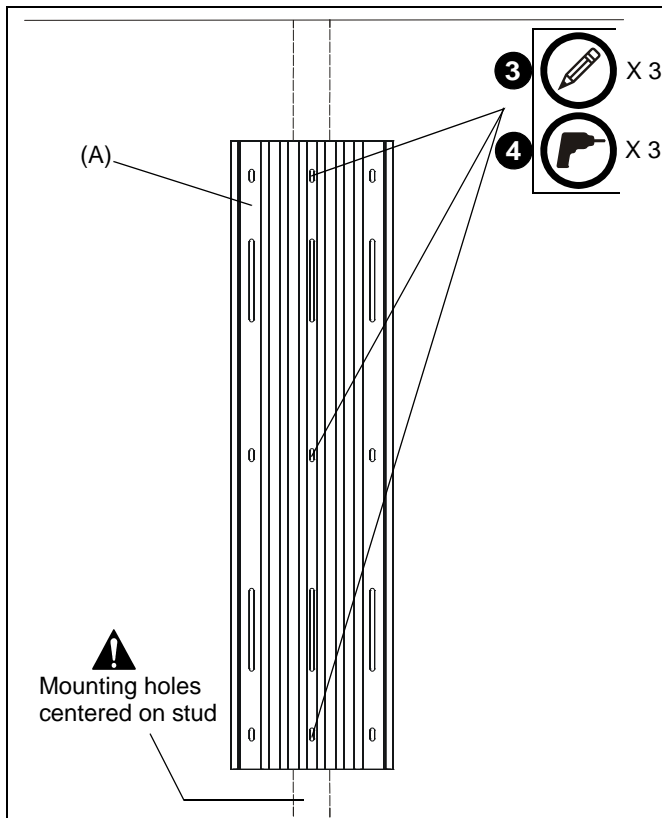


Figure 10

5. Drill three 1/2" holes in locations marked in Step 4.
6. Hold metal channel on anchor (C) flat alongside plastic straps and slide channel through hole. (See Figure 11)

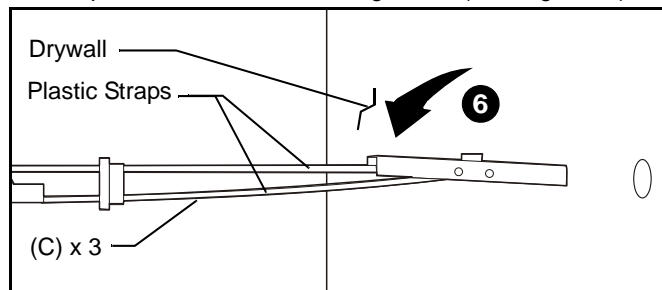


Figure 11

7. Holding plastic straps on anchor (C), pull anchor away from wall until channel rests flush behind wall making sure

anchor channel is positioned vertically on stud. (See Figure 12)

8. Slide plastic cap on anchor (C) towards wall until flange of cap is flush with wall. (See Figure 12)

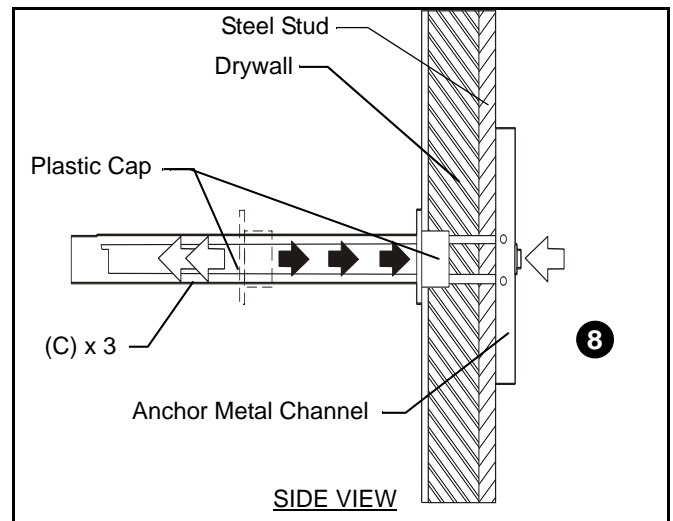


Figure 12

9. Snap off plastic straps on anchor at wall by pushing side to side, snapping off straps level with flange of plastic cap. (See Figure 13)
10. Repeat steps 6 through 9 for each mounting hole.

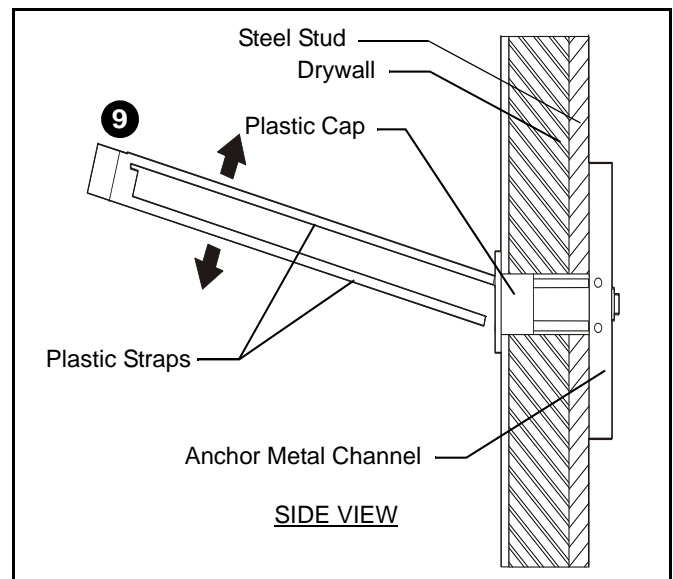


Figure 13

11. Place wall track accessory over anchors and align mounting holes in display mount with holes in anchors. (See Figure 13)
12. Insert 1/4-20 x 1 3/4" Phillips pan head screws (D) through corresponding mounting hole on wall track accessory and into anchor (C) and tighten until flush against mount. DO NOT overtighten! (See Figure 14)
13. Repeat steps 11 through 12 for remaining 2 mounting holes.



WARNING: IMPROPER INSTALLATION CAN LEAD TO EQUIPMENT FALLING CAUSING SERIOUS PERSONAL INJURY OR DAMAGE TO EQUIPMENT! Overtightening of mounting hardware can damage the steel studs. DO NOT overtighten mounting hardware!

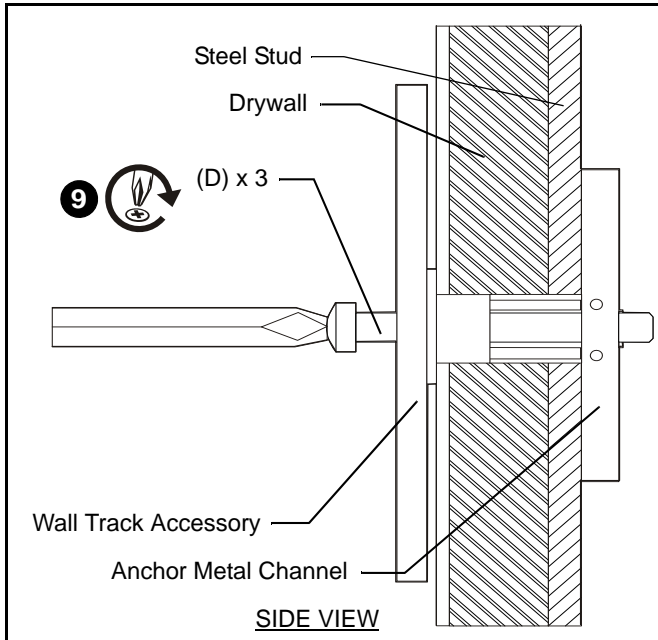


Figure 14

Horizontal Installation Using Steel Studs

NOTE: Wall track accessory may be mounted horizontally to two studs that are 16", 20" or 24" apart or to three studs that are 16" apart.

After determining the site meets the installation requirements:

1. Identify desired mounting location on wall.
2. Use a stud finder or similar method to determine location of studs.
3. Draw a vertical line down the center of the studs to be used. (See Figure 8)
4. Using wall track accessory (A) as a template, mark location of three mounting holes on wall. Make sure wall track accessory is level. (See Figure 8)



WARNING: Only long holes may be used to mount device on dual studs. DO NOT mount device using the small holes unless mounting on three studs.

5. Drill 1/2" holes at each marked location. (See Figure 8)

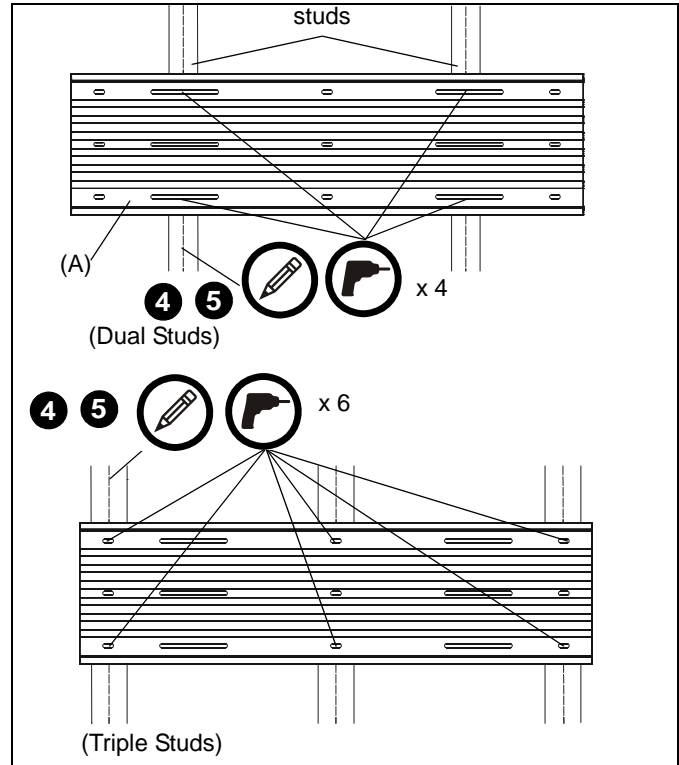


Figure 15

6. Hold metal channel on anchor (D) flat alongside plastic straps and slide channel through hole. (See Figure 16)

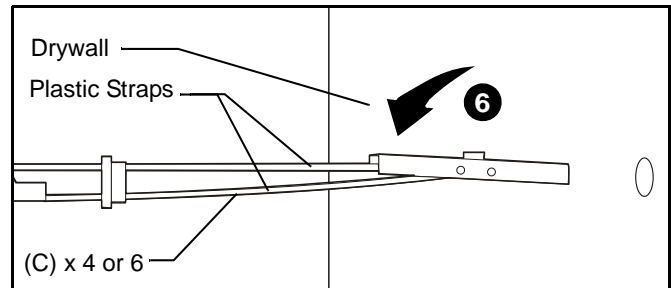


Figure 16

7. Holding plastic straps on anchor (C), pull anchor away from wall until channel rests flush behind wall making sure anchor channel is positioned vertically on stud. (See Figure 17)
8. Slide plastic cap on anchor (C) towards wall until flange of cap is flush with wall. (See Figure 17)

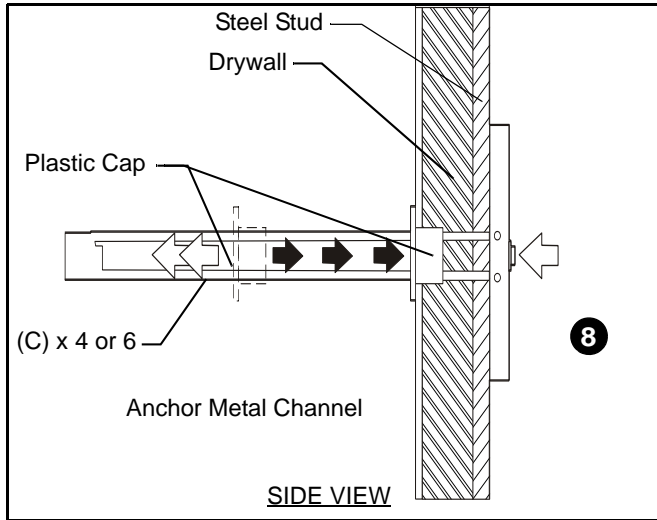


Figure 17

9. Snap off plastic straps on anchor at wall by pushing side to side, snapping off straps level with flange of plastic cap. (See Figure 18)
10. Repeat steps 6 through 9 for each mounting hole.

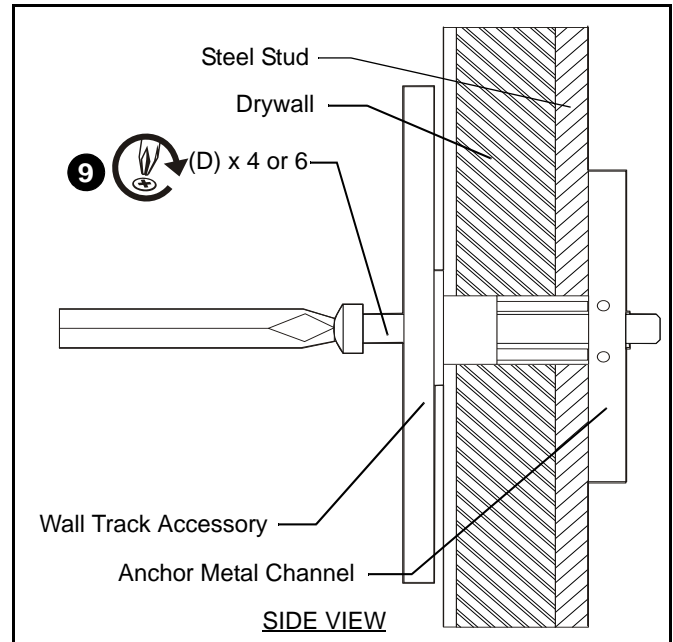


Figure 19

Computer Hardware Installation on Horizontal Bracket



WARNING: Exceeding the weight capacity can result in serious personal injury or damage to equipment! It is the installer's responsibility to make sure the weight of each component attached to the KSA-1022 wall track accessory does not exceed 25 lbs (11.3 kg) or the specific weight limit for the attached mounting device. Additionally, there is a limit on how many components may be mounted on each bracket depending on the mounting method. Refer to the table below for details.

Two Mount Maximum	Three Mount Maximum
Horizontal, dual stud mounting	Horizontal, triple stud mounting
Vertical, drywall mounting	Vertical, single stud mounting

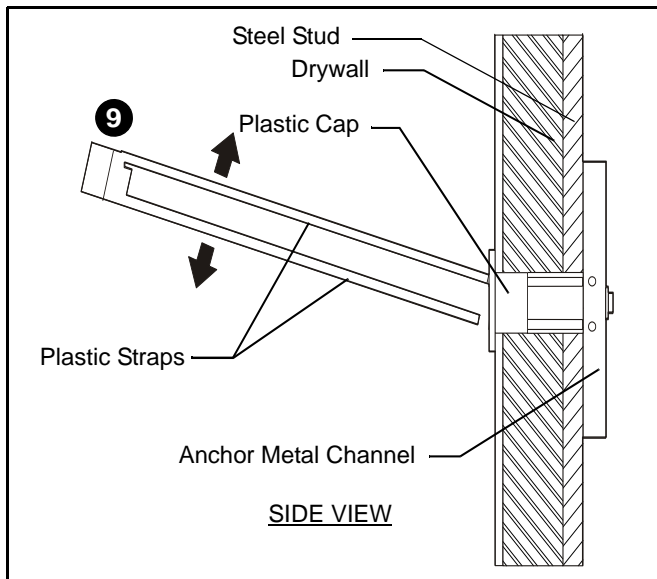


Figure 18

11. Place wall track accessory over anchors and align mounting holes in display mount with holes in anchors. (See Figure 13)
12. Insert 1/4-20 x 1 3/4" Phillips pan head screws (D) through corresponding mounting hole on wall track accessory and into anchor (C) and tighten until flush against mount. DO NOT overtighten! (See Figure 14)
13. Repeat steps 11 through 12 for remaining mounting holes.



WARNING: IMPROPER INSTALLATION CAN LEAD TO EQUIPMENT FALLING CAUSING SERIOUS PERSONAL INJURY OR DAMAGE TO EQUIPMENT! Overtightening of mounting hardware can damage the steel studs. DO NOT overtighten mounting hardware!



WARNING: For horizontal dual stud mounting on wood or steel studs, a minimum distance of 8" must exist between mounted devices. For horizontal triple stud mounting on wood or steel studs, a minimum distance of 14" must exist between mounted devices. (See Figure 20)

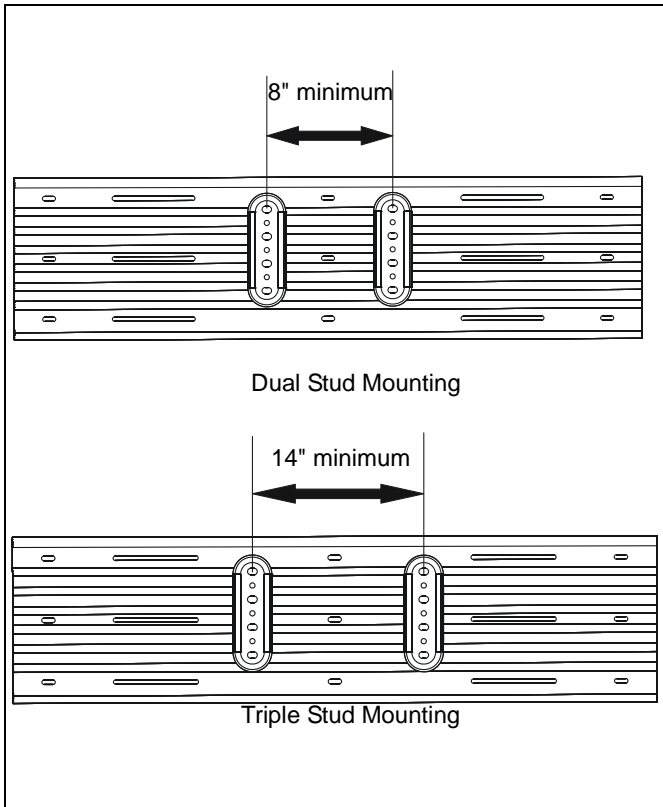


Figure 20

1. Remove side cover to slide locking plate brackets (B) into wall track accessory (A) at the desired mounting location. (See Figure 21)

NOTE: Locking plate brackets must be inserted into the top channel and second channel from the bottom.

2. Reinstall side cover to wall track accessory after all locking plate brackets have been inserted. (See Figure 21)
3. Use hex key (J) to install #10 button head cap screws (E) through #10 washers (H) and wall plate (not included) into center holes of locking plate brackets (B). (See Figure 21)
4. Refer to corresponding installation manual to complete installation of specific computer hardware.

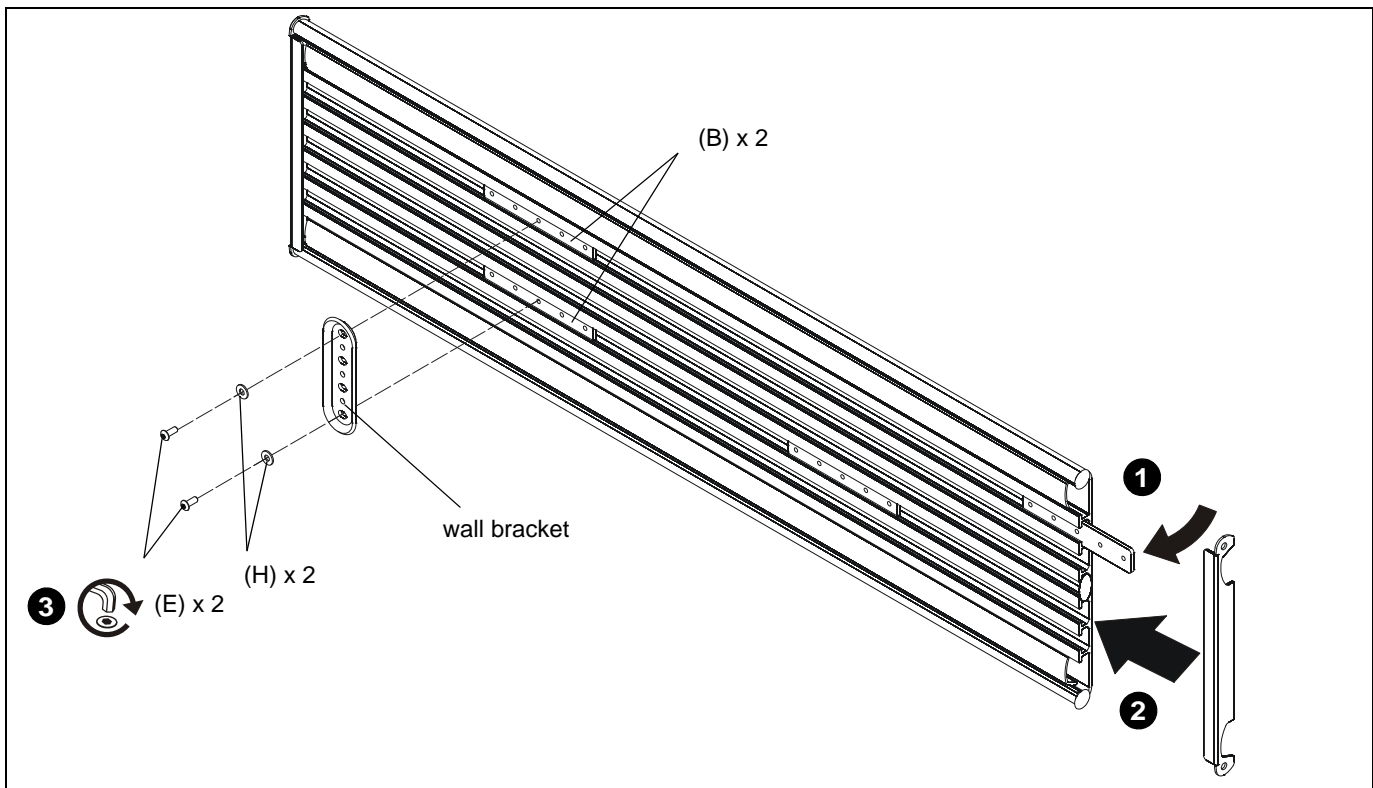


Figure 21

Computer Hardware Installation on Vertical Bracket

WARNING: Exceeding the weight capacity can result in serious personal injury or damage to equipment! It is the installer's responsibility to make sure the weight of each component attached to the KSA-1022 wall track accessory does not exceed 25 lbs (11.3 kg) or the specific weight limit for the attached mounting device. Additionally, there is a limit on how many components may be mounted on each bracket depending on the mounting method. Refer to the table below for details.

Two Mount Maximum	Three Mount Maximum
Horizontal, dual stud mounting	Horizontal, triple stud mounting
Vertical, drywall mounting	Vertical, single stud mounting

WARNING: For vertical mounting on wood or steel studs, a minimum distance of 8" must exist between mounted devices. For vertical mounting on drywall, a minimum distance of 16" must exist between mounted devices. (See Figure 22)

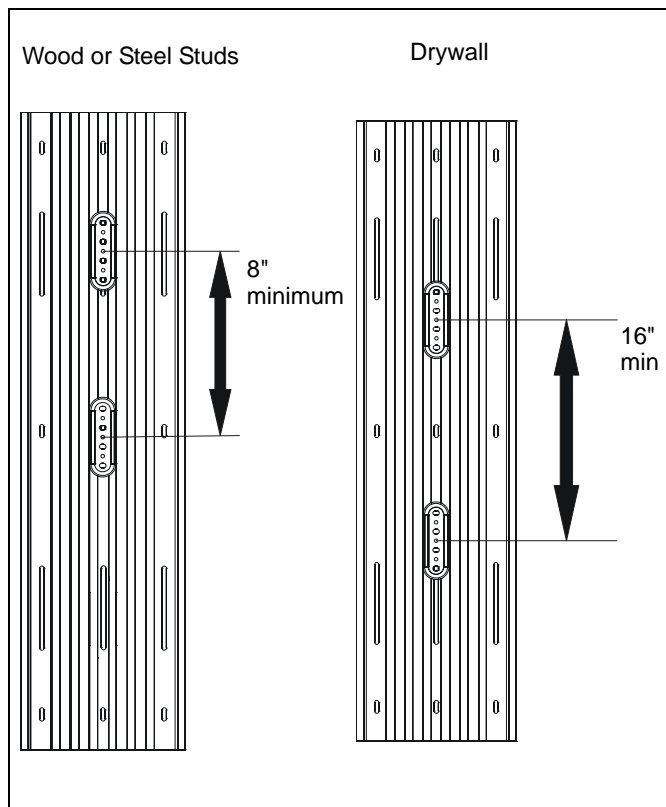


Figure 22

1. Remove side cover to slide locking plate brackets (B) into wall track accessory (A) at the desired mounting location. (See Figure 23)
- NOTE:** Locking plate brackets must be inserted into center channel on wall track accessory.
2. Reinstall side cover to wall track accessory after all locking plate brackets have been inserted. (See Figure 23)

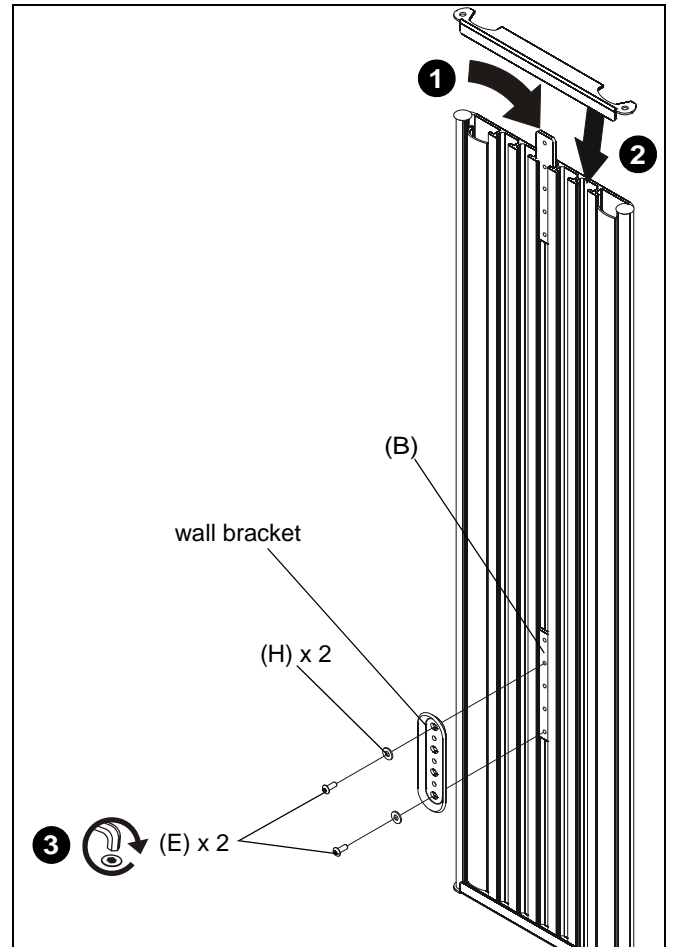


Figure 23

3. Use hex key (J) to install #10 button head cap screws (E) through #10 washers (H) and wall plate (not included) into center holes of locking plate brackets (B). (See Figure 23)
4. Refer to corresponding installation manual to complete installation of specific computer hardware.

NOTE: Wall brackets must be secured by installing screws through the top and bottom holes of the bracket. (See Figure 23)

Cable Management

NOTE: Complete installation of computer hardware prior to enclosing the cable within the wall track accessory.

1. Tuck cable inside cable management flap. (See Figure 22)
2. Remove side cover to wall track accessory.
3. Pull cable through cable management flap until cable outlet plug extends outside the wall track accessory. (See Figure 22)

4. Reinstall side cover making sure the cable runs through the cable hole. (See Figure 22)

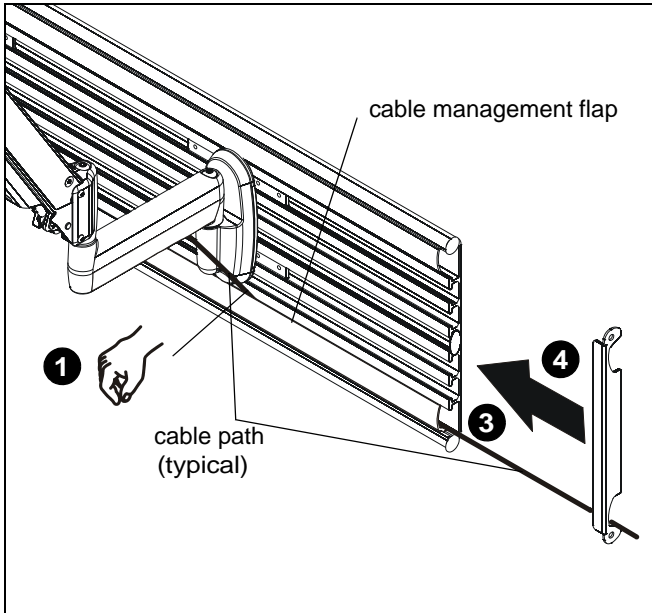


Figure 24



Our Mounts. **Your Vision.**

Chief Manufacturing, a division of
Milestone AV Technologies

8834-00004

©2008 Milestone AV Technologies

www.chiefmfg.com

10/08

USA/International A 8401 Eagle Creek Parkway, Savage, MN 55378
P 800.582.6480 / 952.894.6280
F 877.894.6918 / 952.894.6918

Europe A Fellenoord 130 5611 ZB EINDHOVEN, The Netherlands
P +31 (0)40 2668620
F +31 (0)40 2668615

Asia Pacific A Room 24F, Block D, Lily YinDu International Building
LuoGang, BuJi Town, Shenzhen, CHINA.
深圳市布吉罗岗村百合银都国际大厦D栋24F
P +86-755-8996 9226
F +86-755-8996 9217