

# **MS7180**

---

OrbitCG<sup>®</sup> Presentation Laser Scanner

## **Installation and User's Guide**

## **Disclaimer**

Honeywell International Inc. ("HII") reserves the right to make changes in specifications and other information contained in this document without prior notice, and the reader should in all cases consult HII to determine whether any such changes have been made. The information in this publication does not represent a commitment on the part of HII.

HII shall not be liable for technical or editorial errors or omissions contained herein: nor for incidental or consequential damages resulting from the furnishing, performance, or use of this manual.

This document contains propriety information that is protected by copyright. All rights reserved. No part of this document may be photocopied, reproduced, or translated into another language without the prior written consent of HII.

© 2009 Honeywell International Inc. All rights reserved.

Web Address: [www.honeywellaidc.com](http://www.honeywellaidc.com)

## **Trademarks**

Metrologic, MetroSelect, and MetroSet2 are trademarks or registered trademarks of Metrologic Instruments, Inc. or Honeywell International Inc.

Microsoft, Windows, and Windows 95 are trademarks or registered trademarks of Microsoft Corporation.

IBM is a trademark of International Business Machines Corporation.

Other product names mentioned in this manual may be trademarks or registered trademarks of their respective companies and are the property of their respective owners.

## **Patents**

Please refer to page 40 for a list of patents.

# TABLE OF CONTENTS

---

## Introduction

Product Overview .....	1
Scanner and Accessories .....	2
Scanner Components .....	4
Cable Removal .....	4
Caution and Serial Number Labels .....	5
Maintenance .....	5
Mounting Specifications .....	6

## Installation

RS232, or Light Pen .....	7
RS485 .....	8
Keyboard Wedge .....	9
Stand-Alone Keyboard Wedge .....	10
Full Speed or Low Speed USB .....	11
EAS Deactivation .....	12

## Scanner Operation

Power Save Modes .....	13
Primary and Secondary Scan Pattern Modes .....	14
Button Functions .....	14

### Indicators

Audible .....	17
Visual .....	18
Failure .....	19

### Depth of Field Specifications

Normal Scan Zone .....	20
Reduced Scan Zone .....	20

### Depth of Field by Bar Code Element Width

Normal Scan Zone .....	21
Reduced Scan Zone .....	22

# TABLE OF CONTENTS

---

Troubleshooting Guide .....	23
Design Specifications .....	27
Applications and Protocols .....	29
Scanner Configuration.....	30
Configuration Modes .....	30
Bar Codes .....	30
MetroSet2.....	30
Serial Configuration.....	30
Upgrading the Firmware .....	31
Scanner and Cable Terminations	
Scanner Pinout Connections .....	32
Cable Connector Configurations (Host End) .....	34
Regulatory Compliance	
Safety .....	36
EMC .....	37
Limited Warranty .....	39
Patents .....	40
Index .....	41
Customer Support .....	43
Technical Assistance.....	43
Product Service and Repair.....	44

# INTRODUCTION

---

OrbitCG® is an aggressive, omnidirectional laser bar code scanner ideal for use in retail, convenience, liquor and specialty stores. Designed to be lightweight and rugged, OrbitCG's small size makes it ideal for applications where counter space is limited. Its unique contoured shape allows it to be picked-up and used as a hand-held scanner when scanning large or bulky items.

## Key Product Features

- Fully Automatic Scanning Operation
- Secondary Single-Line Scan Mode
- CodeGate® Data Transmission Technology
- Adjustable Scan Head
- User-Replaceable Single Cable Interface To Host (PowerLink Compatible)
- Integrated EAS Antenna
- Seven Beeper Tones
- Configurable Depth of Field
- Firmware updates are easily loaded into Flash memory
- OPOS and JPOS System Compatible
- Support For Common Interfaces Including USB (See Table Below)
- Easy Bar Code Configuration

ORBITCG MODEL NUMBER	INTERFACE
MS7180-38	RS232 Low Speed USB, Keyboard Emulation Mode or Serial Emulation Mode*
MS7180-41	RS232/Light Pen Emulation
MS7180-47	Keyboard Wedge, Stand-Alone Keyboard and RS232 Transmit/Receive
MS7180-106	RS485▲, Full Speed USB and RS232 Transmit/Receive
MS7180-120	Full Speed USB with EAS

\* Configurable for Keyboard Emulation Mode or Serial Emulation Mode.  
Default setting is Keyboard Emulation Mode.

▲ Applicable for IBM® Host applications.

## Scanner and Accessories

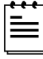
BASIC KIT COMPONENTS	
Part No.	Description
MS7180	OrbitCG Presentation Laser Bar Code Scanner
00-02284.x	MS7180 OrbitCG Presentation Laser Bar Code Scanner Installation and User's Guide
00-02407.x	MetroSelect® Configuration Guide

\* Guides also available for download at [www.honeywellaidc.com](http://www.honeywellaidc.com).

OPTIONAL ACCESSORIES	
Part No.	Description
AC to DC Power Transformer - Regulated 5.2VDC @ 1A output.	
46-00525	120V United States, Canada and Japan
46-00526	220V-240V Continental European
46-00527	220V-240V United Kingdom
46-00528	220V-240V Australia
46-00529	220V-240V China
46-00530	220V-240V India
59-59000.x -3	RS232 PowerLink Cable with Built in Power Jack straight cord
MVC**	RS485 Applications MVC Cable ±12VDC to +5.2VDC
** Contact a customer service representative for additional information on the MVC cable series and the host connections available.	

*Other items may be ordered for the specific protocol being used. To order additional items, contact the dealer, distributor or customer service representative.*

**Scanner and Accessories**

OPTIONAL ACCESSORIES	
Part No.	Description
59-59002.x-3	Keyboard Wedge PowerLink Cable straight cord
59-59020.x-3	Stand Alone Keyboard PowerLink Cable straight cord
54-54213.x-N-3	USB Full Speed Cable, Locking Plus-Power™ Type A straight cord
54-54214.x-N-3	USB Full Speed Cable, Locking Plus-Power™ Type A straight cord  This cable is for use with full speed USB (-106) interface only.
59-59235.x-N-3	USB Low Speed Communication Cable, Type A straight cord
55-55000.x-E-3	RS232 PowerLink Cable with Built in Power Jack and EAS Connection Wire, straight cable, black
55-55809.x-N-E-3	USB, Keyed, Type A, EAS Connection Wire, straight cable, black
59-59002.x-E-3	Keyboard Wedge PowerLink Cable with Built in Power Jack and EAS Connection Wire, straight cable, black
59-59006.x-E-3	RS485 PowerLink Cable with Built in Power Jack and EAS Connection Wire, straight, black
45-45619	Counter/Wall Mount Kit

*Other items may be ordered for the specific protocol being used. To order additional items, contact the dealer, distributor or customer service representative.*

## Scanner Components

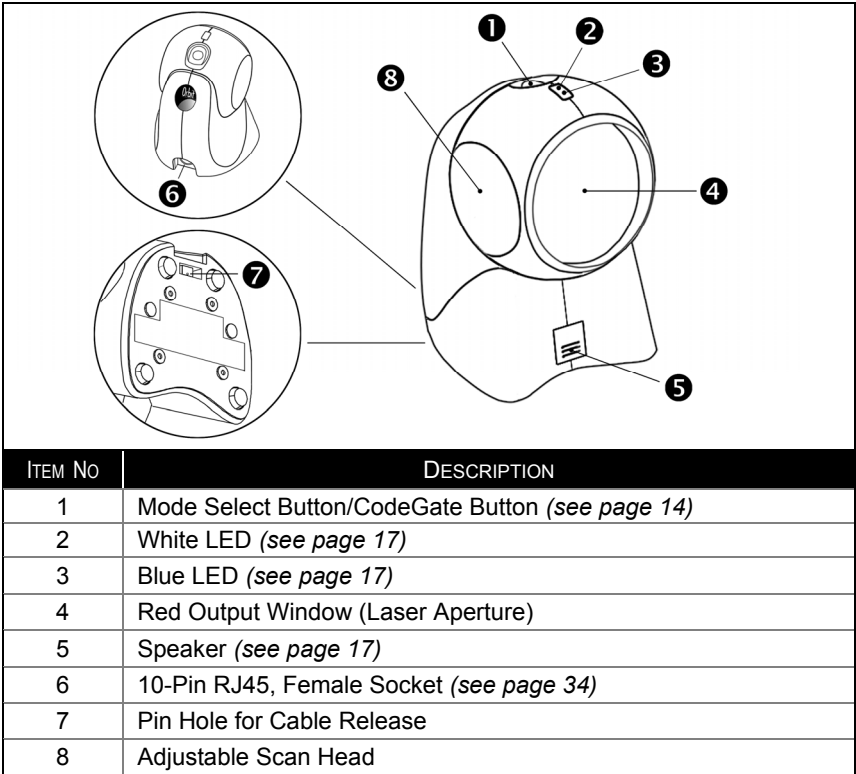


Figure 1. Scanner Components

## Cable Removal

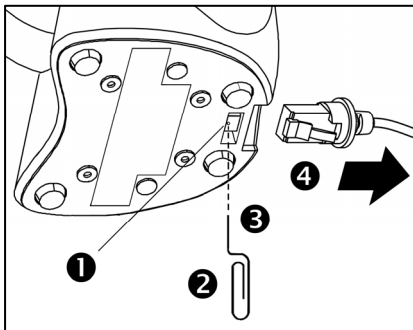


Figure 2. Cable Release

1. Locate the small 'pin-hole' on the bottom of the scanner near the cable.
2. Bend an ordinary paperclip into the shape shown.
3. Insert the paperclip into the small 'pin-hole'.
4. There will be a faint 'click' when the cable lock is released. Pull gently on the strain-relief of the PowerLink cable to remove it from the scanner.



## Caution and Serial Number Labels

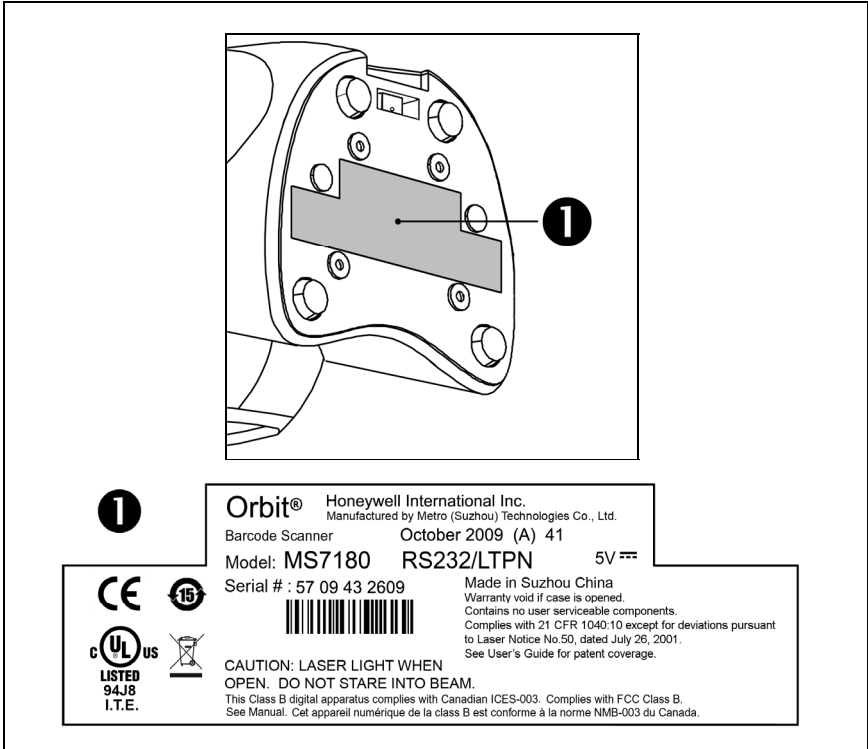


Figure 3. Label Location on the Bottom of the Scanner with Example

### Caution

To maintain compliance with applicable standards, all circuits connected to the scanner must meet the requirements for SELV (Safety Extra Low Voltage) according to EN/IEC 60950-1.



To maintain compliance with standard CSA C22.2 No. 60950-1/UL 60950-1 and norm EN/IEC 60950-1, the power source should meet applicable performance requirements for a limited power source.

## Maintenance

Smudges and dirt on the unit's window can interfere with the unit's performance. If the window requires cleaning, use only a mild glass cleaner containing no ammonia. When cleaning the window, spray the cleaner onto a lint free, non-abrasive cleaning cloth then gently wipe the window clean.

If the unit's case requires cleaning, use a mild cleaning agent that does not contain strong oxidizing chemicals. Strong cleaning agents may discolor or damage the unit's exterior.

**Mounting Specifications**

Optional Wall/Counter Mount, PN 45-45619

Item	Description	Qty.	
a.	Locking Plate, PN 50-50302	1	
b.	Base Cover, PN 50-50301	1	
c.	#7 x 1.00" Wood Screw, PN 18-18013	3	
d.	M3 x 8 mm Flathead Screw, PN 18-18004	4	

Figure 4. Kit Components

- Drill three #39 pilot holes.**  
 Note the position OrbitCG will rest (see Figure 5). Use the dimensions provided in Figure 5 or the locking plate as a template to drill three #39 pilot holes in the mounting surface.

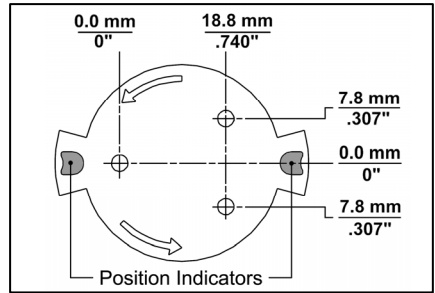


Figure 5.

- Attach the locking plate to the wall/counter.**  
 Secure the locking plate to the counter/wall with the three #7 x 1.00" wood screws provided (see Figure 6).
- Attach the base plate to the OrbitCG.**  
 Secure the base cover to the bottom of OrbitCG using the four M3 x 8 mm screws provided (see Figure 7).
- Mount OrbitCG to the locking plate.**  
 Hold OrbitCG 90° clockwise from the desired position then lower it over the locking plate until it sits flush to the countertop. Twist OrbitCG counter clockwise 90° to lock the scanner in place (see Figure 8).

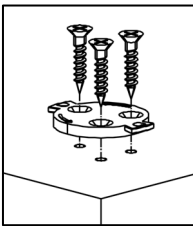


Figure 6.

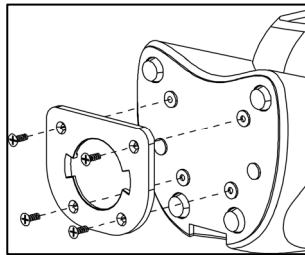


Figure 7.

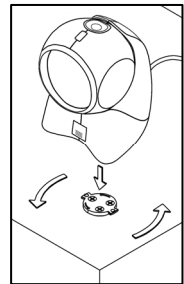


Figure 8.

### RS232, Light Pen Emulation

1. Turn off the host device.
2. Plug the male 10-pin RJ45 end of the PowerLink cable into the 10-pin socket on the MS7180.
3. Connect the 9-pin female end of the PowerLink cable to the host device.
4. Plug the external power supply into the power jack on the PowerLink cable.



Check the AC input requirements of the power supply to make sure the voltage matches the AC outlet. The outlet must be located near the equipment and be easily accessible.

5. Connect AC power to the transformer.
6. Turn on the host device.

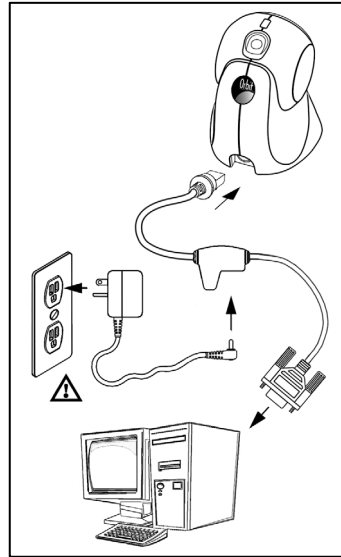


Figure 9.



When the scanner first receives power, the blue and white LED will toggle on and off then the scanner will beep once.



Plugging the scanner into the serial port of the PC does not guarantee that scanned information will appear at the PC. A software driver and correct configuration setting may be required for proper communication to occur.



Powering the MS7180 directly from the host device can sometimes cause interference with the operation of the scanner or the computer. Not all computers supply the same current. For this reason, Honeywell recommends using an external power supply. For additional information contact a customer service representative.



See page 5.

## INSTALLATION

### RS485

1. Turn off the host device.
2. Plug the male 10-pin RJ45 end of the MVC cable into the 10-pin socket on the MS7180.
3. Connect the other end of the MVC cable to the host device.
4. Turn on the host device.

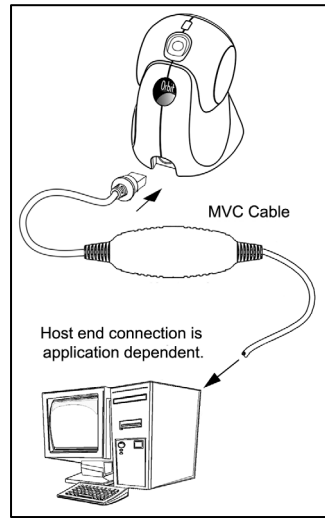


Figure 10.



When the scanner first receives power, the blue and white LED will toggle on and off then the scanner will beep once.



Plugging the scanner into the port of the PC does not guarantee that scanned information will appear at the PC. A software driver and correct configuration setting are also required for proper communication to occur.

## INSTALLATION

### Keyboard Wedge

1. Turn off the host device.
2. Plug the male 10-pin RJ45 end of the PowerLink cable into the 10-pin socket on the MS7180.
3. Disconnect the keyboard from the host device.
4. Connect the “Y” end of the PowerLink cable to the keyboard and the keyboard port on the host PC. If necessary use the male/female adapter cable supplied with the scanner for proper connections.
5. Plug the external power supply into the power jack on the PowerLink cable.



Check the AC input requirements of the power supply to make sure the voltage matches the AC outlet. The outlet must be located near the equipment and be easily accessible.

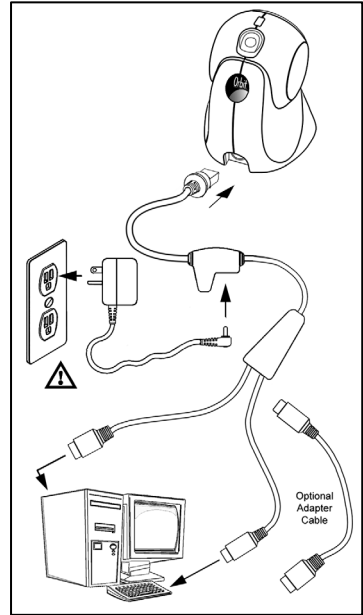


Figure 11.

6. Connect AC power to the transformer.
7. Turn on the host device.



When the scanner first receives power, the blue and white LED will toggle on and off then the scanner will beep once.



Powering the MS7180 directly from the host device can sometimes cause interference with the operation of the scanner or the computer. Not all computers supply the same current through the keyboard port. For this reason, Honeywell recommends using an external power supply. For additional information contact a customer service representative.



See page 5.

## Stand-Alone Keyboard

1. Turn off the host device.
2. Plug the male 10-pin RJ45 end of the PowerLink cable into the 10-pin socket on the MS7180.
3. Connect the other end of the PowerLink cable to the keyboard port on the host device.
4. Plug the external power supply into the power jack on the PowerLink cable.



Check the AC input requirements of the power supply to make sure the voltage matches the AC outlet. The outlet must be located near the equipment and be easily accessible.

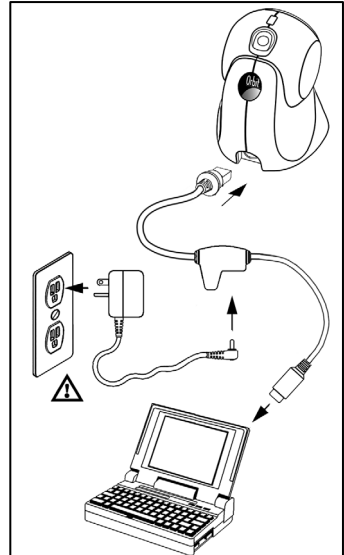


Figure 12.

5. Connect AC power to the transformer.
6. Turn on the host device.



When the scanner first receives power, the blue and white LED will toggle on and off then the scanner will beep once.



Powering the MS7180 directly from the host device can sometimes cause interference with the operation of the scanner or the computer. Not all computers supply the same current through the keyboard port. For this reason, Honeywell recommends using an external power supply. For additional information contact a customer service representative.



See page 5.

## INSTALLATION

### Full Speed or Low Speed USB

1. Turn off the host device.
2. Plug the male 10-pin RJ45 end of the USB cable into the 10-pin socket on the MS7180.
3. Plug the other end of the USB interface cable into the host device's USB port.
4. Turn on the host device.



When the scanner first receives power, the blue and white LED will toggle on and off then the scanner will beep once.

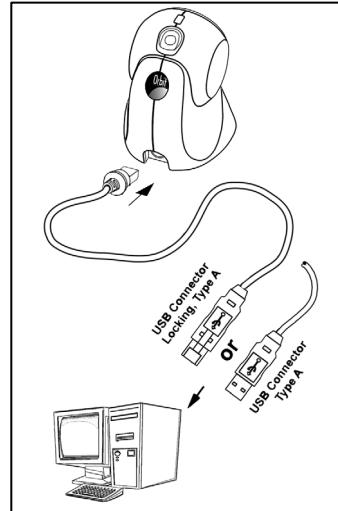


Figure 13.



As a default, the MS7180-38 leaves the factory with USB Keyboard Emulation Mode enabled. Scan the following bar code to configure the MS7180-38 for *USB Serial Emulation Mode*.



Plugging the scanner into the USB port of the PC does not guarantee that scanned information will appear at the PC. A software driver and the correct configuration settings are also required for proper communication to occur.

#### **For Previous User's of the MS7120 Orbit\* with an MX009:**

The following bar code must be scanned in order for the new integrated USB MS7180 OrbitCG to function with the same serial emulation driver as the old external USB MS7120.



\* Orbit models before the MS7120 rev L.

## EAS Deactivation

SW1 and SW2 are the switch banks inside the Checkpoint Device that set the deactivation range. The following is a list of Checkpoint recommended switch bank settings.

Checkpoint Recommended Switch Bank Settings			
SW1		SW2	
<i>RS232, Keyboard Wedge, &amp; RS485</i>			
Switch 5	ON	Switch 5	ON
Switch 1, 2, 3, 4 & 6	OFF	Switch 1, 2, 3, 4 & 6	OFF
<i>USB</i>			
Switch 2 & 3	ON	Switch 2 & 3	ON
Switch 1, 4, 5 & 6	OFF	Switch 1, 4, 5 & 6	OFF

All OrbitCG models are equipped with EAS capabilities. OrbitCG's *optional* EAS cable is equipped with additional wires for connection to a Checkpoint Device.

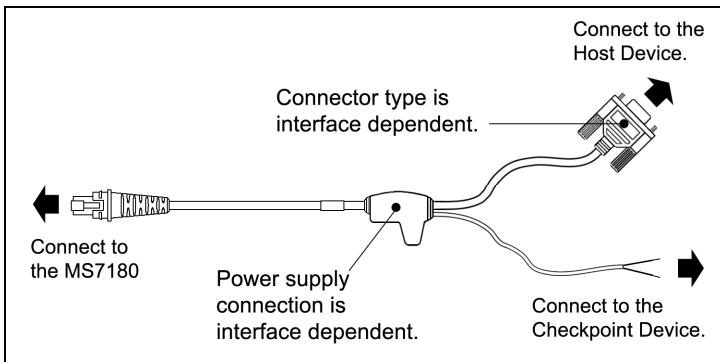


Figure 14. EAS Cable

Figure 15 shows the location of the EAS deactivation area for OrbitCG.

It is important to pass the entire tag through this area to deactivate the security tag.

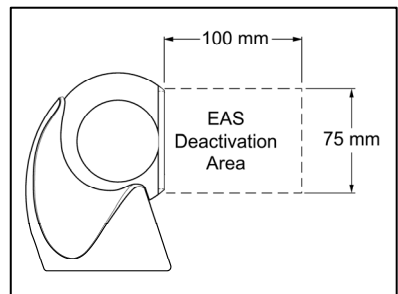


Figure 15. EAS Deactivation Area



# SCANNER OPERATION

---

## POWER SAVE MODES

The OrbitCG has five configurable power save modes. Refer to the *MetroSelect Configuration Guide (PN 00-02407.x)* for additional information on Power Save Modes.

1. The **Blink Power Save Mode** blinks the laser OFF & ON after a configured period of non-use.

When the scanner recognizes a bar code, the scanner will exit the blink power save mode.

2. The **Laser Off Power Save Mode** turns the laser OFF after a configured period of non-use. The motor continues to spin allowing for a faster “wake” up time.

If the button is pressed, the scanner will “wake” from the power save mode.

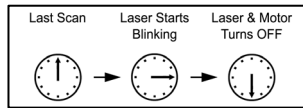
3. The **Laser & Motor Off Power Save Mode** turns the laser and motor OFF after a configured period of non-use.

If the button is pressed, the scanner will “wake” from the power save mode. This mode’s “wake” time is slightly longer due to the motor’s need to restart.

4. The **Dual Action Power Save Mode #1** (default mode) “blinks” the laser OFF & ON after a configured period of non-use. The laser and motor will then turn OFF at the next thirty-minute interval.

**Example:**

If the power save timeout is set to 15 minutes.

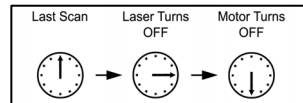


If the button is pressed the scanner will “wake” from the power save mode.

5. The **Dual Action Power Save Mode #2** turns the laser OFF after a configured period of non-use. The motor will then turn OFF at the next thirty-minute interval.

**Example:**

If the power save timeout is set to 15 minutes.



If the button is pressed the scanner will “wake” from the power save mode.

### Primary and Secondary Scan Pattern Modes

There are two scan pattern modes available with the MS7180.

- The **primary** scan pattern mode is the default scan pattern active when the scanner starts.
- The **secondary** scan pattern mode is activated by pressing the button located on the top of the scanner. This mode is also referred to as the button mode. For additional information on OrbitCG's button modes and an example of each, please refer to *Button Functions* below.



The scanner returns to the primary (omni) scan pattern mode after a double click of the button or if the unit has not scanned a bar code for the duration of a pre-configured time limit.

### Button Functions

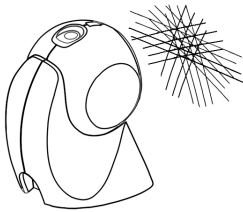
The button on the top of the MS7180 can be configured to function in one of two modes.

- Button *Click Mode*, with CodeGate Enabled (Default)
- Button *Click Mode*, with CodeGate Disabled

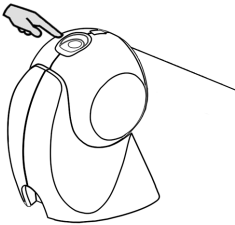
The following pages include examples of how the button will function when the unit has been configured to operate in each of the four button modes.

## Configurable Button Functions

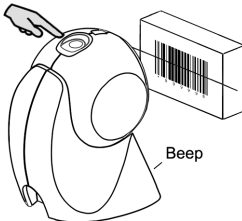
### SECONDARY SCAN PATTERN BUTTON CLICK MODE WITH CODEGATE ENABLED



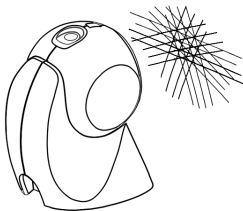
1. The primary (omni) scan pattern is active when the scanner starts.



2. To activate the secondary (single-line) scan pattern, **press** and **release** the button.



3. To decode and transmit the bar code, **press** and **release\*** the button. The scanner will beep once.

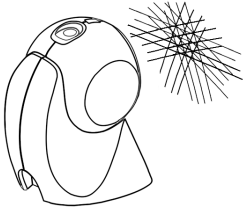


4. To reactivate the primary (omni) scan pattern, **double click** the button or after 5-seconds of no-scanning the unit will automatically reactivate the primary (omni) pattern.

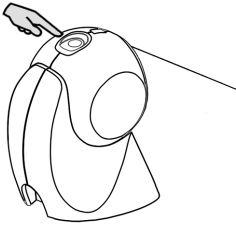
\* The unit will continued to decode and transmit bar codes placed in the scanner's scan field if the button is held down.

## Configurable Button Functions

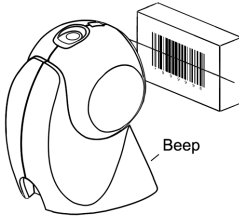
### SECONDARY SCAN PATTERN BUTTON CLICK MODE WITH CODEGATE DISABLED



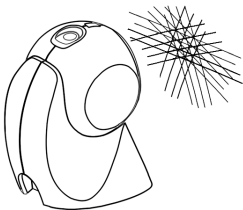
1. The primary (omni) scan pattern is active when the scanner starts.



2. To activate the secondary (single-line) scan pattern, **press** and **release** the button.



3. The unit will beep once as it decodes and transmits the bar code.



4. To reactivate the primary (omni) scan pattern, **double click** the button or after 5-seconds of no-scanning the unit will automatically reactivate the primary (omni) pattern.

### Audible Indicators

When the MS7180 is in operation, it provides audible feedback to indicate the status of the scanner. Eight settings are available for the tone of the beep (normal, six alternate tones and no tone). For instructions on how to change the tone of the beeper, refer to the MetroSelect Configuration Guide (00-02407).



#### One Beep

When the scanner *first* receives power the blue and white LED will toggle on and off. The scanner will beep once, then the LEDs will stop toggling and the blue LED will remain on to indicate the scanner is ready to scan.

When the scanner *successfully* reads a bar code, the white LED will flash and the scanner will emit a beep\*. If the scanner does not beep once and the white light does not flash, then the bar code has *not* been successfully read.



#### Razzberry Tone

This is a failure indicator. Refer to *Failure Mode Indicators* on page 19.

When in *configuration mode*, a razzberry tone indicates that an invalid bar code has been scanned.



#### Three Beeps - During Operation

When *entering configuration mode*<sup>†</sup> the scanner will beep three times and the white and blue LED will start to toggle on and off. The blue LED and the white LED will toggle on and off until the scanner exits the configuration mode.

Upon *exiting configuration mode*<sup>†</sup>, the white LED will flash three times and the scanner will beep three times. The blue LED will then stay on indicating the scanner is ready to scan.

When using *one-code-configuring*, the scanner will emit a unique beep three times after scanning. This indicates that the *single* configuration bar code has *successfully* configured the scanner.

Three beeps\* can also indicate a communications timeout during normal scanning mode.



#### Three Beeps - On Power Up

This is a failure indicator. Refer to *Failure Mode Indicators* on page 19.

\* This feature is configuration dependent. Refer to the MetroSelect Configuration Guide to enable this feature.

† Refer to the Multi-Code Configuration Method in the MetroSelect Configuration Guide.

### Visual Indicators

The MS7180 is equipped with a blue and a white LED that indicates the scanner's state and the status of the current scan when the unit is in operation.

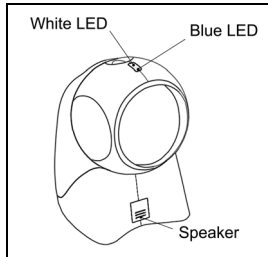


Figure 16. LED Location

#### No LEDs

The LEDs will not be illuminated if the scanner is not receiving power from the host or transformer.

#### Steady Blue

When the laser is active, the blue LED is illuminated. The blue LED will remain on until the laser is deactivated.

During the power save mode, the laser will turn on and off. During this period, the blue LED will remain on.

#### Steady Blue and Single White Flash

When the scanner successfully reads a bar code, the white LED will flash and the scanner will beep once. If the white LED does not flash or the scanner does not beep once, then the bar code has not been successfully read.

#### Steady White and Blue

After a successful scan, the scanner transmits the data to the host device. Some communication modes require that the host inform the scanner when data is ready to be received. If the host is not ready to accept the information, the scanner's white LED will remain on until the data can be transmitted.

#### Alternating (Toggling) Blue and White

This indicates the scanner is in configuration mode. A razzberry tone indicates that an invalid bar code has been scanned in this mode.

### **Failure Mode Indicators**

#### **Flashing Blue with One Razzberry Tone**

This indicates that the scanner has experienced a laser subsystem failure. Return the unit to an authorized service center for repair.

#### **Synchronized Flashing of Blue and White with Two Razzberry Tones**

This indicates that the scanner has experienced a motor failure. Return the unit to an authorized service center for repair.

#### **Three Beeps - On Power Up**

If the scanner beeps three times on power up, then the nonvolatile memory that holds the scanner configuration may have failed. First, check the scanner's settings. Then, try to re-configure the scanner. If the problem persists return the unit to an authorized service center for repair.

### Depth of Field Specifications\*

#### Normal Scan Zone

*Specifications are based on a 0.33 mm (13 mil) bar code.*

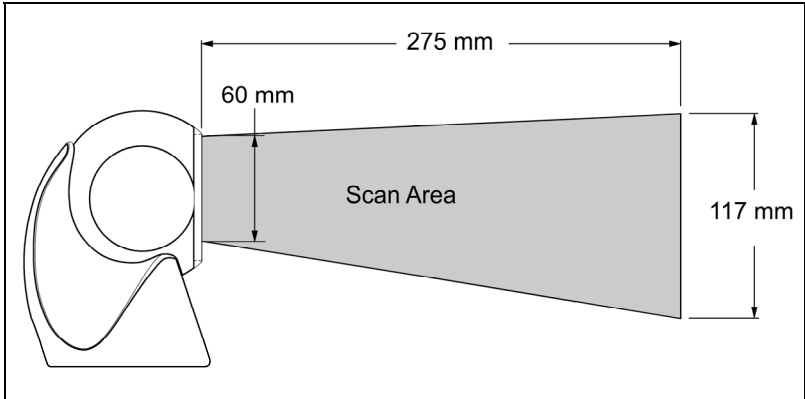


Figure 17. MS7180 Normal Depth of Field

#### Reduced Scan Zone

*Specifications are based on a 0.33 mm (13 mil) bar code.*

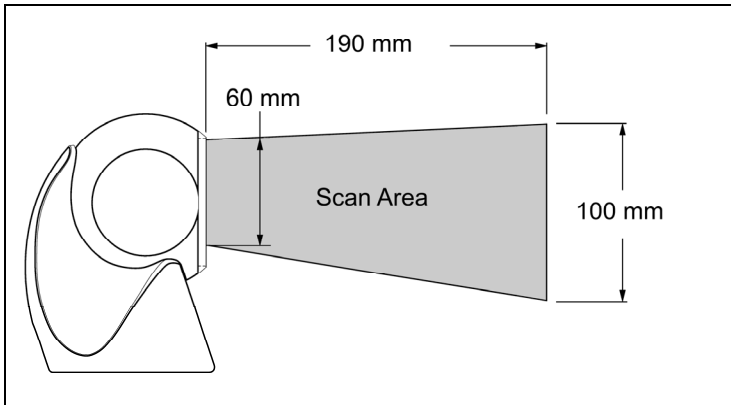


Figure 18. MS7180 Reduced Depth of Field

\* All specifications are subject to change without notice.



**Depth of Field by Bar Code Element Width\***

Normal Scan Zone

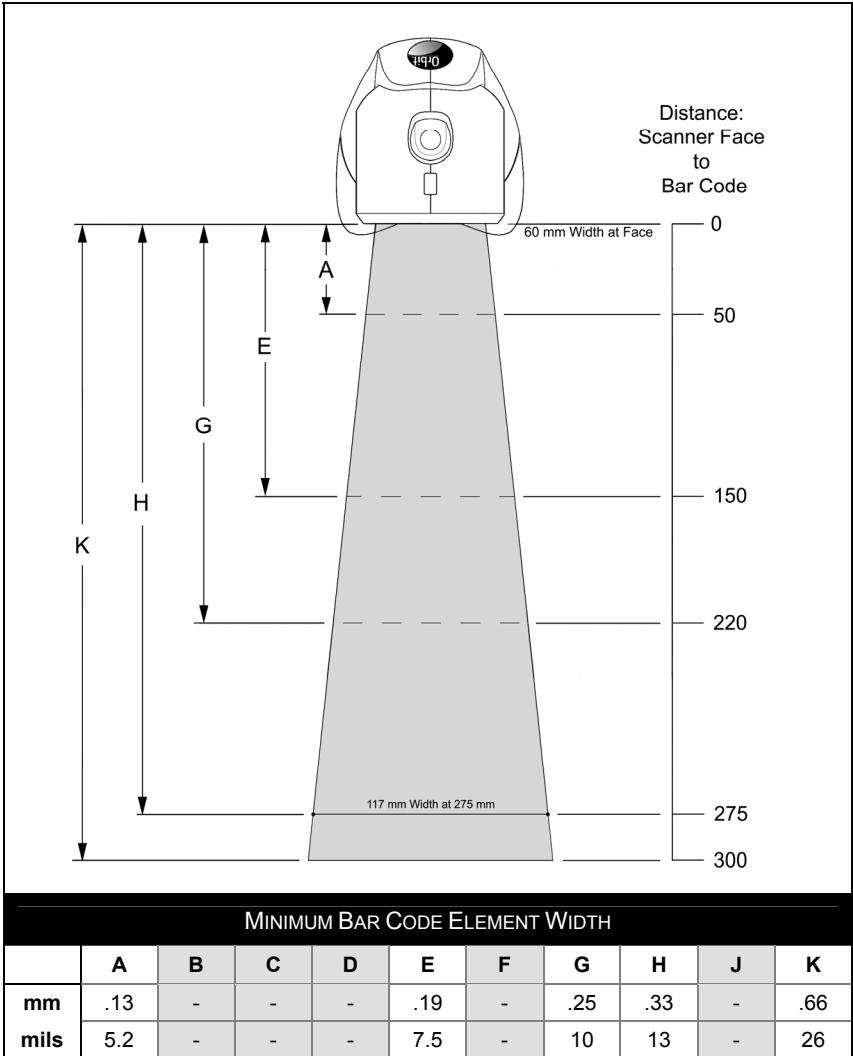


Figure 19. Normal Scan Zone by Bar Code Element Width

\* All specifications are subject to change without notice.

**Depth of Field by Bar Code Element Width\***

Reduced Scan Zone

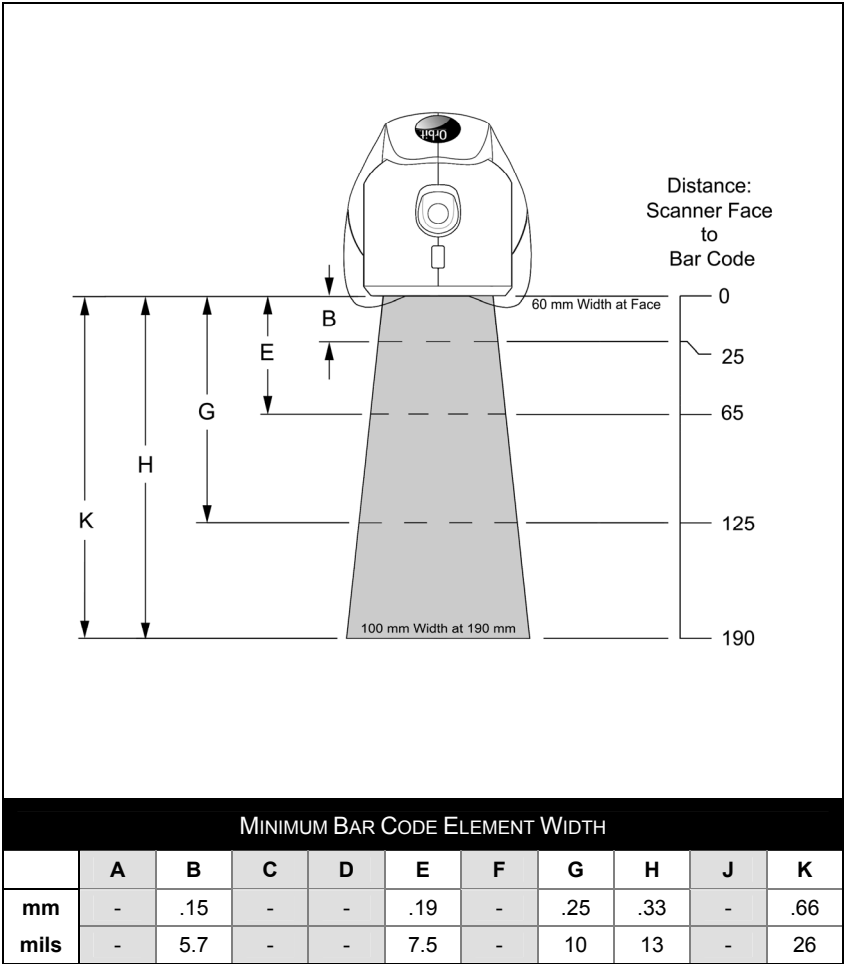


Figure 20. Reduced Scan Zone by Bar Code Element Width

\* All specifications are subject to change without notice.

## TROUBLESHOOTING GUIDE

The following guide is for reference purposes only. Contact a customer service representative to preserve the limited warranty terms on page 39.

Symptoms	Possible Cause(s)	Solution
<i>All Interfaces</i>		
During power up the unit beeps three times.	There is a non-volatile RAM failure.	Contact a customer service representative.
During power up the unit razzes once and the blue LED flashes.	There is a VLD failure.	
During power up the unit razzes twice and both LEDs flash in unison.	There is a scanner motor failure.	
The unit has no LEDs, beeper or motor spin.	No power is being supplied to the scanner.	Check the transformer, outlet and power strip. Make sure the cable is plugged into the scanner.
	The unit may be in power save mode.	Push the button to “wake” the unit.
The unit has no LEDs and / or beeper.	No power is being supplied to the scanner from host.	Some host systems cannot supply enough current to power the OrbitCG. Use the power supply included with the scanner.
	The unit may be in power save mode.	Push the button to “wake” the unit.
The unit powers up but does not beep.	The beeper is disabled.	Enable the beeper.
	No tone is selected.	Select a tone.

## TROUBLESHOOTING GUIDE

Symptoms	Possible Cause(s)	Solution
<i>All Interfaces</i>		
The unit powers up but does not scan and/or beep.	The unit is trying to scan a particular symbology that is not enabled.	UPC/EAN, Code 39, Interleaved 2 of 5, Code 93, Code 128 and Codabar are enabled by default. Verify that the type of bar code being read has been selected.
	The scanner has been configured for a character length lock, or a minimum length and bar code being scanned does not satisfy the configured criteria.	Verify that the bar code that is being scanned falls into the criteria.  <i>Typical of Non-UPC/EAN codes. The scanner defaults to a minimum of 4 character bar code.</i>
The unit scans a bar code, but locks up after the first scan ( <i>the white LED stays on</i> ).	The scanner is configured to support some form of host handshaking but is not receiving the signal.	If the scanner is setup to support ACK/NAK, RTS/CTS, XON/XOFF or D/E, verify that the host cable and host are supporting the handshaking properly.
The unit scans but the data transmitted to the host is incorrect.	The scanner's data format does not match the host system requirements.	Verify that the scanner's data format matches the format required by the host. Make sure that the scanner is connected to the proper host port.
There are multiple scans upon presentation of code.	The same symbol timeout is set too short.	Adjust the same symbol timeout for a longer time increment.

# TROUBLESHOOTING GUIDE

Symptoms	Possible Cause(s)	Solution
<i>All Interfaces</i>		
Scanner beeps at some bar codes and NOT for others of the same bar code symbology.	The bar code may have been printed incorrectly.	Check if it is a check digit, character or border problem.
	The scanner is not configured correctly for the type of bar code.	Check if check digits are set properly.
	The minimum symbol length setting does not work with the bar code.	Check if the correct minimum symbol length is set.
<i>RS232 Only</i>		
The unit powers up OK and scans OK but does not communicate properly to the host.	The com port at the host is not working or is not configured properly.	Check to make sure that the baud rate and parity of the scanner and the communication port match and that the program is looking for RS232 data.
	The cable is not connected to the proper com port.	
	The com port is not operating properly.	

## TROUBLESHOOTING GUIDE

Symptoms	Possible Cause(s)	Solution
<i>RS232 Only</i>		
The host is receiving data but the data does not look correct.	The scanner and host may not be configured for the same interface.	Check that the scanner and the host are configured for the same interface and speed.
Characters are being dropped.	The inter character delay needs to be added to the transmitted output.	Add some inter-character delay to the transmitted output by using the MetroSelect Configuration Guide (PN 00-02407).
<i>Keyboard Wedge Only</i>		
The unit scans the bar code but there is no data.	The unit may not be configured correctly.	Make sure the scanner is configured for the appropriate mode.
The unit scans but the data is not correct.	The unit may not be configured correctly.	Make sure that the proper PC type (i.e. AT or PS2) is selected.
		Verify correct country code and data formatting are selected.
		Adjust the inter-scan delay.
The unit is not transmitting each character.	The unit may not be configured correctly.	Increase the inter-scan code delay setting. Adjust whether the F0 break is transmitted. It may be necessary to try both settings.
Alpha characters show as lower case.	The computer is in caps lock mode.	Enable <i>caps lock detect</i> setting of the scanner to detect whether the PC is operating in caps lock.
Everything works except for a couple of characters.	These characters may not be supported by the current country's key look up table.	Try operating the scanner in <i>Alt Mode</i> .

# DESIGN SPECIFICATIONS

		<b>MS7180</b>	
<b>Operational</b>			
Light Source:	Visible Laser Diode (VLD) @ 650 nm		
Laser Power:	Less than 1 mW average		
Normal Depth of Field:	0 mm - 275 mm (0" – 10.8")	0.33 mm (13 mil) bar code	
Reduced Depth of Field:	0 mm - 190 mm (0" – 7.5")		
Scan Speed:	1120 scan lines per second		
No. of Scan Lines:	20		
Motor Speed:	3360 RPM		
Min Bar Width:	0.13 mm (5.0 mil)		
Decode Capability:	All standard 1-D bar codes including GS1 DataBar, GS1 DataBar-Expanded, and GS1 DataBar Limited		
System Interfaces:	RS232, Keyboard Wedge, Stand-Alone Keyboard, Light Pen Emulation, RS485, USB (low speed and full speed)		
Print Contrast:	35% minimum reflectance difference		
No. Characters Read:	Up to 80 data characters Maximum number will vary based on symbology and density.		
Beeper Operation:	7 tones or no beep		
Indicators (LED):	Blue = laser on, ready to scan		
	White = good read, decoding		
<b>Mechanical</b>			
Width:	Base - 102 mm (4.0")	Orb - 80 mm (3.1")	
Depth :	105 mm (4.1")		
Height:	150 mm (5.9")		
Weight:	14.5 oz (410 g)		
Orb Tilt:	30° Vertical		

*Specifications are subject to change without notice.*

# DESIGN SPECIFICATIONS

		<b>MS7180</b>	
<b>Electrical</b>			
Voltage Supply:	5VDC $\pm$ 0.25V		
Operating Power:	0.9 W		
Standby Power:	0.85 W		
	Blink Power Save Mode	0.85 W	
	Laser & Motor Off Power Save Mode	0.50 W	
Operating Current:	180 mA typical at 5VDC		
Standby Current:	170 mA typical at 5VDC		
DC Transformers:	Class II; 5.2VDC @ 1 A		
<i>For regulatory compliance information, see pages 36 - 38.</i>			
<b>Environmental</b>			
Operating Temperature:	-20°C to 40°C (-4°F to 104°F)		
Storage Temperature:	-40°C to 60°C (-40°F to 140°F)		
Humidity:	5% to 95% relative humidity, non-condensing		
Contaminants:	Sealed to resist airborne particulate contaminants		
Ventilation:	None required		

*Specifications are subject to change without notice.*



## APPLICATIONS AND PROTOCOLS

---

The model number on each scanner includes the scanner number and factory default communications protocol.

SCANNER	VERSION IDENTIFIER	COMMUNICATION PROTOCOL(S)
MS7180	38	RS232 Low Speed USB, Keyboard Emulation or Serial Emulation
	41	Full RS232C/Light Pen Emulation
	47	Keyboard Wedge, Stand-Alone Keyboard and RS232 Transmit/Receive
	106	RS485, Full Speed USB and RS232 Transmit/Receive
	120	Full Speed USB with EAS

The MS7180 scanner with built-in PC Keyboard Wedge Interface is designed to be used for keyboard emulation only. Many RS232 configurable functions (e.g. formatting) available in other Honeywell scanners are also available as keyboard wedge functions.

The following are the most important selectable options specific to the keyboard wedge.

### Keyboard Type

- \*\* AT (includes IBM® PS2 models 50, 55, 60, 80)
- IBM PS2 (includes models 30, 70, 8556)

### Keyboard Country Type

- USA \*\*
- Belgium
- French
- German
- Hungarian
- Italian
- Japanese
- Russian Cyrillic
- Slovenian
- Spanish
- Swiss
- Sweden/Finland
- Turkish
- United Kingdom

\*\* Default setting. Refer to the MetroSelect® Configuration Guide (PN 00-02407) or MetroSet2's help files for information on how to change the default settings.

## CONFIGURATION MODES

The MS7180 Series scanner has three modes of configuration.

- **Bar Codes**

The MS7180 can be configured by scanning the bar codes located in the MetroSelect® Configuration Guide. This manual is available for download at [www.honeywellaidc.com](http://www.honeywellaidc.com).

- **MetroSet2**

This user-friendly Windows®-based configuration program allows you to simply 'point-and-click' at the desired scanner options. MetroSet2 is available for download at [www.honeywellaidc.com](http://www.honeywellaidc.com).

- **Serial Configuration**

This mode of configuration is ideal for OEM applications. Serial programming mode gives the end-user the ability to send a series of commands using the serial port of the host system. The commands are equivalent to the numerical values of the bar codes located in the MetroSelect Configuration Guide.

## UPGRADING THE FIRMWARE

---

The MS7180 is part of Honeywell's line of scanners with flash upgradeable firmware. The upgrade process requires, a new firmware file supplied to the customer by a customer service representative♦ and Honeywell's MetroSet2 software♦♦. A personal computer running Windows 95 or greater with an available RS232 serial or USB port is required to complete the upgrade.



PowerLink Cable #54-54014 is required when using RS232 for the upgrade process. This cable can be ordered from Metrologic at 1-800-ID-METRO. **Do not** use the standard cable supplied with keyboard wedge or RS485 scanner interface kits. If using USB for the upgrade process, the standard USB cable provided with the scanner can be used.

To upgrade the firmware in the MS7180:

1. Plug the scanner into a serial communication port on the host system.
2. Start the MetroSet2 software.
3. Click on the plus sign (+) next to *POS Scanners* to expand the supported scanner list.
4. Choose the MS7180 OrbitCG from the list.
5. Click on the Configure OrbitCG/7180 Scanner button.
6. Choose *Flash Utility* from the options list located on the left side of the screen.
7. Click on the *Open File* button in the Flash Utility window.
8. Locate and open the flash upgrade file supplied.
9. Select the COM port that the scanner is connected to on the host system.
10. Verify the settings listed in the Flash Utility window.
11. Click on the *Flash Scanner* button to begin the flash upgrade.
12. A message will appear on the screen when the upgrade is complete.

- ♦ See Customer Support on page 43.
- ♦♦ MetroSet2 is available for download, at no additional cost, from [www.honeywellaidc.com](http://www.honeywellaidc.com)

## Scanner Pinout Connections

The MS7180 scanner interfaces terminate to a 10-pin modular socket. The serial number label indicates the interface enabled when the scanner is shipped from the factory.

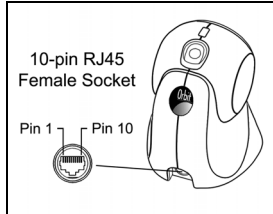


Figure 21.

MS7180-47 Keyboard Wedge and Stand-Alone Keyboard	
Pin	Function
1	Ground
2	RS232 Transmit Output
3	RS232 Receive Input
4	PC Data
5	PC Clock
6	KB Clock
7	PC +5V
8	KB Data
9	+5VDC
10	Shield Ground

MS7180-41 RS232C and Light Pen Emulation	
Pin	Function
1	Ground
2	RS232 Transmit Output
3	RS232 Receive Input
4	RTS Output
5	CTS Input
6	DTR Input/LTPN Source
7	Reserved
8	LTPN Data
9	+5VDC
10	Shield Ground

MS7180-106 RS485 and Full Speed USB	
Pin	Function
1	Ground
2	RS232 Transmit Output
3	RS232 Receive Input
4	IBM A+
5	IBM B-
6	USB D+
7	USB +V
8	USB D-
9	+5VDC
10	Shield Ground

MS7180-38 RS232 Low Speed USB	
Pin	Function
1	Ground
2	RS232 Transmit Output
3	RS232 Receive Input
4	RTS Output
5	CTS Input
6	D+
7	V USB
8	D-
9	+5VDC
10	Shield Ground

# SCANNER AND CABLE TERMINATIONS

---

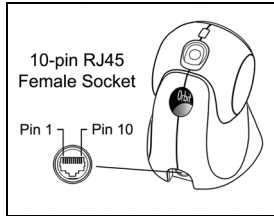
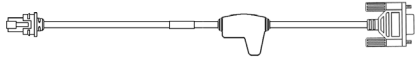
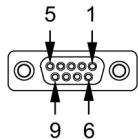



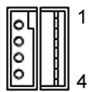
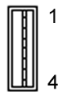
Figure 22.

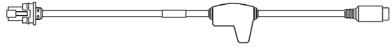

MS7180-120 Full Speed USB with EAS	
Pin	Function
1	Ground
2	RS232 Transmit Output
3	RS232 Receive Input
4	EAS -
5	EAS +
6	USB D+
7	USB +V
8	USB D-
9	+5VDC
10	Shield Ground

# SCANNER AND CABLE TERMINATIONS



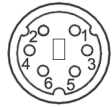
## Cable Connector Configurations (Host End)

<p>“Standard” PowerLink Cable PN 59-59000.x-3 <i>straight</i></p>		
Pin	Function	 <p>9-Pin D-Type Connector</p>
1	Shield Ground	
2	RS232 Transmit Output	
3	RS232 Receive Input	
4	DTR Input/Light Pen Source	
5	Power/Signal Ground	
6	Light Pen Data	
7	CTS Input	
8	RTS Output	
9	+5VDC	

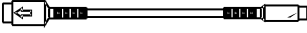


<p>USB Power/Communication Cable PN 54-54213.x-N-3, 54-54214.x-N-3 or 59-59235.x-N-3</p>			
Pin	Function	 <p>Locking, Type A PN 54-54213.x-N-3 or PN 54-54214.x-N-3</p>	 <p>Non-Locking, Type A PN 54-54214.x-N-3</p>
1	PC +5V/V_USB		
2	D-		
3	D+		
4	Ground		
Shield	Shield		

<p>Stand Alone Keyboard PowerLink Cable PN 59-59020.x-3</p>		
Pin	Function	 <p>6-Pin Male Mini-DIN Connector</p>
1	PC Data	
2	No Connect	
3	Power Ground	
4	+5VDC PC Power to KB	
5	PC Clock	
6	No Connect	

**Cable Connector Configurations (Host End)**

Keyboard Wedge PowerLink Cable PN 59-59002x-3		
<b>Pin</b>	<b>Function</b>	 <p>5-Pin DIN, Female</p>
1	Keyboard Clock	
2	Keyboard Data	
3	No Connect	
4	Power Ground	
5	+5 Volts DC	 <p>6-Pin DIN, Male</p>
<b>Pin</b>	<b>Function</b>	
1	PC Data	
2	No Connect	
3	Power Ground	
4	+5 Volts DC	
5	PC Clock	
6	No Connect	

Honeywell will supply an adapter cable with a 5-pin DIN male connector on one end and a 6-pin mini DIN female connector on the other. According to the termination required, connect the appropriate end of the adapter cable to the PowerLink cable, leaving the necessary termination exposed for connecting to the keyboard and the keyboard port on the PC.

Keyboard Wedge Adapter Cable		
<b>Pin</b>	<b>Function</b>	 <p>5-Pin DIN, Male</p>
1	PC Clock	
2	PC Data	
3	No Connect	
4	Power Ground	
5	+5 Volts DC	 <p>6-pin Mini DIN, Female</p>
<b>Pin</b>	<b>Function</b>	
1	Keyboard Data	
2	No Connect	
3	Power Ground	
4	+5 Volts DC	
5	Keyboard Clock	
6	No Connect	

## Safety

### ITE Equipment

IEC 60950-1, EN 60950-1

### Laser

Laser Class 1: IEC 60825-1:1993+A1+A2,  
EN 60825-1:1994+A1+A2



### Caution

Use of controls or adjustments or performance of procedures other than those specified herein may result in hazardous laser light exposure. Under no circumstances should the customer attempt to service the laser scanner. Never attempt to look at the laser beam, even if the scanner appears to be nonfunctional. Never open the scanner in an attempt to look into the device. Doing so could result in hazardous laser light exposure. The use of optical instruments with the laser equipment will increase eye hazard.

### Atención

La modificación de los procedimientos, o la utilización de controles o ajustes distintos de los especificados aquí, pueden provocar una luz de láser peligrosa. Bajo ninguna circunstancia el usuario deberá realizar el mantenimiento del láser del escáner. Ni intentar mirar al haz del láser incluso cuando este no esté operativo. Tampoco deberá abrir el escáner para examinar el aparato. El hacerlo puede conllevar una exposición peligrosa a la luz de láser. El uso de instrumentos ópticos con el equipo láser puede incrementar el riesgo para la vista.

### Attention

L'emploi de commandes, réglages ou procédés autres que ceux décrits ici peut entraîner de graves irradiations. Le client ne doit en aucun cas essayer d'entretenir lui-même le scanner ou le laser. Ne regardez jamais directement le rayon laser, même si vous croyez que le scanner est inactif. N'ouvrez jamais le scanner pour regarder dans l'appareil. Ce faisant, vous vous exposez à une rayonnement laser qui est dangereux. L'emploi d'appareils optiques avec cet équipement laser augmente le risque d'endommagement de la vision.

### Achtung

Die Verwendung anderer als der hier beschriebenen Steuerungen, Einstellungen oder Verfahren kann eine gefährliche Laserstrahlung hervorrufen. Der Kunde sollte unter keinen Umständen versuchen, den Laser-Scanner selbst zu warten. Sehen Sie niemals in den Laserstrahl, selbst wenn Sie glauben, daß der Scanner nicht aktiv ist. Öffnen Sie niemals den Scanner, um in das Gerät hineinzusehen. Wenn Sie dies tun, können Sie sich einer gefährlichen Laserstrahlung aussetzen. Der Einsatz optischer Geräte mit dieser Laserausrüstung erhöht das Risiko einer Sehschädigung.

### Attenzione

L'utilizzo di sistemi di controllo, di regolazioni o di procedimenti diversi da quelli descritti nel presente Manuale può provocare delle esposizioni a raggi laser rischiose. Il cliente non deve assolutamente tentare di riparare egli stesso lo scanner laser. Non guardate mai il raggio laser, anche se credete che lo scanner non sia attivo. Non aprite mai lo scanner per guardare dentro l'apparecchio. Facendolo potete esporvi ad una esposizione laser rischiosa. L'uso di apparecchi ottici, equipaggiati con raggi laser, aumenta il rischio di danni alla vista..



## EMC

### Emissions

FCC Part 15, ICES-003, CISPR 22, EN 55022

### Immunity

CISPR 24, EN 55024

*Note:* Immunity performance is not guaranteed for scanner cables greater than 3 meters in length when fully extended.

Changes or modifications not expressly approved by the party responsible for compliance could void the user's authority to operate the equipment.

### Class A Devices

**The following is applicable when the scanner cable is greater in length than 3 meters (9.8 feet) when fully extended:**

**Les instructions ci-dessous s'appliquent aux cables de scanner dépassant 3 mètres (9.8 pieds) de long en extension maximale:**

**Folgendes trifft zu, wenn das Scannerkabel länger als 3 Meter ist:**

This equipment has been tested and found to comply with limits for a Class A digital device, pursuant to part 15 of the FCC Rules. These limits are designed to provide reasonable protection against harmful interference when the equipment is operated in a commercial environment. This equipment generates, uses and can radiate radio frequency energy and, if not installed and used in accordance with the instruction manual, may cause harmful interference to radio communications. Operation of this equipment in a residential area is likely to cause harmful interference, in which case the user will be required to correct the interference at their own expense. Any unauthorized changes or modifications to this equipment could void the user's authority to operate this device.

This device complies with part 15 of the FCC Rules. Operation is subject to the following two conditions: (1) This device may not cause harmful interference, and (2) this device must accept any interference received, including interference that may cause undesired operation.

### Notice

This Class A digital apparatus complies with Canadian ICES-003.

### Remarque

Cet appareil numérique de classe A est conforme à la norme canadienne NMB-003.

### European Standard

#### Warning

This is a class A product. In a domestic environment this product may cause radio interference in which case the user may be required to take adequate measures.

### Funkstöreigenschaften nach EN55022:1998

#### Warnung!

Dies ist eine Einrichtung der Klasse A. Diese Einrichtung kann im Wohnbereich Funkstörungen verursachen. In diesem Fall kann vom Betreiber verlangt werden, angemessene Massnahmen durchzuführen.

## REGULATORY COMPLIANCE

---

### Standard Europeo

#### Attenzione

Questo e' un prodotto di classe A. Se usato in vicinanza di residenze private potrebbe causare interferenze radio che potrebbero richiedere all'utilizzatore opportune misure.

#### Attention

Ce produit est de classe "A". Dans un environnement domestique, ce produit peut être la cause d'interférences radio. Dans ce cas l'utilisateur peut être amené à prendre les mesures adéquates.

## EMC

Changes or modifications not expressly approved by the party responsible for compliance could void the user's authority to operate the equipment.

### Class B Devices

**The following is applicable when the scanner cable is less than 3 meters (9.8 feet) in length when fully extended:**

**Les instructions ci-dessous s'appliquent aux cables de scanner ne dépassant pas 3 mètres (9.8 pieds) de long en extension maximale:**

**Folgendes trifft zu, wenn das Scannerkabel kürzer als 3 Meter ist:**

This device complies with Part 15 of the FCC Rules. Operation is subject to the following two conditions: (1) This device may not cause harmful interference, and (2) this device must accept any interference received, including interference that may cause undesired operation.

This equipment has been tested and found to comply with the limits for a Class B digital device, pursuant to Part 15 of the FCC rules. These limits are designed to provide reasonable protection against harmful interference in a residential installation. This equipment generates, uses and can radiate radio frequency energy and, if not installed and used in accordance with the instructions, may cause harmful interference to radio communications. However, there is no guarantee that interference will not occur in a particular installation. If this equipment does cause harmful interference to radio or television reception, which can be determined by turning the equipment off and on, the user is encouraged to try to correct the interference by one or more of the following measures:

- Reorient or relocate the receiving antenna
- Increase the separation between the equipment and receiver
- Connect the equipment into an outlet on a circuit different from that to which the receiver is connected
- Consult the dealer or an experienced radio/TV technician for help

### Notice

This Class B digital apparatus complies with Canadian ICES-003.

### Remarque

Cet appareil numérique de classe B est conforme à la norme canadienne NMB-003.

## LIMITED WARRANTY

---

Honeywell International Inc. ("HII") warrants its products and optional accessories to be free from defects in materials and workmanship and to conform to HII's published specifications applicable to the products purchased at the time of shipment. This warranty does not cover any HII product which is (i) improperly installed or used; (ii) damaged by accident or negligence, including failure to follow the proper maintenance, service, and cleaning schedule; or (iii) damaged as a result of (A) modification or alteration by the purchaser or other party, (B) excessive voltage or current supplied to or drawn from the interface connections, (C) static electricity or electro-static discharge, (D) operation under conditions beyond the specified operating parameters, or (E) repair or service of the product by anyone other than HII or its authorized representatives.

This warranty shall extend from the time of shipment for the duration published by HII for the product at the time of purchase ("Warranty Period"). Any defective product must be returned (at purchaser's expense) during the Warranty Period to HII factory or authorized service center for inspection. No product will be accepted by HII without a Return Materials Authorization, which may be obtained by contacting HII. In the event that the product is returned to HII or its authorized service center within the Warranty Period and HII determines to its satisfaction that the product is defective due to defects in materials or workmanship, HII, at its sole option, will either repair or replace the product without charge, except for return shipping to HII.

EXCEPT AS MAY BE OTHERWISE PROVIDED BY APPLICABLE LAW, THE FOREGOING WARRANTY IS IN LIEU OF ALL OTHER COVENANTS OR WARRANTIES, EITHER EXPRESSED OR IMPLIED, ORAL OR WRITTEN, INCLUDING, WITHOUT LIMITATION, ANY IMPLIED WARRANTIES OF MERCHANTABILITY OR FITNESS FOR A PARTICULAR PURPOSE, OR NON-INFRINGEMENT.

HII'S RESPONSIBILITY AND PURCHASER'S EXCLUSIVE REMEDY UNDER THIS WARRANTY IS LIMITED TO THE REPAIR OR REPLACEMENT OF THE DEFECTIVE PRODUCT WITH NEW OR REFURBISHED PARTS. IN NO EVENT SHALL HII BE LIABLE FOR INDIRECT, INCIDENTAL, OR CONSEQUENTIAL DAMAGES, AND, IN NO EVENT, SHALL ANY LIABILITY OF HII ARISING IN CONNECTION WITH ANY PRODUCT SOLD HEREUNDER (WHETHER SUCH LIABILITY ARISES FROM A CLAIM BASED ON CONTRACT, WARRANTY, TORT, OR OTHERWISE) EXCEED THE ACTUAL AMOUNT PAID TO HII FOR THE PRODUCT. THESE LIMITATIONS ON LIABILITY SHALL REMAIN IN FULL FORCE AND EFFECT EVEN WHEN HII MAY HAVE BEEN ADVISED OF THE POSSIBILITY OF SUCH INJURIES, LOSSES, OR DAMAGES. SOME STATES, PROVINCES, OR COUNTRIES DO NOT ALLOW THE EXCLUSION OR LIMITATIONS OF INCIDENTAL OR CONSEQUENTIAL DAMAGES, SO THE ABOVE LIMITATION OR EXCLUSION MAY NOT APPLY TO YOU.

All provisions of this Limited Warranty are separate and severable, which means that if any provision is held invalid and unenforceable, such determination shall not affect the validity of enforceability of the other provisions hereof. Use of any peripherals not provided by the manufacturer may result in damage not covered by this warranty. This includes but is not limited to: cables, power supplies, cradles, and docking stations. HII extends these warranties only to the first end-users of the products. These warranties are non-transferable.

The duration of the limited warranty for the MS7180 is three (3) year(s). The accessories have a 90 day limited warranty from the date of manufacture.

## PATENTS

---

This Honeywell product may be covered by, but is not limited to, one or more of the following U.S. Patents:

U.S. Patent No.;

4,960,985; 5,081,342; 5,216,232; 5,260,553; 5,340,971; 5,340,973;  
5,424,525; 5,468,951; 5,484,992; 5,525,789; 5,528,024; 5,557,093;  
5,591,953; 5,616,908; 5,627,359; 5,637,852; 5,661,292; 5,777,315;  
5,789,730; 5,789,731; 5,811,780; 5,828,048; 5,844,227; 5,925,870;  
6,029,894; 6,098,885; 6,209,789; 6,257,492; 6,283,375; 6,286,760;  
6,299,067; 6,347,743; 6,412,696; 6,460,767; 6,572,018; 6,604,684;  
6,607,133; 6,619,549; 6,637,655; 6,651,890; 6,860,427; 6,863,217;  
6,975,456; 7,044,383; 7,097,105; D408,806

No license right or sublicense is granted, either expressly or by implication, estoppel, or otherwise, under any METROLOGIC or third party intellectual property rights (whether or not such third party rights are licensed to METROLOGIC), including any third party patent listed above, except for an implied license only for the normal intended use of the specific equipment, circuits, and devices represented by or contained in the METROLOGIC products that are physically transferred to the user, and only to the extent of METROLOGIC'S license rights and subject to any conditions, covenants and restrictions therein.

Other worldwide patents pending.

# INDEX

---

## A

AC ..... *see power*  
accessories ..... 2, 3  
adapter ..... 9, 35  
audible indicator ..... 14

## B

bar code ..... 30  
bar width ..... 27  
beep ..... *see indicator*  
blue ..... *see indicator*  
button ..... 31

## C

cable  
    communication. 2, 3, 4, 7–11, 34–35  
    EAS ..... 12  
    pin assignments ..... 32, 34–35  
caution ..... 5, 36  
CE ..... *see compliance*  
class ..... 38  
compliance ..... 5, 36, 37  
configuration ..... 30  
current ..... 28

## D

DC ..... *see power*  
default settings ..... 14, 15, 29  
depth of field  
    normal ..... 20, 21, 27  
    reduced ..... 20, 22, 27

## E

EAS ..... 12  
EMC ..... 37  
EMI ..... 37  
emissions ..... 37

## F

flash ..... 1

## H

hole pattern ..... 6

host ..... 23–26

## I

immunity ..... 37  
indicator  
    audible... 4, 14, 17–19, 23–26, 27  
    failure ..... 19  
    visual ..... 4, 17–19, 23–26, 27  
interface ..... 27, 29  
    Keyboard Wedge ..... 1, 3, 9, 26  
    Light Pen ..... 1, 7  
    RS232 ..... 1, 2, 7, 25, 26  
    RS485 ..... 1, 8  
    Stand-Alone Keyboard .... 1, 3, 10  
    USB ..... 1, 2, 3, 11, 12

## K

keyboard  
    country ..... 29  
    type ..... 29  
keyboard emulation mode ..... 11  
Keyboard Wedge ..... *see interface*

## L

label ..... 5  
laser ..... 4, 36  
LED ..... *see indicator*  
Light Pen ..... *see interface*  
light source ..... 27

## M

maintenance ..... 5  
manual ..... 2  
MetroSelect ..... 30  
modes ..... 13  
motor speed ..... 27

## N

notices ..... 38

## O

operation ..... 38

# INDEX

---

## P

patents.....	40
PC.....	35
pin assignments	
cable.....	34–35
scanner.....	32
port.....	7–11, 23–26
power.....	2, 3, 7–11, 27, 28
power save.....	13
PowerLink.....	<i>see cable</i>
protocol.....	29

## R

razz.....	<i>see indicator</i>
RS232.....	<i>see interface</i>
RS485.....	<i>see interface</i>

## S

safety.....	36, 38
scan lines.....	27
scan pattern.....	27
horizontal raster.....	14
scan speed.....	27
scan zone.....	<i>see depth of field</i>
serial emulation mode.....	11
specification	
electrical.....	28

environmental.....	28
mechanical.....	28
operational.....	27
Stand-Alone Keyboard.....	<i>see interface</i>
storage.....	28
switch bank.....	12

## T

tone.....	1, 17
transformer.....	<i>see power</i>
troubleshooting.....	23–26

## U

UL.....	<i>see compliance</i>
USB.....	<i>see interface</i>

## V

ventilation.....	28
voltage.....	7–11, 28
volume.....	17

## W

warranty.....	39
weight.....	27
white.....	<i>see indicator</i>
window.....	4, 5

### Technical Assistance

If you need assistance installing or troubleshooting your device, please call your distributor or the nearest technical support office:

#### North America/Canada

Telephone: (800) 782-4263

*E-mail: [hsmnasupport@honeywell.com](mailto:hsmnasupport@honeywell.com)*

#### Latin America

Telephone: (803) 835-8000

Telephone: (800) 782-4263

*E-mail: [hsmlasupport@honeywell.com](mailto:hsmlasupport@honeywell.com)*

#### Brazil

Telephone: +55 (21) 3535-9100

Fax: +55 (21) 3535-9105

*E-mail: [brsuporte@honeywell.com](mailto:brsuporte@honeywell.com)*

#### Mexico

Telephone: (803) 835-8000

*E-mail: [ltechsupport@honeywell.com](mailto:ltechsupport@honeywell.com)*

#### Europe, Middle East, and Africa

Telephone: +31 (0) 40 7999 393

Fax: +31 (0) 40 2425 672

*E-mail: [hsmeurosupport@honeywell.com](mailto:hsmeurosupport@honeywell.com)*

#### Hong Kong

Telephone: +852-29536436

Fax: +851-2511-3557

*E-mail: [aptechsupport@honeywell.com](mailto:aptechsupport@honeywell.com)*

#### Singapore

Telephone: +65-6842-7155

Fax: +65-6842-7166

*E-mail: [aptechsupport@honeywell.com](mailto:aptechsupport@honeywell.com)*

#### China

Telephone: +86 800 828 2803

Fax: +86-512-6762-2560

*E-mail: [aptechsupport@honeywell.com](mailto:aptechsupport@honeywell.com)*

#### Japan

Telephone: +81-3-3839-8511

Fax: +81-3-3839-8519

*E-mail: [aptechsupport@honeywell.com](mailto:aptechsupport@honeywell.com)*

### Online Technical Assistance

You can also access technical assistance online at [www.honeywellaidc.com](http://www.honeywellaidc.com).

### **Product Service and Repair**

Honeywell International Inc. provides service for all its products through service centers throughout the world. To obtain warranty or non-warranty service, contact the appropriate location below to obtain a Return Material Authorization number (RMA #) before returning the product.

#### **North America**

Telephone: (800) 782-4263

*E-mail: [hsmnaservice@honeywell.com](mailto:hsmnaservice@honeywell.com)*

#### **Latin America**

Telephone: (803) 835-8000

Telephone: (800) 782-4263

Fax: (239) 263-9689

*E-mail: [laservice@honeywell.com](mailto:laservice@honeywell.com)*

#### **Brazil**

Telephone: +55 (21) 3535-9100

Fax: +55 (21) 3535-9105

*E-mail: [brservice@honeywell.com](mailto:brservice@honeywell.com)*

#### **Mexico**

Telephone: +52 (55) 5203-2100

Fax: +52 (55) 5531-3672

*E-mail: [mxservice@honeywell.com](mailto:mxservice@honeywell.com)*

#### **Europe, Middle East, and Africa**

Telephone: +31 (0) 40 2901 633

Fax: +31 (0) 40 2901 631

*E-mail: [euroservice@honeywell.com](mailto:euroservice@honeywell.com)*

#### **Hong Kong**

Telephone: +852-29536436

Fax: +851-2511-3557

*E-mail: [apservice@honeywell.com](mailto:apservice@honeywell.com)*

#### **Singapore**

Telephone: +65-6842-7155

Fax: +65-6842-7166

*E-mail: [apservice@honeywell.com](mailto:apservice@honeywell.com)*

#### **China**

Telephone: +86 800 828 2803

Fax: +86-512-6762-2560

*E-mail: [apservice@honeywell.com](mailto:apservice@honeywell.com)*

#### **Japan**

Telephone: +81-3-3839-8511

Fax: +81-3-3839-8519

*E-mail: [apservice@honeywell.com](mailto:apservice@honeywell.com)*

### **Online Product Service and Repair Assistance**

You can also access product service and repair assistance online at [www.honeywellaidc.com](http://www.honeywellaidc.com).









**Honeywell Scanning & Mobility**  
90 Coles Road  
Blackwood, NJ 08012



00-02284 Rev C  
October 2009