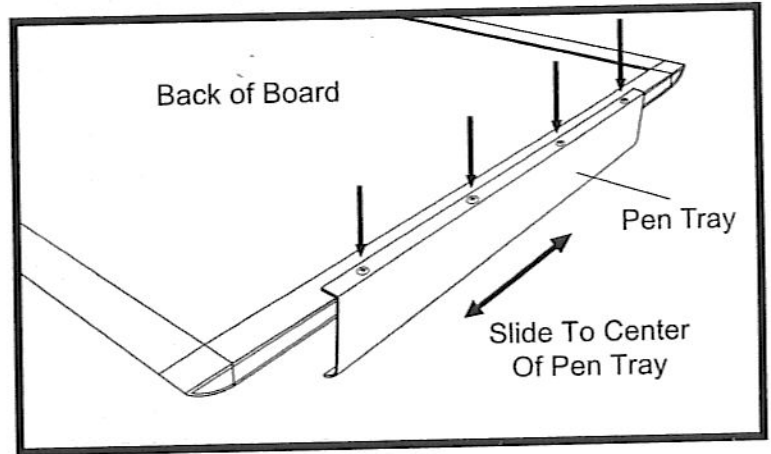


# LORELL™ Magnetic Dry-Erase Marker Board • LLR69653/69654 Instruction Manual

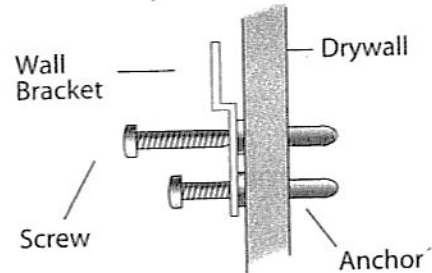
## SECURING PEN TRAY TO BOARD FRAME

1. Position Pen Tray at desired location along board rail.
2. Place 4 screws into board rail where the 4 pre-drilled holes are on the pen tray. Tighten with spanner.
3. Check results. If not satisfied, start over from the beginning.

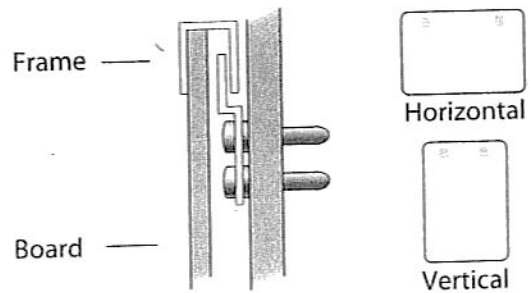


## MOUNTING INSTRUCTIONS

1. Punch or drill 8 holes in wall that are no larger than 1/4" in diameter. Insert anchors into holes so that they are set firmly into wall. Attach bracket into anchors with screws. Do not over tighten.



2. Place back of frame over top of wall bracket so that wall bracket slips between back of board and metal frame. Center board on brackets.



## PARTS & QUANTITY

