

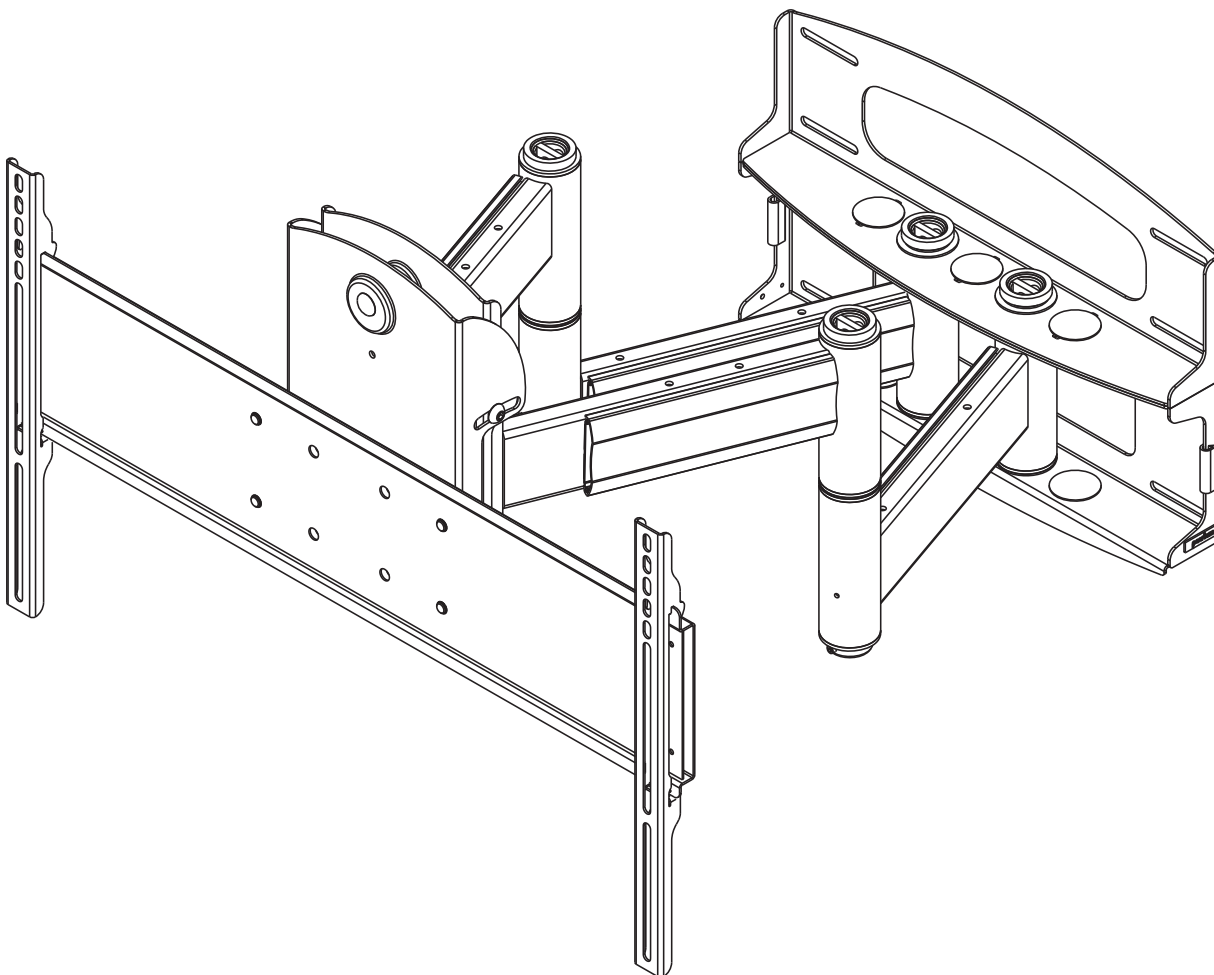


Installation and Assembly - Universal Articulating  
Swivel Double-Arm for 42" - 95" Plasma Screens

Models: PLAV70-UNL,  
PLAV70-UNLP



Max UL Load Capacity:  
200 lb (91 kg)



**NOTE:** Read entire instruction sheet before you start installation and assembly.

## **⚠ WARNING**

- Do not begin to install your Peerless product until you have read and understood the instructions and warnings contained in this Installation Sheet. If you have any questions regarding any of the instructions or warnings, for US customers please call Peerless customer care at 1-800-865-2112, for all international customers, please contact your local distributor.
- This product should only be installed by someone of good mechanical aptitude, has experience with basic building construction, and fully understands these instructions.
- Make sure that the supporting surface will safely support the combined load of the equipment and all attached hardware and components.
- Never exceed the Maximum Load Capacity. See page one.
- If mounting to wood wall studs, make sure that mounting screws are anchored into the center of the studs. Use of an "edge to edge" stud finder is highly recommended.
- Always use an assistant or mechanical lifting equipment to safely lift and position equipment.
- Tighten screws firmly, but do not overtighten. Overtightening can damage the items, greatly reducing their holding power.
- This product is intended for indoor use only. Use of this product outdoors could lead to product failure and personal injury.
- This product was designed to be installed on the following wall construction only;

### **WALL CONSTRUCTION**

### **HARDWARE REQUIRED**

- |                    |   |
|--------------------|---|
| • Wood Stud        | Included  |
| • Wood Beam        | Included  |
| • Solid Concrete   | Included  |
| • Cinder Block     | Included  |
| • Metal Stud       | Do not attach except with Peerless Metal Stud Accessory Kit - ACC415; (not evaluated by UL) |
| • Brick            | Contact Qualified Professional (not evaluated by UL)  |
| • Other or unsure? | Contact Qualified Professional  |

## **Tools Needed for Assembly**

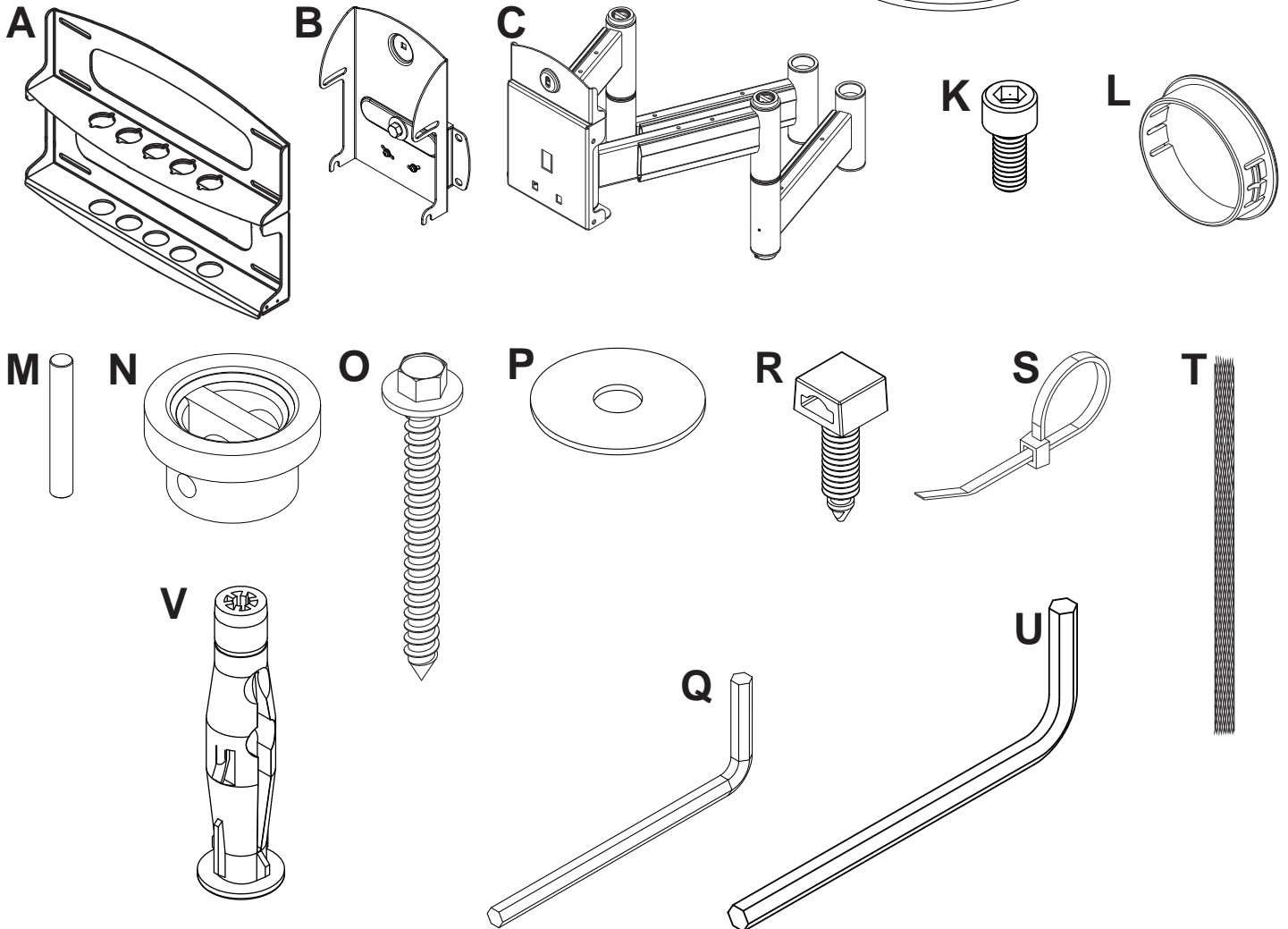
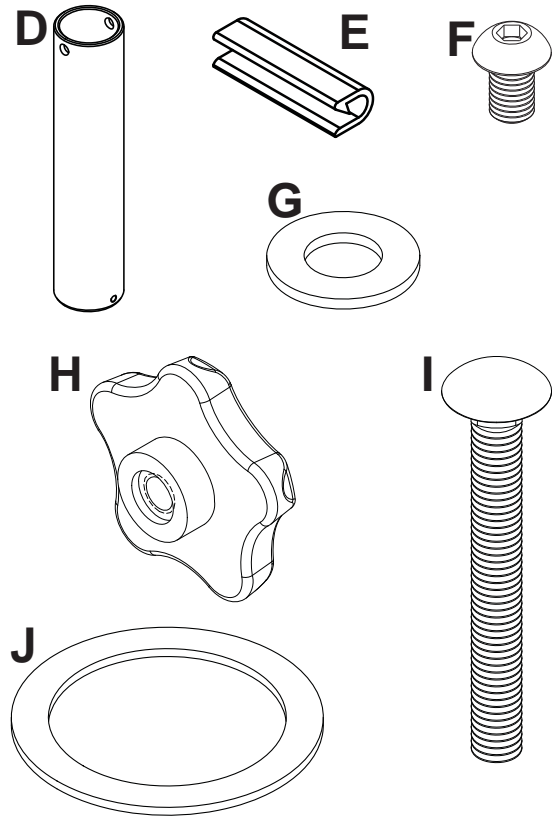
- stud finder ("edge to edge" stud finder is recommended)
- drill
- 7/32" drill bit for wood studs
- 3/8" masonry drill bit for concrete
- 7/16" socket wrench with extension (recommended)
- level
- phillips screwdriver
- 3/4" open-end wrench

## **Accessories**

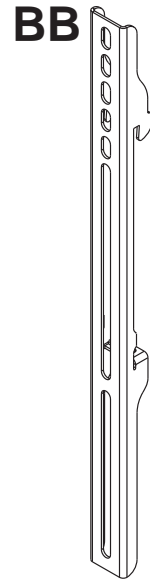
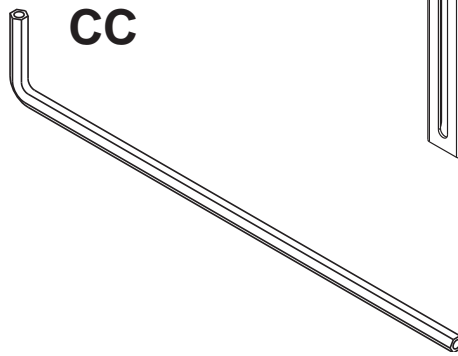
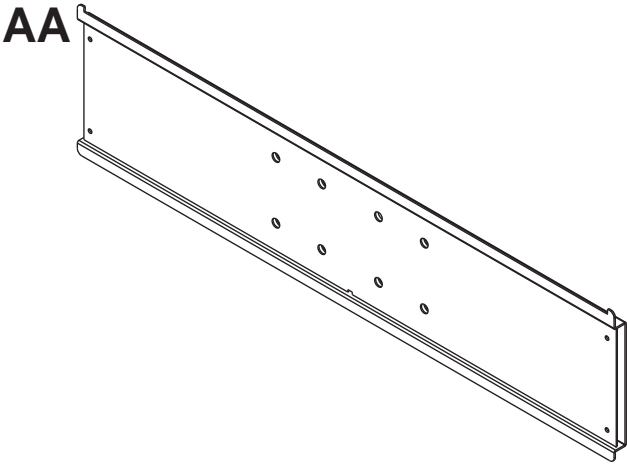
- External Wall Plate (WSP716, WSP716-S, WSP724, WSP724-S) (Metal Stud not evaluated by UL)

Parts List		PLAV70-UNL PLAV70-UNLP
Description	Qty	Part #
A wall plate	1	201-1040
B tilt-roll assembly	1	201-1042
C arm assembly	1	201-1044
D wall support arm axle	2	201-1041
E vinyl trim	3	600-1012
F M10 x 15mm screw bolt	8	520-9262
G .505 x .062" nylon washer	1	540-1074
H tilt adjustment knob	1	560-0108
I carriage bolt 3/8"-16 x 3.25"	1	520-1315
J 1.525 x .062" delrin washer	4	540-1070
K #8-32 x .375" socket screw	2	520-1210
L plastic finishing cap	6	590-1123
M holding pin	2	580-1166
N retainer plug	2	590-1007
O 5/16 x 3" wood screw	8	520-1243
P .250 x .068" washer	8	540-1063
Q 9/64" allen wrench	1	560-9728
R cable management clips	8	590-1166
S cable tie	8	590-1168
T 36" polyester mesh sleeve	2	600-1015
U 6mm allen wrench	1	560-9716
V concrete anchor	8	590-0321

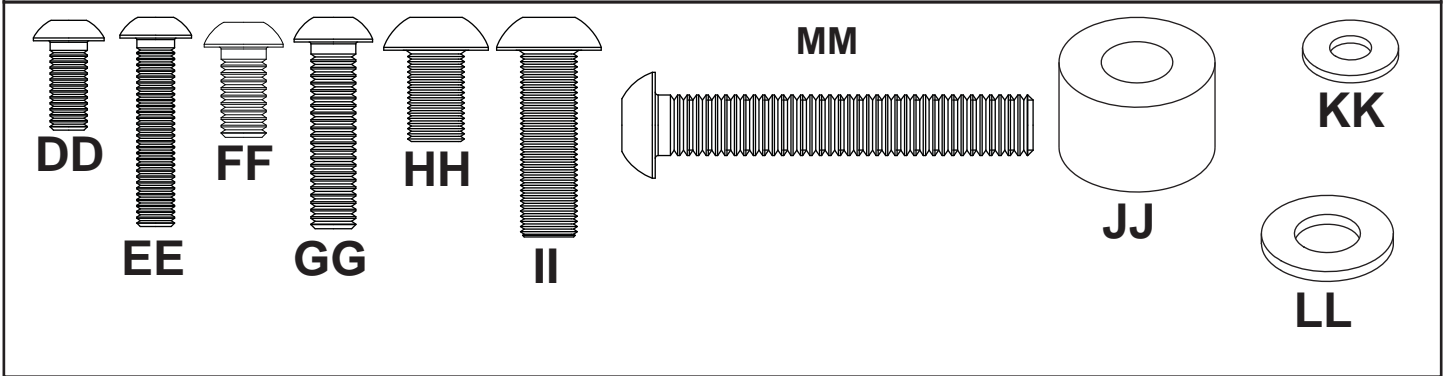
Some parts may appear slightly different than illustrated.



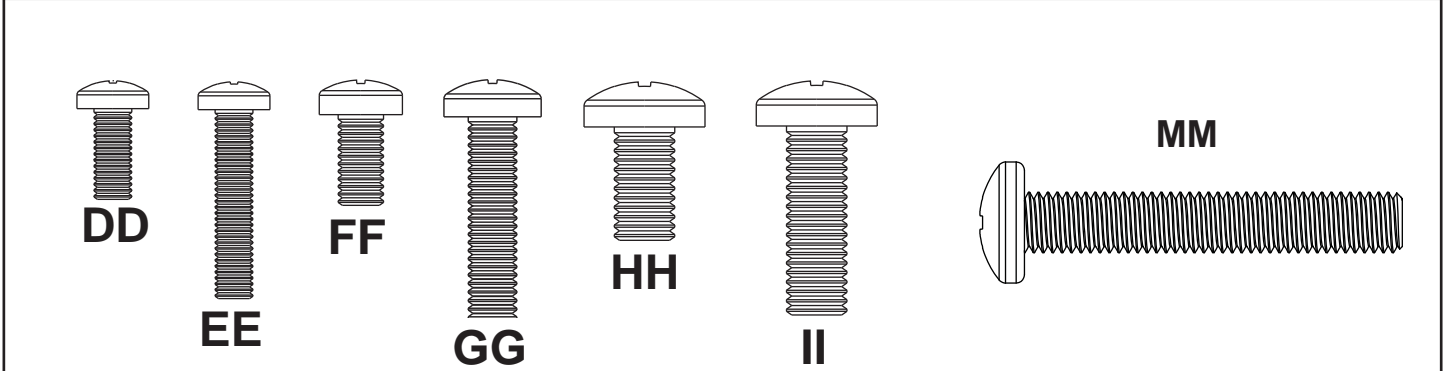
Parts List		PLAV70-UNL	PLAV70-UNLP
Description	Qty	Part #	Part #
AA adapter plate	1	201-1110	201-1110
BB adapter bracket	2	202-1655	202-1656
CC 4mm allen wrench	1	560-9646	560-0072
DD M4 x 12mm skt. pin screw	4	520-1079	504-9013
EE M4 x 25mm skt. pin screw	4	520-1082	504-1015
FF M6 x 12mm skt. pin screw	4	520-1050	520-1128
GG M6 x 25mm skt. pin screw	4	520-1211	520-1208
HH M8 x 12mm skt. pin screw	4	520-1724	520-9571
II M8 x 25mm skt. pin screw	4	520-1101	520-1031
JJ M4 washer	4	540-9400	540-9400
KK M6/M8 washer	8	540-9406	540-9406
LL spacer	8	600-1215	600-1215
MM M8 x 50mm	4	521-1013	521-1009



### Security Adapter Bracket Fasteners



### Phillips Adapter Bracket Fasteners



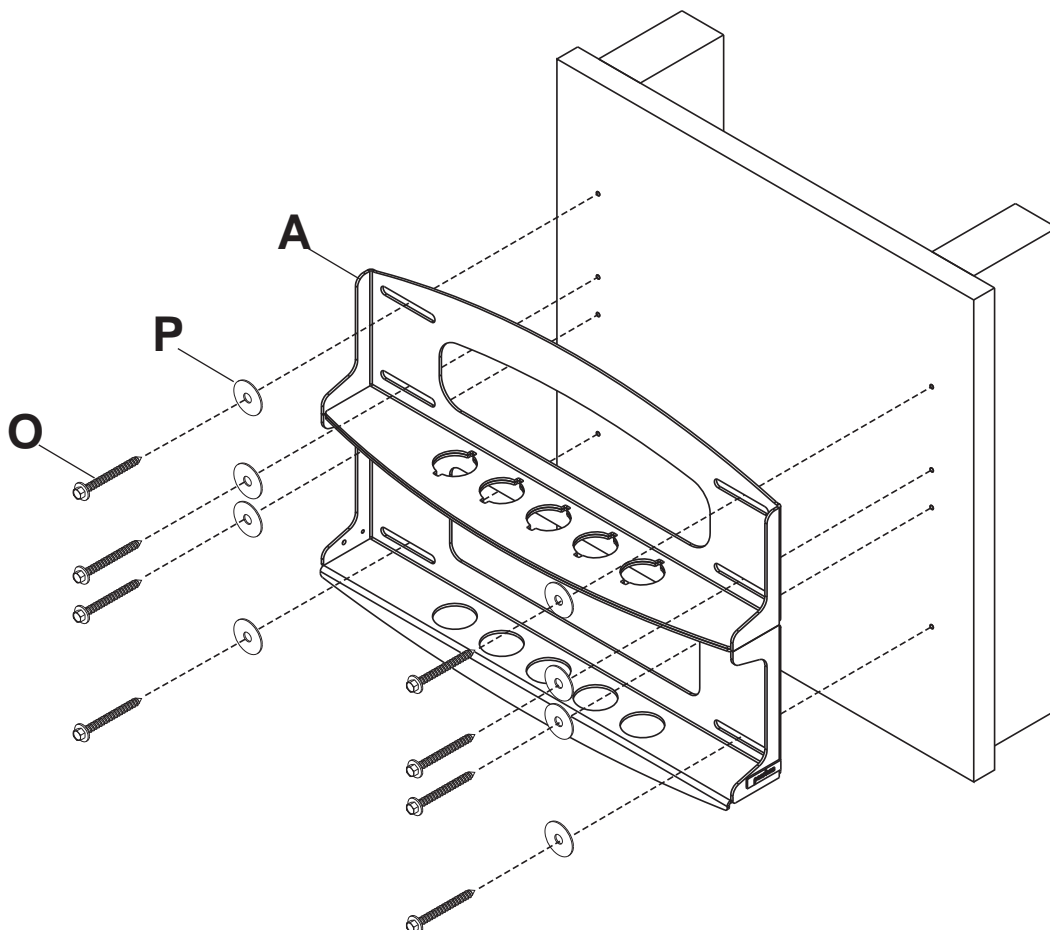
## Installation to Wood Stud Wall

### ⚠ WARNING

- Installer must verify that the supporting surface will safely support the combined load of the equipment and all attached hardware and components.
- Tighten wood screws so that wall plate is firmly attached, but do not overtighten. Overtightening can damage the screws, greatly reducing their holding power.
- Never tighten in excess of 80 in. • lb (9 N.M.).
- Make sure that mounting screws are anchored into the center of the stud. The use of an "edge to edge" stud finder is highly recommended.
- Hardware provided is for attachment of mount through standard thickness drywall or plaster into wood studs. Installers are responsible to provide hardware for other types of mounting situations (not evaluated by UL).

- 1 Wall plate (**A**) can be mounted to two studs that are 16" apart. Use a stud finder to locate the edges of the studs. Use of an edge-to-edge stud finder is highly recommended. Based on their edges, draw a vertical line down each stud's center. Place wall plate on wall as a template. The top mounting slots should be located .43" below the desired screen center. Level plate, and mark the center of the eight mounting holes. Make sure that the mounting holes are on the stud centerlines. Drill eight 7/32" dia. holes 3" deep. Make sure that the wall plate is level, secure it using eight 5/16 x 3" wood screws (**O**) and washers (**P**).

*Skip to step 2 on page 7.*

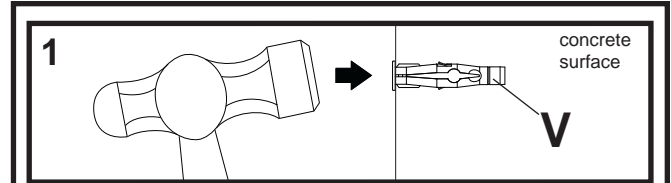


# Installation to Solid Concrete or Cinder Block Wall

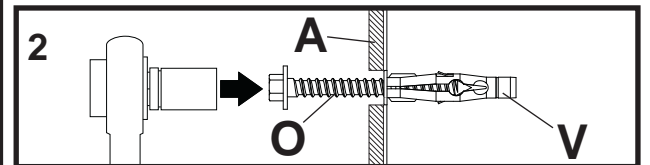
## ⚠ WARNING

- When installing Peerless wall mounts on cinder block, verify that you have a minimum of 1-3/8" of actual concrete thickness in the hole to be used for the concrete anchors. Do not drill into mortar joints! Be sure to mount in a solid part of the block, generally 1" minimum from the side of the block. Cinder block must meet ASTM C-90 specifications. It is suggested that a standard electric drill on slow setting is used to drill the hole instead of a hammer drill to avoid breaking out the back of the hole when entering a void or cavity.
- Concrete must be 2000 psi density minimum. Lighter density concrete may not hold concrete anchor.
- Make sure that the supporting surface will safely support the combined load of the equipment and all attached hardware and components.

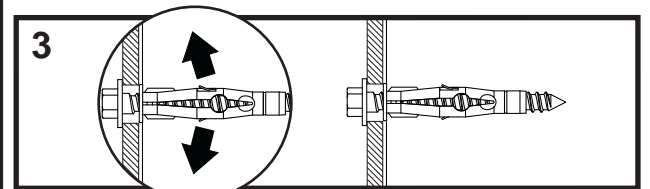
- 1** Use wall plate (A), making sure that it is level, as a template to mark holes. The top mounting slots should be located .43" below the desired screen center. Use the masonry bit to drill 3/8" (10mm) dia. holes to a minimum depth of 3" (76 mm). Insert anchors (V) in holes flush with wall as shown (right). Place wall plate (A) over anchors (V) and secure with 5/16 x 3" wood screws (O) and washers (P).



Drill holes and insert anchors (V).



Place plate (A) over anchors (V) and secure with screws (O).



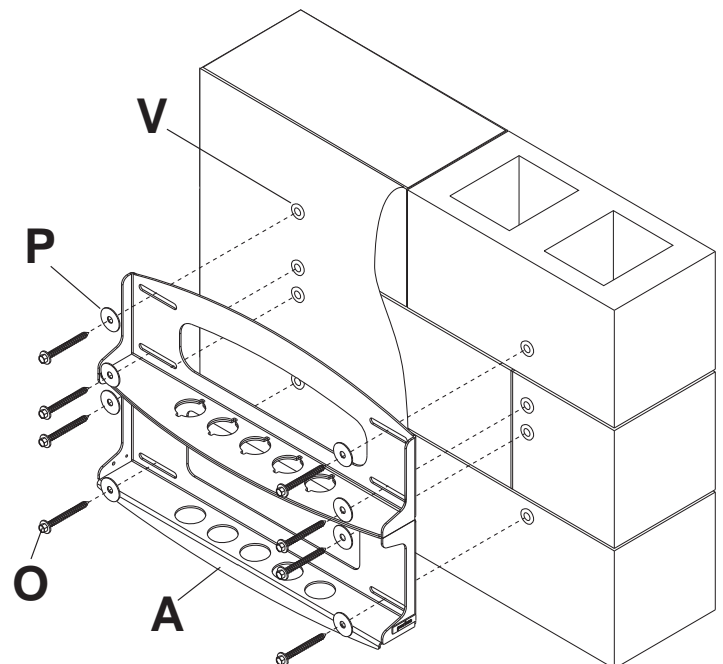
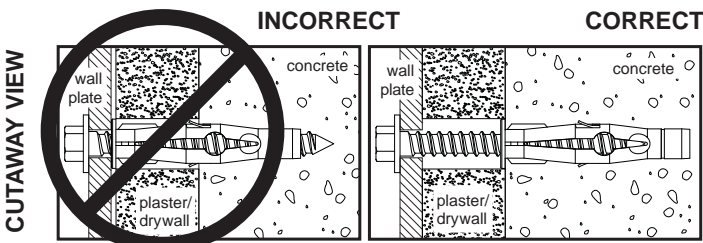
Tighten all fasteners.

## ⚠ WARNING

- Tighten wood screws so that wall plate is firmly attached, but do not overtighten. Overtightening can damage screws, greatly reducing their holding power.
- Never tighten in excess of 80 in • lb (9 N.M.).

## ⚠ WARNING

- Always attach concrete expansion anchors directly to load-bearing concrete.
- Never attach concrete expansion anchors to concrete covered with plaster, drywall, or other finishing material. If mounting to concrete surfaces covered with a finishing surface is unavoidable (not evaluated by UL), the finishing surface must be counterbored as shown below. If plaster/drywall is thicker than 5/8", custom fasteners must be supplied by installer (not evaluated by UL).



# ⚠ WARNING

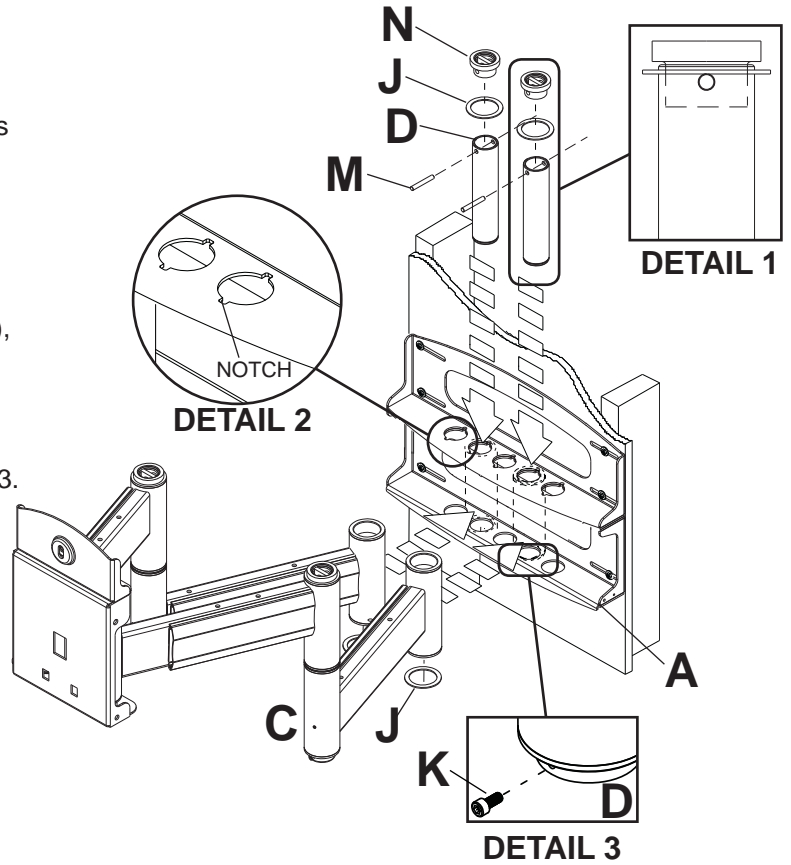
- If you are uncertain that product is properly installed, call customer care.

**2** **Note:** There are three mounting positions. The center position is shown right. Arm assemblies must be mounted with one mounting hole separating them. Slide washers (J) over wall support arm axles (D). Next, insert plastic caps (N) into axles. Then, insert holding pins (M) into axles. See detail 1.

**2-1** Place arm assembly (C) with washers (J) into wall plate (A). Insert axle assemblies shown in detail 1 through wall plate (A), arm assembly (C), and washers (J). Lock axles in place by aligning holding pins (M) with notches shown in detail 2.

**2-2** Insert socket cap screws (K) into hole at bottom of wall support arm axles (D) as shown in detail 3. Tighten screw using 9/64" allen wrench (Q).

**Note:** Fit of axles (D) into wall plate (A) and arm assembly (C) will be tight. Gently tap into place with a hammer if necessary.

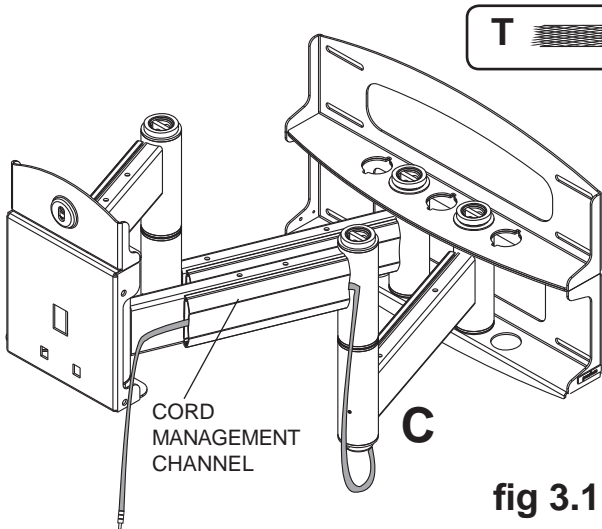


**3** **To route cables through cord management channels:** Slide one mesh sleeve (T) over each cable. Use cable ties (S) to tighten mesh sleeves to cables.

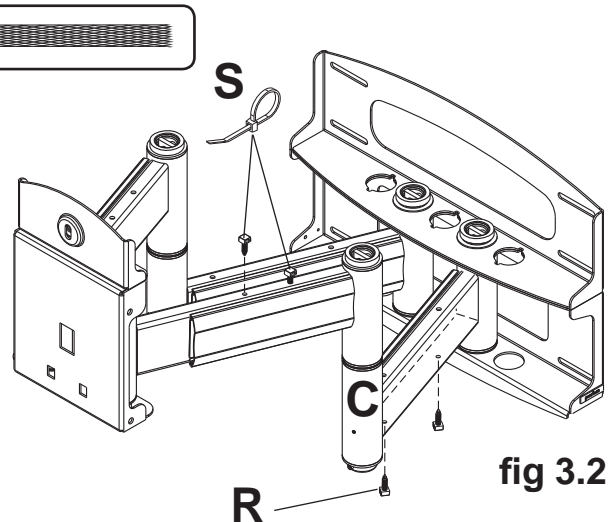
**3** **To route cables using cable management clips:** Snap eight cable management clips (R) into both swing arms (C) as shown in figure 3.2. Cable ties (S) are used with clips for cord management.

**3-1** Pull cords through cord management channels, leaving enough slack to allow full range of movement for swing arm assembly (C) as shown in figure 3.1.

**3-1** Slide one mesh sleeve (T) over each cable. Use cable ties (S) to tighten mesh sleeves to cables.



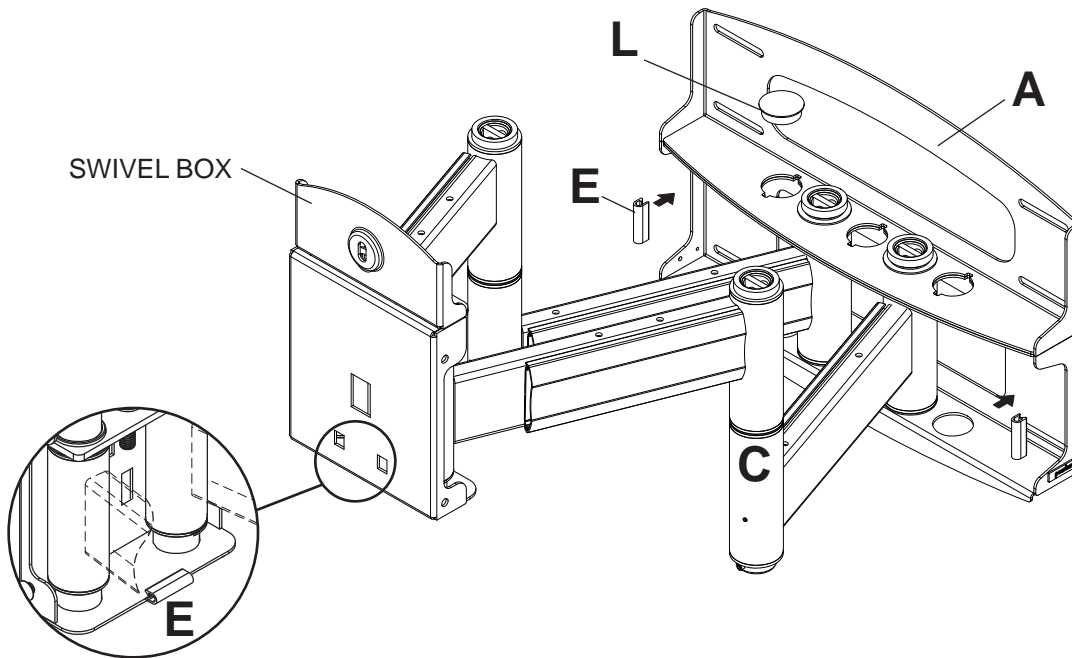
**fig 3.1**



**fig 3.2**

**4** Attach two pieces of vinyl trim (**E**) to wall plate (**A**). Next, attach one piece of vinyl trim to bottom of swivel box on arm assembly (**C**).

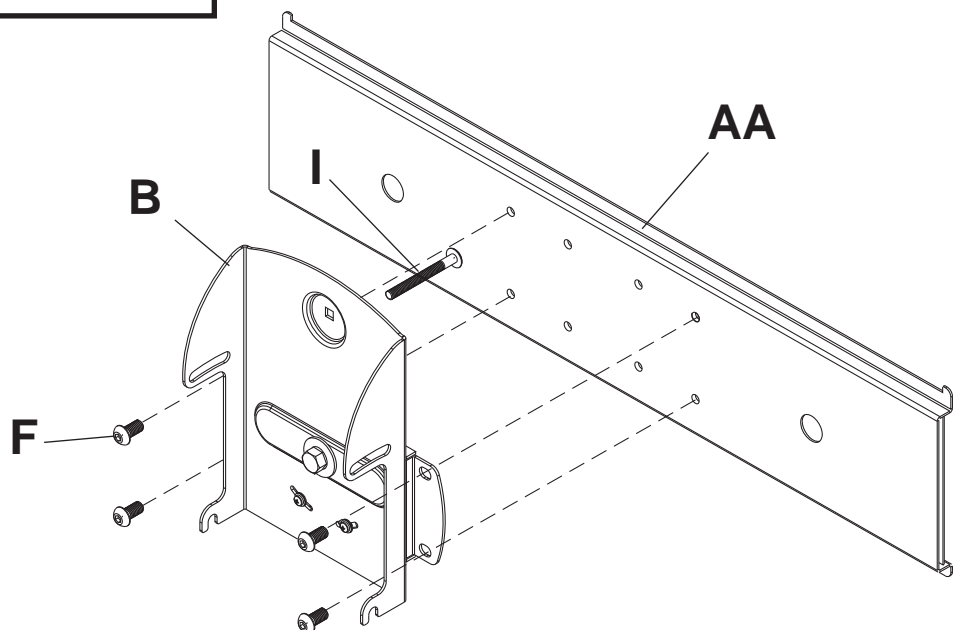
**4-1** Insert one finishing cap (**L**) into each unused hole of wall plate (**A**).



**5** Insert and tape carriage bolt (**I**) into top hole of tilt-roll assembly (**B**). Attach tilt-roll assembly to adapter bracket (**AA**) with four M10 socket screws (**F**). Tighten screws using 6 mm allen wrench (**U**).

## CAUTION

- Do not overtighten screws! Overtightening may hinder roll option.

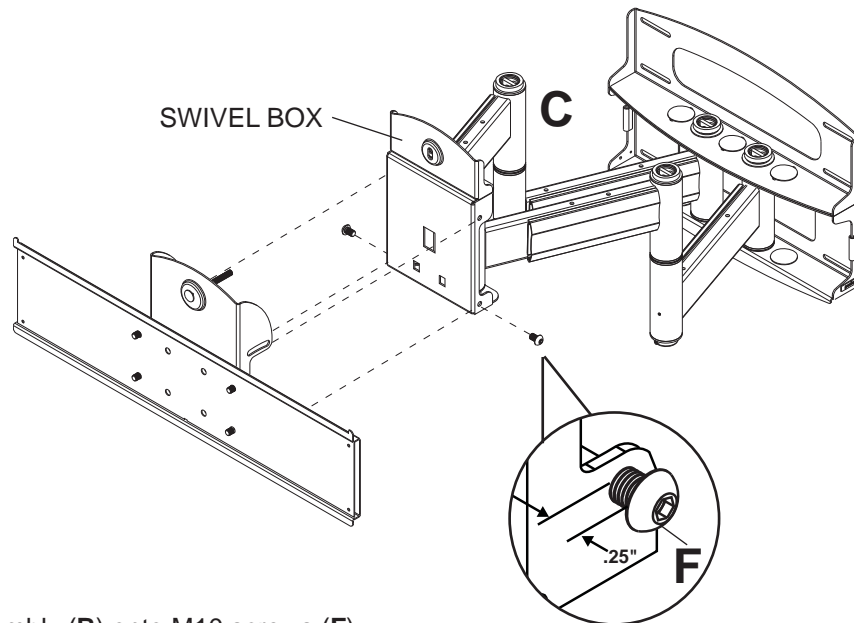




## ⚠ WARNING

- Use an assistant or mechanical lifting equipment to safely lift and position the plasma TV.

- 6 Insert two M10 screws (F) into swivel box on arm assembly (C) as shown. Leave approx. 1/4" of exposed thread.

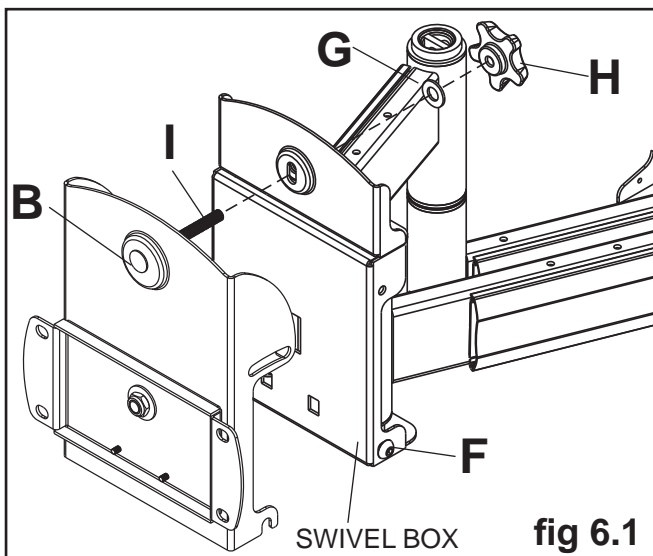


- 6-1 Hook tilt-roll assembly (B) onto M10 screws (F). Insert carriage bolt (I) into slot of swivel box as shown in figure 6.1. Install nylon washer (G) and tilt adjustment knob (H).

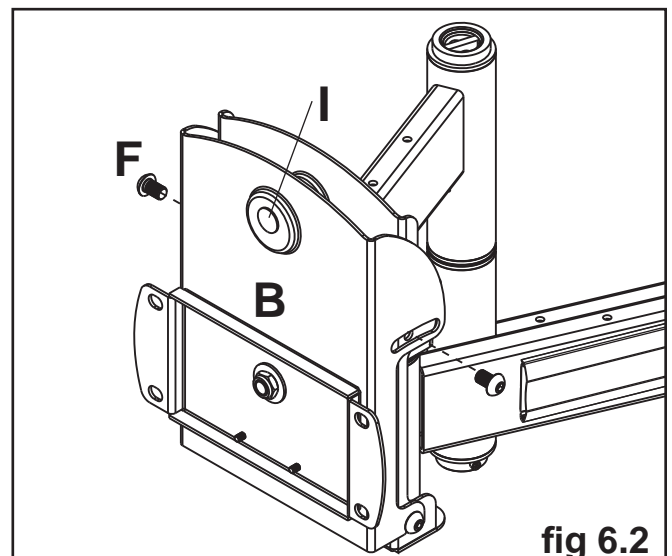
- 6-2 Install remaining two M10 screws (F) as shown in figure 6.2. **HAND TIGHTEN** all four M10 screws to allow for tilt adjustment. Remove tape from carriage bolt (I). For tilt adjustment, gently push back on the top of plasma to relieve pressure on knob. Adjust tilt to desired position and tighten tilt adjustment knob (H), then securely tighten all four M10 screws (F) using 6 mm allen wrench (U).

## CAUTION

- After tilt is adjusted, all fasteners must be tightened. Failure to do so will result in damage to the mount.



Adapter bracket not shown for clarity.



Adapter bracket not shown for clarity.

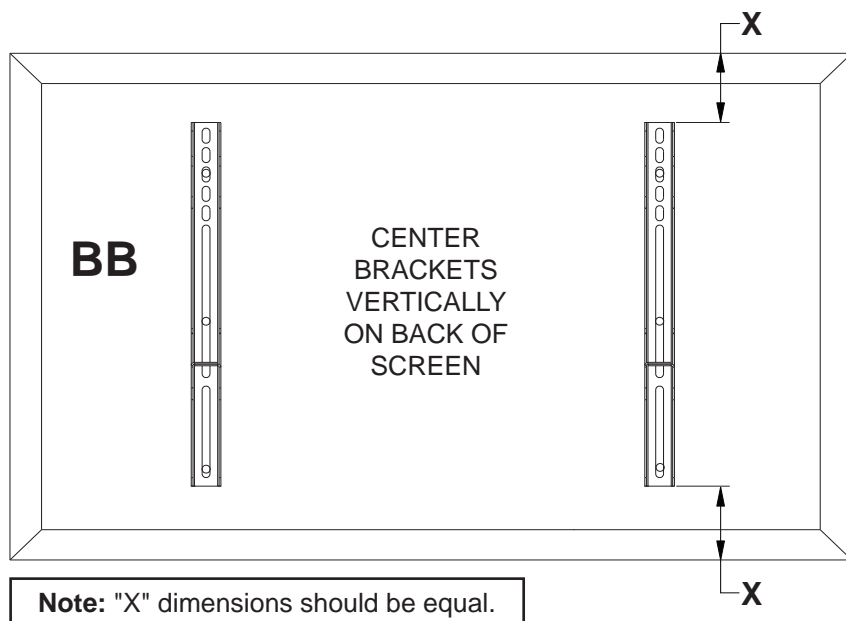
## Installing Adapter Brackets

### ⚠ WARNING

- Tighten screws so adapter brackets are firmly attached. Do not tighten with excessive force. Overtightening can cause stress damage to screws, greatly reducing their holding power and possibly causing screw heads to become detached. Tighten to 40 in. • lb (4.5 N.M.) maximum torque.
- If screws don't get three complete turns in the screen inserts or if screws bottom out and bracket is still not tightly secured, damage may occur to screen or product may fail.

**7** To prevent scratching the screen, set a cloth on a flat, level surface that will support the weight of the screen. Place screen face side down. Refer to screen manufacturers instructions or customer service, for removing any knobs, base, cover, or screw(s) on the back of the screen to prepare mounting. These need to be removed to allow the adapter brackets to be attached. Select the small, medium, large or extra large screws from the baffled fastener pack then attach adapter brackets (**BB**) to screen following figure 7.1 or 7.2.

**NOTE:** Top and bottom mounting holes on screen must be used for attaching brackets. Verify that all holes are properly aligned, and then tighten screws using a phillips screwdriver.



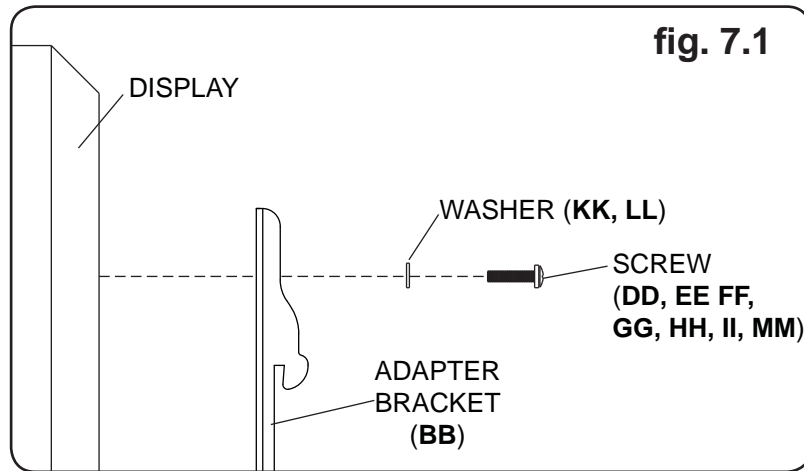
**NOTE:** For **flat back screens** proceed to step 7-1. For **bump-out or recessed back screen** skip to step 7-2.

## For Flat Back Display

7-1

Begin with the shortest length screw, hand thread through multi-washer and adapter bracket into display as shown below. Screw must make at least three full turns into the mounting hole and fit snug into place. Do not over tighten. If screw cannot make three full turns into the display, select a longer length screw from the baffled fastener pack. Repeat for remaining mounting holes, level brackets and tighten screws.

**NOTE:** Spacers may not be used, depending upon the type of display.



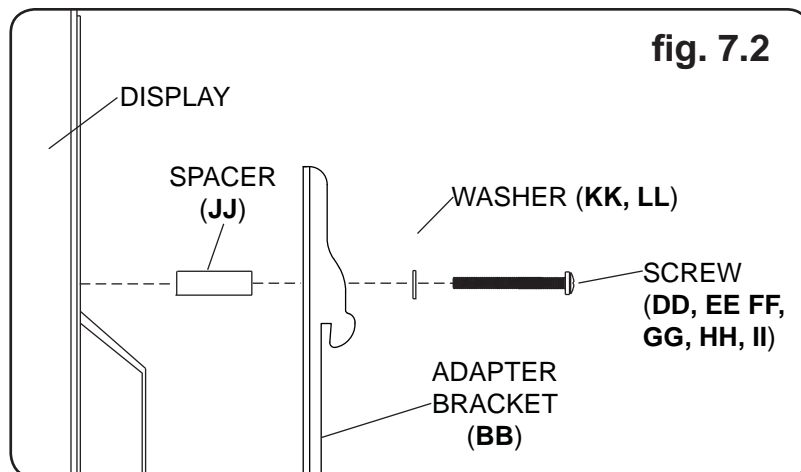
If you have any questions, please call Peerless customer care at 1-800-865-2112.

---

## For Bump-out or Recessed Back Display

7-2

Begin with longer length screw, hand thread through multi-washer, adapter bracket and spacer in that order into display as shown below. Screw must make at least three full turns into the mounting hole and fit snug into place. Do not over tighten. If screw cannot make three full turns into the display, select a longer length screw from the baffled fastener pack. Repeat for remaining mounting holes, level brackets and tighten screws.



If you have any questions, please call Peerless customer care at 1-800-865-2112.

## Mounting and Removing Flat Panel Screen

### ⚠ WARNING

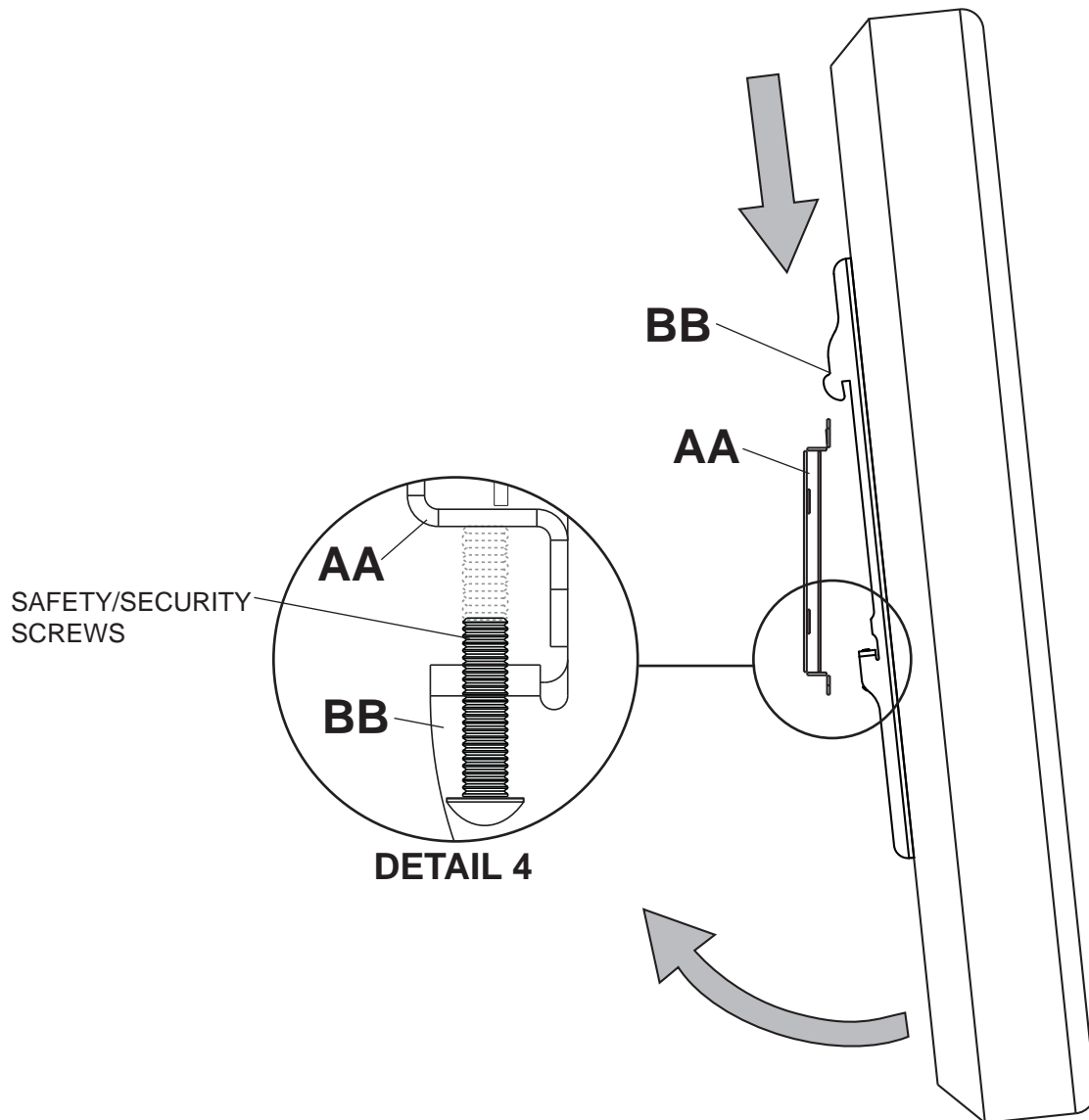
- Always use an assistant or mechanical lifting equipment to safely lift and position the plasma television.

8 Refer to mount instruction sheet for attachment of adapter bracket to mount.  
Hook adapter brackets (**BB**) onto adapter bracket (**AA**), then slowly swing screen in as shown. Turn screws clockwise at least six times to prevent screen from being removed as shown in detail 4. Tighten using allen wrench (**CC**).

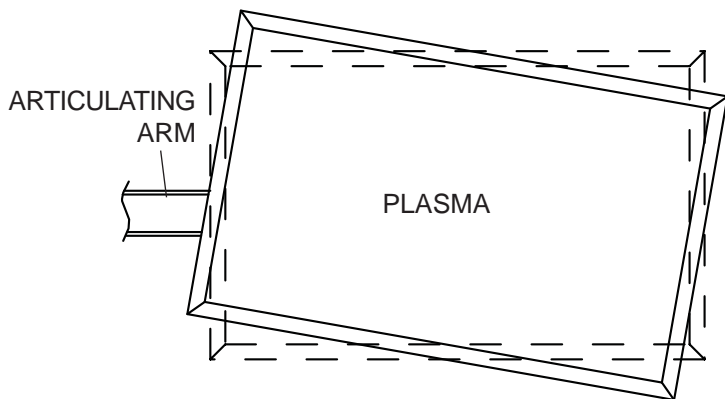
Screen can be adjusted horizontally if desired.

**Note:** To lock the screen down, tighten screws to adapter bracket as shown in detail 4.

To remove screen from mount, loosen screws, swing screen away from mount, and lift screen off of mount.



9 Depending on the specific size & weight of the plasma, articulating swing arm may be angled at different positions, causing plasma to appear to lean sideways at different articulating positions. Tilt-roll assembly (B) allows plasma to be manually adjusted, so plasma can be horizontal at all positions. To adjust, gently rotate plasma by hand to desired position.



9-1 If it is too difficult to adjust roll of plasma, loosen screws shown in figure 9.1 using a phillips screwdriver.

**IMPORTANT!** Do not loosen or tighten screws more than 1/8 turn.

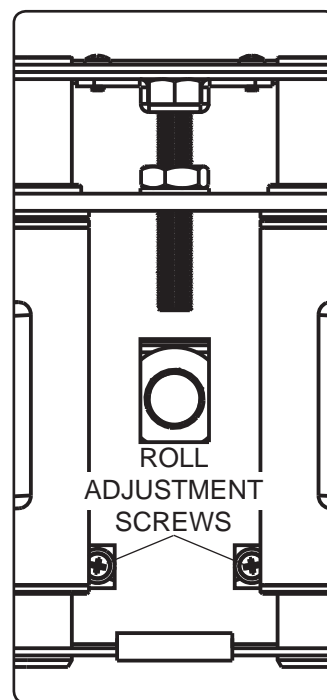


fig 9.1

10 Position of screen may be adjusted vertically up to .79" in each direction by doing the following:

- To raise screen, turn hex nut shown in figure 10.1 clockwise with 3/4" open-end wrench (not provided).
- To lower screen, turn hex nut shown in figure 10.1 counterclockwise with 3/4" open-end wrench (not provided).

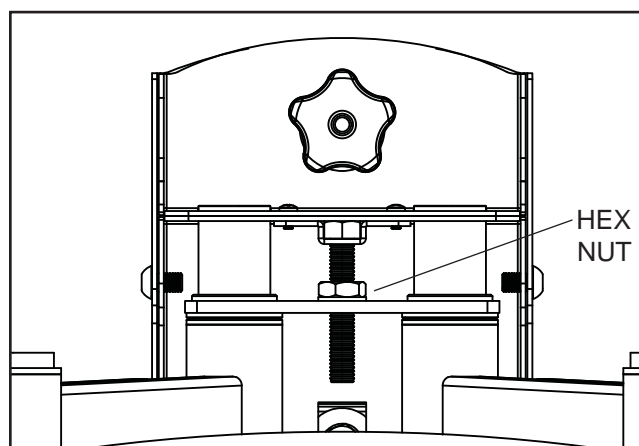


fig 10.1

# LIMITED FIVE-YEAR WARRANTY

Peerless Industries, Inc. ("Peerless") warrants to original end-users of Peerless® products will be free from defects in material and workmanship, under normal use, for a period of five years from the date of purchase by the original end-user (but in no case longer than six years after the date of the product's manufacture). At its option, Peerless will repair or replace, or refund the purchase price of, any product which fails to conform with this warranty.

**In no event shall the duration of any implied warranty of merchantability or fitness for a particular purpose be longer than the period of the applicable express warranty set forth above.** Some states do not allow limitations on how long an implied warranty lasts, so the above limitation may not apply to you.

This warranty does not cover damage caused by (a) service or repairs by the customer or a person who is not authorized for such service or repairs by Peerless, (b) the failure to utilize proper packing when returning the product, (c) incorrect installation or the failure to follow Peerless' instructions or warnings when installing, using or storing the product, or (d) misuse or accident, in transit or otherwise, including in cases of third party actions and force majeure.

**In no event shall Peerless be liable for incidental or consequential damages or damages arising from the theft of any product, whether or not secured by a security device which may be included with the Peerless® product.** Some states do not allow the exclusion or limitation of incidental or consequential damages, so the above limitation or exclusion may not apply to you.

This warranty is in lieu of all other warranties, expressed or implied, and is the sole remedy with respect to product defects. No dealer, distributor, installer or other person is authorized to modify or extend this Limited Warranty or impose any obligation on Peerless in connection with the sale of any Peerless® product.

This warranty gives specific legal rights, and you may also have other rights which vary from state to state.



[www.peerless-av.com](http://www.peerless-av.com)

© 2016 Peerless Industries, Inc.

Patented. Utility Patent No. 7,487,943; 8,348,212; 8,517,322.