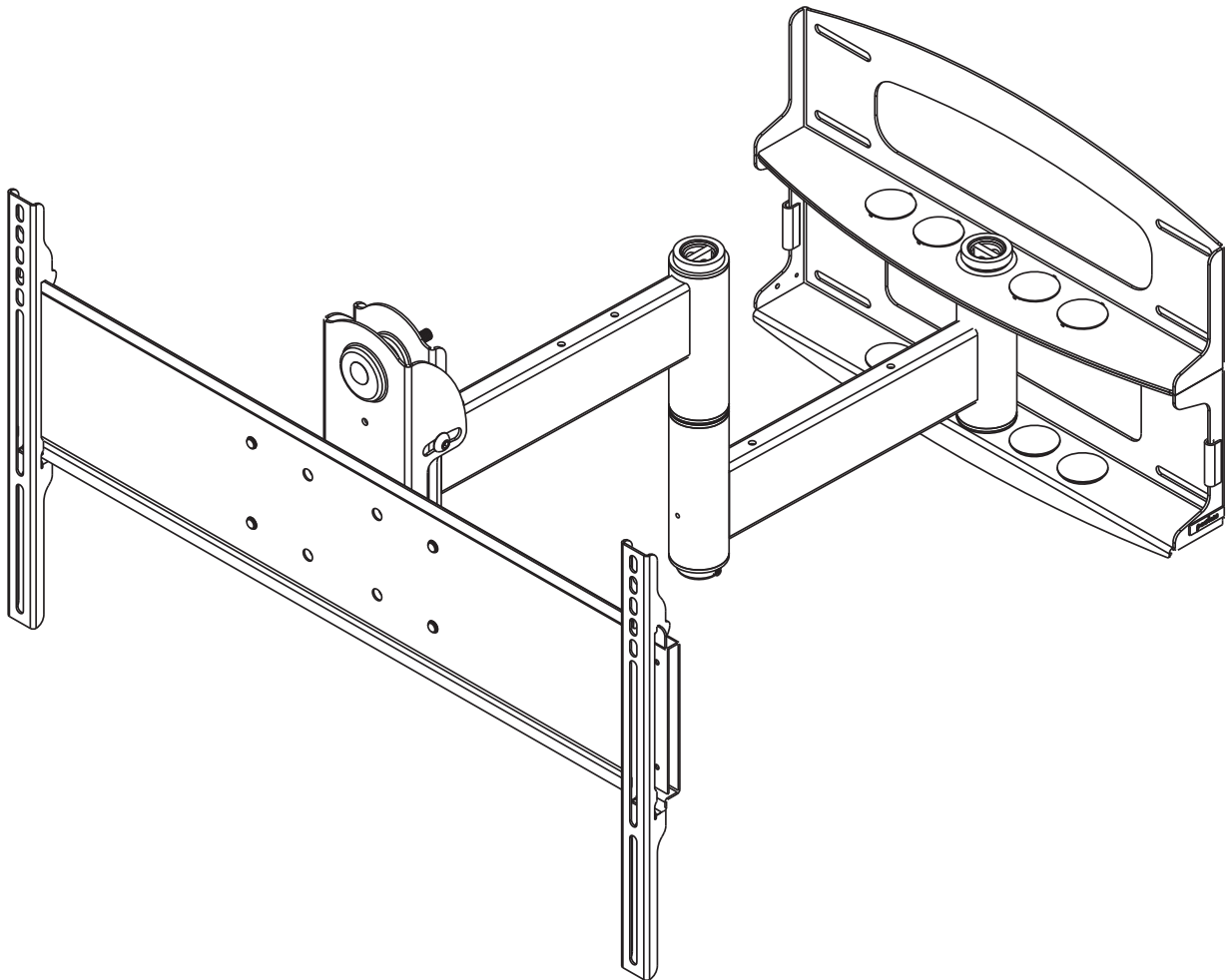




Installation and Assembly: Universal Articulating Swivel Arm for 37" - 95" Flat Panel Displays

Models: PLA60-UNL, PLA60-UNLP-S, PLA60-UNLP, PLAV60-UNL-S, PLAV60-UNL,
PLAV60-UNLP-S, PLAV60-UNLP, PLA60-UNLP-GS, PLA60-UNLP-GB,
PLAV60-UNLP-GB



Max UL Load Capacity:
175 lb (79 kg)

Note: Read entire instruction sheet before you start installation and assembly.

⚠ WARNING

- Do not begin to install your Peerless product until you have read and understood the instructions and warnings contained in this Installation Sheet. If you have any questions regarding any of the instructions or warnings, for US customers please call Peerless customer care at 1-800-865-2112, for all international customers, please contact your local distributor.
- This product should only be installed by someone of good mechanical aptitude, has experience with basic building construction, and fully understands these instructions.
- Make sure that the supporting surface will safely support the combined load of the equipment and all attached hardware and components.
- Never exceed the Maximum Load Capacity. See page one.
- If mounting to wood wall studs, make sure that mounting screws are anchored into the center of the studs. Use of an "edge to edge" stud finder is highly recommended.
- Always use an assistant or mechanical lifting equipment to safely lift and position equipment.
- Tighten screws firmly, but do not overtighten. Overtightening can damage the items, greatly reducing their holding power.
- This product is intended for indoor use only. Use of this product outdoors could lead to product failure and personal injury.
- This product was designed to be installed on the following wall construction only;

WALL CONSTRUCTION

- Wood Stud
- Wood Beam
- Solid Concrete
- Cinder Block
- Metal Stud

- Brick
- Other or unsure?

HARDWARE REQUIRED

- Included
- Included
- Included
- Included
- Do not attach except with Peerless Metal Stud Accessory Kit (not evaluated by UL)
- Contact Qualified Professional (not evaluated by UL)
- Contact Qualified Professional

Tools Needed for Assembly

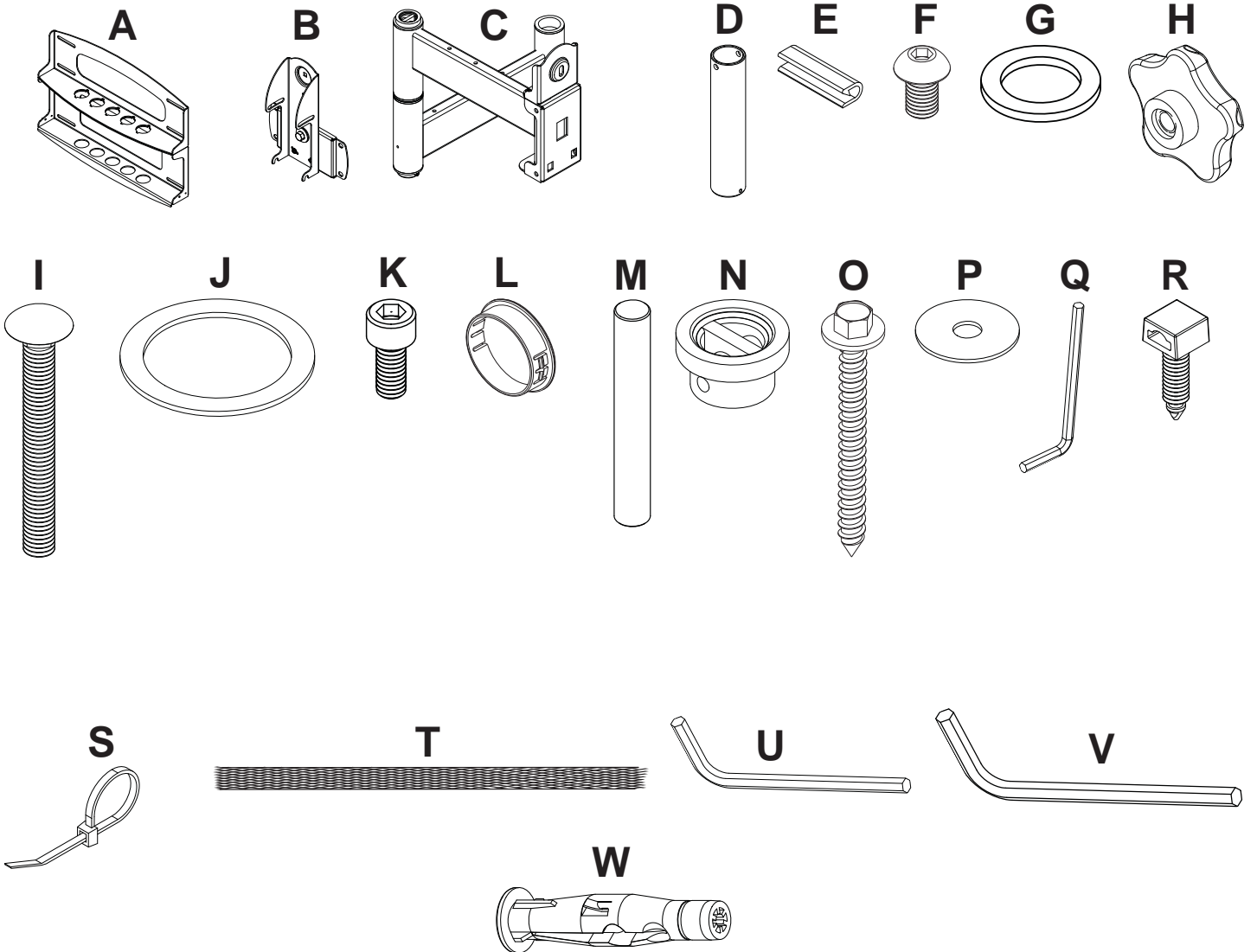
- stud finder ("edge to edge" stud finder is recommended)
- drill
- 3/16" (5mm) drill bit for wood studs
- 3/8" (10mm) masonry drill bit for concrete
- 7/16" socket wrench with extension (recommended)
- level
- phillips screwdriver

Accessories

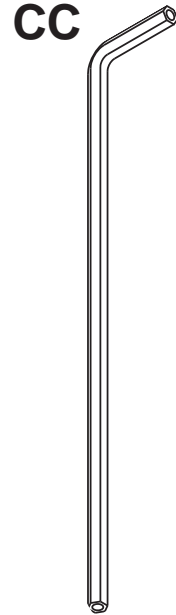
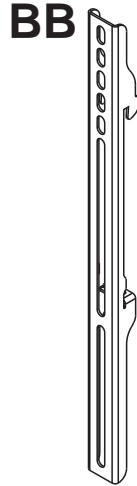
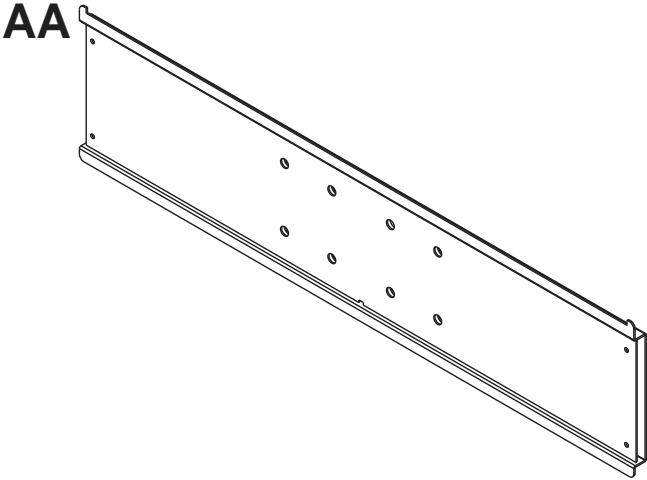
- External Wall Plate (WSP716, WSP716-S, WSP724, WSP724-S) (Metal Stud not evaluated by UL)

Parts List

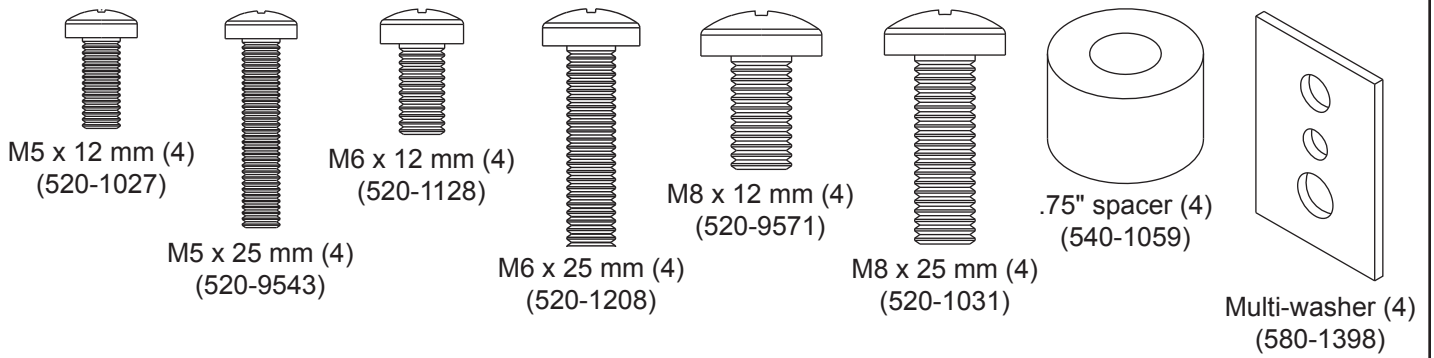
| Description | Qty | PLA60-UNL | | | PLAV60-UNL | PLAV60-UNL-S | | |
|--|-----|----------------------|----------------------|-------------------|---------------------|--------------------|----------------------|-----------------------|
| | | PLA60-UNLP-GB Part # | PLA60-UNLP-GS Part # | PLA60-UNLP Part # | PLA60-UNLP-S Part # | PLAV60-UNLP Part # | PLAV60-UNLP-S Part # | PLAV60-UNLP-GB Part # |
| A wall plate | 1 | 201-P1040 | 201-C4040 | 201-1040 | 201-4040 | 201-1040 | 201-1040 | 201-1040 |
| B tilt-roll assembly | 1 | 201-P1093 | 201-C4093 | 201-1093 | 201-4093 | 201-1048 | 201-1048 | 201-1048 |
| C arm assembly | 1 | 201-P1072 | 201-C4072 | 201-1072 | 201-4072 | 201-1049 | 201-1049 | 201-1049 |
| D wall support arm axle | 1 | 201-1041 | 201-1041 | 201-1041 | 201-1041 | 201-1041 | 201-1041 | 201-1041 |
| E vinyl trim | 3 | 600-1012 | 600-1012 | 600-1012 | 600-1012 | 600-1012 | 600-1012 | 600-1012 |
| F M10 x 15 mm screw bolt | 8 | 520-9262 | 520-9262 | 520-9262 | 520-9262 | 520-9262 | 520-9262 | 520-9262 |
| G .505 x .75 x .062" nylon washer | 1 | 540-1074 | 540-1074 | 540-1074 | 540-1074 | 540-1074 | 540-1074 | 540-1074 |
| H tilt adjustment knob | 1 | 560-0108 | 560-0108 | 560-0108 | 560-0108 | 560-0108 | 560-0108 | 560-0108 |
| I carriage bolt 3/8"-16 x 3.25" | 1 | 520-1315 | 520-1315 | 520-1315 | 520-1315 | 520-1315 | 520-1315 | 520-1315 |
| J 1.525 x 2 x .062" delrin washer | 2 | 540-1070 | 540-1070 | 540-1070 | 540-1070 | 540-1070 | 540-1070 | 540-1070 |
| K #8-32 x .375" socket head screw | 1 | 520-1210 | 520-1210 | 520-1210 | 520-1210 | 520-1210 | 520-1210 | 520-1210 |
| L plastic finishing cap | 8 | 590-1123 | 590-1123 | 590-1123 | 590-1123 | 590-1123 | 590-1123 | 590-1123 |
| M holding pin | 1 | 580-1166 | 580-1166 | 580-1166 | 580-1166 | 580-1166 | 580-1166 | 580-1166 |
| N retainer plug | 1 | 590-1007 | 590-1007 | 590-1007 | 590-1007 | 590-1007 | 590-1007 | 590-1007 |
| O 5/16 x 3" wood screw | 8 | 520-1243 | 520-1243 | 520-1243 | 520-1243 | 520-1243 | 520-1243 | 520-1243 |
| P .250 x 1 x .068" washer | 8 | 540-1063 | 540-1063 | 540-1063 | 540-1063 | 540-1063 | 540-1063 | 540-1063 |
| Q 9/64" allen wrench | 1 | 560-9728 | 560-9728 | 560-9728 | 560-9728 | 560-9728 | 560-9728 | 560-9728 |
| R cable management clips | 4 | 590-1166 | 590-1166 | 590-1166 | 590-1166 | 590-1166 | 590-1166 | 590-1166 |
| S cable tie | 4 | 590-1168 | 590-1168 | 590-1168 | 590-1168 | 590-1168 | 590-1168 | 590-1168 |
| T 36" polyester mesh sleeve | 1 | 600-1015 | 600-1015 | 600-1015 | 600-1015 | 600-1015 | 600-1015 | 600-1015 |
| U 6 mm allen wrench | 1 | 560-9716 | 560-9716 | 560-9716 | 560-9716 | 560-9716 | 560-9716 | 560-9716 |
| V 10 mm allen wrench | 1 | - | - | - | - | 560-9727 | 560-9727 | 560-9727 |
| W anchor | 8 | 590-0321 | 590-0321 | 590-0321 | 590-0321 | 590-0321 | 590-0321 | 590-0321 |



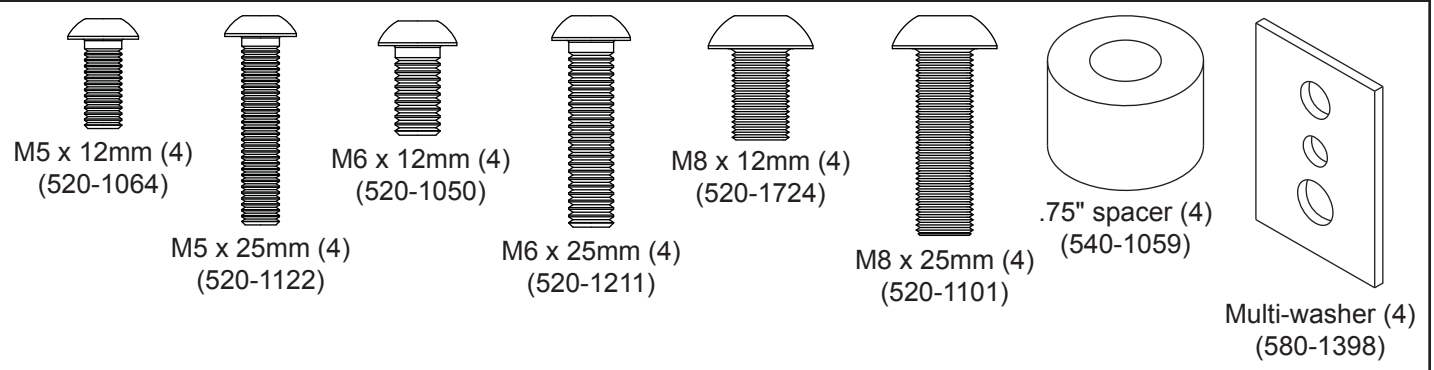
| Parts List Description | Qty | PLA60-UNL | PLA60-UNLP | PLA60-UNLP-S | PLA60-UNLP-S | PLA60-UNLP-S | PLA60-UNLP-S |
|----------------------------|-----|----------------------|------------------------|-----------------------|-------------------------|-------------------------|-------------------------|
| | | PLAV60-UNL Part # | PLAV60-UNL-S Part # | PLAV60-UNLP Part # | PLAV60-UNLP-S Part # | PLAV60-UNLP-S Part # | PLAV60-UNLP-S Part # |
| AA adapter bracket | 1 | 201-1110 | 201-4110 | 201-1110 | 201-4110 | 201-4110 | 201-C4110 |
| BB shallow adapter bracket | 2 | 202-1655 | 202-4655 | 202-1656 | 202-4656 | 202-4656 | 202-C4656 |
| CC allen wrench | 1 | 560-9646 | 560-9646 | 560-9646 | 560-9646 | 560-9646 | 560-9646 |



Phillips Adapter Bracket Fasteners



Security Adapter Bracket Fasteners



Installation to Wood Stud Wall

⚠ WARNING

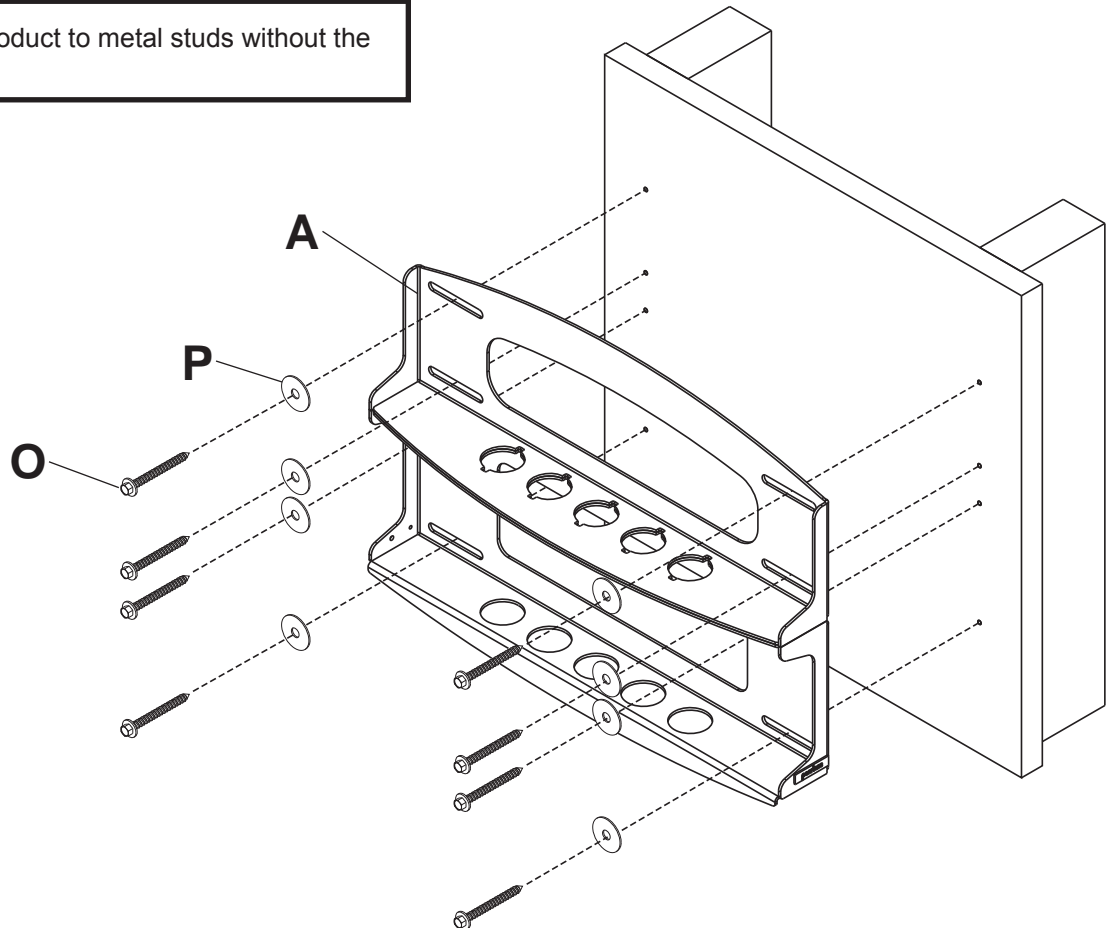
- Installer must verify that the supporting surface will safely support the combined load of the equipment and all attached hardware and components.
- Tighten wood screws so that wall plate is firmly attached, but do not overtighten. Overtightening can damage the screws, greatly reducing their holding power.
- Never tighten in excess of 80 in. • lb (9 N.M.).
- Make sure that mounting screws are anchored into the center of the stud. The use of an "edge to edge" stud finder is highly recommended.
- Hardware provided is for attachment of mount through standard thickness drywall or plaster into wood studs. Installers are responsible to provide hardware for other types of mounting situations (not evaluated by UL).

- 1 Wall plate (**A**) can be mounted to two studs that are 16" apart. Use a stud finder to locate the edges of the studs. Use of an edge-to-edge stud finder is highly recommended. Based on their edges, draw a vertical line down each stud's center. Place wall plate on wall as a template. The top mounting slots should be located at your desired display center. Level plate, and mark the center of the eight mounting holes. Make sure that the mounting holes are on the stud centerlines. Drill eight 3/16" (5mm) dia. holes 3" (76mm) deep. Make sure that the wall plate is level, secure it using eight 5/16 x 3" wood screws (**O**) and washers (**P**).

Skip to step 2

⚠ WARNING

- Never mount this product to metal studs without the required accessory.

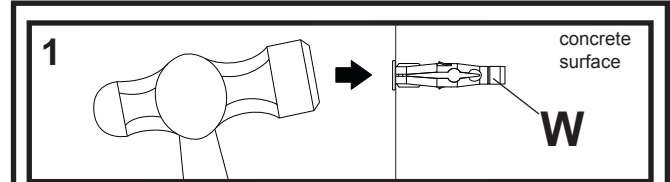


Installation to Solid Concrete or Cinder Block Wall

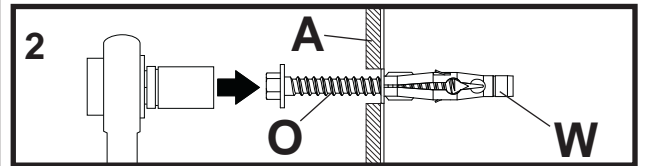
⚠ WARNING

- When installing Peerless wall mounts on cinder block, verify that you have a minimum of 1-3/8" (35mm) of actual concrete thickness in the hole to be used for the concrete anchors. Do not drill into mortar joints! Be sure to mount in a solid part of the block, generally 1" (25mm) minimum from the side of the block. Cinder block must meet ASTM C-90 specifications. It is suggested that a standard electric drill on slow setting is used to drill the hole instead of a hammer drill to avoid breaking out the back of the hole when entering a void or cavity.
- Concrete must be 2000 psi density minimum. Lighter density concrete may not hold concrete anchor.
- Make sure that the supporting surface will safely support the combined load of the equipment and all attached hardware and components.

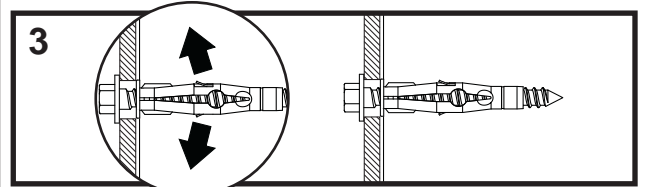
- 1** Use wall plate (A), making sure that it is level, as a template to mark holes. The top mounting slots should be located at your desired display center. Use the masonry bit to drill 3/8" (10mm) dia. holes to a minimum depth of 3" (76mm). Insert anchors (W) in holes flush with wall as shown (right). Place wall plate (A) over anchors (W) and secure with 5/16 x 3" wood screws (O) and washers (P).



Drill holes and insert anchors (W).



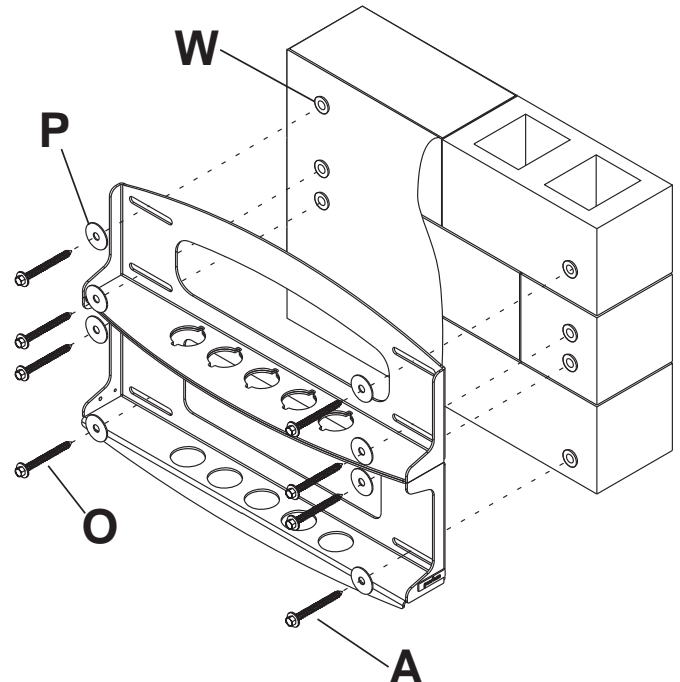
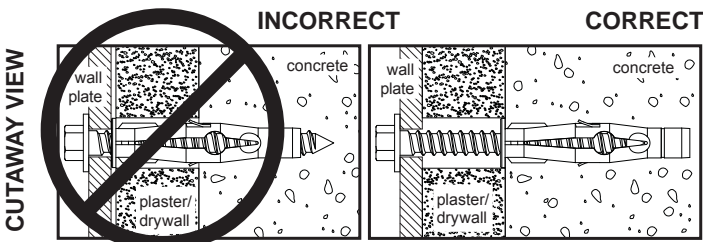
Place plate (A) over anchors (W) and secure with screws (O).



Tighten all fasteners.

⚠ WARNING

- Tighten screws so that wall plate is firmly attached, but do not overtighten. Overtightening can damage screws, greatly reducing their holding power.
- Never tighten in excess of 80 in. • lb (9 N.M.).
- Always attach concrete expansion anchors directly to load-bearing concrete.
- Never attach concrete expansion anchors to concrete covered with plaster, drywall, or other finishing material. If mounting to concrete surfaces covered with a finishing surface is unavoidable (not evaluated by UL), the finishing surface must be counterbored as shown below. Be sure concrete anchors do not pull away from concrete when tightening screws. If plaster/drywall is thicker than 5/8" (16mm), custom fasteners must be supplied by installer (not evaluated by UL).



⚠ WARNING

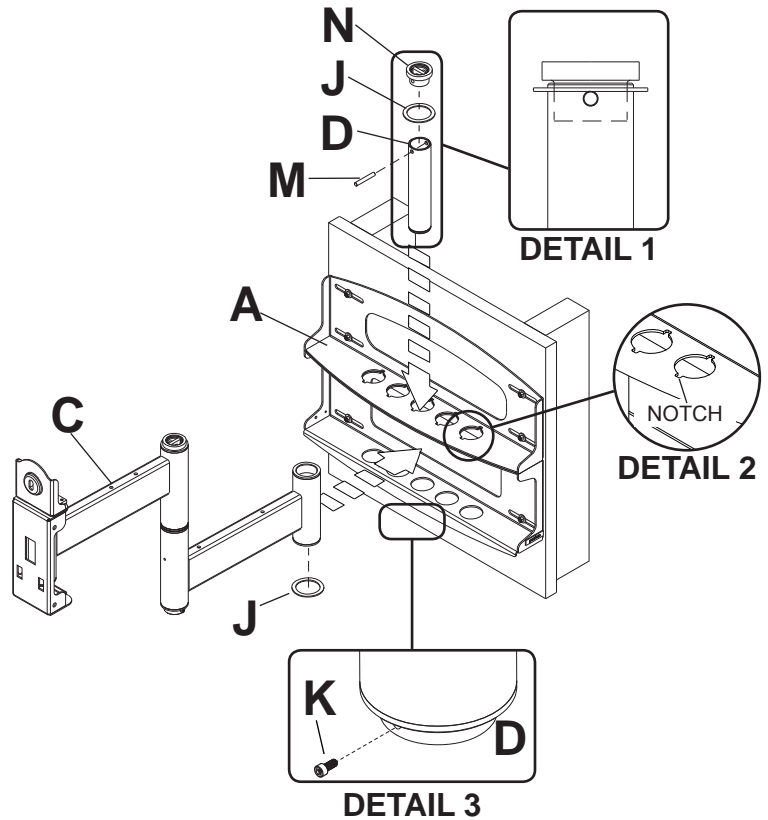
- If you are uncertain that product is properly installed, call customer care.

2 **Note:** There are five mounting positions. The center position is shown (right). Slide washer (J) over wall support arm axle (D). Next, insert plastic cap (N) into axle. Then, insert holding pin (M) into axle. See detail 1.

2-1 Place arm assembly (C) with washer (J) into wall plate (A). Insert axle assembly shown in detail 1 through wall plate (A), arm assembly (C), and washer (J). Lock axle in place by aligning holding pin (M) with notches shown in detail 2.

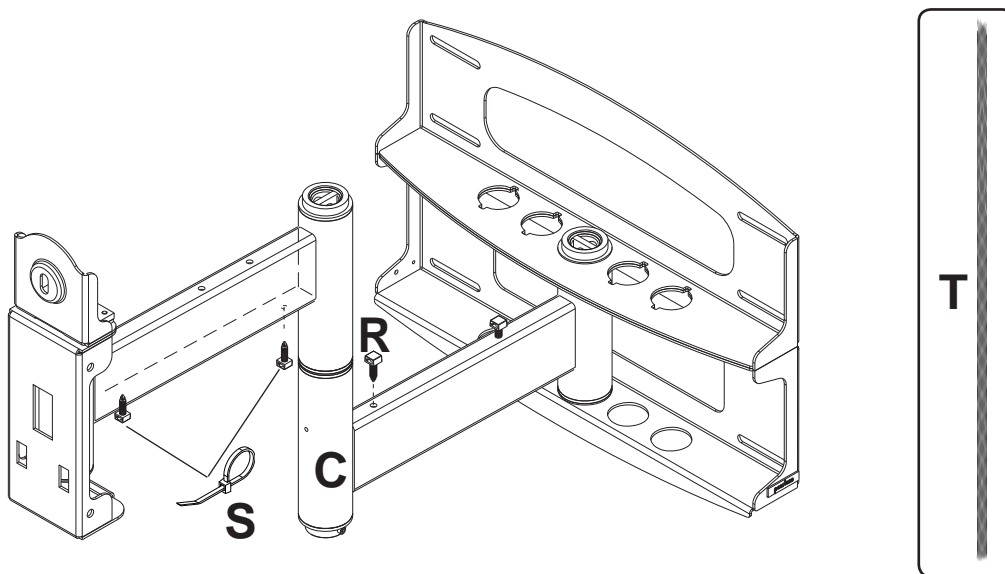
2-2 Insert socket cap screw (K) into hole at bottom of wall support arm axle (D) as shown in detail 3. Tighten screw using 9/64" allen wrench (Q).

Note: Fit of axle (D) into wall plate (A) and arm assembly (C) will be tight. Gently tap into place with a hammer if necessary.



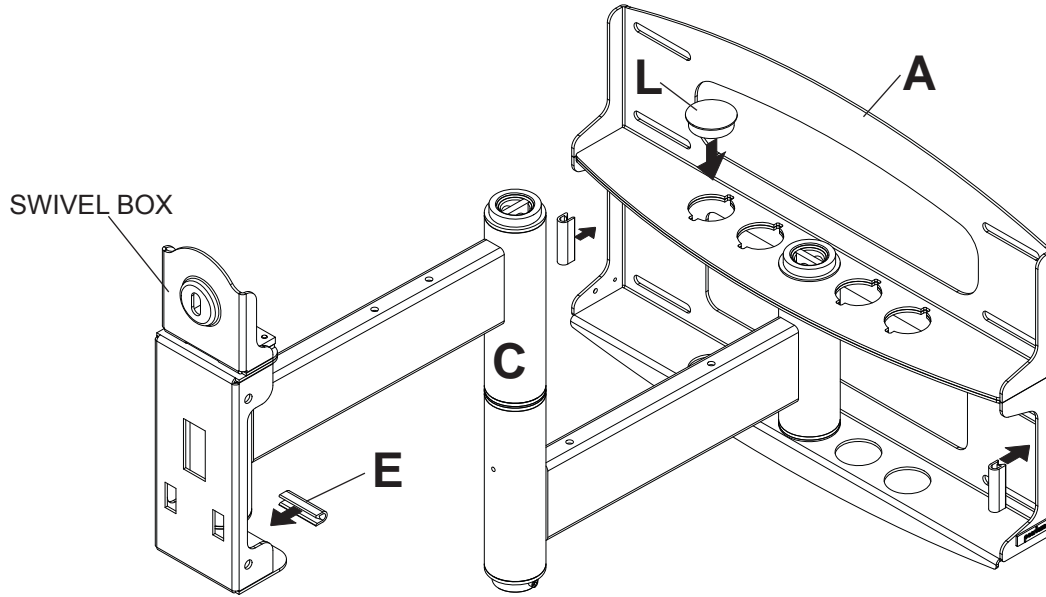
3 Snap four cable management clips (R) into top or bottom of arm assembly (C) as shown. Cable ties (S) are used with clips for cord management.

3-1 Slide one mesh sleeve (T) over each cable. Use cable ties (S) to tighten mesh sleeves to cables.



4 Attach two pieces of vinyl trim (E) to wall plate (A). Next, attach one piece of vinyl trim to bottom of swivel box on arm assembly (C).

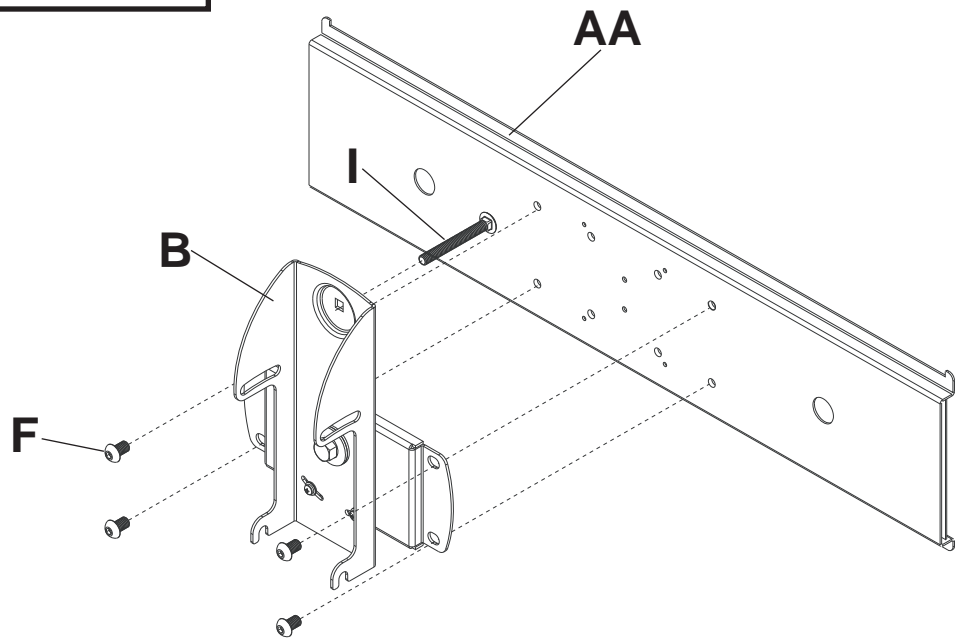
4-1 Insert one finishing cap (L) into each unused hole of wall plate (A).



5 Insert and tape carriage bolt (I) into top hole of pitch-roll assembly (B). Attach tilt-roll assembly to adapter bracket (AA) with four M10 socket screws (F). Tighten screws using 6mm allen wrench (U).

CAUTION

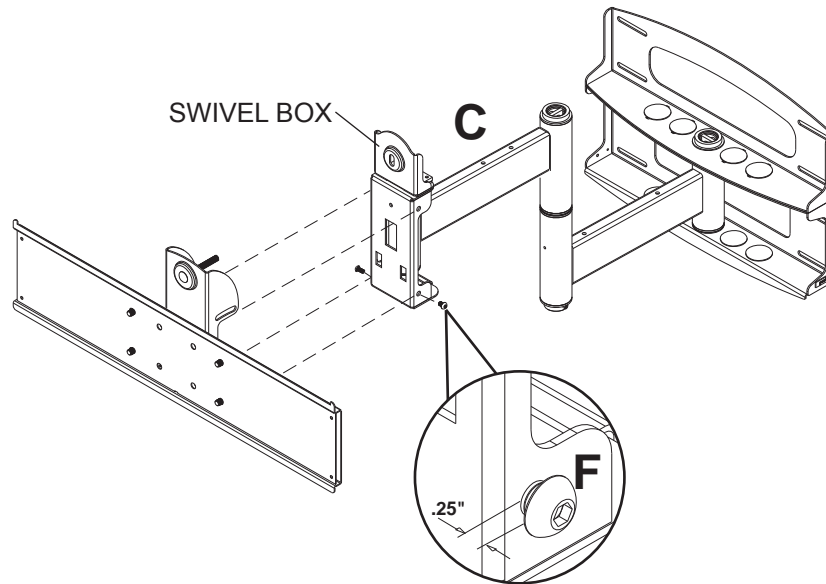
- Do not overtighten screws! Overtightening may hinder roll option.



⚠ WARNING

- Use an assistant or mechanical lifting equipment to safely lift and position the plasma TV.

6 Insert two M10 screws (**F**) into swivel box on arm assembly (**C**) as shown. Leave approx. .25" of exposed thread.

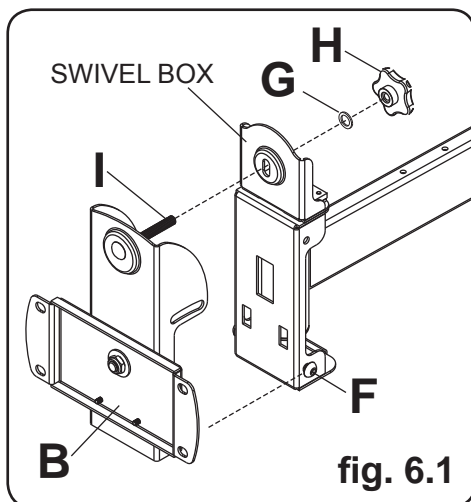


6-1 Hook tilt-roll assembly (**B**) onto M10 screws (**F**). Insert carriage bolt (**I**) into slot of swivel box as shown in figure 6.1. Install nylon washer (**G**) and tilt adjustment knob (**H**).

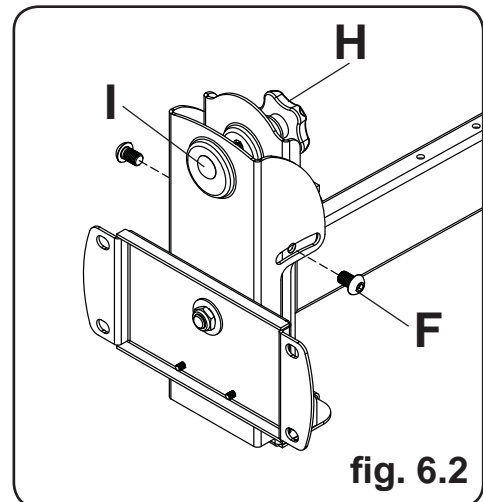
6-2 Install remaining two M10 screws (**F**) as shown in figure 6.2. **HAND TIGHTEN** all four M10 screws to allow for tilt adjustment. Remove tape from carriage bolt (**I**). For tilt adjustment, push back on the top of plasma to relieve pressure on knob. Adjust tilt to desired position and tighten tilt adjustment knob (**H**), then securely tighten all four M10 screws (**F**) using 6mm allen wrench (**U**).

CAUTION

- After tilt is adjusted, all fasteners must be tightened. Failure to do so will result in damage to the mount.



Adapter bracket not shown for clarity.



Adapter bracket not shown for clarity.

Installing Adapter Brackets

⚠ WARNING

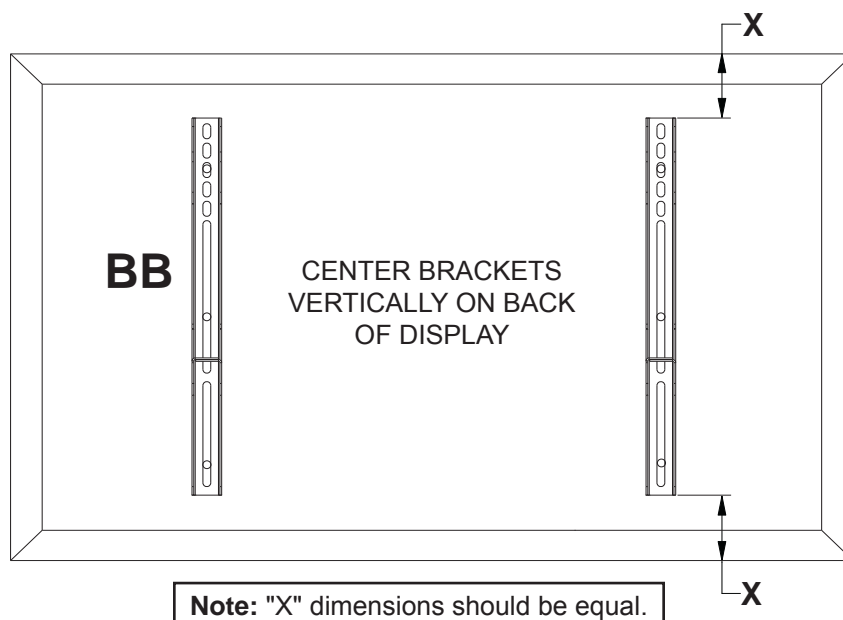
- Tighten screws so adapter brackets are firmly attached. Do not tighten with excessive force. Overtightening can cause stress damage to screws, greatly reducing their holding power and possibly causing screw heads to become detached. Tighten to 40 in. • lb (4.5 N.M.) maximum torque.
- If screws don't get three complete turns in the display inserts or if screws bottom out and bracket is still not tightly secured, damage may occur to display or product may fail.

7 To prevent scratching the display, set a cloth on a flat, level surface that will support the weight of the display. Place display face side down. If display has knobs on the back, remove them to allow the adapter brackets to be attached. Place adapter brackets (**BB**) on back of display, align to holes, and center on back of display as shown below. Attach the adapter brackets to the back of the display using the appropriate combination of screws, multi-washers, and spacers as shown in figure 7.1 and figure 7.2.

NOTE: Top and bottom holes on display must always be used.

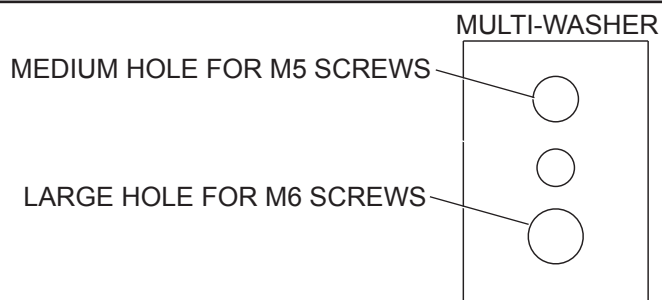
Verify that all holes are properly aligned, and then tighten screws using a phillips screwdriver.

NOTE: If using security screws, tighten using security allen wrench (**CC**).



Notes:

- The number of fasteners used will vary, depending upon the type of display.
- Multi-washers and spacers may not be used, depending upon the type of display.
- Use the corresponding hole in the multi-washer that matches your screw size as shown.



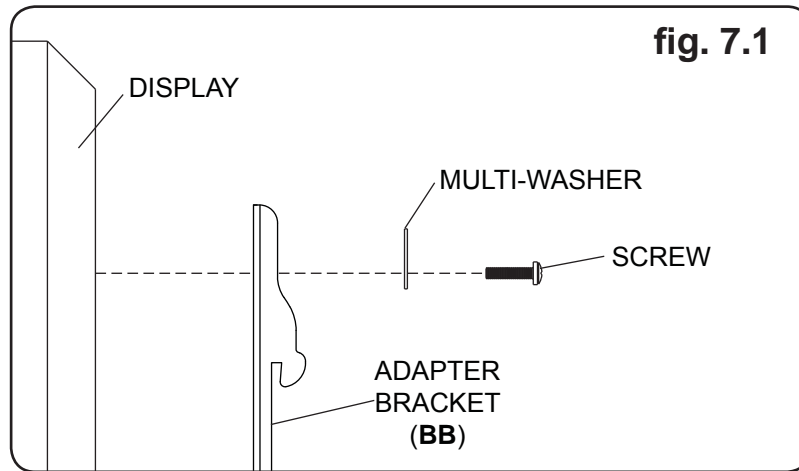
NOTE: For **flat back displays** proceed to step 7-1. For **bump-out or recessed back display** skip to step 7-2

For Flat Back Display

7-1

Begin with the shortest length screw, hand thread through multi-washer and adapter bracket into display as shown below. Screw must make at least three full turns into the mounting hole and fit snug into place. Do not over tighten. If screw cannot make three full turns into the display, select a longer length screw from the baffled fastener pack. Repeat for remaining mounting holes, level brackets and tighten screws.

NOTE: Spacers may not be used, depending upon the type of display.

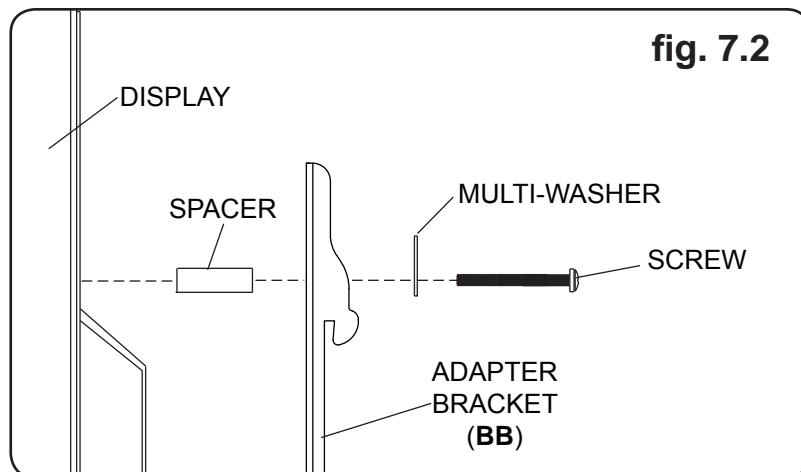


If you have any questions, please call Peerless customer care at **1-800-865-2112**.

For Bump-out or Recessed Back Display

7-2

Begin with longer length screw, hand thread through multi-washer, adapter bracket and spacer in that order into display as shown below. Screw must make at least three full turns into the mounting hole and fit snug into place. Do not over tighten. If screw cannot make three full turns into the display, select a longer length screw from the baffled fastener pack. Repeat for remaining mounting holes, level brackets and tighten screws.



If you have any questions, please call Peerless customer care at **1-800-865-2112**.

Mounting and Removing Flat Panel Display

⚠ WARNING

- Always use an assistant or mechanical lifting equipment to safely lift and position the plasma television.

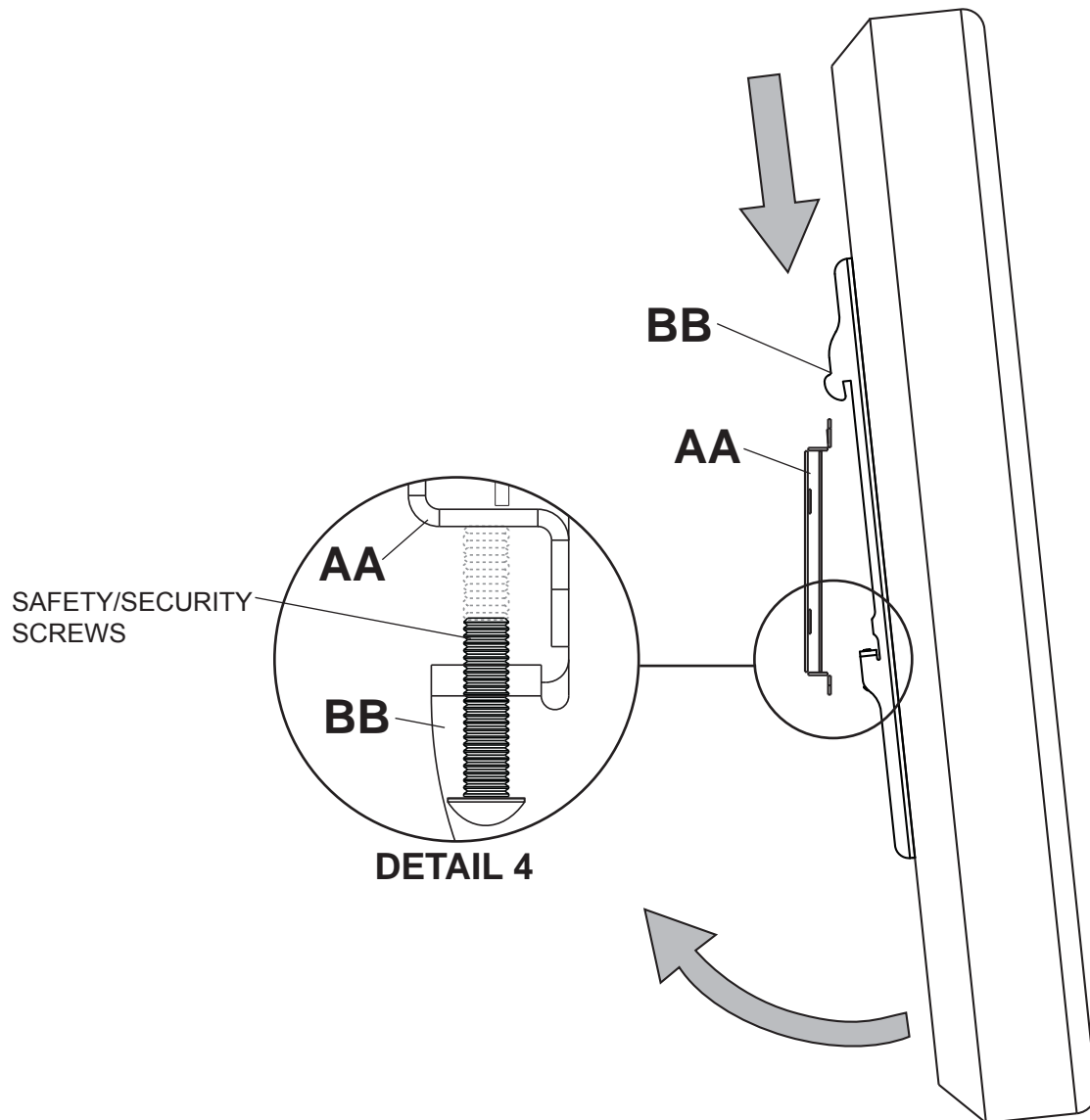
Refer to mount instruction sheet for attachment of adapter bracket to mount.

- 8 Hook adapter brackets (**BB**) onto adapter bracket (**AA**), then slowly swing display in as shown. Turn screws clockwise at least six times to prevent display from being removed as shown in detail 4. Tighten using allen wrench (**CC**).

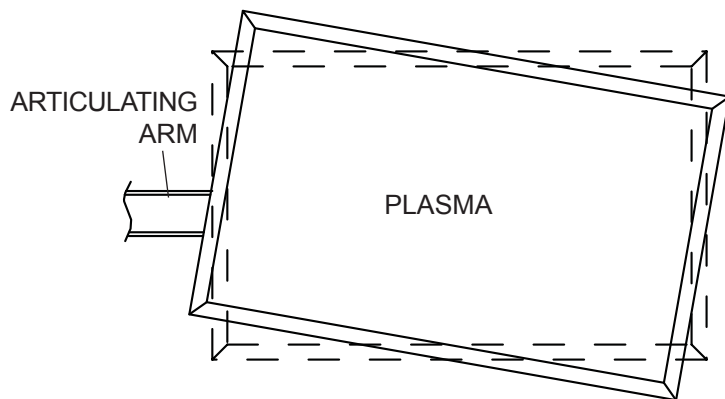
Display can be adjusted horizontally if desired.

Note: To lock the display down, tighten screws to adapter bracket as shown in detail 4.

To remove display from mount, loosen screws, swing display away from mount, and lift display off of mount.



9 Depending on the specific size & weight of the plasma, articulating swing arm may be angled at different positions, causing plasma to appear to lean sideways at different articulating positions. Tilt-roll assembly (B) allows plasma to be manually adjusted, so plasma can be horizontal at all positions. To adjust, gently rotate plasma by hand to desired position.



9-1 If it is too difficult to adjust roll of plasma, loosen screws shown in figure 9.1 using a phillips screwdriver.

IMPORTANT! Do not loosen or tighten screws more than 1/8 turn.

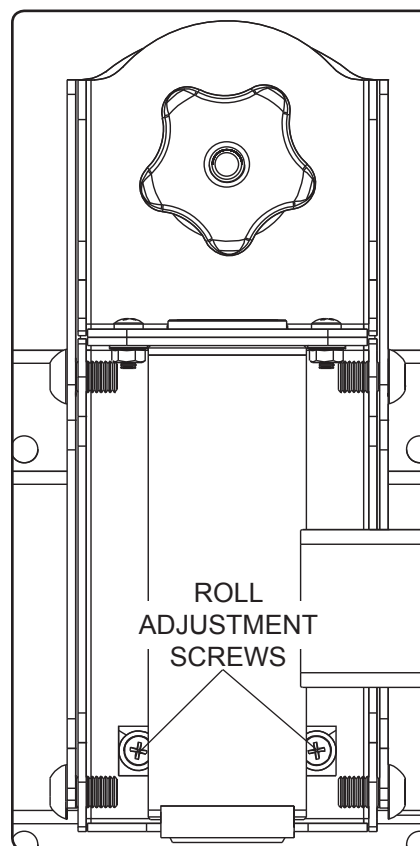


fig. 9.1

10 FOR PLAV60 ONLY:
Position of display may be adjusted vertically up to .79" in each direction by doing the following:

- To lower display, turn socket screw shown in figure 10.1 clockwise with 10mm allen wrench (V).
- To raise display, turn socket screw shown in figure 10.1 counterclockwise with 10mm allen wrench (V).

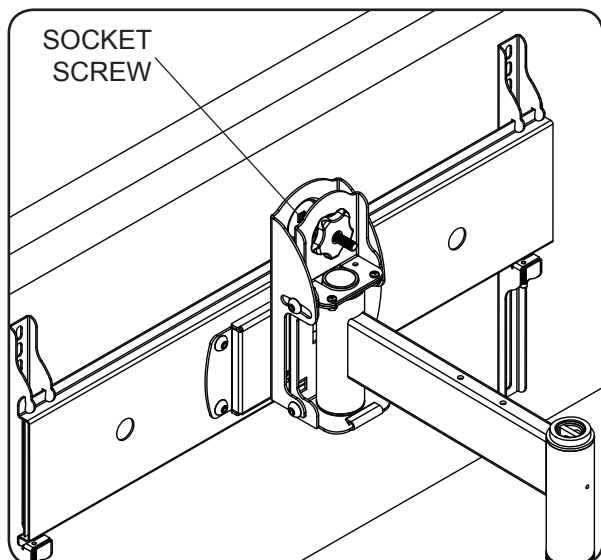


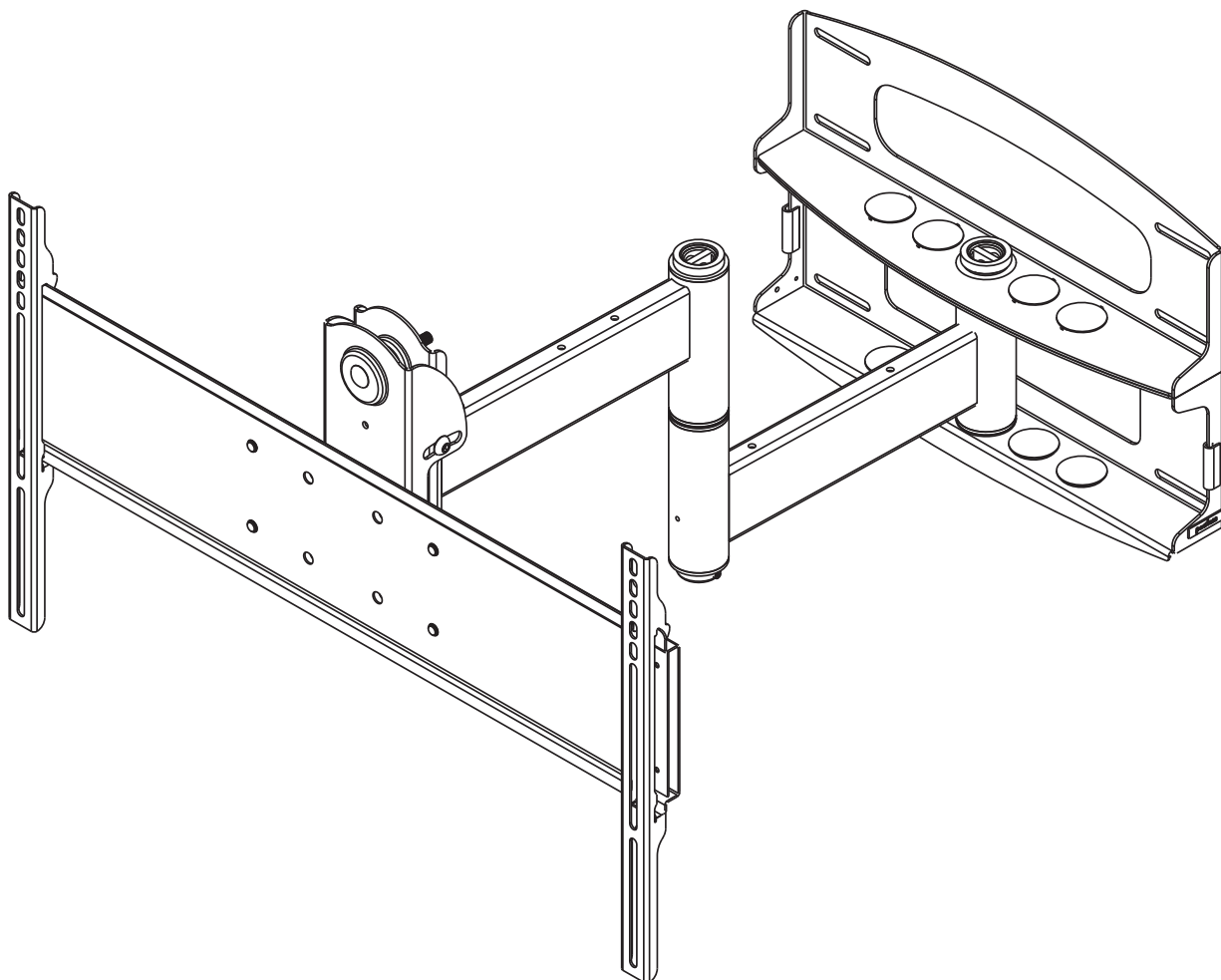
fig. 10.1



Instalación y ensamblaje:

Brazo articulador de giro universal para pantallas de 37" - 95"

Modelos: PLA60-UNL, PLA60-UNLP-S, PLA60-UNLP, PLAV60-UNL-S, PLAV60-UNL, PLAV60-UNLP-S, PLAV60-UNLP, PLA60-UNLP-GS, PLA60-UNLP-GB, PLAV60-UNLP-GB



Capacidad de carga máxima de UL:
175 lb (79 kg)

Nota: Lea la hoja de instrucciones completa antes de comenzar la instalación y el ensamblaje.

⚠ ADVERTENCIA

- No comience a instalar su producto de Peerless hasta haber leído y entendido las instrucciones y las advertencias contenidas en la Hoja de Instalación. Si tiene alguna pregunta acerca de cualquiera de las instrucciones o las advertencias, por favor, llame a Servicio al Cliente de Peerless al 1-800-865-2112 si está en EE. UU. Si es un cliente internacional, por favor, comuníquese con su distribuidor local.
- Este producto sólo debe ser instalado por una persona que tenga una buena aptitud mecánica, que tenga experiencia en construcción básica de edificios y que entienda estas instrucciones en su totalidad.
- Asegúrese de que la superficie de apoyo sostendrá, con seguridad, la carga combinada del equipo y todos los fijadores y componentes.
- Nunca sobrepase la capacidad máxima de soportar carga aceptada por Underwriters Laboratories. Vea la página 14.
- Si va a instalar el producto en una pared con montantes de madera, asegúrese de que los tornillos de montaje estén anclados en el centro de los montantes. Se recomienda utilizar un localizador de montantes de "borde a borde".
- Siempre cuente con la ayuda de un asistente o utilice un equipo mecánico de izar para levantar y colocar el equipo con más seguridad.
- Apriete los tornillos con firmeza, pero no en exceso. Apretarlos en exceso puede dañar los artículos y puede disminuir significativamente su fuerza de fijación.
- Este producto está diseñado para uso en interiores solamente. Utilizar este producto en exteriores podría causar fallas del producto y lesiones a individuos.
- Este producto fue diseñado para ser instalado en paredes con la siguiente construcción solamente:

CONSTRUCCIÓN DE LA PARED

- Montante de madera
- Viga de madera
- Concreto macizo
- Bloque de hormigón de escorias
- Montante de metal
- Ladrillo
- ¿Otra superficie o no está seguro?

ACCESORIOS NECESARIOS

- Incluido
- Incluido
- Incluido
- Incluido
- No lo instale excepto con el juego de accesorios de Peerless para montantes de metal (no evaluados por UL)
- Comuníquese con un profesional calificado (no evaluados por UL)
- Comuníquese con un profesional calificado

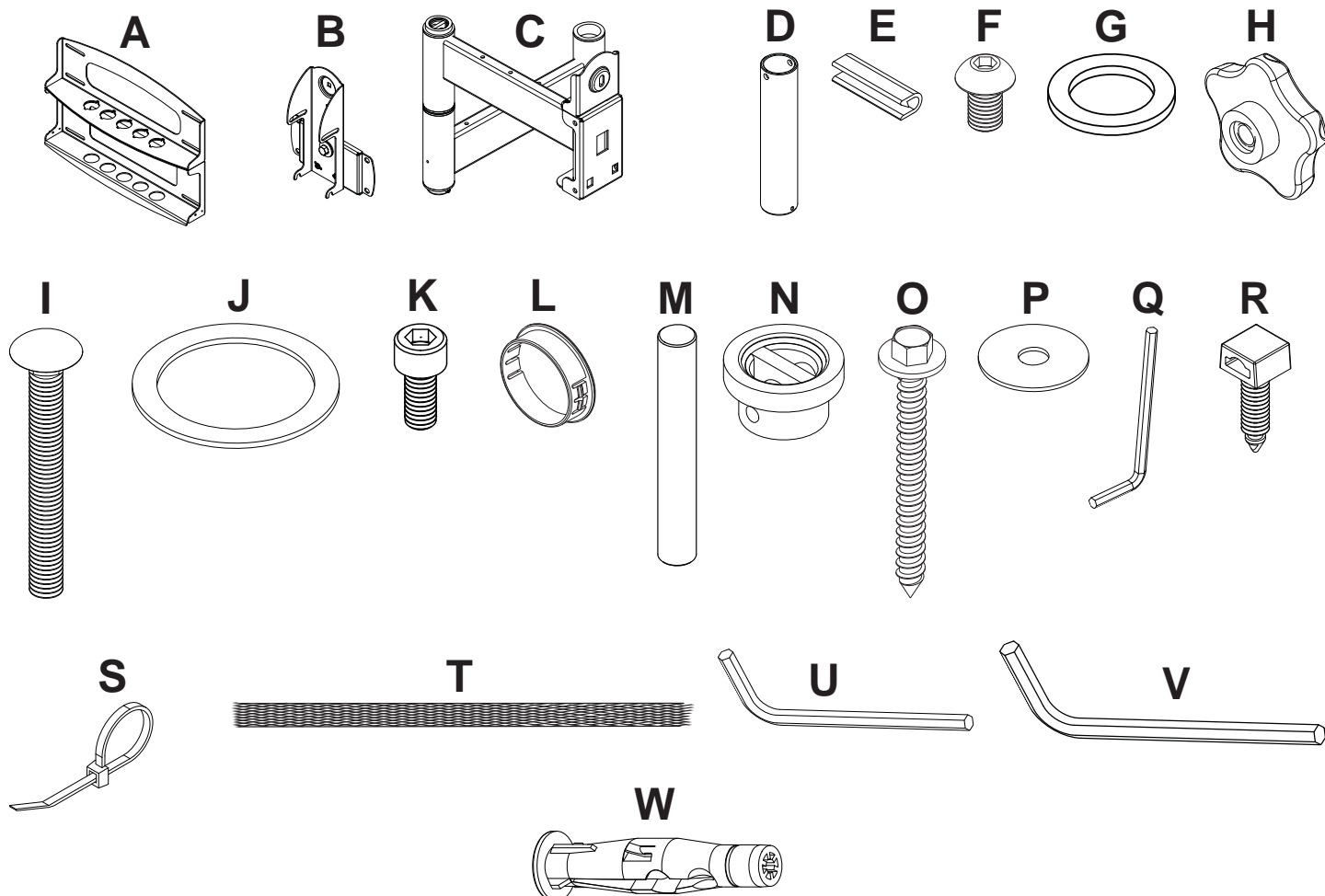
Herramientas necesarias para el ensamblaje **Accesorios**

- localizador de montantes (se recomienda uno de "borde a borde")
- taladro
- broca de 3/16" (5mm) para montantes de madera
- broca de 3/8" (10mm) para taladro de albapilerva para concreto
- llave de copa 7/16" con extensión (se recomienda)
- nivel
- destornillador phillips
- Placa de pared externa (WSP716, WSP716-S, WSP724, WSP724-S)
(Montante de metal no evaluado por UL).

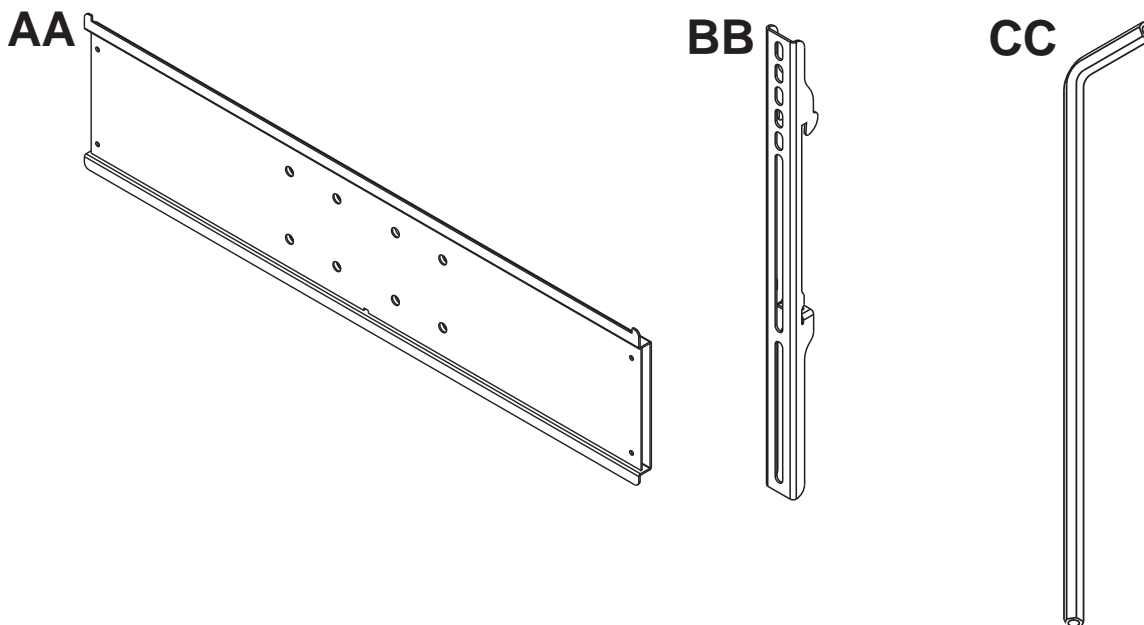
Tabla de contenido

| | |
|---|--------|
| Lista de piezas..... | 16, 17 |
| Instalación en una pared con montantes de madera dobles..... | 18 |
| Instalación en una pared de concreto macizo o de bloques de hormigón de escorias..... | 19 |

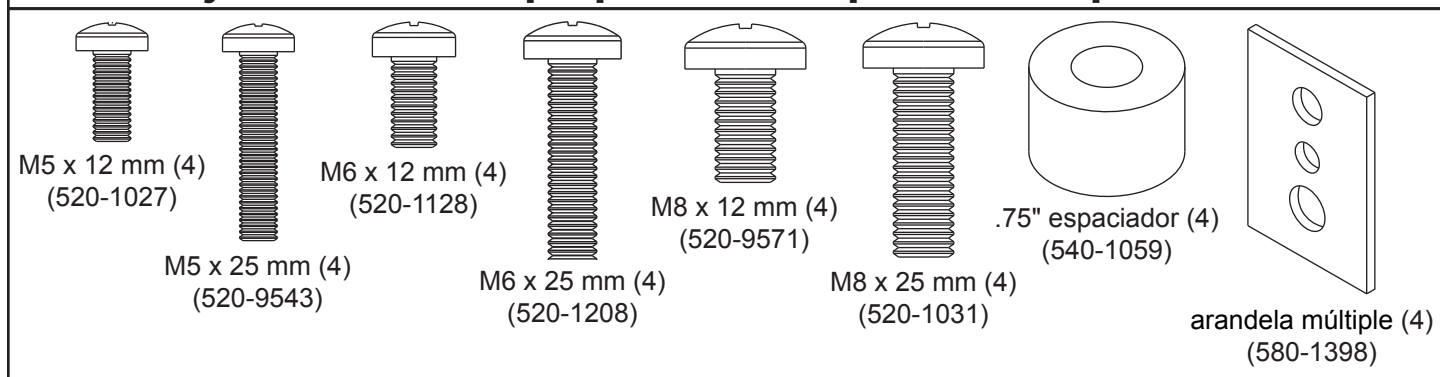
| Lista de piezas | Descripción | Cant. | PLA60-UNLP-GB | PLA60-UNLP-GS | PLA60-UNL | | PLAV60-UNL | PLAV60-UNL-S | PLAV60-UNLP-GB |
|-----------------|-----------------------------------|-------|---------------|---------------|-------------|-------------|-------------|--------------|----------------|
| | | | Nº de pieza | Nº de pieza | Nº de pieza | Nº de pieza | Nº de pieza | Nº de pieza | Nº de pieza |
| A | placa de pared | 1 | 201-P1040 | 201-C4040 | 201-1040 | 201-4040 | 201-1040 | 201-1040 | 201-1040 |
| B | armazón de inclinación y giro | 1 | 201-P1093 | 201-C4093 | 201-1093 | 201-4093 | 201-1048 | 201-1048 | 201-1048 |
| C | armazón del brazo | 1 | 201-P1072 | 201-C4072 | 201-1072 | 201-4072 | 201-1049 | 201-1049 | 201-1049 |
| D | eje del brazo de soporte de pared | 1 | 201-1041 | 201-1041 | 201-1041 | 201-1041 | 201-1041 | 201-1041 | 201-1041 |
| E | ribete de vinilo | 3 | 600-1012 | 600-1012 | 600-1012 | 600-1012 | 600-1012 | 600-1012 | 600-1012 |
| F | tornillo de rosca M10 x 15 mm | 8 | 520-9262 | 520-9262 | 520-9262 | 520-9262 | 520-9262 | 520-9262 | 520-9262 |
| G | arandela de nilón .505 x .062" | 1 | 540-1074 | 540-1074 | 540-1074 | 540-1074 | 540-1074 | 540-1074 | 540-1074 |
| H | perilla ajuste de la inclinación | 1 | 560-0108 | 560-0108 | 560-0108 | 560-0108 | 560-0108 | 560-0108 | 560-0108 |
| I | perno cabeza 3/8"-16 x 3.25" | 1 | 520-1315 | 520-1315 | 520-1315 | 520-1315 | 520-1315 | 520-1315 | 520-1315 |
| J | arandela delrin de 1.525 x .062" | 2 | 540-1070 | 540-1070 | 540-1070 | 540-1070 | 540-1070 | 540-1070 | 540-1070 |
| K | tornillo hueca 8 x -32 x 0.375" | 1 | 520-1210 | 520-1210 | 520-1210 | 520-1210 | 520-1210 | 520-1210 | 520-1210 |
| L | cubierta plástica de acabado | 8 | 590-1123 | 590-1123 | 590-1123 | 590-1123 | 590-1123 | 590-1123 | 590-1123 |
| M | pasador de sujeción | 1 | 580-1166 | 580-1166 | 580-1166 | 580-1166 | 580-1166 | 580-1166 | 580-1166 |
| N | tapón retenedor | 1 | 590-1007 | 590-1007 | 590-1007 | 590-1007 | 590-1007 | 590-1007 | 590-1007 |
| O | tornillo de madera 5/16 x 3" | 8 | 520-1243 | 520-1243 | 520-1243 | 520-1243 | 520-1243 | 520-1243 | 520-1243 |
| P | arandela de 250 x 1 x .068" | 8 | 540-1063 | 540-1063 | 540-1063 | 540-1063 | 540-1063 | 540-1063 | 540-1063 |
| Q | llave allen de 9/64 | 1 | 560-9728 | 560-9728 | 560-9728 | 560-9728 | 560-9728 | 560-9728 | 560-9728 |
| R | clips de sujeción de cables | 4 | 590-1166 | 590-1166 | 590-1166 | 590-1166 | 590-1166 | 590-1166 | 590-1166 |
| S | sujetacables | 4 | 590-1168 | 590-1168 | 590-1168 | 590-1168 | 590-1168 | 590-1168 | 590-1168 |
| T | funda de malla de poliéster 36" | 1 | 600-1015 | 600-1015 | 600-1015 | 600-1015 | 600-1015 | 600-1015 | 600-1015 |
| U | llave allen de 6 mm | 1 | 560-9716 | 560-9716 | 560-9716 | 560-9716 | 560-9716 | 560-9716 | 560-9716 |
| V | llave allen de 10 mm | 1 | - | - | - | - | 560-9727 | 560-9727 | 560-9727 |
| W | anclaje para concreto | 8 | 590-0321 | 590-0321 | 590-0321 | 590-0321 | 590-0321 | 590-0321 | 590-0321 |



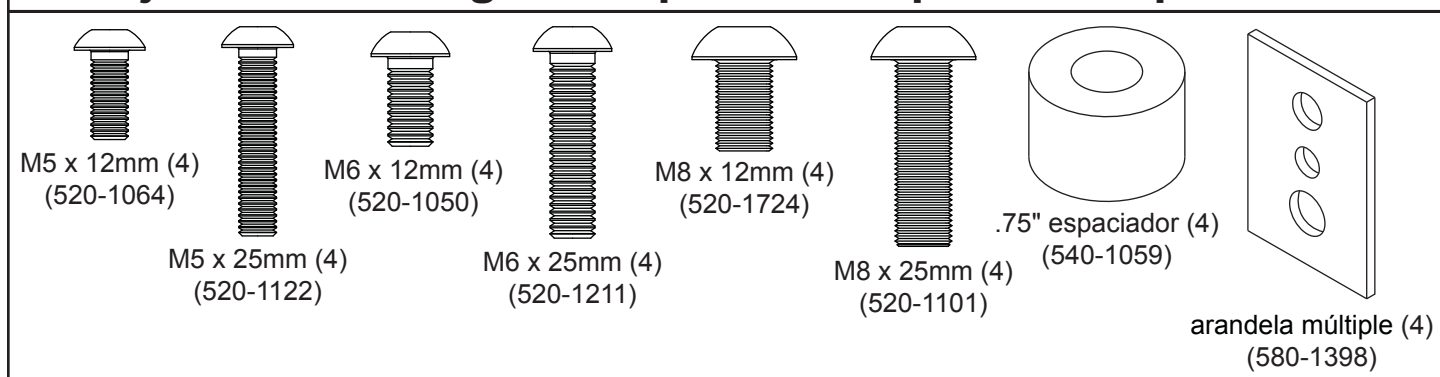
| Lista de piezas | Descripción | Cant. | PLA60-UNL | PLA60-UNLP | PLA60-UNLP-S | PLA60-UNLP-GB | PLA60-UNLP-GS |
|-----------------|---------------------------------------|-------|---------------------------|-----------------------------|----------------------------|------------------------------|-------------------------------|
| | | | PLAV60-UNL Nº de pieza | PLAV60-UNL-S Nº de pieza | PLAV60-UNLP Nº de pieza | PLAV60-UNLP-S Nº de pieza | PLAV60-UNLP-GB Nº de pieza |
| AA | soporte adaptador | 1 | 201-1110 | 201-4110 | 201-1110 | 201-4110 | 201-C4110 |
| BB | soporte adaptador de poca profundidad | 2 | 202-1655 | 202-4655 | 202-1656 | 202-4656 | 202-C4656 |
| CC | llave allen 4mm | 1 | 560-9646 | 560-9646 | 560-9646 | 560-9646 | 560-9646 |



Fijaciones Phillips para los soportes adaptadores



Fijaciones de seguridad para los soportes adaptadores



Instalación en una pared con montantes de madera

⚠ ADVERTENCIA

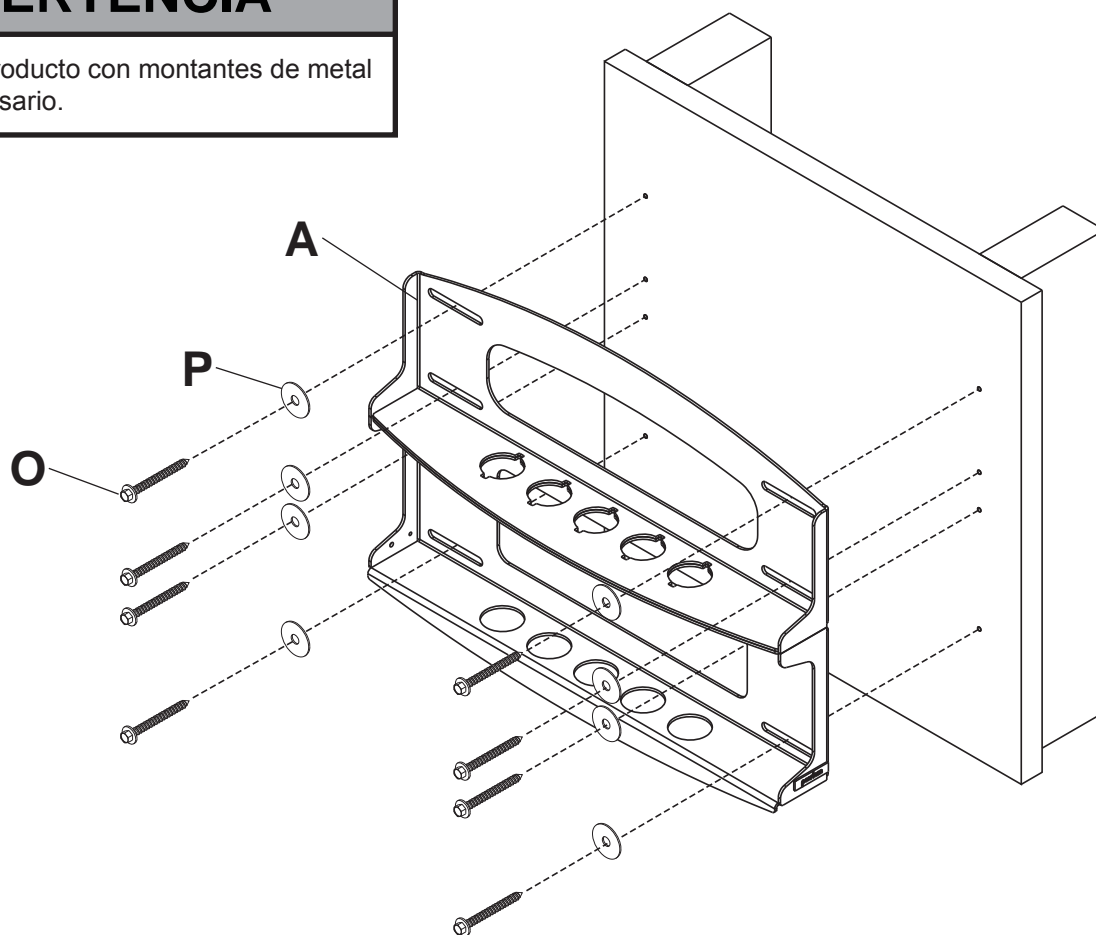
- El instalador debe verificar que la superficie de apoyo sea capaz de soportar firmemente la carga combinada del equipo y todos los herrajes y componentes.
- Apriete los tornillos para madera de tal modo que la placa de apoyo quede firmemente sujeta, pero no apriete en exceso. El apriete excesivo puede dañar los tornillos, reduciendo enormemente su fuerza de fijación.
- Nunca apriete más de 80 pulg-lb (9 N•m).
- Asegúrese de que los tornillos de montaje queden bien fijos en el centro del montante. Se recomienda usar un localizador de montantes de "borde a borde".
- Los herrajes suministrados son para fijar el soporte a través de tabique de yeso-cartón o yeso de espesor estándar a los montantes de madera. Los instaladores son responsables de suministrar los herrajes para otros tipos de situaciones de montaje (no evaluados por UL).

- 1** La placa de pared (**A**) se puede instalar en dos montantes que tengan una separación de 16". Utilice un localizador de montantes para ubicar los bordes de los montantes. Se recomienda utilizar un localizador de montantes de "borde a borde". Tomando los bordes como punto de referencia, trace una línea vertical por el centro de cada montante. Coloque la placa de pared contra la pared para utilizarla como plantilla. Las ranuras superiores de montaje deben estar ubicadas donde quiere que el centro de la pantalla. Nivele la placa y marque el centro de los ocho agujeros de montaje. Asegúrese de que los agujeros de montaje estén sobre las líneas que trazó por el centro de los montantes. Taladre ocho agujeros de 3/16" (5mm) de diámetro y 3" (76mm) de profundidad. Asegúrese de que la placa esté nivelada, fjela usando ocho tornillos para madera de 5/16 x 3" (**O**) y las arandelas (**P**).

Proceda al paso 2

⚠ ADVERTENCIA

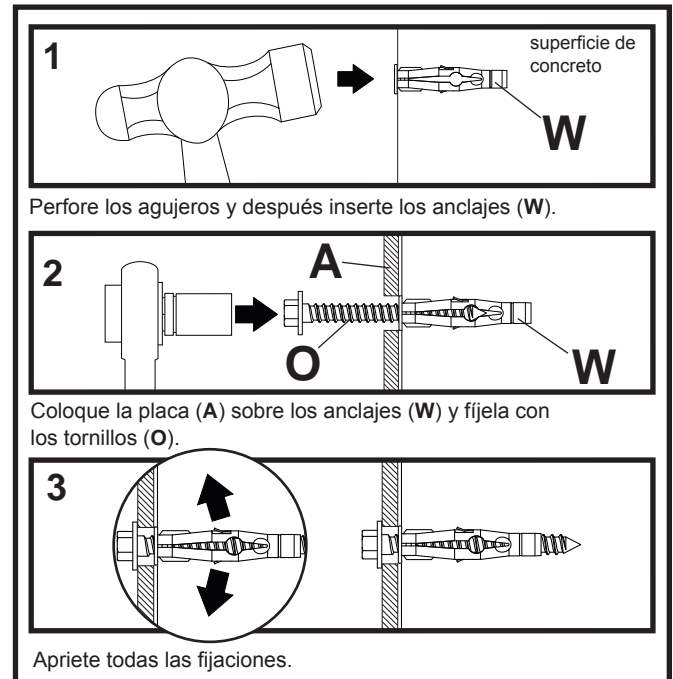
- Nunca instale este producto con montantes de metal sin el accesorio necesario.



⚠ ADVERTENCIA

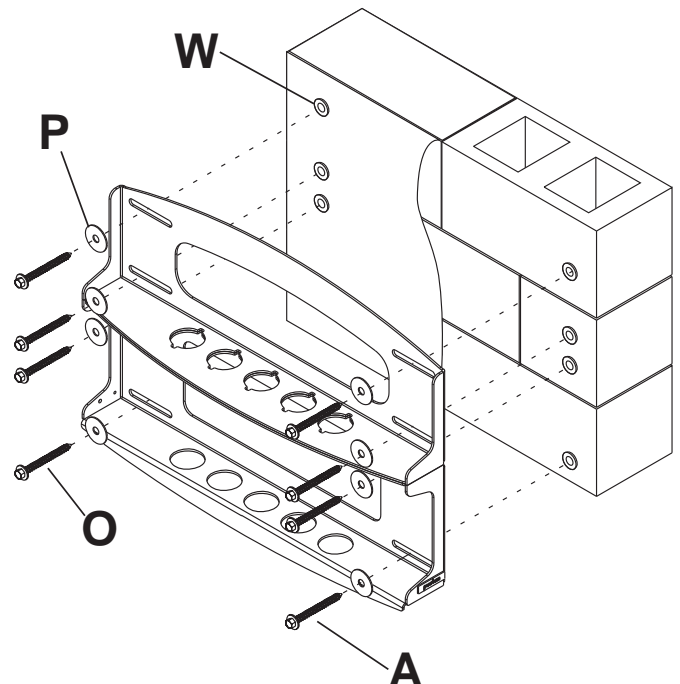
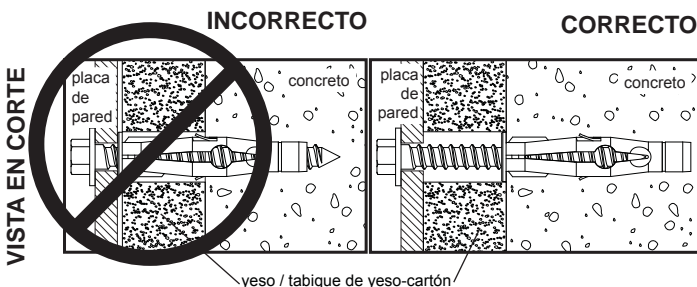
- Cuando instale soportes de pared Peerless en bloques de hormigón de escorias, verifique que tengan un mínimo de 1-3/8" (35mm) de superficie efectiva de concreto en el agujero que va a utilizar para los anclajes de concreto. ¡No perforo en las juntas de mortero! Asegúrese de instalar el soporte en una parte sólida del bloque, generalmente a un mínimo de 1" (25mm) del costado del bloque. El bloque de hormigón de escorias debe ser de conformidad con las especificaciones C-90 de ASTM. Se sugiere taladrar el agujero con un taladro eléctrico normal en velocidad lenta en vez de un taladro percutor para evitar romper la parte trasera del agujero al entrar en un espacio o cavidad.
- El concreto debe tener una densidad mínima de 2000 psi. Un concreto menos denso podría no ser capaz de sujetar el anclaje para concreto.
- El instalador debe verificar que la superficie de apoyo sea capaz de soportar firmemente la carga combinada del equipo y todos los herrajes y componentes.

- 1** Utilice la placa de pared (A), asegurándose de que esté nivelada, como plantilla para marcar los agujeros. Las ranuras superiores de montaje deben estar ubicadas donde quiere que el centro de la pantalla. Utilice el pedacito de la albañilería para perforar 3/8" (10mm) diámetro. agujeros a una profundidad mínima de 3" (76mm). Inserte los anclajes (W) en los agujeros a ras con la pared, como se muestra (a la derecha). Coloque la placa de pared (A) sobre los anclajes (W) y fíjela con los tornillos para madera de 5/16 x 3" (O) y las arandelas (P).



⚠ ADVERTENCIA

- Apriete los tornillos de tal modo que la placa de apoyo quede firmemente sujeta, pero no los apriete en exceso. El apriete excesivo puede dañar los tornillos, reduciendo enormemente su fuerza de fijación.
- Nunca apriete más de 80 pulg-lb (9 N•m).
- Siempre fije los anclajes de expansión directamente al concreto que soporta carga.
- Nunca fije los anclajes de expansión a una pared de concreto recubierta con yeso, tabiques de yeso-cartón u otro material de acabado. Si el montaje a superficies de concreto recubiertas con una superficie de acabado es inevitable (no evaluadas por UL), será necesario escariar el acabado, como se muestra más abajo. Asegúrese de que los anclajes de concreto no se alejen del concreto al apretar los tornillos. Si el grosor de la pared de yeso/tabique de yeso-cartón es mayor que 5/8" (16mm), el instalador deberá suministrar fijaciones especiales (no evaluadas por UL).



⚠ ADVERTENCIA

- Si no está seguro de que el producto esté bien instalado, llame a Servicio al Cliente.

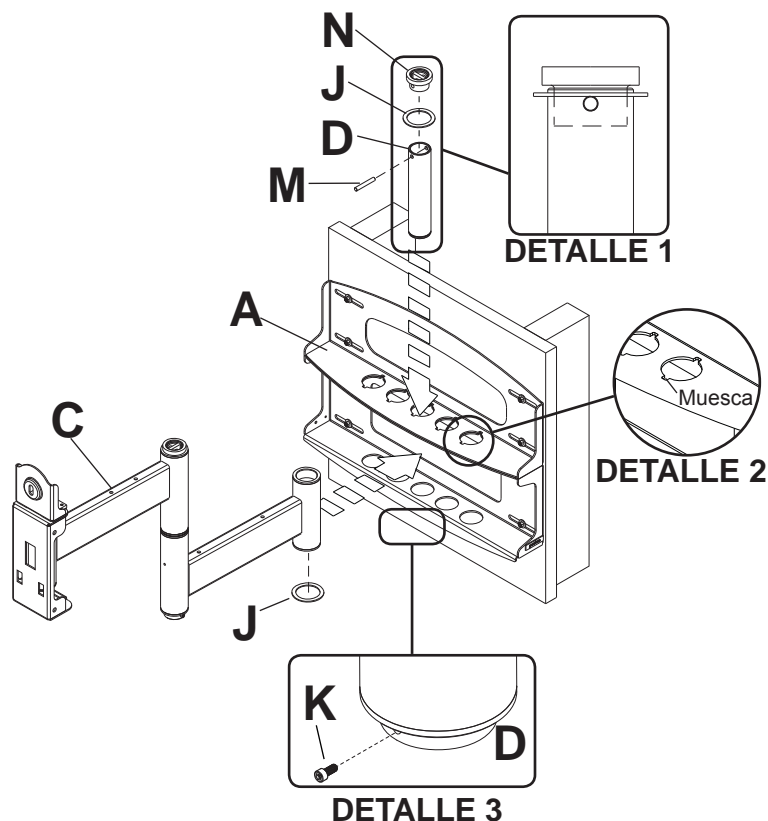
2 Nota: Hay cinco posiciones de instalación. Se muestra la posición central (derecha).

Deslice la arandela (J) sobre el eje del brazo del soporte de pared (D). Luego inserte la cubierta plástica de acabado (N) en el eje. Luego inserte el pasador de sujeción (M) en el eje. Vea el detalle 1.

2-1 Coloque el armazón del brazo (C) con la arandela (J) en la placa de pared (A). Inserte el armazón del eje que se muestra en el detalle 1 a través de la placa de pared (A) y la arandela (J). Fije el eje en su lugar alineando el pasador de sujeción (M) con las muescas, que se muestran en el detalle 2.

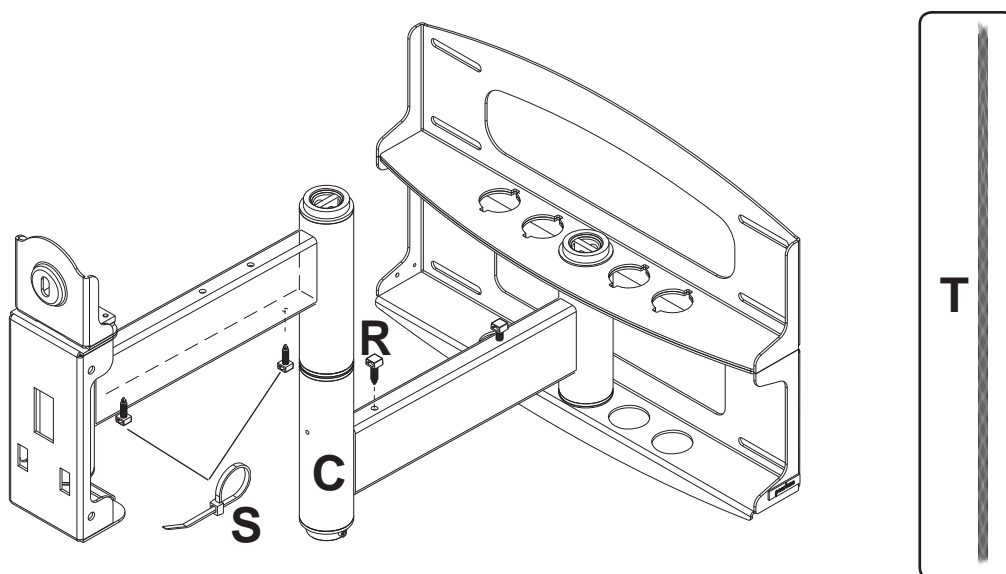
2-2 Inserte el tornillo de cabeza hueca (K) en el agujero de la parte interior del eje del brazo del soporte de pared (D), como se muestra en el detalle 3. Apriete el tornillo usando una llave allen de 9/64" (Q).

Nota: El eje (D) quedará apretado en la placa de pared (A) y en el armazón del brazo (C). Déle golpecitos suaves con un martillo para llevarlo a su lugar, de ser necesario.

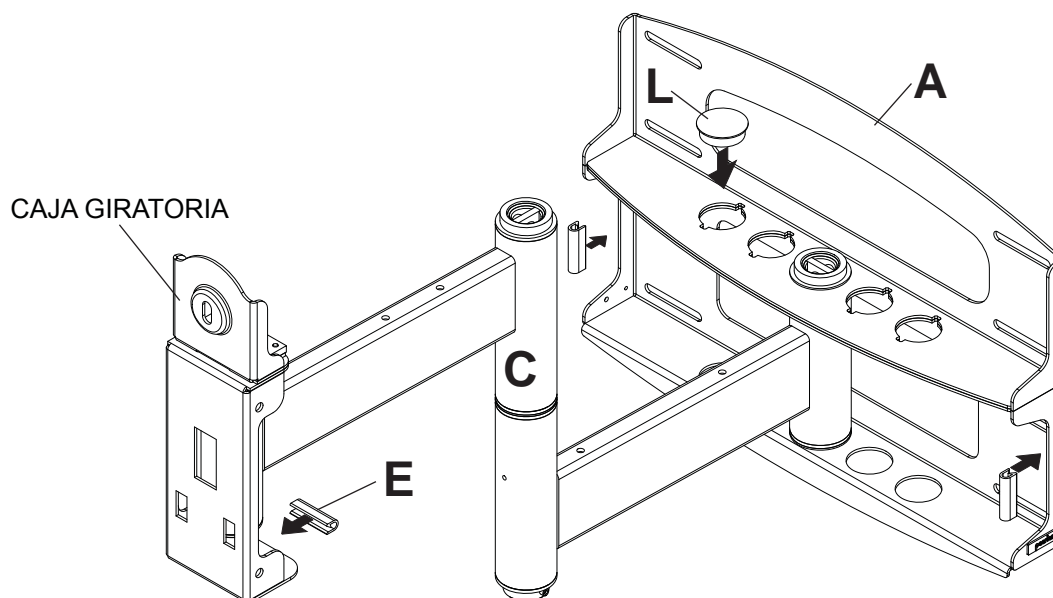


3 Inserte, a presión, cuatro clips de sujeción de cables (R) en la parte superior o en la parte inferior del armazón del brazo (C), como se muestra. Los sujetacables (S) se usan con los clips para recoger los cordones.

3-1 Deslice una funda de malla (T) sobre cada cable. Use los sujetacables (S) para apretar la funda de malla que cubre los cables.



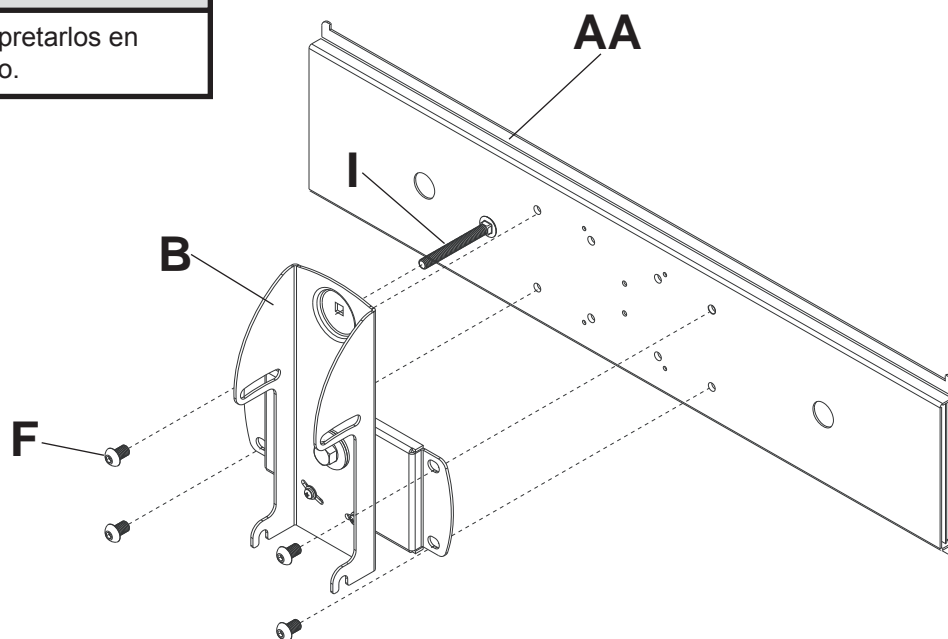
- 4 Adhiera dos pedazos del ribete de vinilo (E) a la placa de pared (A). Luego adhiera un pedazo del ribete de vinilo a la parte inferior de la caja giratoria del armazón del brazo (C).
- 4-1 Inserte una capa plástica de acabado (L) en cada agujero que no haya utilizado de la placa de pared (A).



- 5 Inserte y adhiera, con un pedazo de cinta adhesiva, el perno de cabeza redonda (I) al armazón de inclinación y giro (B). Fije el armazón de inclinación y giro en el soporte adaptador (AA) con cuatro tornillos de cabeza hueca M10 (F). Apriete los tornillos usando una llave allen de 6mm (U).

ATENCIÓN

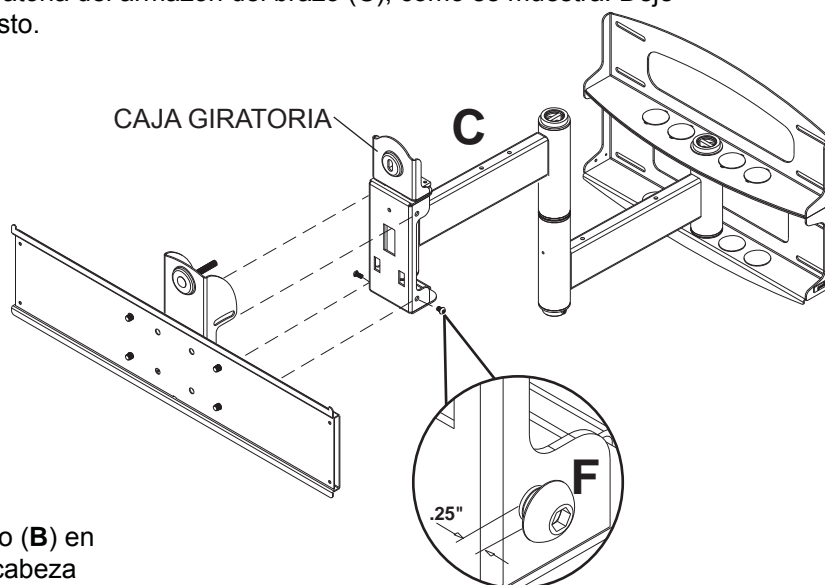
- ¡No apriete los tornillos en exceso! Apretarlos en exceso puede limitar la opción de giro.



⚠ ADVERTENCIA

- Cuento con un asistente o con un equipo mecánico de izar para levantar y colocar el televisor de plasma con más seguridad.

- 6** Inserte dos tornillos M10 (F) en la caja giratoria del armazón del brazo (C), como se muestra. Deje aproximadamente .25" de la rosca expuesto.

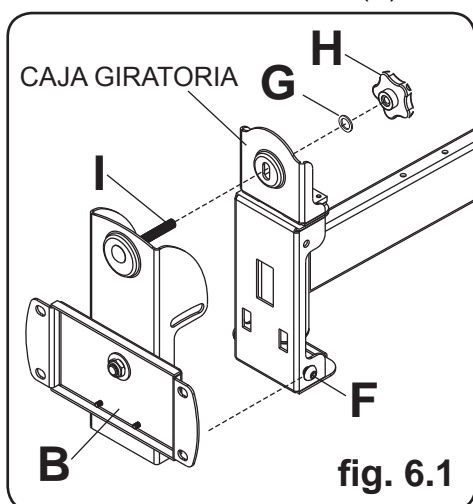


- 6-1** Enganche el armazón de inclinación y giro (B) en los tornillos M10 (F). Inserte el perno de cabeza redonda (I) en la ranura de la caja giratoria, como se muestra en la ilustración 6.1. Instale la arandela de nilón (G) y la perilla de ajuste de la inclinación (H).

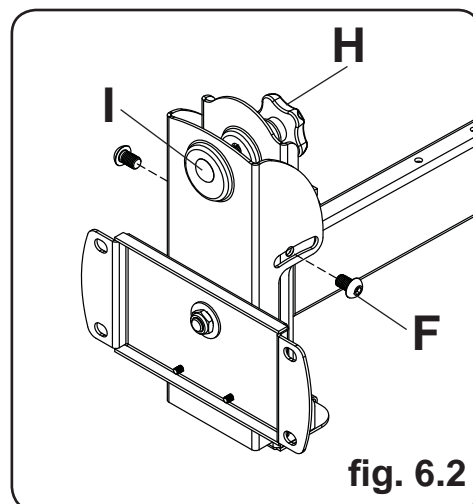
- 6-2** Instale los dos tornillos M10 (F) que quedan, como se muestra en la ilustración 6.2. **APRIETE A MANO** los cuatro tornillos M10 para poder ajustar la inclinación. Quite la cinta adhesiva del perno de cabeza redonda (I). Para ajustar la inclinación, empuje la parte superior de la pantalla de plasma para disminuir la presión sobre la perilla. Ajuste la inclinación a la posición deseada y apriete la perilla de ajuste de la inclinación (H) y luego apriete firmemente los cuatro tornillos M10 (F) usando una llave allen de 6mm (U).

ATENCIÓN

- Después de ajustar la inclinación, tiene que apretar todas las fijaciones. Si no lo hace, el resultado será que le causará daño al soporte.



El soporte adaptador no se muestra para propósitos aclaratorios.



El soporte adaptador no se muestra para propósitos aclaratorios.

⚠ ADVERTENCIA

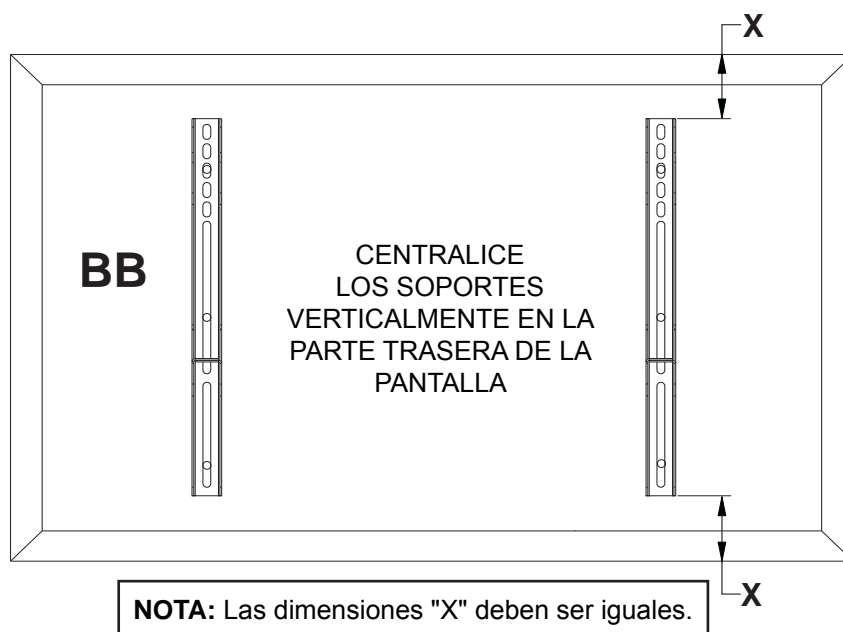
- Apriete los tornillos de manera que los soportes adaptadores se fijen con firmeza. No los apriete con fuerza excesiva. Apretar los tornillos en exceso puede causarles daño por forzarlos, y puede disminuir significativamente su fuerza de fijación y podría causar el desprendimiento de las cabezas de los tornillos. Apriete los tornillos a un máximo de 40 pulg-lb (4.5 N•m) de par torsor.
- Si no se les da tres vueltas completas a los tornillos en los insertos de la pantalla o si los tornillos topan fondo y la placa todavía no está firme, se podría dañar la pantalla o el producto podría no funcionar bien.

7 Para no rayar la pantalla, coloque un trapo sobre una superficie plana y nivelada que sostenga el peso de la pantalla. Coloque la pantalla boca abajo. Si la pantalla tiene perillas en la parte trasera, quíteselas para poder fijar los soportes adaptadores. Coloque los soportes adaptadores (**BB**) en la parte trasera de la pantalla, alinéelos con los agujeros y centralícelos en la parte trasera de la pantalla, como se muestra abajo. Fije los soportes adaptadores en la parte trasera de la pantalla utilizando la combinación adecuada de tornillos, arandelas múltiples y espaciadores, como se muestra en la figura 7.1 o en la figura 7.2.

NOTA: Siempre se tienen que usar los agujeros superiores y los inferiores.

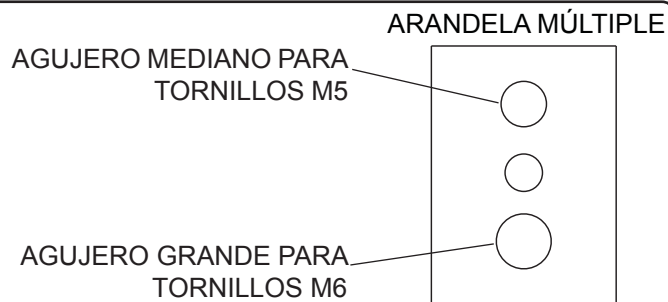
Verifique que todos los agujeros estén debidamente alineados y luego apriete los tornillos usando un destornillador phillips.

NOTA: Si va a utilizar tornillos de seguridad, apriételes usando una llave allen de seguridad (**CC**).



Notas:

- El número de fijaciones que se utilizará variará, dependiendo del tipo de pantalla.
- Es posible que no necesite las arandelas múltiples y los espaciadores, dependiendo del tipo de pantalla.
- Utilice el agujero correspondiente de la arandela múltiple que sea del mismo tamaño del tornillo, como se muestra.

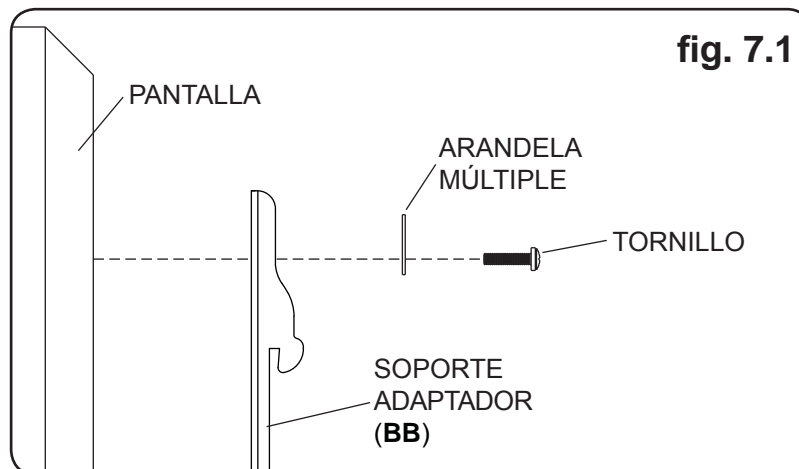


NOTA: En el caso de los televisores que tienen la **parte posterior plana**, pase al paso 7-1. En el caso de los televisores que tienen la **parte posterior abultada o empotrada**, pase al paso 7-2.

Instalación de un televisor que tiene la parte posterior plana

7-1 Comience con uno de los tornillos más cortos, enrósquelo, con la mano, a través de la arandela múltiple y el soporte adaptador a la parte posterior de la pantalla, como se muestra abajo. El tornillo debe dar, por lo menos, tres vueltas completas dentro del agujero de instalación y debe quedar ajustado en su lugar. No apriete los tornillos en exceso. Si el tornillo no puede dar tres vueltas completas al entrar en la parte posterior de la pantalla, seleccione un tornillo más largo de los sujetadores identificados y clasificados en las divisiones del empaque plástico. Siga el mismo procedimiento con los agujeros de instalación restantes, nivele los soportes y apriete los tornillos.

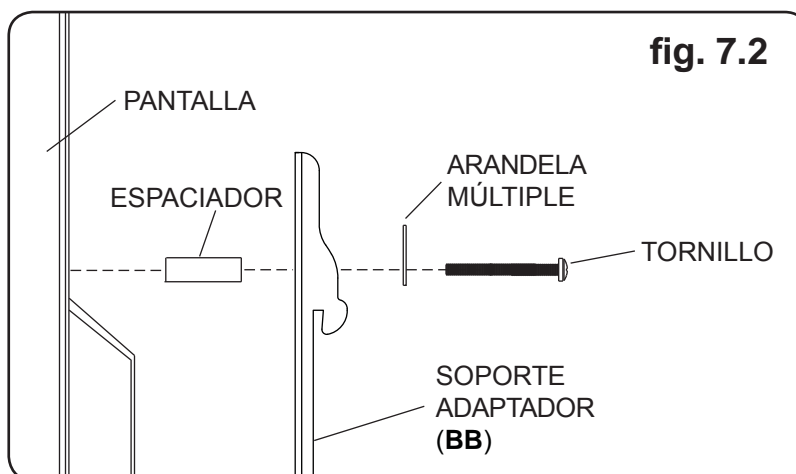
NOTA: Es posible que no necesite usar los espaciadores, dependiendo del tipo de pantalla.



Si tiene alguna pregunta, por favor, llame a servicio al cliente de Peerless al **1-800-865-2112**.

Instalación de un televisor que tiene la parte posterior abultada o empotrada

7-2 Comience con uno de los tornillos más largos, enrósquelo, con la mano, a través de la arandela múltiple, el soporte adaptador y el espaciador, en ese orden, a la parte posterior de la pantalla, como se muestra abajo. El tornillo debe dar, por lo menos, tres vueltas completas dentro del agujero de instalación y debe quedar ajustado en su lugar. No apriete los tornillos en exceso. Si el tornillo no puede dar tres vueltas completas al entrar en la parte posterior de la pantalla, seleccione un tornillo más largo de los sujetadores identificados y clasificados en las divisiones del empaque plástico. Siga el mismo procedimiento con los agujeros de instalación restantes, nivele los soportes y apriete los tornillos.



Si tiene alguna pregunta, por favor, llame a servicio al cliente de Peerless al **1-800-865-2112**.

Instalación y desinstalación de la pantalla plana

⚠ ADVERTENCIA

- Siempre cuente con un asistente o con un equipo mecánico de izar para levantar y colocar el televisor de plasma con más seguridad.

8

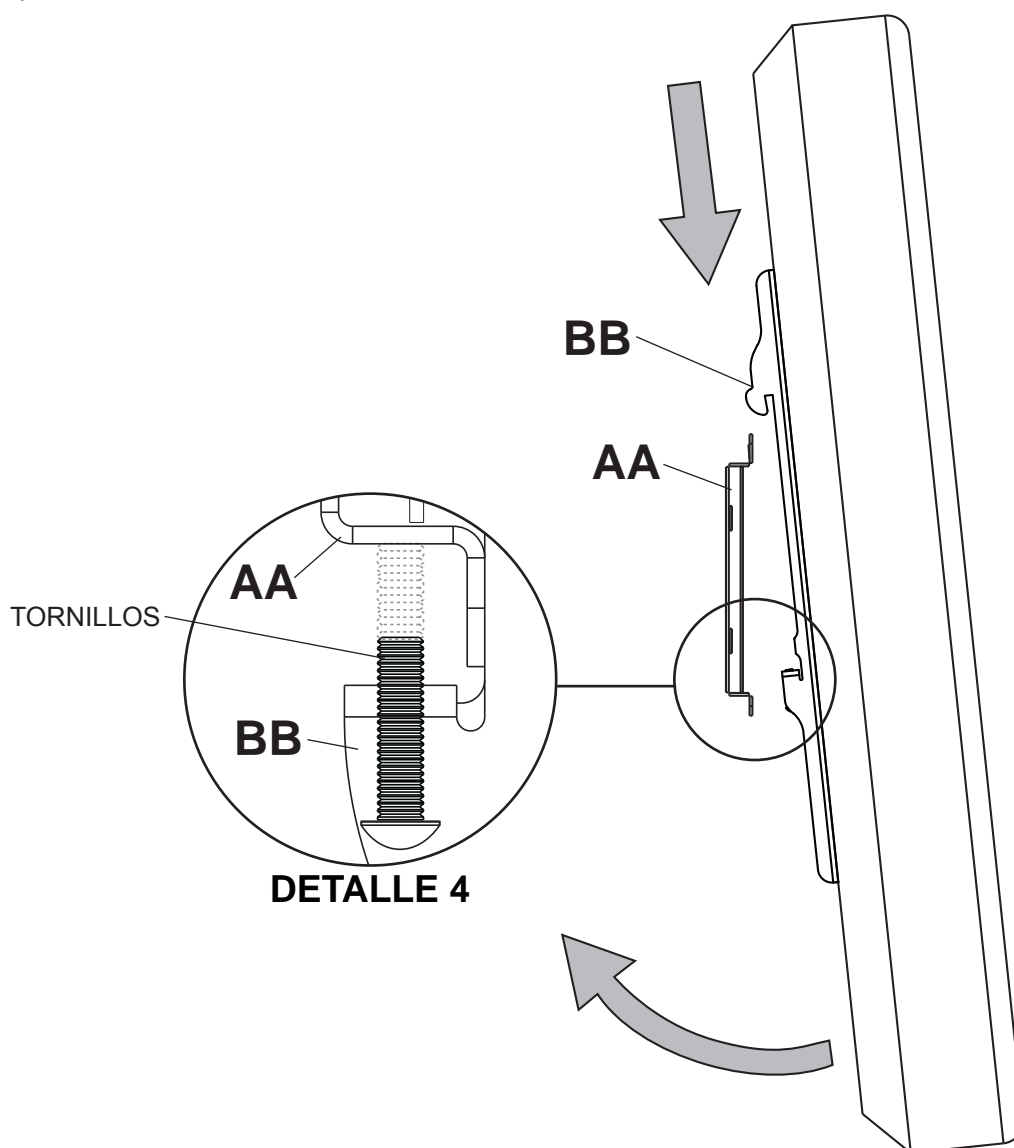
Refiérase a la hoja de instrucciones del soporte para saber cómo fijar el soporte adaptador.

Enganche los soportes adaptadores (**BB**) a la placa de pared (**AA**) y luego gire la pantalla lentamente hacia dentro, como se muestra. Déles, por lo menos seis vueltas a los tornillos en el sentido del movimiento de las manecillas del reloj para evitar que se pueda quitar la pantalla, como se muestra en el detalle 4. Apriete los tornillos usando una llave allen (**CC**).

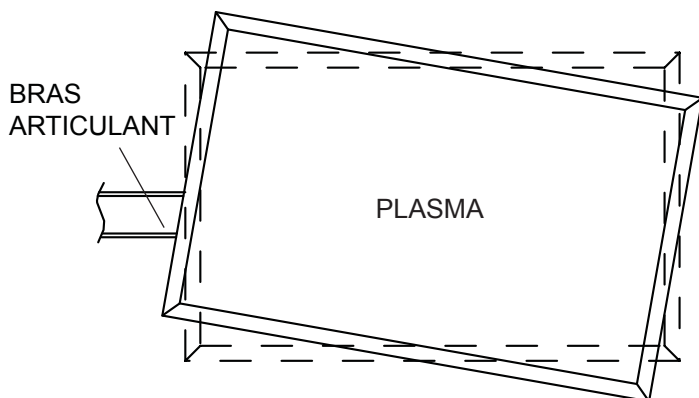
La pantalla se puede ajustar horizontalmente si lo desea.

Nota: Para trabar la pantalla, apriete los tornillos de seguridad al soporte adaptador, como se muestra en el detalle 4.

Para quitar la pantalla del soporte, afloje los tornillos, gire la pantalla retirándola del soporte y levántela para sacarla del soporte.

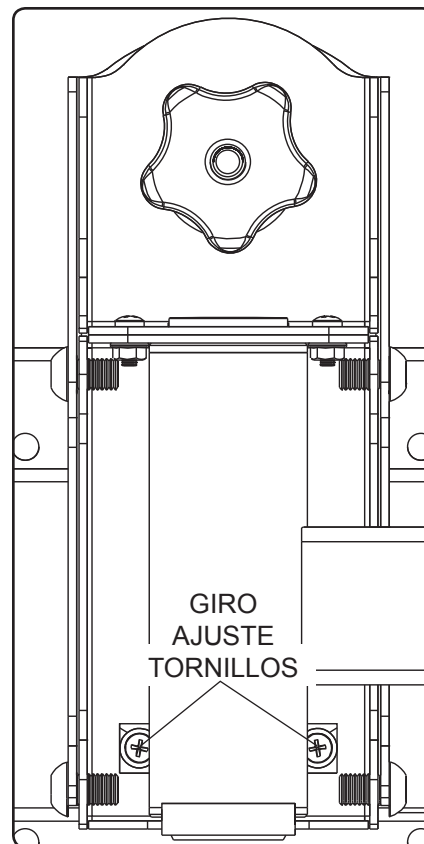


- 9 Dependiendo del modelo y el peso específicos de la pantalla de plasma, el ángulo del brazo articulador de giro se puede ajustar a diferentes posiciones, lo cual puede causar que parezca que la pantalla de plasma se inclina hacia uno de los lados en las diferentes posiciones. El armazón de inclinación y giro (B) le permite ajustar la pantalla de plasma manualmente, de manera que la pantalla se pueda mantener horizontal en todas las posiciones. Para ajustarla, gire la pantalla de plasma suavemente hasta la posición deseada.



- 9-1 Si se hace difícil girar la pantalla de plasma, afloje los tornillos que se muestran en la ilustración 9.1 usando un destornillador phillips.

¡IMPORTANTE! No afloje ni apriete los tornillos más de 1/8 de vuelta.



- 10 **SÓLO PARA EL MODELO PLAV60:**
La posición de la pantalla se puede ajustar verticalmente hasta .79" en cada dirección haciendo lo siguiente:
- Para bajar la pantalla, gire el tornillo de cabeza hueca que se muestra en la ilustración 10.1 en el sentido del movimiento de las manecillas del reloj con la llave allen de 10mm (V).
 - Para subir la pantalla, gire el tornillo de cabeza hueca que se muestra en la ilustración 10.1 en el sentido opuesto al movimiento de las manecillas del reloj con la llave allen de 10mm (V).

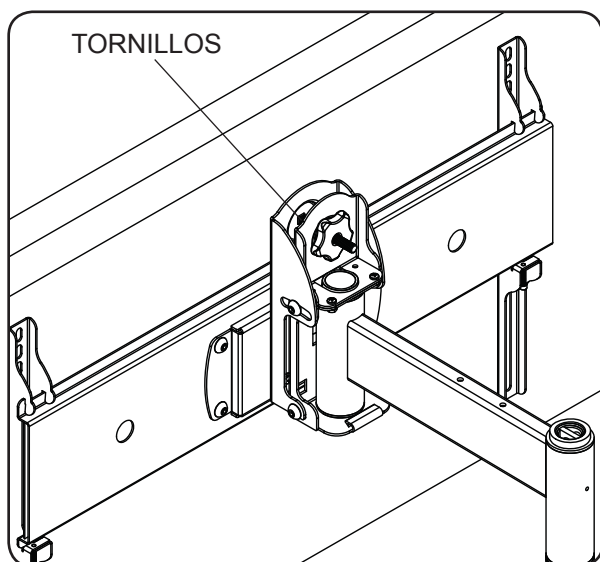


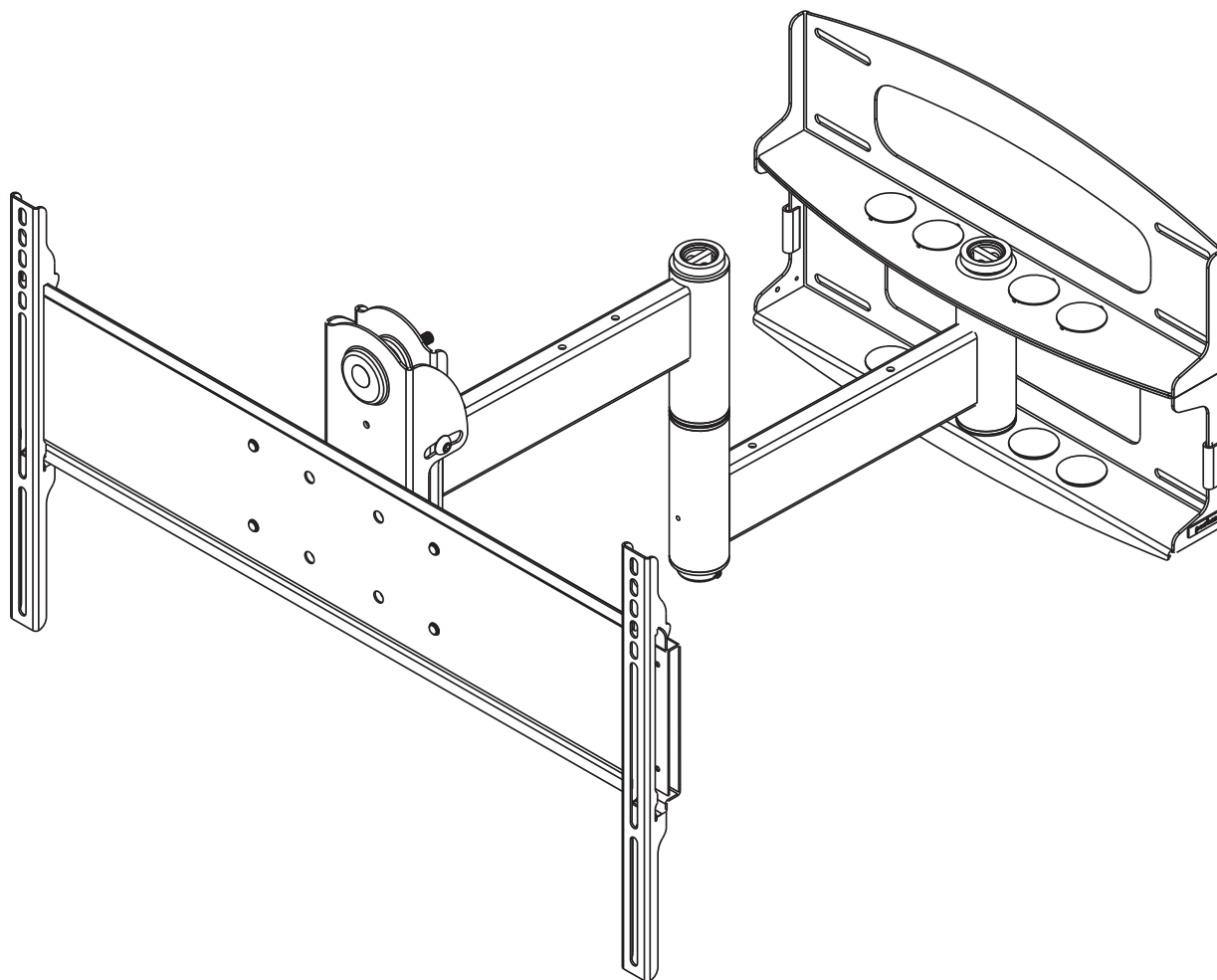
fig. 10.1



Installation et montage:

Support mural articulé universel pour écrans de 37 à 95 po

Modèles: PLA60-UNL, PLA60-UNLP-S, PLA60-UNLP, PLAV60-UNL-S, PLAV60-UNL, PLAV60-UNLP-S, PLAV60-UNLP, PLA60-UNLP-GS, PLA60-UNLP-GB, PLAV60-UNLP-GB



Capacité de charge maximale préconisée par UL:
175 lb (79 kg)

Remarque : lisez entièrement la fiche d'instructions avant de commencer l'installation et l'assemblage.

▲ AVERTISSEMENT

- Ne commencez pas à installer votre produit Peerless avant d'avoir lu et assimilé les instructions et les avertissements contenus dans cette fiche d'installation. Pour toute question concernant les instructions ou les avertissements, veuillez appeler le service à la clientèle de Peerless au 1-800-865-2112; tous les clients internationaux sont priés de contacter leur distributeur local.
- Ce produit doit être installé uniquement par quelqu'un possédant une bonne aptitude à la mécanique, une expérience de la construction immobilière et ayant bien compris ces instructions.
- Assurez-vous que la surface de support puisse soutenir sans danger la charge totale de l'équipement ainsi que des pièces et composants qui y sont attachés.
- Ne dépassez jamais la capacité de charge maximum établie par l'UL. Reportez-vous à la page 27.
- Lors d'une installation sur un mur à montants en bois, assurez-vous que les vis de montage sont ancrées au centre des montants. L'utilisation d'un localisateur de montants « bord à bord » est fortement recommandée.
- Pour lever et positionner l'équipement en toute sécurité, faites-vous toujours aider par une autre personne ou utilisez un dispositif de levage mécanique.
- Serrez fermement les vis, mais sans excès. Un serrage excessif peut endommager les composants et en réduire considérablement la capacité de support.
- Ce produit est conçu uniquement pour un usage intérieur. L'utilisation de ce produit à l'extérieur peut causer une défaillance du produit et des blessures corporelles.
- Ce produit a été conçu uniquement pour une installation sur les types de murs ci-dessous :

TYPE DE MUR

- Montant en bois
- Poutre en bois
- Béton plein
- Bloc de béton de mâchefer
- Montant métallique
- Brique
- Autre, ou vous n'êtes pas sûr ?

PIÈCES DE FIXATION REQUISES

- Incluses
- Incluses
- Incluses
- Incluses
- Ne pas installer sur ce type de mur sauf à l'aide de l'ensemble d'accessoires Peerless pour montants métalliques (non évalué UL)
- Contacteur un professionnel qualifié (non évalué UL)
- Contacteur un professionnel qualifié

Outils nécessaires au montage

- localisateur de montants (un localisateur de montants « bord à bord » est recommandé.)
- perceuse
- foret de 5mm (3/16 po) pour montants en bois
- foret à maçonnerie de 10mm (3/8 po) pour béton
- clé à douille de 7/16 po avec extension (recommandé)
- niveau
- tournevis Phillips

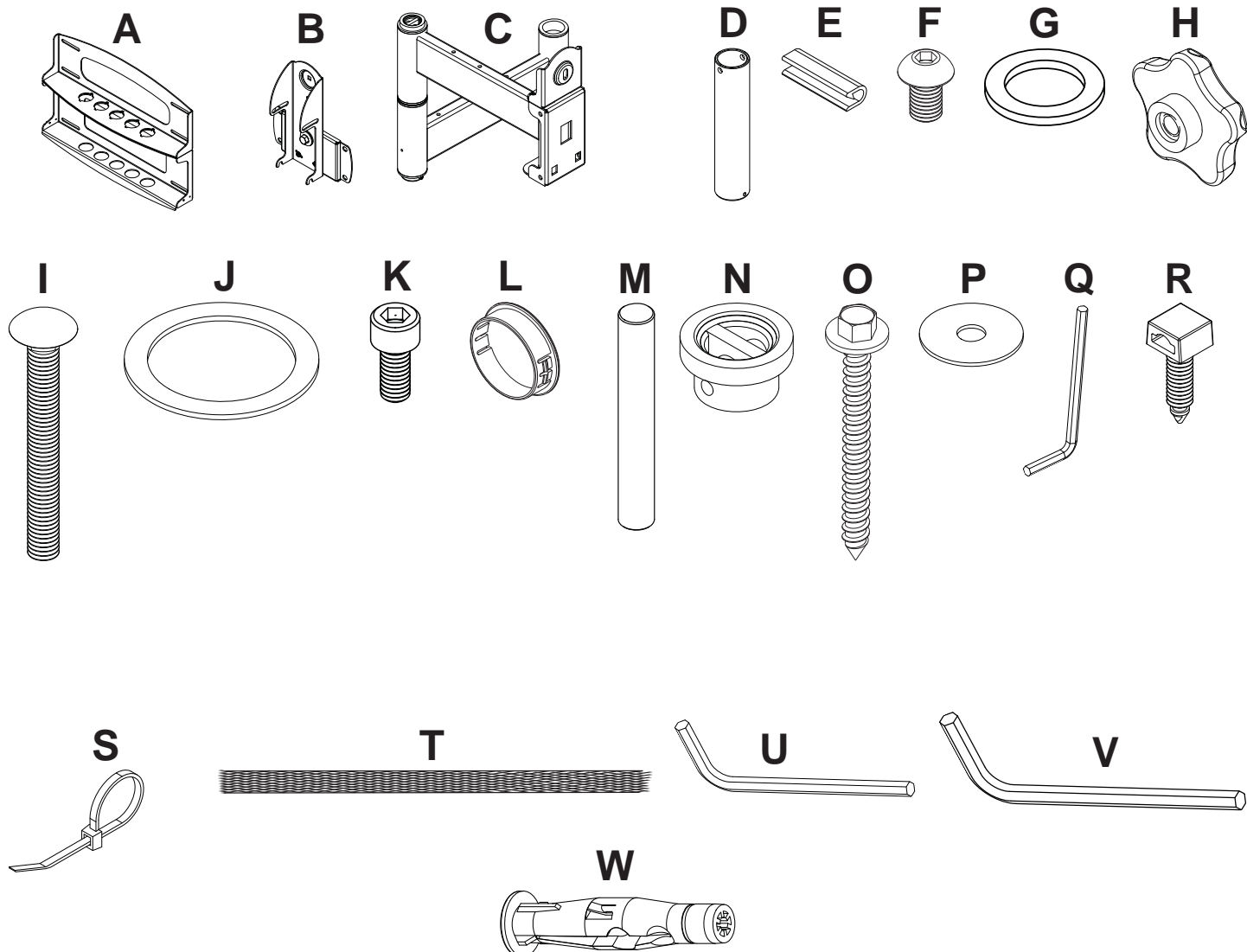
Accessoires

- Plaque murale extérieure (WSP716, WSP716-S, WSP724, WSP724-S) (Le montant métallique n'a pas été évalué par l'UL)

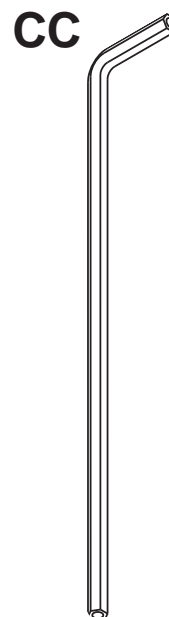
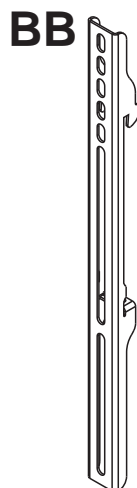
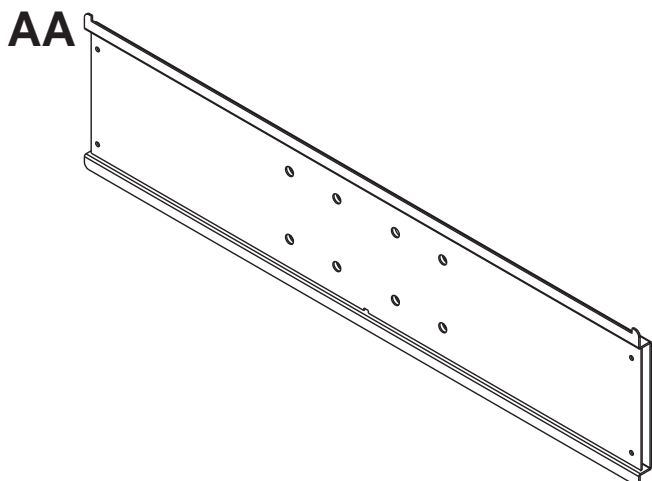
Table des matières

| | |
|---|--------|
| Liste des pièces..... | 29, 30 |
| Installation sur un mur à doubles montants en bois | 31 |
| Installation sur du béton plein ou un bloc de béton de mâchefer | 32 |

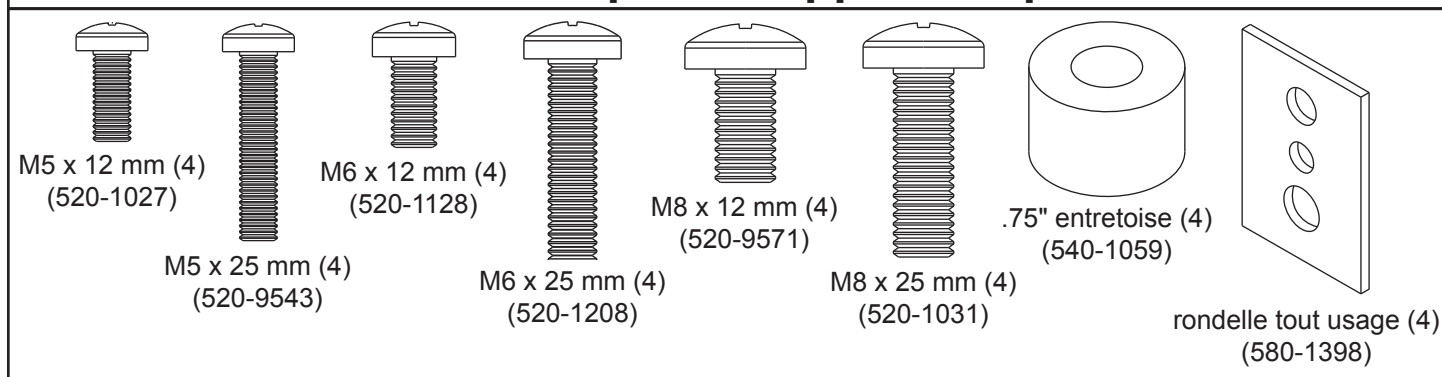
| Liste des pièces Description | Qté | PLA60-UNLP-GB | PLA60-UNLP-GS | PLA60-UNL | | PLAV60-UNL | PLAV60-UNL-S | PLAV60-UNL-S |
|---|-----|---------------|---------------|-----------|----------|------------|--------------|--------------|
| | | Pièce n° | Pièce n° | Pièce n° | Pièce n° | Pièce n° | Pièce n° | Pièce n° |
| A plaque murale | 1 | 201-P1040 | 201-C4040 | 201-1040 | 201-4040 | 201-1040 | 201-1040 | 201-1040 |
| B support inclinable et rotatif | 1 | 201-P1093 | 201-C4093 | 201-1093 | 201-4093 | 201-1048 | 201-1048 | 201-1048 |
| C bras articulé | 1 | 201-P1072 | 201-C4072 | 201-1072 | 201-4072 | 201-1049 | 201-1049 | 201-1049 |
| D axe du support mural | 1 | 201-1041 | 201-1041 | 201-1041 | 201-1041 | 201-1041 | 201-1041 | 201-1041 |
| E bordure en vinyle | 3 | 600-1012 | 600-1012 | 600-1012 | 600-1012 | 600-1012 | 600-1012 | 600-1012 |
| F boulon à vis M10 x 1,5 x 15 mm | 8 | 520-9262 | 520-9262 | 520-9262 | 520-9262 | 520-9262 | 520-9262 | 520-9262 |
| G rondelle 0,505 x .75 x 0,062 po | 1 | 540-1074 | 540-1074 | 540-1074 | 540-1074 | 540-1074 | 540-1074 | 540-1074 |
| H molette | 1 | 560-0108 | 560-0108 | 560-0108 | 560-0108 | 560-0108 | 560-0108 | 560-0108 |
| I boulon 3/8 -16 x 3,25 po | 1 | 520-1315 | 520-1315 | 520-1315 | 520-1315 | 520-1315 | 520-1315 | 520-1315 |
| J rondelle 1,525 x 2 x 0,062 po | 2 | 540-1070 | 540-1070 | 540-1070 | 540-1070 | 540-1070 | 540-1070 | 540-1070 |
| K vis d'assemblage à tête creuse | 1 | 520-1210 | 520-1210 | 520-1210 | 520-1210 | 520-1210 | 520-1210 | 520-1210 |
| L embout de finition en plastique | 8 | 590-1123 | 590-1123 | 590-1123 | 590-1123 | 590-1123 | 590-1123 | 590-1123 |
| M tige de fixation | 1 | 580-1166 | 580-1166 | 580-1166 | 580-1166 | 580-1166 | 580-1166 | 580-1166 |
| N bouchon de sûreté | 1 | 590-1007 | 590-1007 | 590-1007 | 590-1007 | 590-1007 | 590-1007 | 590-1007 |
| O vis à bois de 5/16 x 3 po | 8 | 520-1243 | 520-1243 | 520-1243 | 520-1243 | 520-1243 | 520-1243 | 520-1243 |
| P rondelle de 0,250 x 1 x 0,068 po | 8 | 540-1063 | 540-1063 | 540-1063 | 540-1063 | 540-1063 | 540-1063 | 540-1063 |
| Q clé hexagonale de 9/64 po | 1 | 560-9728 | 560-9728 | 560-9728 | 560-9728 | 560-9728 | 560-9728 | 560-9728 |
| R serre-câble | 4 | 590-1166 | 590-1166 | 590-1166 | 590-1166 | 590-1166 | 590-1166 | 590-1166 |
| S attache de câble | 4 | 590-1168 | 590-1168 | 590-1168 | 590-1168 | 590-1168 | 590-1168 | 590-1168 |
| T enveloppe en maille polyester | 1 | 600-1015 | 600-1015 | 600-1015 | 600-1015 | 600-1015 | 600-1015 | 600-1015 |
| U clé hexagonale de 6 mm | 1 | 560-9716 | 560-9716 | 560-9716 | 560-9716 | 560-9716 | 560-9716 | 560-9716 |
| V clé hexagonale de 10 mm | 1 | - | - | - | - | 560-9727 | 560-9727 | 560-9727 |
| W cheville d'ancrage | 8 | 590-0321 | 590-0321 | 590-0321 | 590-0321 | 590-0321 | 590-0321 | 590-0321 |



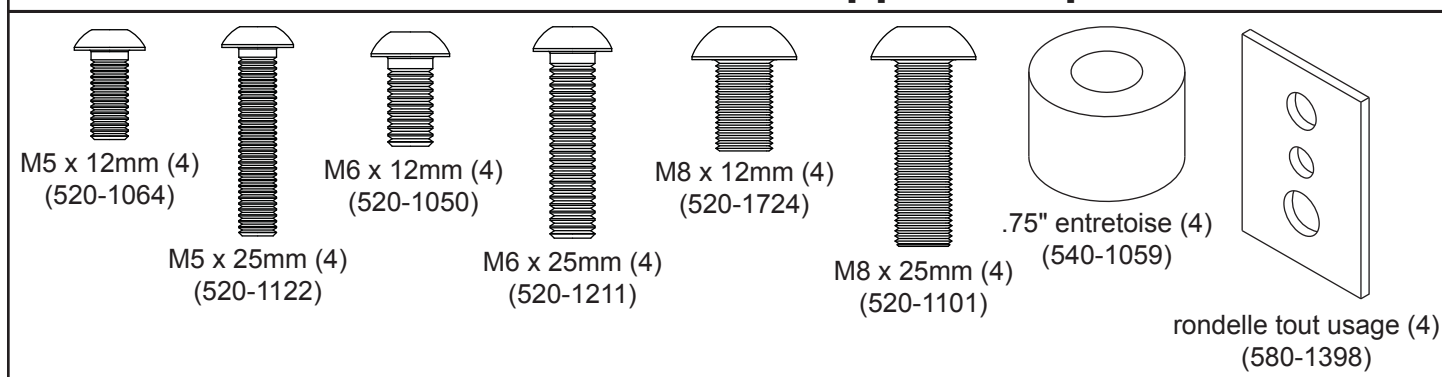
| Description | Qté | PLA60-UNL | PLA60-UNLP | PLA60-UNLP-S | PLA60-UNLP-S | PLA60-UNLP-S | PLA60-UNLP-S |
|-----------------------------------|-----|------------|--------------|--------------|---------------|---------------|---------------|
| | | PLAV60-UNL | PLAV60-UNL-S | PLAV60-UNLP | PLAV60-UNLP-S | PLAV60-UNLP-S | PLAV60-UNLP-S |
| | | Pièce n° | Pièce n° | Pièce n° | Pièce n° | Pièce n° | Pièce n° |
| AA support adaptateur | 1 | 201-1110 | 201-4110 | 201-1110 | 201-4110 | 201-1110 | 201-C4110 |
| BB support adaptateur peu profond | 2 | 202-1655 | 202-4655 | 202-1656 | 202-4656 | 202-1656 | 202-C4656 |
| CC clé hexagonale 4mm | 1 | 560-9646 | 560-9646 | 560-9646 | 560-9646 | 560-9646 | 560-9646 |



Fixations Phillips du support adaptateur



Fixations de sécurité du support adaptateur



Installation sur des murs à montants en bois

⚠ AVERTISSEMENT

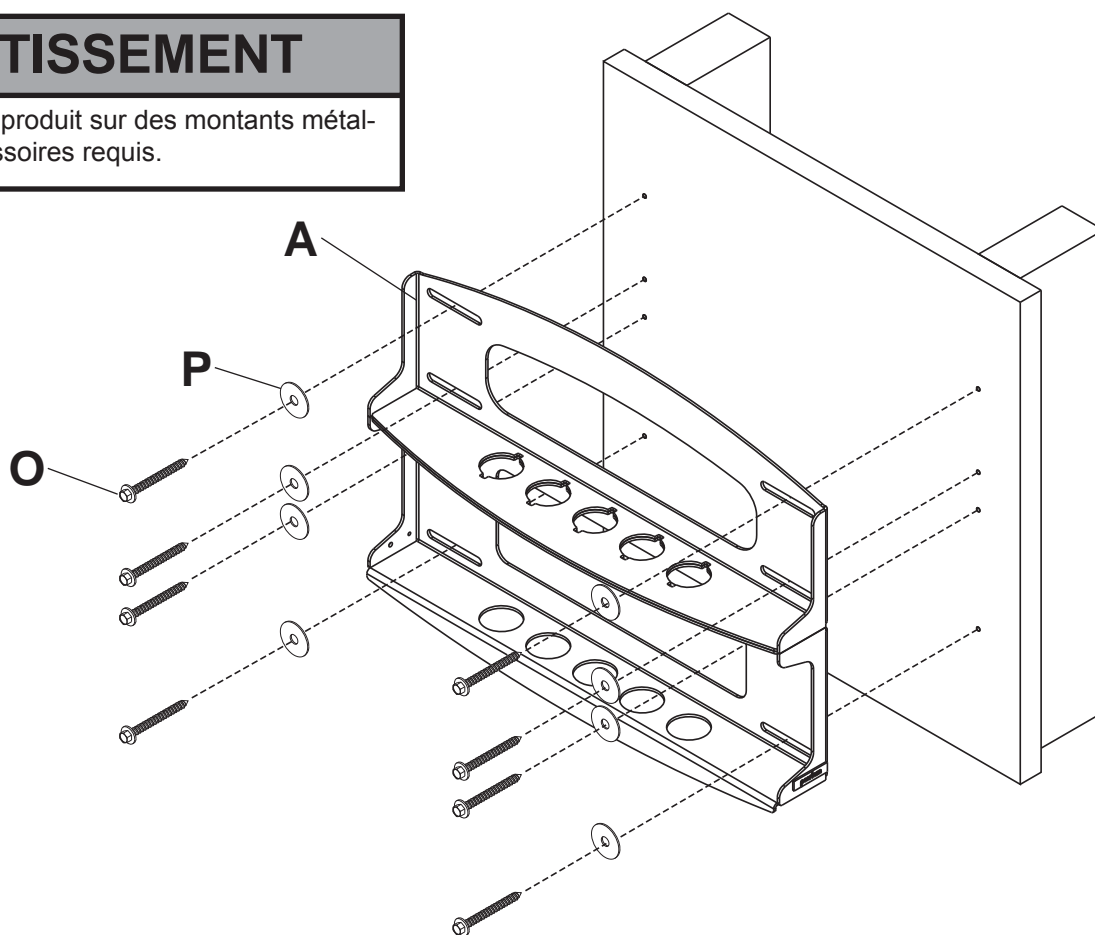
- L'installateur doit s'assurer que la surface de support puisse soutenir sans danger la charge totale de l'équipement ainsi que des pièces et composants qui y sont attachés.
- Serrez fermement les vis à bois pour que la plaque murale tienne solidement en place, mais sans excès. Un serrage excessif peut endommager les vis et en réduire considérablement le pouvoir de maintien.
- Ne serrez jamais à plus de 80 po-lb (9 Nm).
- Ne pas monter directement sur un mur à montants métalliques. Il est nécessaire d'utiliser une plaque murale WSP afin de fixer le support à des montants métalliques (veuillez vous adresser au service à la clientèle). L'installation sur montants métalliques n'a pas été évaluée par l'UL.
- Assurez-vous que les vis de montage sont fixées au centre des montants. L'utilisation d'un localisateur de montants "bord à bord" est fortement recommandée.
- Les pièces de fixations fournies sont prévues pour une installation du support sur des montants en bois à travers une cloison sèche ou du plâtre d'épaisseur standard. Il est de la responsabilité de l'installateur de fournir les pièces de fixation requises pour tout autre type d'installation.
- Ne dépassez jamais la capacité de charge maximum de 175 lb (79 kg) établie par l'UL.

- 1** La plaque murale (**A**) peut être installée à deux montants espacés de 16 po. Repérez le bord des montants à l'aide d'un localisateur de montants. L'utilisation d'un localisateur de montants « bord à bord » est fortement recommandée. Après avoir repéré les bords, tracez une ligne verticale le long du centre de chaque montant. Posez la plaque murale sur le mur et utilisez-la comme gabarit. Les fentes de montage supérieures doivent être situées de l'endroit souhaité pour le centre de l'écran. Mettez la plaque à niveau et marquez le centre des huit trous de fixation. Veillez à ce que les trous de fixation soient sur la ligne médiane du montant. Percez huit trous de 3/16 po (5mm) de dia. et de 3 po (76mm) de profondeur. Veillez à ce que la plaque murale soit de niveau et fixez-la à l'aide de huit vis à bois de 5/16 x 3 po (**O**) et des rondelles (**P**).

Passez à l'étape 2

⚠ AVERTISSEMENT

- N'installez jamais ce produit sur des montants métalliques sans les accessoires requis.



Installation sur du Béton Plein ou un Bloc de Béton de Mâchefer

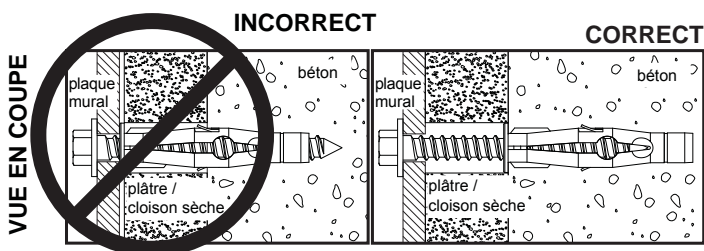
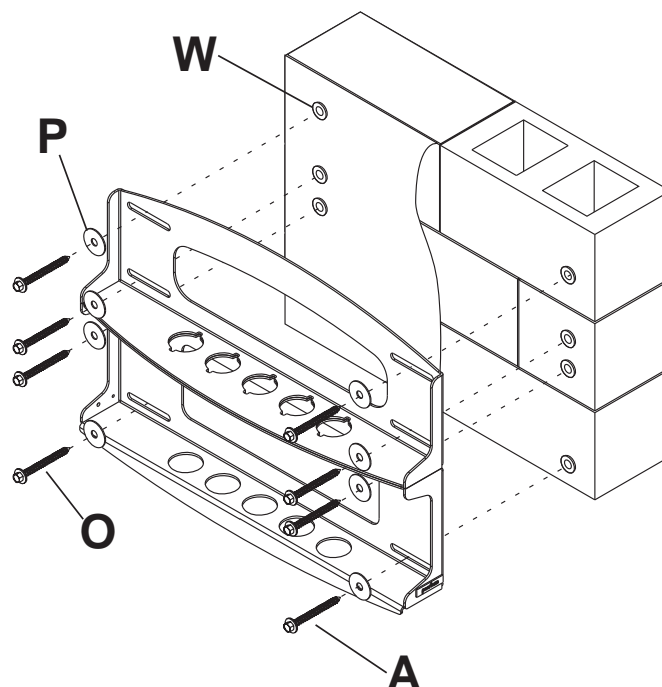
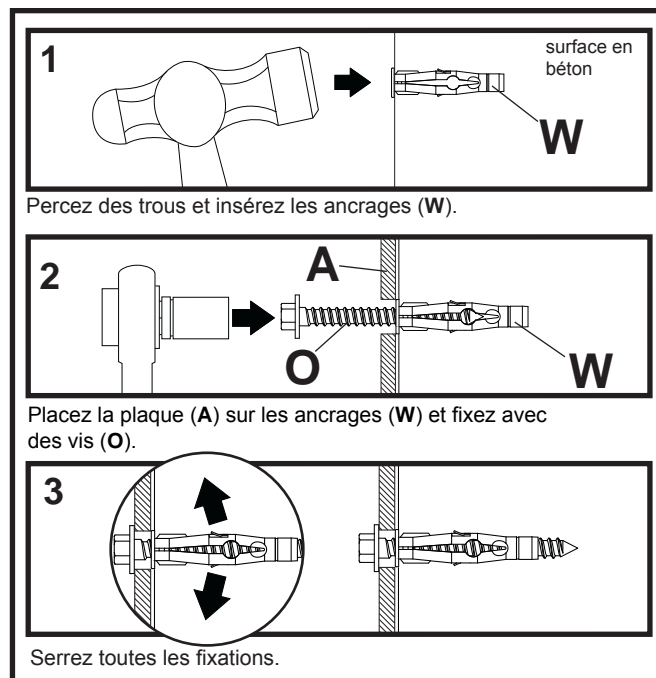
⚠ AVERTISSEMENT

- Si vous installez des montures murales Peerless sur un bloc de béton de mâchefer, vérifiez que vous disposez d'une épaisseur de béton d'au moins 35mm (1 3/8 po) dans le trou destiné aux ancrages de béton. Ne percez pas dans les joints de mortier ! Veillez à effectuer le montage dans une partie pleine du bloc, généralement à au moins 25mm (1 po) du côté du bloc. Le bloc de béton de mâchefer doit être conforme aux spécifications de l'ASTM C-90. Pour percer le trou, il est conseillé d'utiliser une perceuse électrique standard sur un réglage bas au lieu d'un marteau perforateur, afin d'éviter de briser la partie arrière du trou lorsque vous pénétrez un vide ou une cavité.
- Le béton doit avoir une densité minimum de 2 000 psi. Un béton de densité moindre risquerait de ne pas retenir un ancrage de béton.
- Assurez-vous que la surface de support pourra soutenir sans danger la charge combinée de l'équipement, de toute sa visserie et de tous ses composants.

- 1** Utilisez la plaque murale (A) comme gabarit pour marquer l'emplacement des trous, en vous assurant qu'elle est de niveau. Les fentes de montage supérieures doivent être situées de l'endroit souhaité pour le centre de l'écran. Employez le peu de maçonnerie pour forer 3/8 po (10 millimètres) diamètre. trous à une profondeur minimum de 3 po (76 millimètres). Insérez les chevilles d'ancrage (W) dans les trous au ras du mur comme illustré (à droite). Placez la plaque murale (A) sur les chevilles et fixez-la à l'aide de vis à bois de 5/16 x 3 po (O) et des rondelles (P).

⚠ AVERTISSEMENT

- Serrez les vis de manière que la plaque murale soit fermement fixée, mais sans excès. Un serrage excessif peut endommager les vis et en réduire considérablement le pouvoir de maintien.
- Ne serrez jamais à plus de 9 Nm (80 po-lb).
- Fixez toujours des ancrages de béton directement sur du béton porteur.
- Ne fixez jamais d'ancrages sur du béton recouvert de plâtre, une cloison sèche ou autre matériau de finition. Si vous ne pouvez pas éviter d'effectuer le montage sur du béton recouvert d'une surface de finition, celle-ci doit être chambrée (non évaluées par l'UL), comme indiqué cidessous. Assurez-vous que les ancrages de béton ne se séparent pas du béton lorsque vous serrez les vis. Si l'épaisseur du plâtre / de la cloison sèche dépasse 16mm (5/8 po), des fixations adaptées devront être fournies par l'installateur (non évaluées par l'UL).



⚠ AVERTISSEMENT

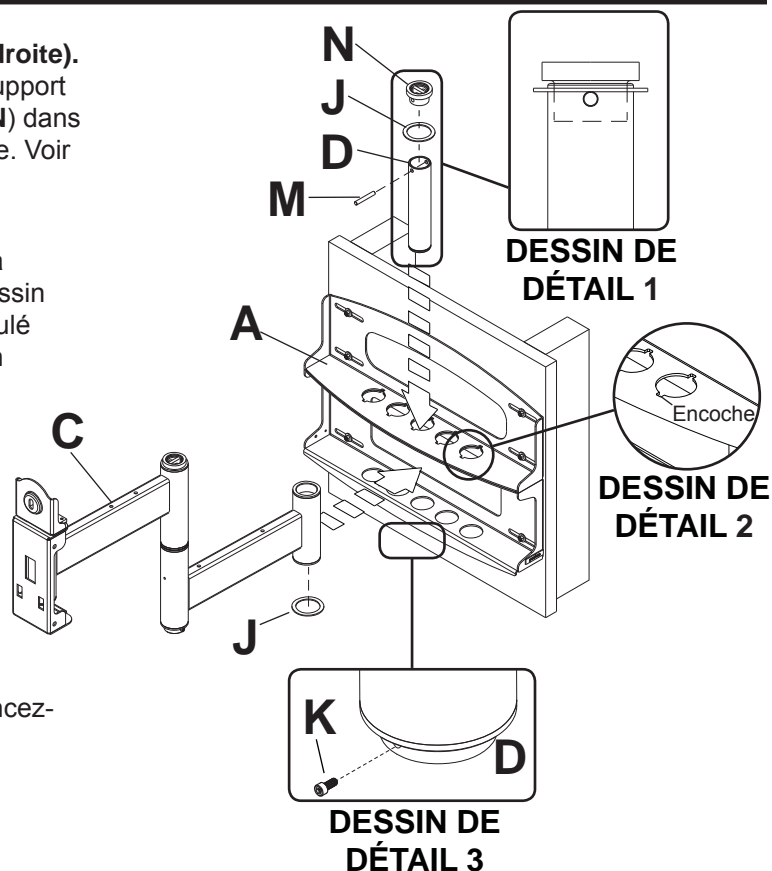
- Si vous n'êtes pas certain que le produit est installé correctement, appelez le service à la clientèle.

2 Remarque : Il y a cinq positions de montage possibles. La position centrale est illustrée (à droite). Faites glisser la rondelle (J) par dessus l'axe du support mural (D). Insérez ensuite l'embout en plastique (N) dans l'axe. Puis, insérez la tige de fixation (M) dans l'axe. Voir le dessin de détail 1.

2-1 Placez le bras articulé (C) et la rondelle (J) dans la plaque murale (A). Insérez l'axe illustré dans le dessin de détail 1 dans la plaque murale (A), le bras articulé (C), et la rondelle (J). Faites tenir l'axe en place en alignant la tige de fixation (M) sur les encoches tel qu'illustré dans le dessin de détail 2.

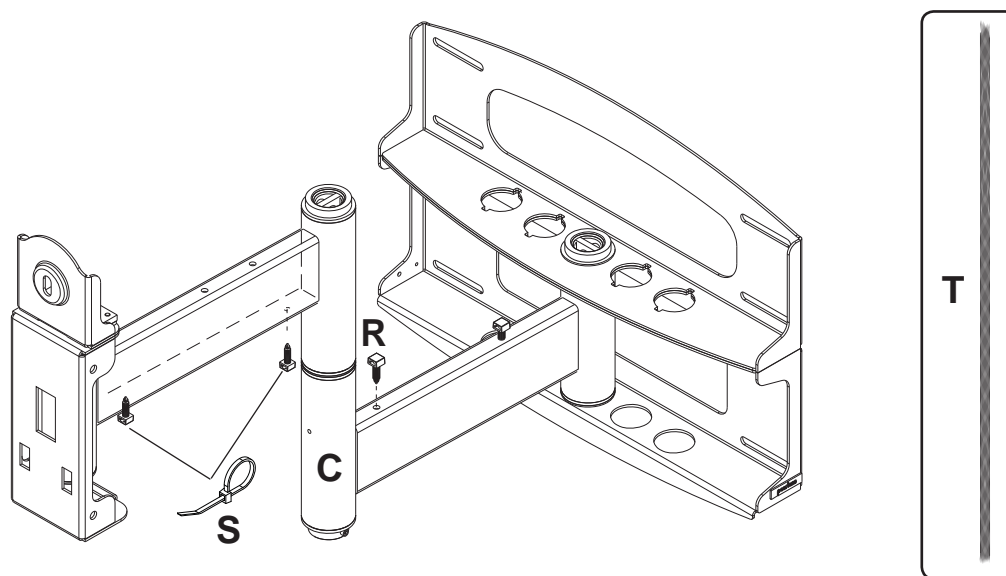
2-2 Insérez la vis d'assemblage à tige creuse (K) dans le trou situé au bas de l'axe du support mural (D) comme illustré dans le dessin de détail 3. Serrez la vis à l'aide d'une clé hexagonale de 9/64 po (Q).

Remarque : L'ajustement de l'axe (D) à la plaque murale (A) et au bras articulé (C) sera serré. Enfoncez-le doucement à l'aide d'un marteau si nécessaire.

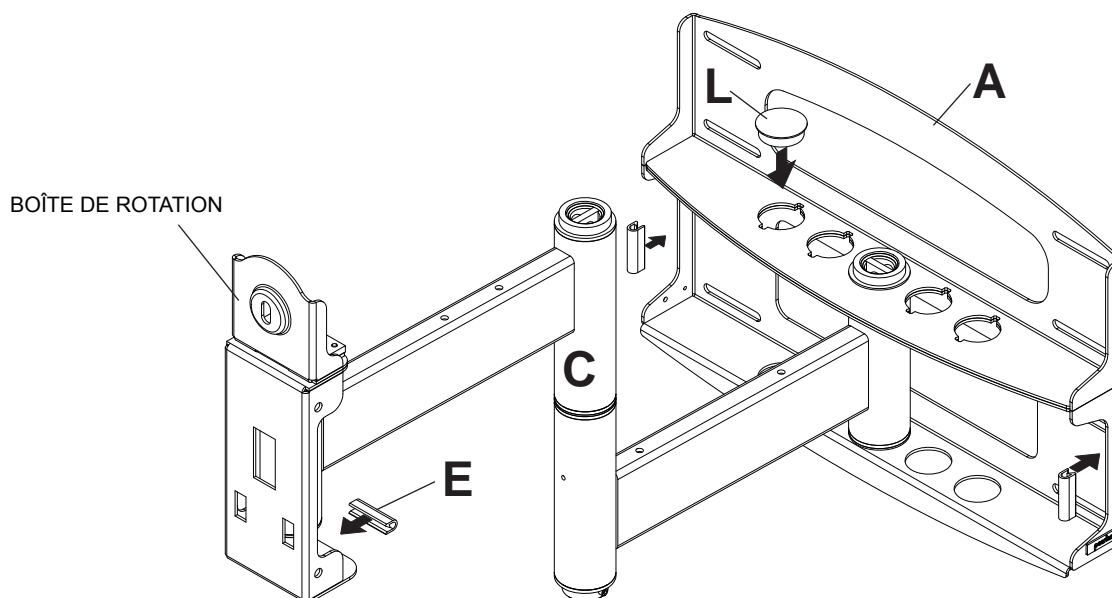


3 Pressez quatre serre-câbles (R) sur le dessus ou le dessous du bras articulé (C) comme illustré. Des attaches de câble (S) sont utilisées conjointement aux serre-câbles pour permettre l'organisation des câbles.

3-1 Faites glisser une enveloppe en maille (T) sur chaque câble. Utilisez les attaches de câble (S) pour resserrer les enveloppes en maille sur les câbles.



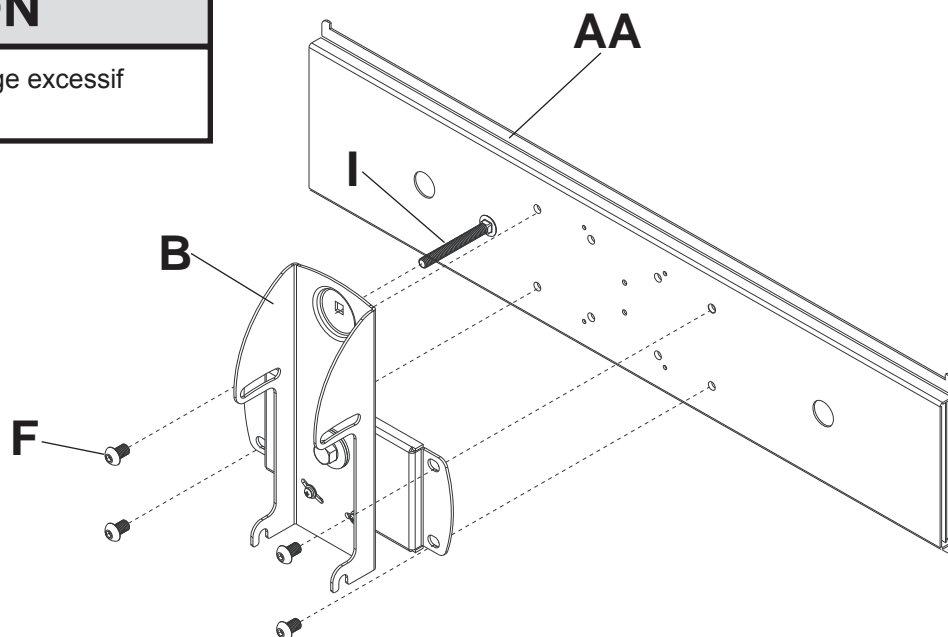
- 4 Attachez deux bordures en vinyle (E) à la plaque murale (A). Attachez ensuite une bordure en vinyle au bas de la boîte de rotation du bras articulé (C).
- 4-1 Insérez un embout de finition (L) dans chaque trou inutilisé de la plaque murale (A).



- 5 Insérez le boulon de carrosserie (I) dans l'orifice supérieur support inclinable et rotatif (B) et maintenez-le avec du ruban adhésif. Fixez le support inclinable et rotatif au support adaptateur (AA) à l'aide de quatre vis M10 à tête creuse (F). Serrez les vis à l'aide d'une clé hexagonale de 6mm (U).

PRÉCAUTION

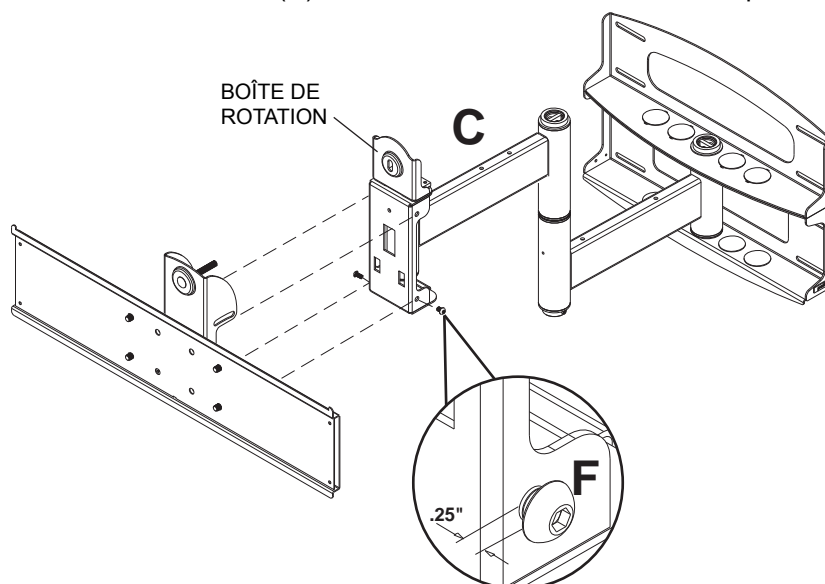
- Ne serrez pas trop les vis ! Un serrage excessif risque d'empêcher la rotation.



⚠ AVERTISSEMENT

- Pour lever et positionner le téléviseur plasma en toute sécurité, faites-vous aider par une autre personne ou utilisez un dispositif de levage mécanique.

- 6** Insérez deux vis M10 (**F**) dans la boîte de rotation du bras articulé (**C**) comme illustré. Laissez environ .25 po de filetage exposé.



- 6-1** Accrochez le support inclinable et rotatif (**B**) à des vis M10 (**F**). Insérez le boulon de carrosserie (**I**) dans la fente de la boîte de rotation comme illustré à la figure 6.1. Posez la rondelle en nylon (**G**) et la molette de réglage de l'inclinaison (**H**).

- 6-2** Posez les deux vis M10 restantes (**F**) comme illustré à la figure 6.2. **SERREZ À LA MAIN** les quatre vis M10 pour permettre le réglage de l'inclinaison. Enlevez le ruban adhésif du boulon de carrosserie (**I**). Pour régler l'inclinaison, poussez le haut de l'écran plasma vers l'arrière pour réduire la pression sur la molette. Réglez l'inclinaison pour obtenir la position souhaitée et serrez la molette de réglage de l'inclinaison (**H**), puis serrez fermement les quatre vis M10 (**F**) à l'aide d'une clé hexagonale de 6mm (**U**).

Le support adaptateur n'est pas illustré pour plus de clarté.

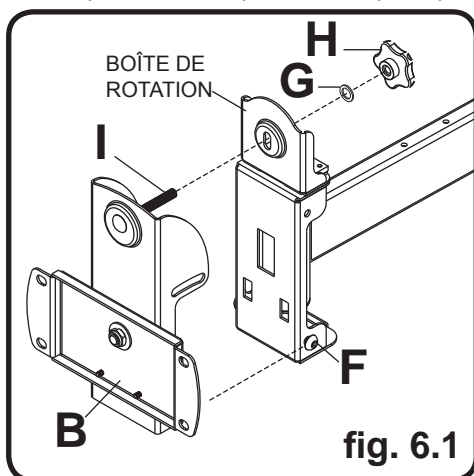


fig. 6.1

PRÉCAUTION

- Une fois l'inclinaison réglée, toutes les fixations doivent être resserrées. Sinon, vous risqueriez de causer des dommages importants au support.

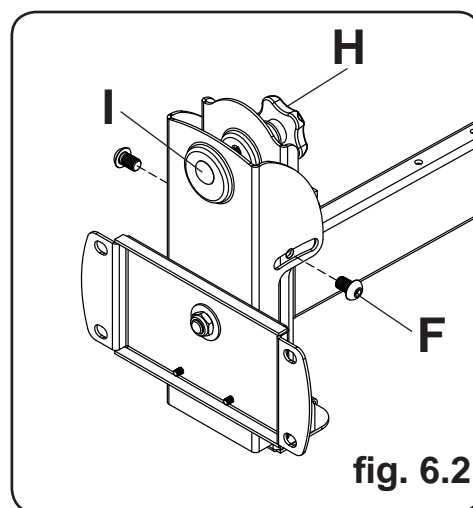


fig. 6.2

Le support adaptateur n'est pas illustré pour plus de clarté.

⚠ AVERTISSEMENT

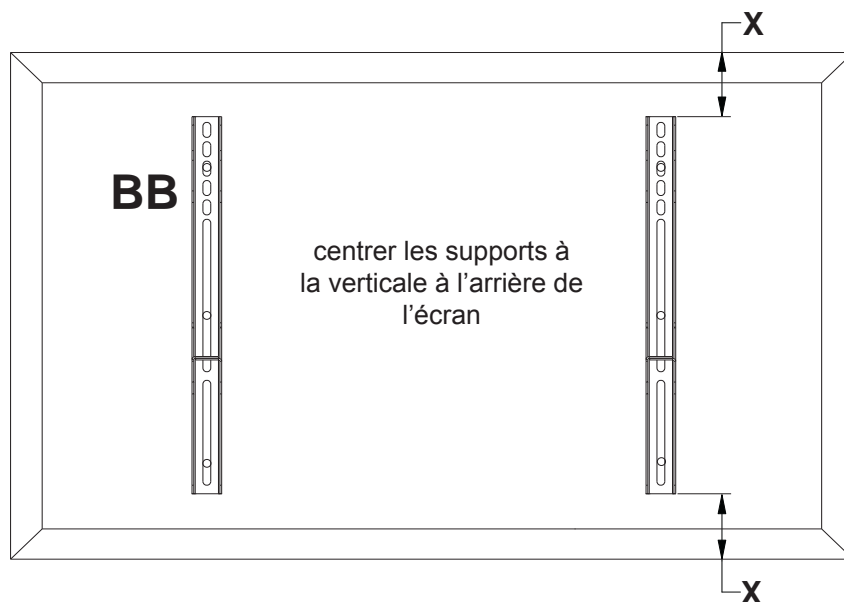
- Serrez les vis de manière à ce que les supports adaptateurs tiennent solidement en place. N'exercez pas une force excessive. Un serrage excessif peut endommager les vis, réduire considérablement leur capacité de support et, éventuellement, faire tomber les têtes de vis. Serrez à un couple maximal de 40 po-lb (4,5 Nm).
- Si les vis ne sont pas enfoncées de trois tours complets dans les inserts ou si elles sont serrées au maximum sans parvenir à fixer solidement le support, l'écran peut être abîmé ou le produit détérioré.

7 Afin d'éviter d'égratigner l'écran, posez un morceau de tissu sur une surface plane et de niveau qui peut supporter le poids de l'écran. Déposez l'écran à plat, tourné vers le bas. Si l'écran possède des boutons à l'arrière, enlevez-les pour pouvoir attacher les supports adaptateurs. Placez les supports adaptateurs (**BB**) à l'arrière de l'écran, alignez-les sur les trous et centrez-les sur l'arrière de l'écran, comme illustré ci-dessous. Fixez les supports adaptateurs à l'arrière de l'écran à l'aide des vis, rondelles universelles et entretoises appropriées, comme illustré sur la figure 7.1 ou 7.2.

REMARQUE : Les trous supérieurs et inférieurs doivent toujours être utilisés.

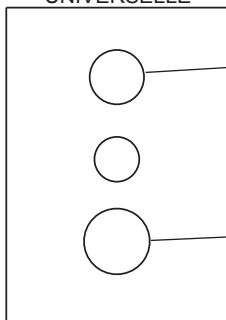
Veillez à ce que tous les trous soient bien alignés, puis serrez les vis à l'aide d'un tournevis Phillips.

REMARQUE : Si vous utilisez des vis de sécurité, serrez-les à l'aide d'une clé de sécurité hexagonale (**CC**).



Remarque : les dimensions de " X "doivent être égales.

RONDELLE
UNIVERSELLE



TROU MOYEN POUR VIS M5

GROS TROU POUR VIS M6

REMARQUES:

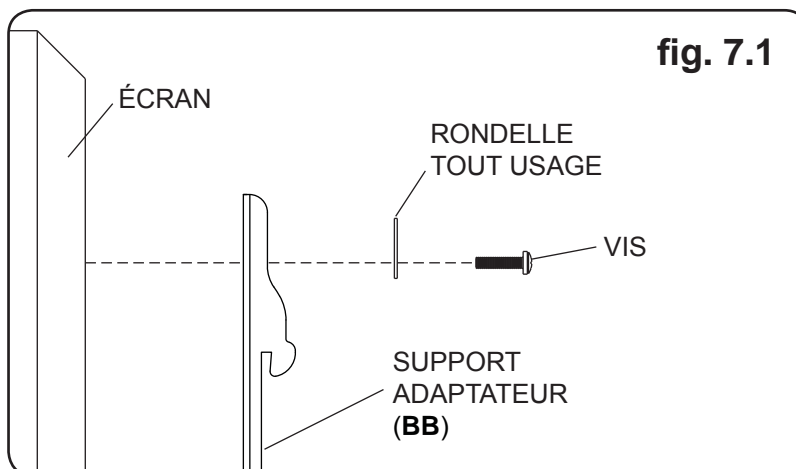
- Le nombre de fixations utilisées varie suivant le type d'écran.
- Il est possible que les rondelles universelles et les entretoises ne soient pas utilisées, suivant le type d'écran.
- Utilisez le trou correspondant dans la rondelle universelle adaptée à la taille de l'écran, comme illustré.

REMARQUE : Pour les écrans à dos plat, exécutez l'étape 7-1. Pour les écrans à dos convexes ou concaves passez à l'étape 7-2.

Pour les écrans à dos plat

7-1 Commencez par la vis la plus courte et vissez-la manuellement à l'écran en la faisant passer à travers la rondelle tout usage et le support adaptateur, comme indiqué ci-dessous. La vis doit effectuer au moins trois tours complets dans le trou de fixation et tenir solidement en place. Ne pas trop serrer. S'il est impossible d'effectuer trois tours de vis complets, choisissez une vis plus longue dans le jeu de fixations à compartiments. Répétez pour le reste des trous de fixations, mettez les supports à niveau et resserrez les vis.

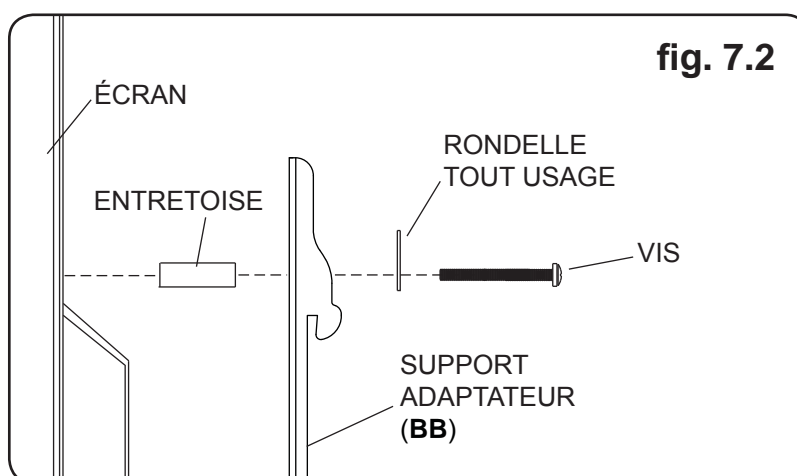
REMARQUE : Il n'est pas toujours nécessaire d'utiliser des entretoises, selon le type d'écran.



Pour toute question, veuillez appeler le service à la clientèle de Peerless au **1-800-865-2112**.

Pour un écran à dos convexe ou concave

7-2 Commencez par la vis la plus longue et vissez-la manuellement à l'écran en la faisant passer à travers la rondelle tout usage, le support adaptateur et l'entretoise comme indiqué ci-dessous. La vis doit effectuer au moins trois tours complets dans le trou de fixation et tenir solidement en place. Ne pas trop serrer. S'il est impossible d'effectuer trois tours de vis complets, choisissez une vis plus longue dans le jeu de fixations à compartiments. Répétez pour le reste des trous de fixation, mettez les supports à niveau et resserrez les vis.



Pour toute question, veuillez appeler le service à la clientèle de Peerless au **1-800-865-2112**.

Montage et démontage d'un écran plat

⚠ AVERTISSEMENT

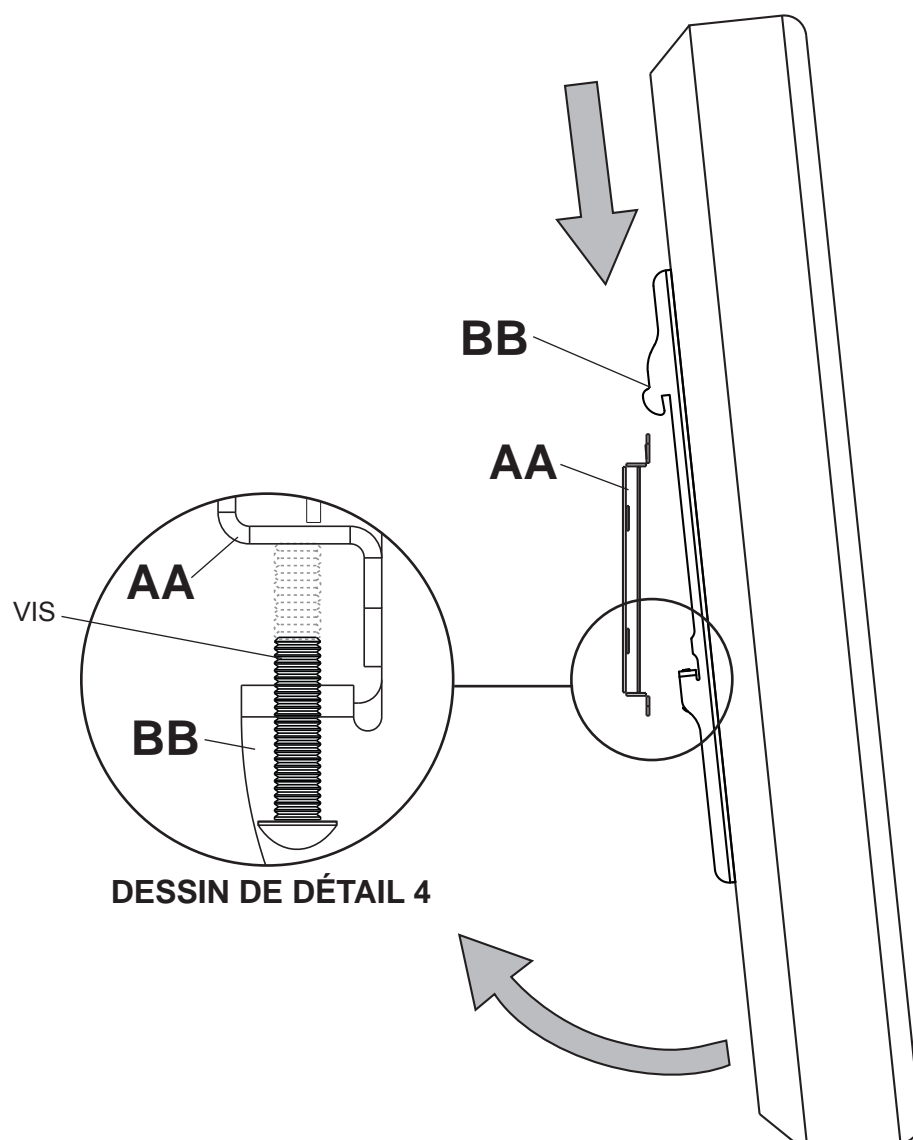
- Pour lever et positionner le téléviseur plasma en toute sécurité, faites-vous toujours aider par une autre personne ou utilisez un dispositif de levage mécanique.

8 Veuillez vous reporter à la feuille d'instructions pour la fixation du support adaptateur au support.

Accrochez les supports adaptateurs (**BB**) au support adaptateur (**AA**), puis faites pivoter lentement l'écran comme illustré. Faites au moins six tours de vis dans le sens des aiguilles d'une montre pour vous assurer que l'écran ne puisse se détacher comme illustré dans le dessin de détail 4. Serrez les vis à l'aide d'une clé hexagonale (**CC**). L'écran peut être réglé horizontalement si désiré.

Remarque : Pour verrouiller l'écran en place, vissez-le au support adaptateur comme illustré dans le dessin de détail 4.

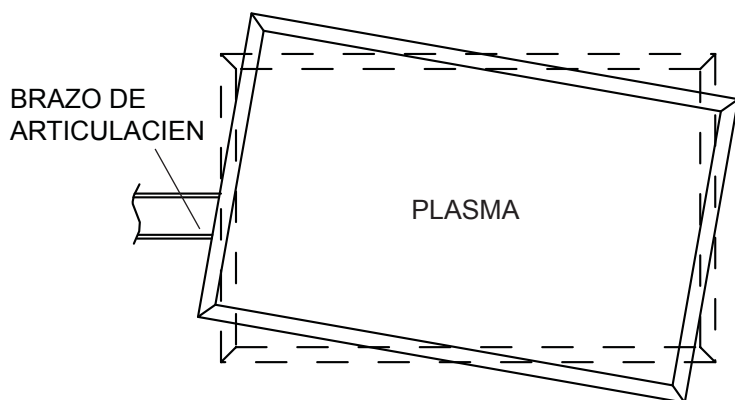
Pour retirer l'écran du support, desserrez les vis, faites pivoter l'écran hors du support et soulevez-le.



9 Selon les dimensions et le poids de l'écran plasma, le support mural articulé peut s'incliner dans différents angles, ce qui peut donner l'impression qu'il penche de côté dans certaines positions. Le support inclinable et rotatif (B) permet de régler manuellement l'écran plasma afin qu'il soit à l'horizontale dans toutes les positions. Réglez l'écran plasma en le faisant doucement pivoter manuellement dans la position souhaitée.

9-1 S'il est trop difficile de régler la rotation de l'écran, desserrez les vis comme illustré à la figure 9.1 à l'aide d'un tournevis Phillips.

IMPORTANT ! Ne pas desserrer ni serrer les vis de plus de 1/8 de tour.



POUR LE MODÈLE PLAV 60 UNIQUEMENT :

10 La position de l'écran peut être réglée verticalement jusqu'à 0,79 po dans chaque direction de la façon suivante :

- Pour baisser l'écran, serrez la vis à tête creuse illustrée à la figure 10.1 dans le sens des aiguilles d'une montre à l'aide d'une clé hexagonale de 10mm (V).
- Pour remonter l'écran, serrez la vis à tête creuse illustrée à la figure 10.1 dans le sens contraire des aiguilles d'une montre à l'aide d'une clé hexagonale de 10mm (V).

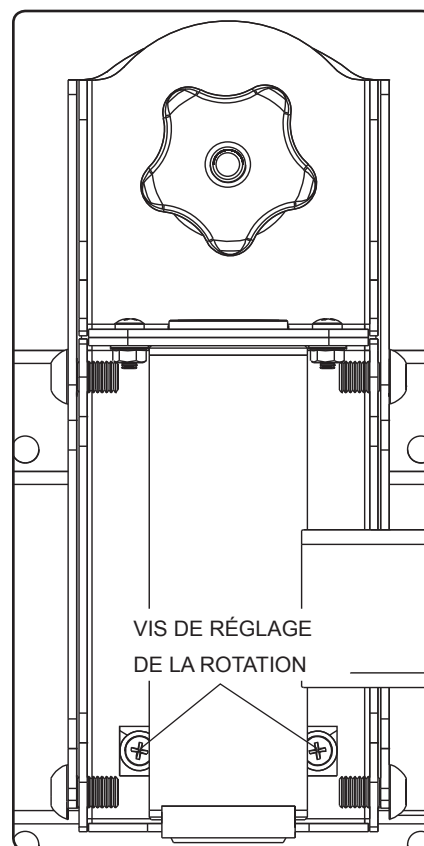


fig. 9.1

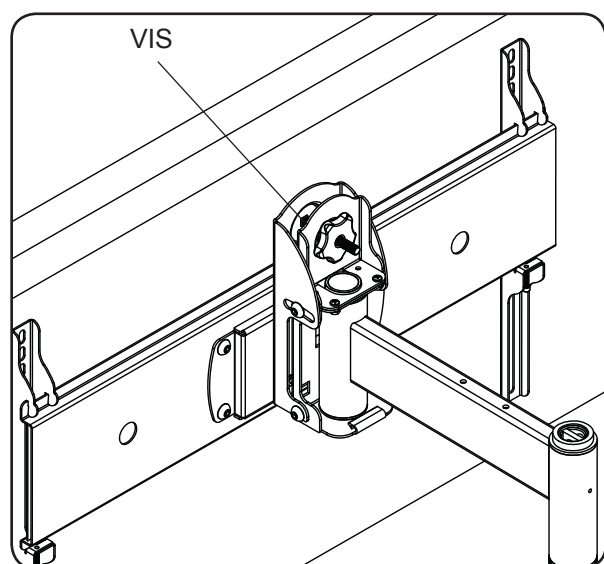


fig. 10.1

LIMITED FIVE-YEAR WARRANTY

Peerless Industries, Inc. ("Peerless") warrants to original end-users of Peerless® products will be free from defects in material and workmanship, under normal use, for a period of five years from the date of purchase by the original end-user (but in no case longer than six years after the date of the product's manufacture). At its option, Peerless will repair or replace, or refund the purchase price of, any product which fails to conform with this warranty.

In no event shall the duration of any implied warranty of merchantability or fitness for a particular purpose be longer than the period of the applicable express warranty set forth above. Some states do not allow limitations on how long an implied warranty lasts, so the above limitation may not apply to you.

This warranty does not cover damage caused by (a) service or repairs by the customer or a person who is not authorized for such service or repairs by Peerless, (b) the failure to utilize proper packing when returning the product, (c) incorrect installation or the failure to follow Peerless' instructions or warnings when installing, using or storing the product, or (d) misuse or accident, in transit or otherwise, including in cases of third party actions and force majeure.

In no event shall Peerless be liable for incidental or consequential damages or damages arising from the theft of any product, whether or not secured by a security device which may be included with the Peerless® product. Some states do not allow the exclusion or limitation of incidental or consequential damages, so the above limitation or exclusion may not apply to you.

This warranty is in lieu of all other warranties, expressed or implied, and is the sole remedy with respect to product defects. No dealer, distributor, installer or other person is authorized to modify or extend this Limited Warranty or impose any obligation on Peerless in connection with the sale of any Peerless® product.

This warranty gives specific legal rights, and you may also have other rights which vary from state to state.



www.peerless-av.com

© 2014 Peerless Industries, Inc.

Español

GARANTÍA LIMITADA DE CINCO AÑOS

Peerless Industries, Inc. (Peerless) les garantiza a los usuarios finales originales de los productos Peerless® que los productos Peerless® estarán libres de defectos de materiales o de manufactura, en condiciones de uso normal, durante un periodo de cinco (5) años a partir de la fecha en la que el usuario final original compre cualquier producto (pero, en ningún caso, durante un periodo mayor de 6 años después de la fecha de manufactura del producto). Queda a la discreción de Peerless, reparar, reemplazar o rembolsar el precio de compra de cualquier producto que no cumpla esta garantía.

La duración de toda garantía implícita de comerciabilidad o de idoneidad para un propósito en particular no sobrepasará en caso alguno el periodo de vigencia de la garantía explícita correspondiente indica en lo anterior. Algunos Estados no permiten que se establezcan limitaciones en relación con el periodo de duración de una garantía implícita, de manera que es posible que la limitación expuesta en lo anterior no sea pertinente a usted.

Esta garantía no cubre daños causados por (a) trabajos de mantenimiento o de reparación hechos por el cliente o alguna persona que no esté autorizada por Peerless para realizar dichos trabajos de mantenimiento o de reparación, (b) no empacar el producto como es debido si lo devuelve, (c) hacer una instalación incorrecta o no seguir las instrucciones o las advertencias de Peerless al instalar, utilizar o guardar el producto o (d) el mal uso o los accidentes, en tránsito o en otras circunstancias, incluidos los casos relacionados con las acciones de terceros o una fuerza mayor.

Peerless no tendrá responsabilidad en ningún caso de daños y perjuicios incidentales o indirectos o de daños y perjuicios que surjan por el robo de cualquier producto, ya sea que el mismo esté o no esté asegurado con un dispositivo de seguridad que se haya incluido con el producto de Peerless®. Algunos Estados no permiten que se excluyan o se establezcan limitaciones en relación con los daños y perjuicios incidentales o indirectos, de manera que es posible que la limitación o la exclusión expuesta en lo anterior no sea pertinente a usted.

Esta garantía reemplaza toda otra garantía, expresa o implícita, y es el único recurso en lo que respecta a los defectos del producto. Ningún concesionario, distribuidor, instalador ni ninguna otra persona está autorizada a modificar o extender esta Garantía Limitada ni a imponer obligación alguna a Peerless en relación con la venta de cualquier producto de Peerless®.

Esta garantía concede derechos específicos creados por ley y es posible que usted, además, tenga otros derechos que varían de acuerdo con el Estado donde se encuentre.



www.peerless-av.com

© 2014 Peerless Industries, Inc.

GARANTIE DE CINQ ANS

Peerless Industries, Inc. (« Peerless ») garantit aux utilisateurs finaux d'origine des produits Peerless^{MD} que lesdits produits ne présenteront aucun défaut de matériau ou de main-d'œuvre, dans la mesure où ils sont utilisés normalement, pendant une période de cinq ans à compter de la date d'achat par l'utilisateur final d'origine (mais en aucun cas plus de six ans après la date de fabrication du produit). Peerless, à sa discrétion, réparera ou remplacera tout produit non conforme aux termes de cette garantie, ou en remboursera le prix d'achat.

La durée de toute garantie implicite de qualité commerciale ou d'application à un usage particulier n'excédera en aucun cas la durée de la garantie applicable expressément stipulée plus haut. Certains états ou provinces n'autorisent pas la limitation de la durée d'une garantie implicite, et la limitation ci-dessus peut donc ne pas vous être applicable.

Cette garantie ne couvre pas les dommages causés par (a) un entretien ou des réparations effectués par l'acheteur ou une personne non autorisée par Peerless à effectuer un tel entretien ou de telles réparations, (b) un emballage inadéquat lors de l'expédition d'un produit retourné, (c) une installation incorrecte ou le non-respect des instructions ou mises en garde de Peerless lors de l'installation, l'utilisation ou le rangement du produit, ou (d) une mauvaise utilisation ou un accident survenu lors d'un transport ou autrement, y compris l'intervention de tiers et les cas de force majeure.

Peerless ne peut en aucun cas être tenu responsable de quelque dommage accessoire ou indirect que ce soit ni de dommages résultant du vol d'un quelconque produit, que celui-ci ait été ou non protégé par un dispositif de sécurité intégré à un produit Peerless^{MD}. Certains états ou provinces n'autorisent pas l'exclusion ou la restriction des dommages accessoires ou indirects, et il est possible que les restrictions ou exclusions ci-dessus ne s'appliquent pas à votre cas.

Les dispositions de cette garantie remplacent toute autre garantie expresse ou implicite et constituent le seul recours possible en cas de défectuosité d'un produit. Aucun marchand, distributeur, installateur ou autre personne n'est autorisé à modifier ou étendre la portée de cette garantie limitée, ni à imposer quelque obligation ce que soit à Peerless en ce qui concerne la vente de tout produit Peerless^{MD}.

Cette garantie offre des droits juridiques particuliers auxquels peuvent s'ajouter d'autres droits, susceptibles de varier d'une province ou d'un état à l'autre.



www.peerless-av.com

© 2014 Peerless Industries, Inc.

Patented. Utility Patent No. 7,722,002; 8,348,212; 8,517,322; 7,513,469.