

[Webinar](#) 



Native support in:  Square  shopify  sumup*

Compatible with:  Low Energy  iPhone | iPad | iPod  

Reads:



1D BARCODES, 2D BARCODES

XtremeScan Mag 641

Rugged Performance BYOD 1D/2D Bluetooth LE Barcode Scanners

BYOD | Entry-Level Scanning | Rugged IP67 Rated

Built for teams who rely on mobility and flexibility, the XtremeScan Mag 641 delivers rugged short-range 1D/2D scanning performance in a compact, BYOD-friendly design. The secure magnetic attachment system allows workers to quickly connect their preferred mobile device and begin scanning, providing a streamlined experience for fast-moving operations.



This product uses a Bluetooth LE (Low Energy) connection method that is different from our Bluetooth Classic data readers and **requires a supported software application.** Before purchasing, please confirm your app uses the latest version of Socket Mobile's [CaptureSDK](#) or [contact us](#) to discuss your requirements.

The XtremeScan Mag 641 pairs a rugged barcode scanner with a secure magnetic mounting system to create a versatile, high-performance tool for industrial workflows. Designed for fast-paced environments such as warehousing, logistics, and field service, the 641 supports efficient and consistent data capture throughout the workday.

With a reliable scan range of up to 20 inches, the 641 is well suited for close to mid-range scanning tasks including order picking, shelf labeling, package processing, and asset verification. Its omnidirectional scanning engine enables rapid reads from any angle, and the integrated precision aimer supports accurate targeting in a variety of lighting conditions.

The IP67-rated housing protects the scanner from dust, water, and accidental drops, ensuring dependable performance in challenging environments. The magnetic attachment system keeps the mobile device firmly in place during use while allowing quick detachment for device access or other mobile tasks. Bluetooth® Low Energy connectivity maintains a stable and power-efficient pairing to iOS, Android, and Windows devices, while the scanner's high-capacity battery provides full-shift operation.

Available Configurations

- **XtremeScan XS641 (Standard Handheld):**

Rugged handheld scanner with magnetic mounting system for secure, flexible device pairing. Perfect for mobile professionals using their own devices.

- **XtremeScan Grip XG641 (with Pistol Grip Handle):**

Same as XS641 but with an ergonomic pistol grip handle for comfortable point-and-scan operation during long shifts or heavy scanning tasks.

Available in the following bundles

- **XTREMESCAN-641 + [Charging Dock](#)** – For secure storage and convenient device charging between uses.
- **XTREMESCAN-641 + [Charging Dock w/ Vehicle Mount](#)** – Dock your reader into your vehicle with a pre-attached RAM® 1" Diamond Ball Mount. Compatible with thousands of RAM arms and bases.
- **XTREMESCAN-641 + [Holster](#)** – Easily connects to a belt or mounts to equipment for quick and easy access.

Magnetic Adapter Compatibility

To ensure proper magnetic attachment, please ensure your device is equipped with a compatible magnetic mounting system.

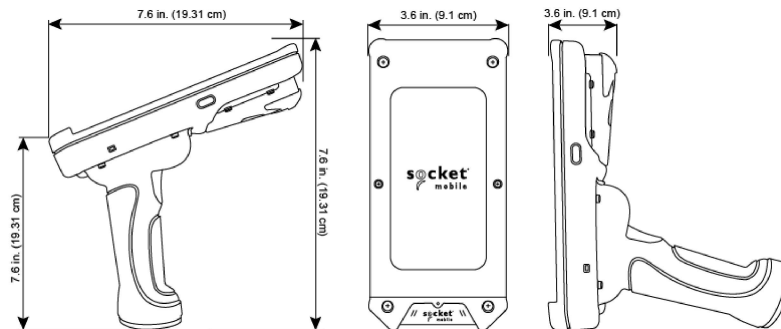
- **Rokform Case Users:** If you're using a Rugged Rokform Case for iPhone 15, 16, or 16e, no additional adapter is needed.
- **Other Phones:** For other devices, we recommend one of the following magnetic adapters from Rokform:
 - [Rokform MagSafe® Magnetic Universal Adapter](#) ↗
 - [Rokform Magnetic RokLock Plug](#) ↗
- **Tablets:** For tablet setups, we suggest the Oqtiq Magnetic Universal Strip as a reliable third-party option.

Features

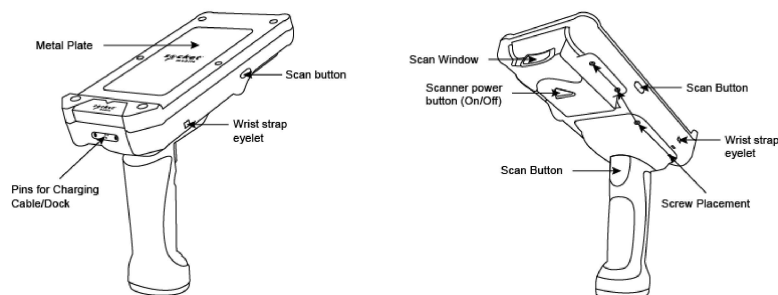
- **Rapid Scanning** — Fast 1D/2D scanning for both printed and on-screen barcodes, featuring omnidirectional capability for intuitive, rapid scanning.
- **Advanced Decoding** — Accurately captures data from scratched, damaged, smudged, or low-contrast barcodes, helping to reduce failed scans, minimize delays, and increase productivity when working in challenging environments.
- **Rugged Design** — Built to withstand drops and harsh environments, with an IP67 sealed housing for protection from dust, water exposure, and water immersion.
- **Scanning Range** — Scans barcodes ranging in size from 5 mil to 15 mil, at distances from 0.6 inches up to 20 inches.
- **Precision Aimer** — High-visibility aimer ensures fast, accurate barcode targeting across various distances.
- **One-Handed Solution** — Easily combine the mobile device and data reader for a one-handed scanning solution.
- **Bluetooth LE Support** — Enables dependable, low-power wireless connectivity for extended battery life and fast pairing through Bluetooth Low Energy.
- **Long-Lasting Battery** — Scanner features rechargeable and field-replaceable battery that lasts a full shift.

- **Intuitive User Indicators** — **LED lights** that indicate successful data read/write and battery charging status.
- **Audible Feedback** — Multiple **feedback tones** to indicate successful data read/write and other important action confirmations.
- **Easy App Integration** — Socket Mobile's CaptureSDK (version 2.0.29 or higher) enables easy integration in your applications to improve business productivity with fast, efficient, and reliable data transfer over Bluetooth wireless technology. Data reader works out of the box for apps that have already integrated CaptureSDK, with support for Bluetooth LE devices.
- **1-Year Warranty Included** — **Extended warranty** options also available.
- **Designed and Assembled in the USA** — Socket mobile data readers are built at our headquarters in Fremont, CA.

Dimensions



External Control



Reading Performance

Default Barcode Symbologies

- **1D Symbologies:** Bookland Ean, Codabar, Code 128, Code 39, Code 93, Ean Jan 13, Ean Jan 8, Gs1 128, Gs1 Databar Expanded, Gs1 Databar Limited, Gs1 Databar Omnidirectional, Interleaved 2 5, Isbt 128 Udi, Trioptic, Upc A, Upc E
- **2D Symbologies:** Aztec, Composite, Data Matrix, Dotcode, Gs1 Data Matrix, Gs1 Qr, Han Xin, Maxicode, Micropdf417, Micro Qr, Pdf417, Qr
- **OCR Typeface:** Ocr B

Learn how to [enable and disable](#) data types.

Supported Barcode Symbologies

- **1D Symbologies:** Chinese 2 5, Code 11, Matrix 2 5, Msi
- **Postal Codes:** Australia Post, Japan Postal, Mailmark, Netherlands Kix, Uk Postal, Us Planet, Us Postnet, Usps 4Cb One Intelligent Mail
- **OCR Typeface:** Micr E13b, Ocr A

Learn how to [enable and disable](#) data types.

Scan Angle

44.5° (Horizontal) - 33.5° (Vertical)

Sensor Resolution

1280 horizontal x 960 vertical pixels

Print Contrast

Down to 25%-20%

Reading Distance

2.8 to 91.7 cm (1.1 to 36.1 in.) Depends on barcode size, symbology, label media.

Reading Distance: 0.6 in. to 20 in. (1.5 to 50.8 cm) Depends on barcode size, symbology, label media

Short Range

	Near	Far
5 mil Code 39	1.10 in / 2.8 cm	6.54 in / 16.6 cm
6.67 mil PDF417	0.91 in / 2.3 cm	7.05 in / 17.9 cm
10 mil DataMatrix	1.22 in / 3.1 cm	7.48 in / 19.0 cm
13 mil UPC-A	1.50 in / 3.8 cm	20.04 in / 50.9 cm
15 mil QR	0.59 in / 1.5 cm	11.06 in / 28.1 cm

Battery Information

Battery Type	1 rechargeable Lithium Ion Polymer (replaceable battery)
Charge Time	8 Hours
Life of battery	500 charge-discharge cycles
Life per full charge	Standby time: 25 hours Active Scan Time: 10,000 scans within 11 hours (based on one scan every 4 seconds) <i>Note: Battery life varies depending on ambient temperature, ambient light, and the age of the battery.</i>
Battery weight	12.5g
Percentage lithium	36.3%
mAh	700
Cells per battery	1
Watts per battery	2.59
Cell type	Proprietary
Chemical composition	Lithium - polymer
Lithium content	4.5g
Voltage	3.7v
Hazmat UN Number	UN3481, P.I. 967
ROHS Compliance	Yes, Included with Scanner
Country of origin	China
Commodity code	8507.60.0000

Bluetooth Information

Bluetooth Profiles	<ul style="list-style-type: none">• Application Mode - requires a compatible app with Socket Mobile CaptureSDK
---------------------------	---

**Bluetooth
Radio**

Bluetooth LE

**Bluetooth
Range**

Up to 10 meters (33 ft.), depending on the environment. The range limit is usually due to the Host Device (phone, tablet, or notebook).

Operating Systems**Packaging****Data Reader with Charging Cable**

- Data Reader
- Charging Cable with USB-C to USB-A adapter
- Get Started Guide

Data Reader with Charging Dock

- Data Reader
- Charging Dock
- USB-C Cable
- Get Started Guide

Data Reader with Charging Dock and Mount

- Data Reader
- Charging Dock
- Mount
- USB-C Cable
- Get Started Guide

Data Reader with Holster

- Data Reader
- Charging Cable with USB-C to USB-A adapter
- Holster
- Get Started Guide

Data Reader with Rokform Case

- Data Reader
- Charging Cable with USB-C to USB-A adapter
- Rokform Case
- Get Started Guide

Common Uses

- Warehouse Management
- Logistics Management
- Baggage Handling
- Process & Quality Control
- Oil & Gas
- Manufacturing
- Inspections & Audits
- Construction
- Industrial & Manufacturing Solutions

User Environments

Ambient Light

From 0 to 100 000 lux. From pitch black to direct sunlight.

Charging Temperature

Charging in an ambient temperature above 40° C / 100° F may result in charging issues.

Drop Specifications**Standard:**

- 10 ft. (3.1m) drop at room temperature per MIL-STD-810G

Freezer:

- 8 ft. (2.4m) drop to concrete across temperature per MIL-STD-810G
- 7 ft. (2.1m) drop to concrete across temperature per MIL-STD-810G.

Operating Temperature

0° to 45° C (32° to 113° F)

Relative Humidity

95% at 60° C (140° F) (non-condensing)

Sealing

IP67 (Ingress protection rating for dust and water) meets IEC sealing and EN60529 specifications.

Storage Temperature

-40° to 70° C (-40° to 158° F)

Tumble Specification

2,500 cycles at 3.3 ft. (1 m) to a metal plate, IEC6008-2-31, IEC60068-2-32 3.

Certification & Regulatory

Bluetooth SIG:

- Declaration ID: D030529
- QD ID: 82009

Electrical Safety:

- EN 62368-1:2020 + A11:2020
- IEC 62368-1:2018
- UL 62368-1:2019 R10.21
- CSA C22.2 NO. 62368-1:19

Environmental:

- RoHS EN 50581

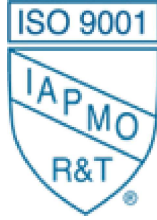
EMI / RFI:

- FCC Part 15 Class C, RSS 210, iCES 003, C-Tick, CISPR 22, CE EN55022, EN55024
- TELEC: 020-240046

- FCC ID: LUBMA41
- IC ID: 2529A-MA41M9

LED Safety:

- IEC 60825-1
- EN 60825-1



Product SKUs

