

[Webinar](#) 



Compatible with:  Low Energy

Made for  iPhone | iPad | iPod



Reads:

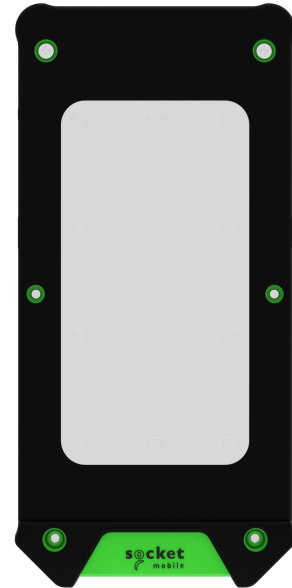


1D BARCODES, 2D BARCODES

XtremeScan Mag 663

Rugged Professional BYOD Long-Range 1D/2D
Bluetooth LE Barcode Scanners

BYOD | **Long-Distance Scanning** | **Rugged IP67 Rated**
Unlock long-range scanning power in a compact, BYOD-friendly device built for single-handed operation. The XtremeScan Mag 663 is designed for mobile professionals who need industrial-grade performance without added bulk. Featuring a secure magnetic attachment system and streamlined design, this rugged data reader integrates with most mobile devices and delivers accurate 1D/2D barcode capture from up to 46 feet away.



This product uses a Bluetooth LE (Low Energy) connection method that is different from our Bluetooth Classic data readers and **requires a supported software application**. Before purchasing, please confirm your app uses the latest version of Socket Mobile's [CaptureSDK](#) or [contact us](#) to discuss your requirements.

The XtremeScan Mag 663 combines a powerful long-range barcode scanner with a secure magnetic mounting system, creating a rugged, high-performance solution for Bring Your Own Device (BYOD) operations. Designed for warehousing, logistics,

manufacturing, and field service environments, the 663 allows employees to quickly attach and detach their mobile devices throughout the day—offering flexibility, convenience, and professional-grade scanning performance.

Equipped with a long-range 1D/2D scanning engine, the 663 reads barcodes from as far as 46 feet away, minimizing the need for repositioning or reaching hard-to-access areas. Whether scanning labels on high warehouse racks or asset tags at close range, the 663 provides fast, omnidirectional scanning with a high-precision aimer designed for accurate targeting in all lighting conditions.

Built with industrial-grade durability, the XtremeScan housing features IP67 sealing to protect against dust, water, and rough handling in demanding environments. Its compact form factor and ergonomic design ensure comfort during long shifts, while Bluetooth® LE connectivity enables smooth pairing with a wide range of mobile devices. The magnetic attachment system delivers a secure, convenient connection that keeps devices firmly in place during use, yet easy to remove when needed for other tasks.

Available Configurations

- **XtremeScan XS663 (Standard Handheld):**

Compact, handheld long-range scanner with an integrated magnetic plate system for easy attachment and detachment. Ideal for workers who need mobility and flexibility while using their own mobile devices.

- **XtremeScan Grip XG663 (with Pistol Grip Handle):**

Same as the standard model, but includes an ergonomic pistol grip handle for added comfort during scan-heavy shifts or extended use. Perfect for applications requiring frequent, high-volume scanning.

Available in the following bundles

- **XTREMESCAN-663 + [Charging Dock w/ Vehicle Mount](#)** – Dock your reader into your vehicle with a pre-attached RAM® 1" Diamond Ball Mount. Compatible with thousands of RAM arms and bases.
- **XTREMESCAN-663 + [Charging Dock](#)** – For secure storage and convenient device charging between uses.

- **XTREMESCAN-663 + [Holster](#)** – Easily connects to a belt or mounts to equipment for quick and easy access.

Magnetic Adapter Compatibility

To ensure proper magnetic attachment, please ensure your device is equipped with a compatible magnetic mounting system.

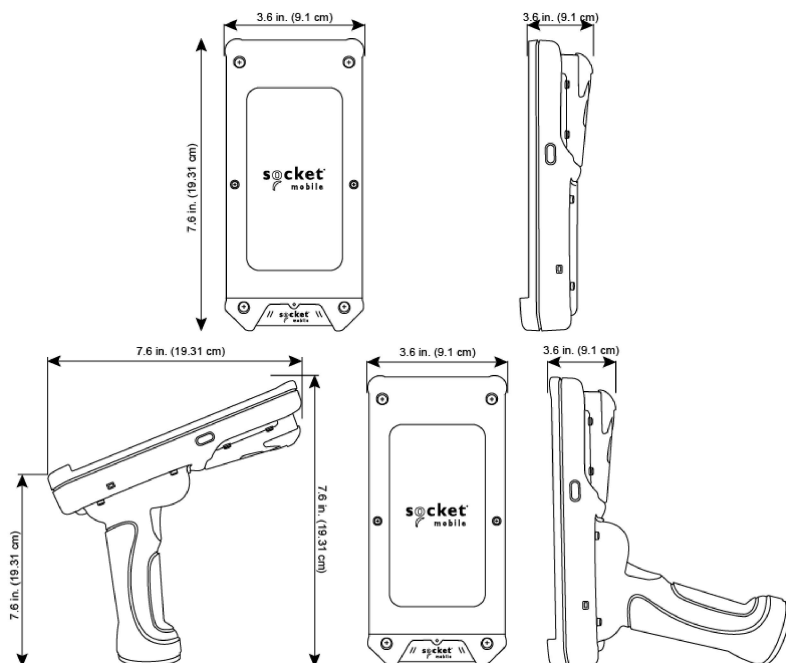
- **Rokform Case Users:** If you're using a Rugged Rokform Case for iPhone 15, 16, or 16e, no additional adapter is needed.
- **Other Phones:** For other devices, we recommend one of the following magnetic adapters from Rokform:
 - [Rokform MagSafe® Magnetic Universal Adapter](#) ↗
 - [Rokform Magnetic RokLock Plug](#) ↗
- **Tablets:** For tablet setups, we suggest the Oqtiq Magnetic Universal Strip as a reliable third-party option.

Features

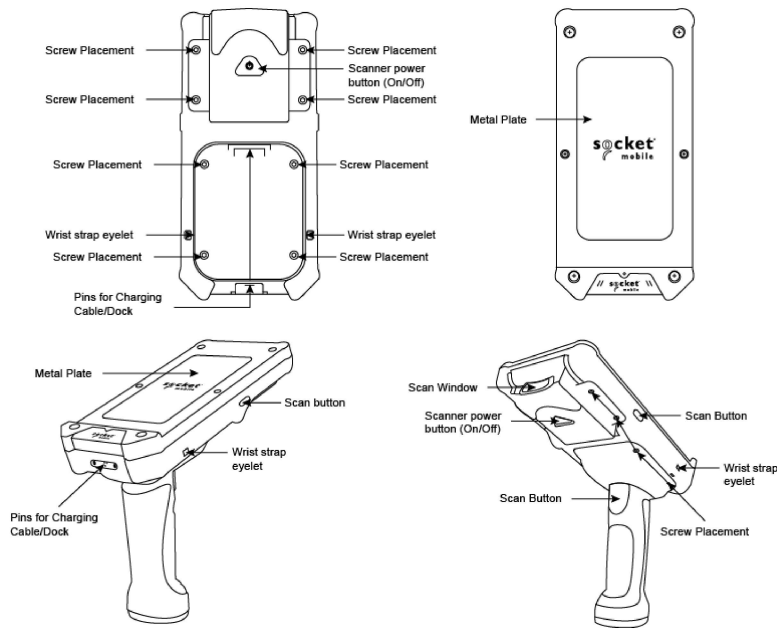
- **Multi-Device Compatibility** — Apple® Certified for iOS devices (iPhone®, iPad®) and compatible with Android® and Windows® 11.
- **Advanced Decoding** — Accurately captures data from scratched, damaged, smudged, or low-contrast barcodes, helping to reduce failed scans, minimize delays, and increase productivity when working in challenging environments.
- **Robust Scanning** — Fast 1D/2D scanning for both printed and on-screen barcodes, featuring omnidirectional capability for intuitive, rapid scanning.
- **Rugged Design** — Built to withstand drops and harsh environments, with an IP67 sealed housing for protection from dust, water exposure, and water immersion.
- **Long Scanning Range** — Scans barcodes ranging in size from 3 mils to 100 mils at distances from 2.2 inches to 46 feet.
- **Precision Aimer** — High-visibility aimer ensures fast, accurate barcode targeting across various distances.

- **One-Handed Solution** — Easily combine the mobile device and data reader for a one-handed scanning solution.
- **Bluetooth LE Support** — Enables dependable, low-power wireless connectivity for extended battery life and fast pairing through Bluetooth Low Energy.
- **Long-Lasting Battery** — Scanner features rechargeable and field-replaceable battery that lasts a full shift.
- **Intuitive User Indicators** — **LED lights** that indicate successful data read/write and battery charging status.
- **Audible Feedback** — Multiple **feedback tones** to indicate successful data read/write and other important action confirmations.
- **Easy App Integration** — Socket Mobile's CaptureSDK (version 2.0.29 or higher) enables easy integration in your applications to improve business productivity with fast, efficient, and reliable data transfer over Bluetooth wireless technology. Data reader works out of the box for apps that have already integrated CaptureSDK, with support for Bluetooth LE devices.
- **1-Year Warranty Included** — **Extended warranty** options also available.
- **Designed and Assembled in the USA** — Socket mobile data readers are built at our headquarters in Fremont, CA.

Dimensions



External Control



Reading Performance

Default Barcode Symbologies

- **1D Symbologies:** Bookland Ean, Codabar, Code 128, Code 39, Code 93, Ean Jan 13, Ean Jan 8, Gs1 128, Gs1 Databar Expanded, Gs1 Databar Limited, Gs1 Databar Omnidirectional, Interleaved 2 5, Isbt 128 Udi, Trioptic, Upc A, Upc E
- **2D Symbologies:** Aztec, Composite, Data Matrix, Dotcode, Gs1 Data Matrix, Gs1 Qr, Han Xin, Maxicode, Micropdf417, Micro Qr, Pdf417, Qr
- **OCR Typeface:** Ocr A, Ocr B

Learn how to [enable and disable](#) data types.

Supported Barcode Symbologies

- **1D Symbologies:** Code 11, Matrix 2 5, Msi
- **Postal Codes:** Australia Post, Japan Postal, Mailmark, Netherlands Kix, Uk Postal, Us Planet, Us Postnet, Usps 4Cb One Intelligent Mail
- **OCR Typeface:** Micr E13b

Learn how to [enable and disable](#) data types.

2.2 in. to 554 in. (271 in. to 1407.2 cm.) Depends on barcode size, symbology, label media.

	Barcode Type	Near	Far
Decode Range	3 mil Code 39	2.7 in./6.9 cm	16.2 in./41.1 cm
	5 mil Code 39	2.5 in./6.4 cm	26.6 in./67.6 cm
	5 mil PDF417	2.8 in./7.1 cm	19.6 in./49.8 cm
	6.7 mil PDF417	2.6 in./6.6 cm	25.6 in./65.0 cm
	10 mil DataMatrix	2.2 in./5.6 cm	271 in./68.8 cm
	100% UPC (13 mil)	2.5 in./6.4 cm	71 in./180 cm
	15 mil Code 128	7.2 in./18.2 cm	72 in./182.9 cm
	20 mil Code 39		109 in./276.9 cm
	55 mil Code 39		293 in./744.2 cm
	100 mil Code 39		554 in./1407.2 cm
	100 mil DataMatrix		270 in./685.8 cm

* All decode ranges based on Grade A, photographic quality barcodes printed on paper.

Scan Angle 44.5° (Horizontal) - 33.5° (Vertical)

Print Contrast Down to 25%-20%

Sensor Resolution 1280 horizontal x 960 vertical pixels

Battery Information

Battery Type 1 rechargeable Lithium Ion Polymer (replaceable battery)

Charge Time 8 Hours

Life of battery 500 charge-discharge cycles

Standby time: 25 hours
Active Scan Time: 10,000 scans within 11 hours (based on one scan every 4 seconds)
Note: Battery life varies depending on ambient temperature, ambient light, and the age of the battery.

Battery weight 12.5g

Percentage lithium 36.3%

mAh 700

Cells per battery 1

Watts per battery 2.59

Cell type Proprietary

Chemical composition Lithium - polymer

Lithium content 4.5g

Voltage 3.7v

Hazmat UN Number UN3481, P.I. 967

ROHS Compliance Yes, Included with Scanner

Country of origin China

Commodity code 8507.60.0000

Bluetooth Information

Bluetooth Profiles • **Application Mode** - requires a compatible app with Socket Mobile CaptureSDK

Bluetooth Radio Bluetooth LE

Bluetooth Range Up to 10 meters (33 ft.), depending on the environment. The range limit is usually due to the Host Device (phone, tablet, or notebook).

Operating Systems



Packaging

Data Reader with Charging Cable

- Data Reader
- Charging Cable with USB-C to USB-A adapter
- Get Started Guide

Data Reader with Charging Dock

- Data Reader
- Charging Dock
- USB-C Cable
- Get Started Guide

Data Reader with Charging Dock and Mount

- Data Reader
- Charging Dock
- Mount
- USB-C Cable
- Get Started Guide

Data Reader with Holster

- Data Reader
- Charging Cable with USB-C to USB-A adapter
- Holster

- [Get Started Guide](#)

Data Reader with Rokform Case

- [Data Reader](#)
- [Charging Cable with USB-C to USB-A adapter](#)
- [Rokform Case](#)
- [Get Started Guide](#)

Common Uses

- [Industrial & Manufacturing Solutions](#)
- [Manufacturing](#)
- [Inspections & Audits](#)
- [Construction](#)
- [Warehouse Management](#)
- [Logistics Management](#)

User Environments

Ambient Light	From 0 to 100 000 lux. From pitch black to direct sunlight.
Charging Temperature	Charging in an ambient temperature above 40° C / 100° F may result in charging issues.
Drop Specifications	Standard: <ul style="list-style-type: none">• 10 ft. (3.1m) drop at room temperature per MIL-STD-810G Freezer: <ul style="list-style-type: none">• 8 ft. (2.4m) drop to concrete across temperature per MIL-STD-810G• 7 ft. (2.1m) drop to concrete across temperature per MIL-STD-810G.
Operating Temperature	0° to 45° C (32° to 113° F)
Relative Humidity	95% at 60° C (140° F) (non-condensing)

Sealing	IP67 (Ingress protection rating for dust and water) meets IEC sealing and EN60529 specifications.
Storage Temperature	-40° to 70° C (-40° to 158° F)
Tumble Specification	2,500 cycles at 3.3 ft. (1 m) to a metal plate, IEC6008-2-31, IEC60068-2-32 3.

Certification & Regulatory

Bluetooth SIG:

- Declaration ID: D030529
- QD ID: 82009

Electrical Safety:

- EN 62368-1:2020 + A11:2020
- IEC 62368-1:2018
- UL 62368-1:2019 R10.21
- CSA C22.2 NO. 62368-1:19

Environmental:

- RoHS EN 50581

EMI / RFI:

- FCC Part 15 Class C, RSS 210, iCES 003, C-Tick, CISPR 22, CE EN55022, EN55024
- TELEC:
- FCC ID: LUBMA41
- IC ID: 2529A-MA41M9

LED Safety:

- IEC 60825-1
- EN 60825-1



Product SKUs

