



Compatible with: Bluetooth Made for iPhone | iPad | iPod

Reads:

1D BARCODES, 2D BARCODES, OCR FONTS, POSTAL CODES

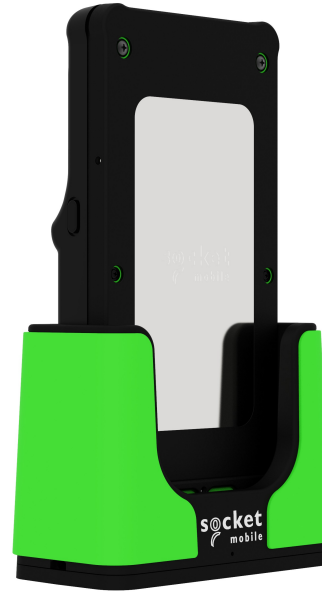
XtremeScan Mag XS640

Rugged Performance BYOD 1D/2D Barcode Scanner

High-Performance Scanning | **Rugged IP67 Rated**

Scans on Screen

The XS640 stands out as a rugged, high-performance barcode scanner designed for fast, accurate 1D/2D scanning in demanding environments.



Based on the Socket Mobile XtremeScan Mag platform, the XS640 is designed for BYOD (Bring Your Own Device) operations and seamless integration with any mobile device. It offers an optimal solution to enhance efficiency and convenience in mobile workforces. Featuring a secure magnetic attachment system, workers can easily attach and detach their personal mobile devices throughout the day. This flexibility empowers users to switch between tasks such as navigation, photos, and communication while adding high-performance 1D/2D barcode scanning when needed.

With its innovative BYOD design and rugged durability, the XS640 is ideal for modern delivery and inventory operations. It ensures tasks are completed efficiently without requiring multiple devices.



Featuring a streamlined case format, the XS640 offers a compact, easy-to-handle design for comfortable use over long shifts. Its fast, omnidirectional 1D/2D scanning delivers effortless data capture, and the secure magnetic attachment system allows for quick access when scanning is required. With extended battery life, military-grade durability to withstand drops and harsh conditions, and intuitive LED indicators, the XS640 simplifies scanning tasks while maintaining performance in any work environment.

Equipped with Bluetooth connectivity and a strong metal plate attachment system, the XS640 ensures optimal compatibility with any mobile device and reliable integration

with iOS and Android business applications.

Magnetic Adapter Compatibility

To ensure proper magnetic attachment, please ensure your device is equipped with a compatible magnetic mounting system.

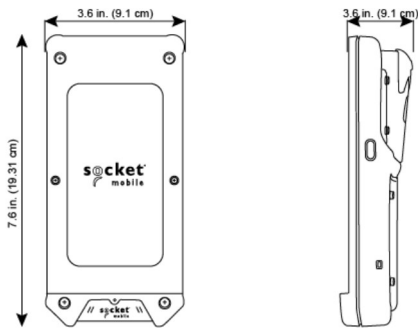
- **Rokform Case Users:** If you're using a Rugged Rokform Case for iPhone 15, 16, or 16e, no additional adapter is needed.
- **Other Phones:** For other devices, we recommend one of the following magnetic adapters from Rokform:
 - [Rokform MagSafe® Magnetic Universal Adapter](#) 
 - [Rokform Magnetic RokLock Plug](#) 
- **Tablets:** For tablet setups, we suggest the Oqtiq Magnetic Universal Strip as a reliable third-party option.

Features

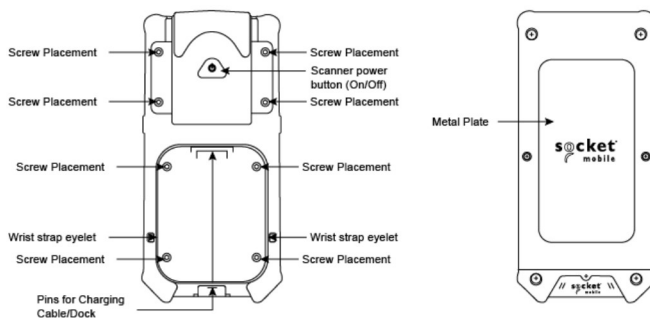
- **Multi-Device Compatibility** — Apple® Certified for iOS devices (iPhone®, iPad®) and compatible with Android®, and Windows® 10.
- **Rapid Scanning** — Fast 1D/2D scanning for both printed and on-screen barcodes, featuring omnidirectional capability for intuitive, rapid scanning.
- **Rugged Design** — Built to withstand drops and harsh environments, with an IP67 sealed housing for protection from dust, water exposure, and water immersion.
- **One-Handed Solution** — Easily combine the mobile device and data reader for a one-handed scanning solution.
- **Bluetooth Classic Wireless Integration** — Dependable Bluetooth connection to host devices.
- **Long-Lasting Battery** — Scanner features rechargeable and field-replaceable battery that lasts a full shift.
- **Intuitive User Indicators** — **LED lights** that indicate successful data read/write and battery charging status.

- **Audible Feedback** — Multiple **feedback tones** to indicate successful data read/write and other important action confirmations.
- **LED Aimer** — Bright, rectangular illumination field with **LED pointer** for precise aiming.
- **Developer Support** — Our support team is available to assist with set-up and operation.
- **Easy App Integration** — Socket Mobile's Capture SDK enables easy integration in your applications to improve business productivity with fast, efficient, and reliable data transfer over Bluetooth wireless technology. Data reader works out of the box for apps that have already integrated CaptureSDK, with support for Bluetooth LE devices.
- **1-Year Warranty Included** — **Extended warranty** options also available.

Dimensions



External Control



Reading Performance

Default Barcode Symbologies

- **1D Symbologies:** Bookland Ean, Codabar, Code 128, Code 39, Code 93, Ean Jan 13, Ean Jan 8, Gs1 128, Gs1 Databar Expanded, Gs1 Databar Limited, Gs1 Databar Omnidirectional, Interleaved 2 5, Isbt 128 Udi, Trioptic, Upc A, Upc E
- **2D Symbologies:** Aztec, Composite, Data Matrix, Dotcode, Gs1 Data Matrix, Gs1 Qr, Han Xin, Maxicode, Micropdf417, Micro Qr, Pdf417, Qr
- **OCR Typeface:** Ocr B

Learn how to [enable and disable](#) data types.

Supported Barcode Symbologies

- **1D Symbologies:** Chinese 2 5, Code 11, Matrix 2 5, Msi
- **Postal Codes:** Australia Post, Japan Postal, Mailmark, Netherlands Kix, Uk Postal, Us Planet, Us Postnet, Usps 4Cb One Intelligent Mail
- **OCR Typeface:** Micr E13b, Ocr A

Learn how to [enable and disable](#) data types.

Print Contrast

Down to 25%-20%

Scan Angle

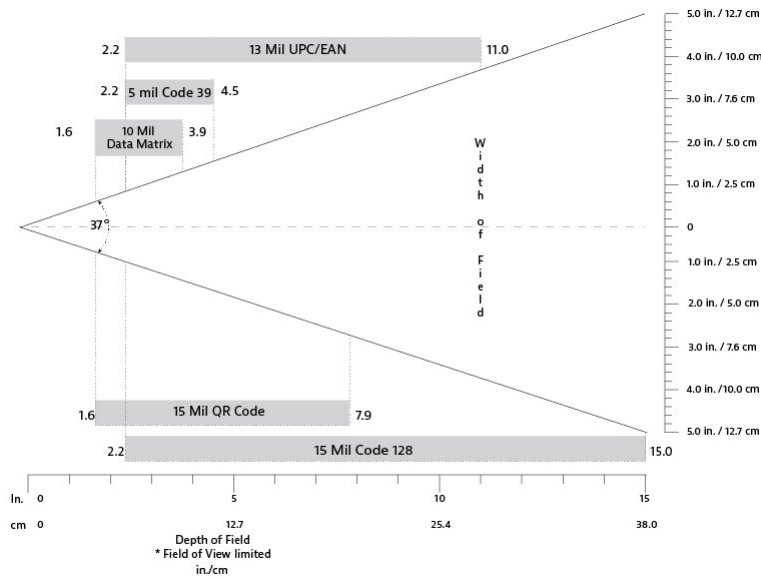
44.5° (Horizontal) - 33.5° (Vertical)

Sensor Resolution

1280 horizontal x 960 vertical pixels

3.0 to 49.5 cm (1.2 to 19.5 in.) Depends on barcode size, symbology, label media

Reading Distance



3.0 to 49.5 cm (1.2 to 19.5 in.) Depends on barcode size, symbology, label media.

		Near	Far
Decode Ranges	5 mil Code 39	2.2 in/5.5 cm	4.5 in/11.5 cm
	10 mil DataMatrix	1.6 in/4.0 cm	3.9 inc/10.0 cm
	13 Mil UPC/EAN	2.2 in/5.5 cm	11.0 in/28.0 cm
	15 Mil Code 128	2.2 in/5.5 cm	15.0 in/38.0 cm
	15 mil QR Code	1.6 in/4.0 cm	7.9 inc/20.0 cm

Battery Information

Battery Type	1 rechargeable Lithium Ion Polymer (replaceable battery)
Charge Time	8 Hours
Life of battery	500 charge-discharge cycles
Life per full charge	Standby time: 25 hours Active Scan Time: 10,000 scans within 11 hours (based on one scan every 4 seconds) <i>Note: Battery life varies depending on ambient temperature, ambient light, and the age of the battery.</i>
Battery weight	12.5g
Percentage lithium	36.3%
mAh	700
Cells per battery	1
Watts per battery	2.59
Cell type	Proprietary
Chemical composition	Lithium - polymer
Lithium content	4.5g
Voltage	3.7v

Hazmat UN Number UN3481, P.I. 967

ROHS Compliance Yes, Included with Scanner

Country of origin China

Commodity code 8507.60.0000

Bluetooth Information

- Bluetooth Profiles**
- **Basic Mode** - Human Interface Device (HID)
 - **Application Mode** - Serial Port Profile (SPP)
 - **iOS Application Mode** (Default)

Some Operating Systems or smartphone/tablet models may support only one profile.

Bluetooth Radio Class 2 Bluetooth, version 2.1 + EDR (Enhanced Data Rates) with 56-bit data encryption

Bluetooth Range Up to 10 meters (33 ft.), depending on the environment. The range limit is usually due to the Host Device (phone, tablet, or notebook).

Operating Systems



Packaging

- Data Reader
- Charging Cable with USB-C to USB-A adapter
- Get Started Guide

Common Uses

- Warehouse Management
- Logistics Management
- Baggage Handling
- Industrial & Manufacturing Solutions
- Inspections & Audits
- Mobile Delivery Services
- Manufacturing
- Transportation & Logistics Solutions

User Environments

Ambient Light	From 0 to 100 000 lux. From pitch black to direct sunlight.
Charging Temperature	Charging in an ambient temperature above 40° C / 100° F may result in charging issues.
Operating Temperature	0° to 45° C (32° to 113° F)
Relative Humidity	95% at 60° C (140° F) (non-condensing)
Storage Temperature	-40° to 70° C (-40° to 158° F)
Sealing	IP67 (Ingress protection rating for dust and water) meets IEC sealing and EN60529 specifications.
Drop Specifications	<p>Standard:</p> <ul style="list-style-type: none"> • 10 ft. (3.1m) drop at room temperature per MIL-STD-810G <p>Freezer:</p> <ul style="list-style-type: none"> • 8 ft. (2.4m) drop to concrete across temperature per MIL-STD-810G • 7 ft. (2.1m) drop to concrete across temperature per MIL-STD-810G.
Tumble Specification	2,500 cycles at 3.3 ft. (1 m) to a metal plate, IEC6008-2-31, IEC60068-2-32 3.

Certification & Regulatory

Bluetooth SIG:

- Declaration ID: D030529
- QD ID: 82009

Electrical Safety:

- EN 62368-1:2020 + A11:2020
- IEC 62368-1:2018
- UL 62368-1:2019 R10.21
- CSA C22.2 NO. 62368-1:19

Environmental:

- RoHS EN 50581

EMI / RFI:

- FCC Part 15 Class C, RSS 210, iCES 003, C-Tick, CISPR 22, CE EN55022, EN55024
- TELEC: 020-240046
- FCC ID: LUBMA41
- IC ID: 2529A-MA41M9

LED Safety:

- IEC 60825-1
- EN 60825-1



Product SKUs

- **CX4281-3393** - XS640 (Cable Only)
- **CX4582-3836** - XS640 (Charging Dock)
- **CX4583-3837** - XS640 (Charging Dock w/ Mount)
- **CX4584-3838** - XS640 (Holster)
- **CX4538-3779** - XS640 (Rokform Case for iPhone 15)

- **CX4539-3780** - XS640 (Rokform Case for iPhone 16)
- **CX4540-3781** - XS640 (Rokform Case for iPhone 16e)

