

CM8100 High Density Console Manager

with Smart Out-of-Band Management



- 16, 32 or 48 port serial console manager with Smart OOB™
- Ideal replacement for legacy terminal servers
- Enables Data Center automation with Python and Docker support
- Embedded physical security using TMP 2.0 module
- Dual power supplies with independent monitoring



Console Specifications

Serial Ports	CM81xx - 16, 32 or 48 x RJ45 RS-232 Cisco straight X2 pinout
--------------	--

Interfaces

Network Ports	2 x 10/100/1000 Ethernet port with 1500V AC Isolation and ESD Protection
---------------	--

Console Port	1 x RJ45 RS-232 Console Port - Cisco rolled X1 pinout, baud rate 9600
--------------	---

Serial Ports	Cisco straight X2 Pinout 50 to 230,400bps, provides direct connection to device console ports, no adapters needed
--------------	---

USB	2 x USB 3.0 host ports, can be used for external storage or to manage device console ports
-----	--

Remote Access	Dual Ethernet, aggregation & redundancy, automatic network failover, easy web browser UI IPv6
---------------	---

Console Management	<ul style="list-style-type: none">• Built-in web terminal• SSH direct to consoles• Optional console keystroke logging• Alert on cable disconnects, text pattern match and more• Multiple concurrent sessions
--------------------	--

Power Requirements

Dual AC	Dual socket universal IEC C14 inlet 100-240V AC
---------	---

Dual DC	+/- 40V to 72V DC
---------	-------------------

Power Consumption	Less than 15 W (51 BTU/h) typical
-------------------	-----------------------------------

Cooling	Passive Cooling - can be forward or reverse mounted
---------	---

Physical Dimensions

Dimensions and Weight 17.3" x 9.25" x 1.75" - 9.5 lbs, 440 x 235 x 44 mm - 4.5 kg

Form Factor 1 RU

Memory and CPU

CPU 1.6 GHz Dual-Core ARM Cortex-A9 SoC (Marvell 88F6820)

Memory 2GB DDR4 SDRAM

Storage 32GB eMMC

Environmental

Operating Temperature 5°C to 50°C, 41°F to 122°F

Storage Temperature -30°C to +60°C, -22°F to +140°F

Humidity 5% to 90% (non-condensing)

Security, Encryption & Authentication

- AAA - TACACS+, RADIUS, Active Directory/OpenLDAP, with local fallback
- Embedded Firewall
- IPSec and OpenVPN
- Trusted Platform Module 2.0

Automation & Scalability

- Opengear
- [API access](#)
- Docker support
- Python
- Perl and bash support
- ZTP
- SNMP-Standard [MIBs](#)

Certifications

Emissions FCC Part 15 Subpart B:2021 Class A, ICES-003 Issue 7, AS/NZS CISPR 32:2015, EN 55035:2017, EN 55032:2017, VCCI-CISPR 32:2016, CNS 13438:2006-6

Immunity EN 61000-3-2:2019, IEC 61000-3-2:2018. EN/IEC 61000-3-3:2013, EN61000-4-2:2009,

Certifications

IEC 61000-4-2:2008, EN 61000-4-3:2006:+ A1:2008 + A2:2010, IEC 61000-4-3:2006 + A1:2007 + A2:2010, EN/IEC 61000-4-4:2012, IEC 61000-4-8:2009, EN/IEC 61000-4-11:2004

Other Agency Approvals CE, IEC 60950, IEC 62368, RoHS compliant.

MTBF 150,000 Hours

Warranty

5 years hardware replacement included. Appliance requires a minimum of 1 year Foundation Support at the time of purchase.

Available Models

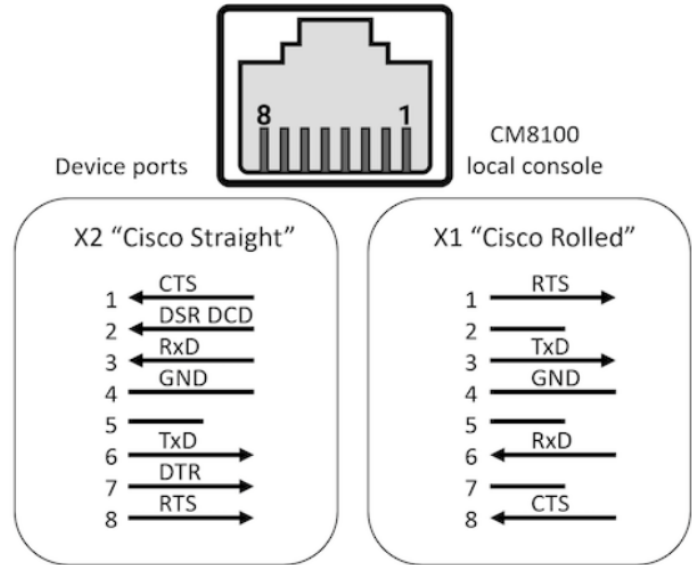
Model	Description
CM8116	16 serial straight pinout, 2 x 1GbE, ARM 1.6GHz 2-core 2GB mem 32GB flash TPM, Dual AC
CM8116-DDC	16 serial straight pinout, 2 x 1GbE, ARM 1.6GHz 2-core 2GB mem 32GB flash TPM, Dual DC
CM8132	32 serial straight pinout, 2 x 1GbE, ARM 1.6GHz 2-core 2GB mem 32GB flash TPM, Dual AC
CM8132-DDC	32 serial straight pinout, 2 x 1GbE, ARM 1.6GHz 2-core 2GB mem 32GB flash TPM, Dual DC
CM8148	48 serial straight pinout, 2 x 1GbE, ARM 1.6GHz 2-core 2GB mem 32GB flash TPM, Dual AC
CM8148-DDC	48 serial straight pinout, 2 x 1GbE, ARM 1.6GHz 2-core 2GB mem 32GB flash TPM, Dual DC
	Every appliance ships with 2 x C14 power cables. Country-specific power cables can be purchased separately.

Package Checklist

- Console Server CM81xx
- Rack Mount Kit (Part# 590037)
- Two rack ears with six M4 screws
- Four M5mm caged nuts
- Four M5x15mm rack screws
- One CAT5 Patch Cable 5'
- One DB9F-RJ45 rollover serial adapter (Part# 319018)
- Two A/C Power cables*
- Quick Start Guide
- Lighthouse insert

* DDC models will not ship with power cables.

Opengear Pinout



Optional Accessories

Part Number	Description
319014	Adapter - DB9F to RJ45 straight serial - DCE -For X2 Pinout
319015	Adapter - DB9F to RJ45 crossover serial - DTE -For X2 Pinout
319016	Adapter - DB9M to RJ45 straight serial - DCE -For X2 Pinout
440016	Cable - Straight through CAT5 - 5' length

Warranty

Part Number	Description
Included	5 year standard warranty

Select one of the following to include with the appliance:

OG-FNTS-CM8100-1YR	1 year Foundation Support for CM8100 - 8x5 Regional Support with Advanced Replacement
OG-FNTS-CM8100-2YR	2 year Foundation Support for CM8100 - 8x5 Regional Support with Advanced Replacement
OG-FNTS-CM8100-3YR	3 year Foundation Support for CM8100 - 8x5 Regional Support with Advanced Replacement

Part Number	Description
OG-FNTS-CM8100-5YR	5 year Foundation Support for CM8100 - 8x5 Regional Support with Advanced Replacement
OG-FNTS-CM8100-7YR	7 year Foundation Support for CM8100 - 8x5 Regional Support with Advanced Replacement
OG-PRTS-1YR	1 year Premium Support - Access to Premium Resources 24x7 and Advanced Replacements
OG-PRTS-2YR	2 year Premium Support - Access to Premium Resources 24x7 and Advanced Replacements
OG-PRTS-3YR	3 year Premium Support - Access to Premium Resources 24x7 and Advanced Replacements
OG-PRTS-5YR	5 year Premium Support - Access to Premium Resources 24x7 and Advanced Replacements
OG-PRTS-7YR	7 year Premium Support - Access to Premium Resources 24x7 and Advanced Replacements