

## LEDUNV Models

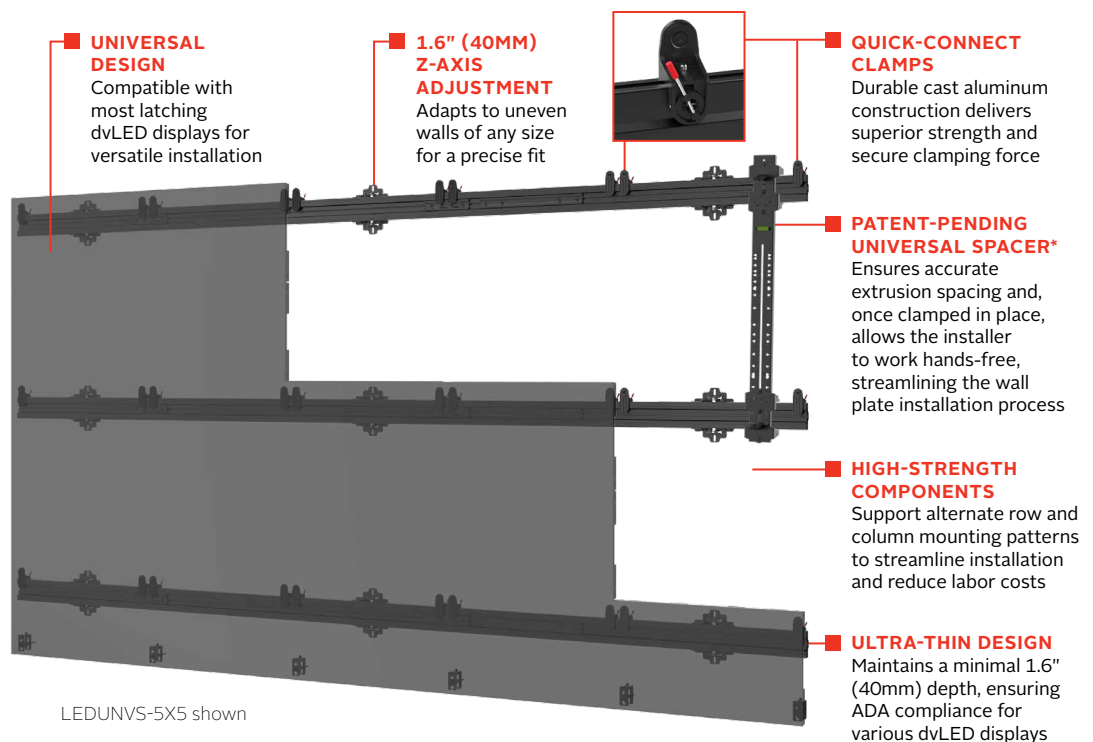


# SEAMLESS CONNECT

## Universal dvLED Mounting System

The Peerless-AV® SEAMLESS Connect Universal dvLED Mounting System offers a sleek, flexible design for even greater installation accuracy and time savings. The LEDUNV provides an affordable solution with a patent-pending universal spacer that ensures compatibility with most latching dvLED displays. The ADA-compliant mount frame allows for X, Y, and Z axis adjustments to accommodate uneven walls and ensure a flat video wall. Its lightweight aluminum frame installs quickly, and the quick-connect clamps make securing the displays to the mount frame simple for installers. The compact packaging minimizes warehouse space requirements and typically allows for parcel shipping, reducing delivery costs. Designed for flexibility, this mounting system ensures a secure, precise, and professional display setup for any environment – From corporate lobbies, shopping centers, sports venues, concert halls, casinos, and more.

- Engineered for versatility, accommodating both corner and flat-to-wall installations
- Scalable design enables unlimited sizes and configurations in both landscape and portrait orientation\*\*
- Wall plate includes 0.5" (13mm) height adjustment to enable quick spacing corrections
- Additional 0.2" (6mm) clamp height micro-adjustment delivers perfect pixel positioning
- Optional trim kit accessory (LEDTK) offers compatibility with most displays
- When mounting to a wall is not an option, Peerless-AV® also offers a flexible range of SEAMLESS Connect Universal Substructures
- Compact packaging minimizes environmental impact, shipping costs, and storage space



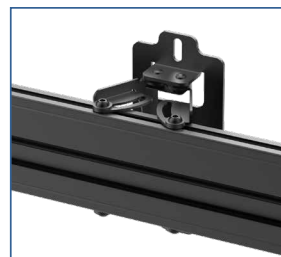
LEDUNVS-5X5 shown

\*Universal spacer (LEDUNVSPACER3) is sold separately.  
 \*\*Contact Peerless-AV® for details and part numbers for portrait mounting.

Contact a Peerless-AV® Sales Representative for the current list of compatible latching dvLED display models.



Internal / external corner install



Gear mechanism provides smooth arm movement and 1.6" (40mm) of depth adjustment without binding



Included with LEDUNV and LEDUNVL, extrusion expansion joint can eliminate on-site cutting, streamlining the installation process in the majority of installs

Please visit [peerless-av.com/en-us/patents](http://peerless-av.com/en-us/patents) for patent information.

# Model Numbers

**WARRANTY: 5 Years**

**LEDUNV Models** SEAMLESS Connect Universal dvLED Mounting System

**LEDUNVS** – for dvLED displays up to 610mm wide

**LEDUNVM** – for dvLED displays up to 960mm wide

**LEDUNVL** – for dvLED displays up to 1220mm wide

## Product Specifications

\*\*Contact Peerless-AV® for details and part numbers for portrait mounting.

UNIVERSAL SPACER*	DIMENSIONS (W x H x D)	PRODUCT WEIGHT	LOAD CAPACITY	FINISH	AVAILABLE COLORS
LEDUNVSPACER3	55.55" x 3.94" x 2.50" (1411 x 100 x 64mm)	4lb (1.8kg)	NA	Powder Coat	Black

PRECONFIGURED MODELS	Product height is dependent on the display height.				
LEDUNVS-4x4	96.06" x VARIES x 1.57"-3.15" (2440 x VARIES x 40-80mm)	32lb (14.5kg)	400lb (181.8kg)	Anodized, Powder Coat	Black
LEDUNVS-5x5	120.08" x VARIES x 1.57"-3.15" (3050 x VARIES x 40-80mm)	54lb (24.5kg)	625lb (284.1kg)		
LEDUNVS-6x6	144.09" x VARIES x 1.57"-3.15" (3660 x VARIES x 40-80mm)	65lb (29.5kg)	900lb (409.1kg)		
LEDUNVS-8x8	192.13" x VARIES x 1.57"-3.15" (4880 x VARIES x 40-80mm)	110lb (50.0kg)	1600lb (727.3kg)		
LEDUNVM-3x3	113.39" x VARIES x 1.57"-3.15" (2880 x VARIES x 40-80mm)	33lb (15.0kg)	315lb (143.2kg)	Anodized, Powder Coat	Black
LEDUNVM-4x4	151.18" x VARIES x 1.57"-3.15" (3840 x VARIES x 40-80mm)	45lb (20.5kg)	560lb (254.5kg)		
LEDUNVM-5x5	188.98" x VARIES x 1.57"-3.15" (4800 x VARIES x 40-80mm)	81lb (36.8kg)	875lb (397.7kg)		
LEDUNVL-2x2	96.06" x VARIES x 1.57"-3.15" (2440 x VARIES x 40-80mm)	26lb (11.8kg)	400lb (181.8kg)		
LEDUNVL-3x3	144.09" x VARIES x 1.57"-3.15" (3660 x VARIES x 40-80mm)	57lb (25.9kg)	900lb (409.1kg)		
LEDUNVL-4x4	192.13" x VARIES x 1.57"-3.15" (4880 x VARIES x 40-80mm)	98lb (44.5kg)	1600lb (727.3kg)		

## Package Specifications

UNIVERSAL SPACER*	PACKAGE SIZE (W x H x D)	PACKAGE SHIP WEIGHT	PACKAGE UPC CODE	PACKAGE CONTENTS	UNITS IN PACKAGE
LEDUNVSPACER3	5.00" x 4.375" x 38.00" (127 x 111 x 965mm)	9.5lb (4.3kg)	735029359333	Universal Spacer Kit and Laser Targets	1

PRECONFIGURED MODELS	*Universal spacer (LEDUNVSPACER3) is sold separately.				
LEDUNVS-4x4	14" x VARIES x 48" (356 x VARIES x 1219mm)	44lb (20.0kg)	735029359401	Wall Plate, Extrusion, Quick-Connect Adaptor, Standoff and Mounting Hardware	1
LEDUNVS-5x5	14" x VARIES x 48" (356 x VARIES x 1219mm)	69lb (31.4kg)	735029359418		
LEDUNVS-6x6	14" x VARIES x 48" (356 x VARIES x 1219mm)	81lb (36.8kg)	735029359265		
LEDUNVS-8x8	14" x VARIES x 48" (356 x VARIES x 1219mm)	131lb (59.5kg)	735029359425		
LEDUNVM-3x3	14" x VARIES x 48" (356 x VARIES x 1219mm)	46lb (20.9kg)	735029359432		
LEDUNVM-4x4	14" x VARIES x 48" (356 x VARIES x 1219mm)	59lb (26.8kg)	735029276111		
LEDUNVM-5x5	14" x VARIES x 48" (356 x VARIES x 1219mm)	99lb (45.0kg)	735029359449		
LEDUNVL-2x2	14" x VARIES x 48" (356 x VARIES x 1219mm)	38lb (17.3kg)	735029276074		
LEDUNVL-3x3	14" x VARIES x 48" (356 x VARIES x 1219mm)	72lb (32.7kg)	735029357490		
LEDUNVL-4x4	14" x VARIES x 48" (356 x VARIES x 1219mm)	117lb (53.2kg)	735029357506		

## Accessories

**LEDTK Models:** SEAMLESS Connect Universal dvLED Trim Kit

All dimensions = inch (mm)

## Components:



**ALUMINUM EXTRUSION**



**ADAPTOR**



**WALL PLATE**



**STANDOFF**

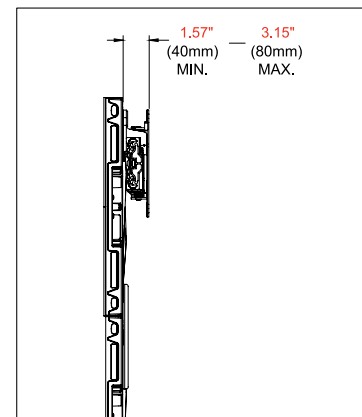


**OPTIONAL CORNER BRACKET**



**PATENT-PENDING UNIVERSAL SPACER**

Sold separately.



**SIDE VIEW WITH dvLED DISPLAY**

## Architect Specifications

The SEAMLESS Connect Universal dvLED Mounting System shall be a Peerless-AV LEDUNV models and shall be located where indicated on the plans. Assembly and installation shall be done according to instructions provided by the manufacturer.

Visit [peerless-av.com](http://peerless-av.com) to see the complete line of AV solutions from Peerless-AV, including outdoor displays, kiosks, display mounts, projector mounts, carts/stands, and a full assortment of accessories.

**Peerless-AV**  
2300 White Oak Circle  
Aurora, IL 60502  
USA  
**(800) 865-2112**  
**(630) 375-5100**

**Peerless-AV EMEA**  
Unit 2 Curo Park  
Frogmore, St. Albans  
Hertfordshire, AL2 2DD  
United Kingdom  
**+44 (0) 1923 200 100**

**Peerless-AV B.V.**  
Papendorpseweg 75  
3528 BJ Utrecht  
The Netherlands  
**+31 (0) 70 770 8037**

**Peerless-AV Latin America**  
Av. de las Industrias 413  
Parque Industrial Escobedo  
General Escobedo, N.L.,  
México, 66062  
**+52 (81) 8384-8300**

