

TECHNICAL DATA SHEET - Mount for Panasonic® TH103PH9UK Screen



MODEL: PANA-103MTV

All dimensions = inch (mm)

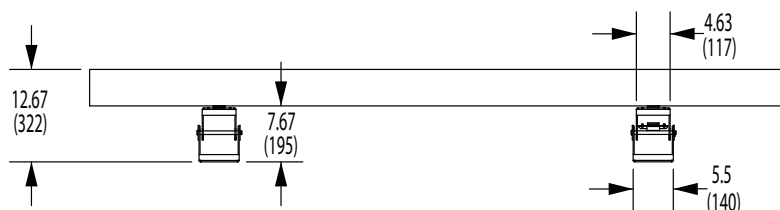
Dimensions:

Weight:
100.0 lb (45.3 kg)

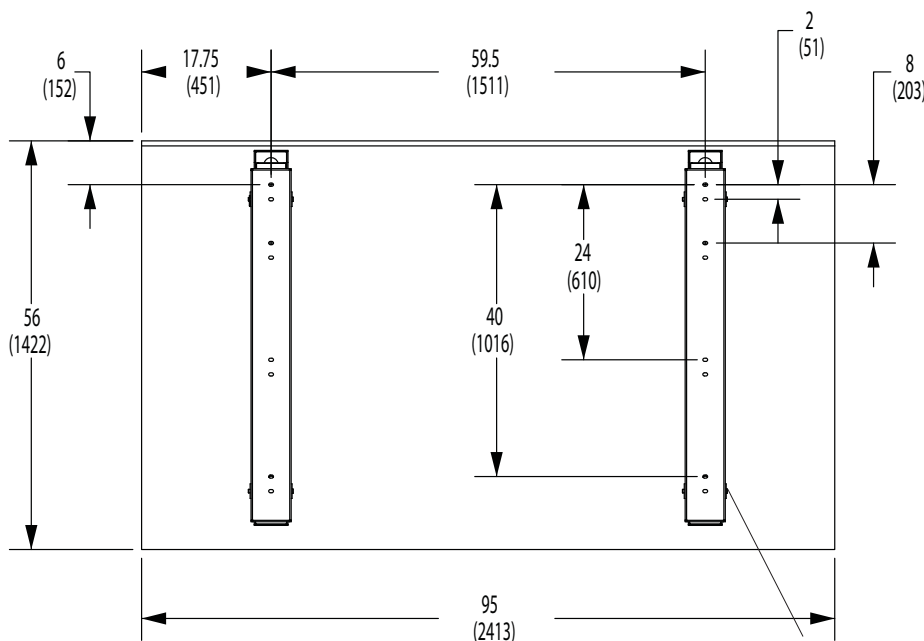
Shipping weight:
112.0 lb (50.8 kg)

Maximum Load Capacity:
500.0 lb (226.8 kg)

Shipping Carton dimensions:
L = 57.00 in (1448 mm)
W = 26.75 in (680 mm)
H = 6.00 in (152 mm)

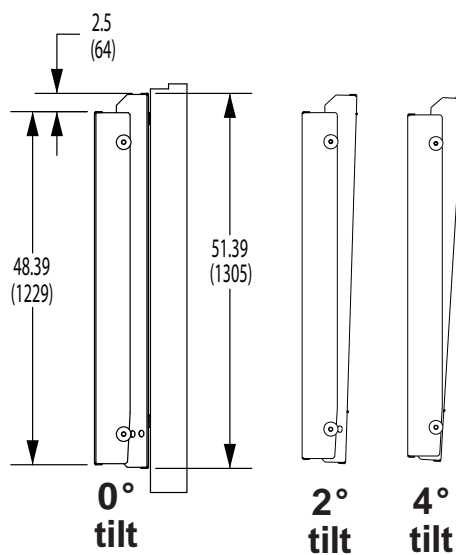


TOP VIEW



BACK VIEW

Pin access from sides



SIDE VIEW

ARCHITECTS SPECIFICATIONS

The Wall Mount shall be a Panasonic model **PANA-103MTV** and shall be located where indicated on the plans. Assembly and installation shall be done according to instructions provided by the manufacturer.