

SF16D  
SF24D

## SMARTMOUNT<sup>®</sup> Display-Specific Flat Wall Mount for up to 71" Displays

The Dedicated line provides display-specific solutions for mounting medium to large sized displays. It is compatible with Peerless-AV's comprehensive inventory of display-specific PLP adaptor plates, ensuring a precise fit for almost any display. Additionally, installers can choose from either a wall plate for 16" stud centers, perfect for any portrait-style applications, or a more versatile wall plate for 16"-24" stud centers. All models ship pre-assembled for fast and easy installation.



Display size: up to 71"



Max load: 200lb (90kg)

### FEATURES

- Measures 1.18" (30mm) from wall, plus thickness of adaptor plate
- Horizontal display adjustment up to 8" (203mm) for centering display on wall
- Easy-Glide™ design ensures display is securely attached to wall plate
- Choose from 16" (406mm) only or 16"-24" (406-610mm) stud center wall plate
- Fits any display-specific PLP or LC adaptor plate
- Model SF16D ships with 19.25" (489mm) wide wall plate, perfect for portrait style installations
- Wall plate knockouts provide wall access, improving cable management options

■ **CABLE MANAGEMENT**  
Wall plate knockouts provide wall access

■ **VIEWING FLEXIBILITY**  
Horizontal display adjustment up to 8" (203mm) for perfect screen positioning



SF24D

■ **EASY-GLIDE™ DESIGN**  
Ensures display is securely attached to wall plate



SF16D ships with 19.25" (489mm) wide wall plate

<b>SF16D</b>	SmartMount® Display-Specific Flat Wall Mount for up to 71" Displays - for up to 16" studs
<b>SF24D</b>	SmartMount® Display-Specific Flat Wall Mount for up to 71" Displays - for up to 24" studs

Product Specifications

	DIMENSIONS (W x H x D)	PRODUCT WEIGHT	LOAD CAPACITY	FINISH	AVAILABLE COLORS
<b>SF16D</b>	19.25" x 9.83" x 1.18" (489 x 250 x 30mm)	5.6lb (2.5kg)	200lb (90kg)	Matte	Black
<b>SF24D</b>	30.75" x 9.83" x 1.18" (781 x 250 x 30mm)	7.1 lb (3.2 kg)			

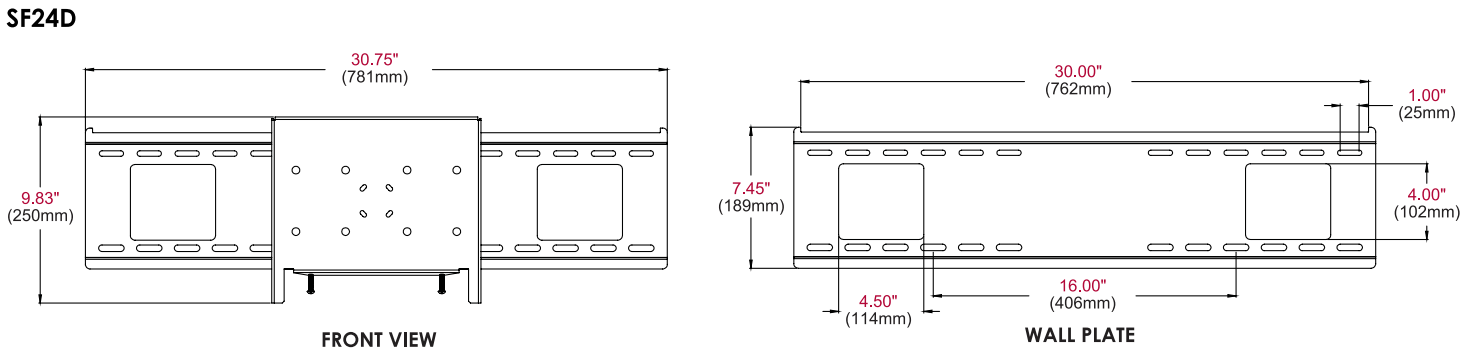
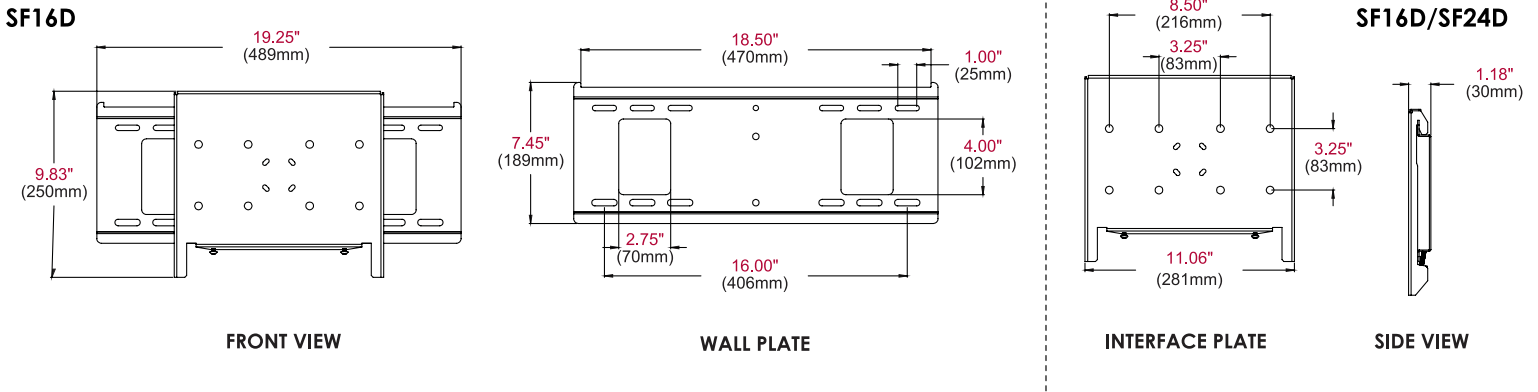
Package Specifications

	PACKAGE SIZE (W x H x D)	PACKAGE SHIP WEIGHT	PACKAGE UPC CODE	PACKAGE CONTENTS	UNITS IN PACKAGE
<b>SF16D</b>	20.25" x 12.25" x 4.25" (514 x 311 x 108mm)	7.4lb (3.4kg)	735029239437	Wall plate, interface plate and hardware	1
<b>SF24D</b>	31.75" x 12.25" x 4.25" (807 x 311 x 108mm)	9.3lb (4.2kg)	735029239420		

Accessories

**PLP/LC models:** PLP or LC Display-Specific Adaptor Plates (Contact Peerless-AV Customer Care for more information.)  
**ACC415:** 4-pack Metal Stud Fastener Kit

All dimensions = inch (mm)



ARCHITECTS SPECIFICATIONS

The Smartmount® Display-Specific Flat Wall Mount shall be a Peerless-AV model SF16D/SF24D and shall be located where indicated on the plans. Assembly and installation shall be done according to instructions provided by the manufacturer.

Peerless Industries, Inc. ■ 2300 White Oak Circle ■ Aurora, IL 60502 ■ (800) 865-2112 ■ (630) 375-5100 ■ Fax: (800) 359-6500 ■ peerless-av.com

Visit peerless-av.com to see the complete line of AV solutions from Peerless-AV, including flat panel mounts, projector mounts, carts/stands, furniture, cables, display cleaners and a full assortment of accessories.