

HYDRA1HDGB

HYDRA Elite Single Monitor Arm

The HYDRA1HDGB monitor arm, expertly designed to securely hold a single display weighing up to 20kg (44lbs) and measuring up to 49". With its innovative head-tilting spring mechanism, you can easily achieve precise and smooth tilt adjustments for optimal viewing angles. Built for both durability and visual appeal, this monitor arm comes in a sleek classic black finish. For your convenience, the top-side installation eliminates the hassle of under-desk access, making setup quick and effortless. Upgrade your workspace with the HYDRA1HDGB and experience enhanced productivity and style.

Features:

- Weight Support 20 kg (44 lbs): easily reposition large curved/flat monitors
- Detachable VESA Plate Design: enables quick installation
- Built-in Cable Management: for an organized and neat workspace
- 360° Rotary VESA Plate: for flexible viewing experience
- Top Side Installation: configure entirely from above the desk surface
- Swivel Ability: for multiple screen viewing angles
- 10 Year Warranty



Specifications

| | | | |
|-------------------------------|------------------------------------|------------------------------|--|
| Model: | • HYDRA1HDGB | VESA Compatible: | • 75x75,100x100 |
| Material: | • Steel, Aluminum, Plastic | Tilt Range: | • +50°~-20° |
| Surface Finish: | • Powder Coating | Swivel Range: | • +90°~-90° |
| Color: | • Black | Screen Rotation: | • +180°~-180° |
| Dimensions: | • 130x573x767mm (5.1"x22.6"x30.2") | Arm Full Extension: | • 482mm (19") |
| Installation: | • Grommet, Clamp | Pole Height: | • 456mm (18") |
| Suggested Screen Size: | • 17"-49" | Suggested Desktop Thickness: | • Clamp:12~45mm (0.47"~1.8") Grommet:12~50mm (0.47"~2") |
| Fit Curved Monitor: | • Yes | Quick Release VESA Plate: | • Yes |
| Screen Quantity: | • 1 | Cable Management: | • Yes |
| Weight Capacity (per screen): | • 2~20kg (4.4lbs~44lbs) | UNSPSC: | • 43212002 |

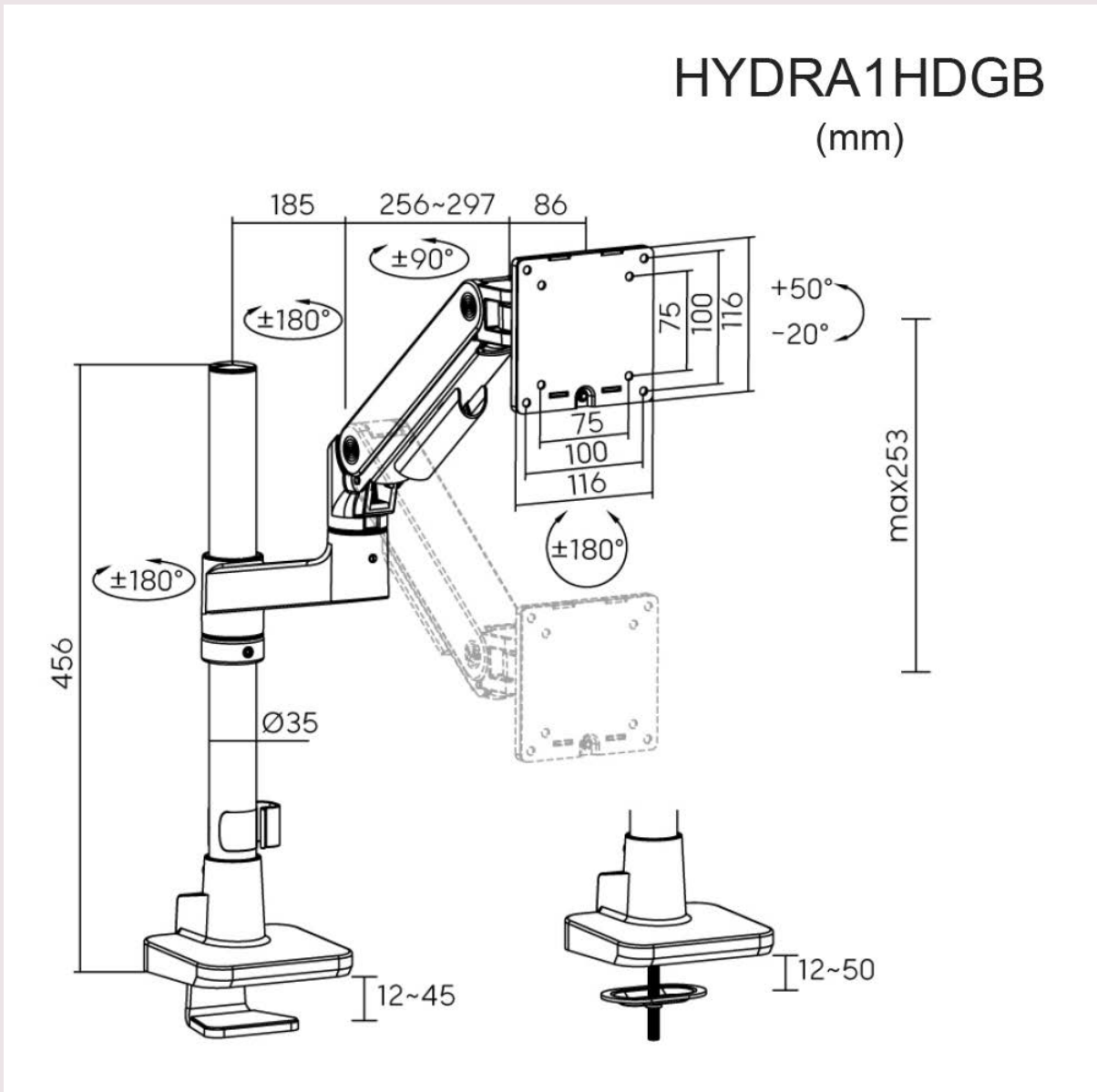
Warranty and Support

Warranty: 10 Years.

Support: Free technical support (phone/email)

HYDRA1HDGB

HYDRA Elite Single Monitor Arm



www.amer.com / www.amermounts.com

sales@amer.com
1-800-262-9703

Specifications subject to change without notice. Errors and omissions excepted. All trademarks are properties of their respective owners.

Revision 1.00